



The new degree of comfort.™



Table top water heaters are a good choice when installations are in kitchens or other work areas that require additional counter space

Table Top Features

- Baked enamel counter top is acid and heat resistant
- Four inch high backsplash protects interior wall from spills and stains
- Recessed base provides comfortable standing area while working
- Channel at rear accommodates piping and permits water heater to fit snugly against back wall
- More hot water at a low operating cost

Efficiency

- .88 EF
- Well insulated for reduced standby heat loss

Performance

- FHR: 45-gallons
- Recovery rate: 21 gallons GPH at a 90 degree rise

Capacity & Dimensions

- 40 Gallon model: 24 inch diameter: 25 inch depth and 36 inches high

Easy Installation & Service

- Table top surface is easily removed for access to cold and hot water outlets at top of tank, electrical connections and anode rod replacement

Longer Life

- Patented magnesium anode rod with resistor protects the tank from rust

Plus...

- Durable direct immersion resistored heating element
- Full-flow, brass drain valve
- Temperature and pressure relief valve
- Standard replacement parts

Warranty

- 6-Year limited tank and parts warranty*

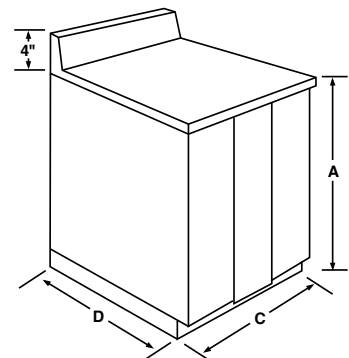
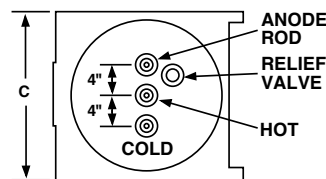
*See Residential Warranty Certificate for complete information

Units meet or exceed ANSI requirements and have been tested according to D.O.E. procedures. Units meet or exceed the energy efficiency requirements of NAECA, ASHRAE standard 90, ICC Code and all state energy efficiency performance criteria.



Table Top Water Heater

Large Counter Surface
40-Gallon Capacity
240 Volt AC/Single Phase
Electric



DESCRIPTION		FEATURES		ROUGHING IN DIMENSIONS (SHOWN IN INCHES)				ENERGY INFO.	
GAL. CAP.	MODEL NUMBER	FIRST HOUR RATING G.P.H.	RECOVERY IN G.P.H. 90° F RISE	HEIGHT A	HEIGHT TO WATER CONN. B	DIAMETER C	DEPTH D	APPROX. SHIP WT. (LBS)	ENERGY FACTOR
40	88H-40D	45	21	36	33	24	25	156	0.88

Energy Factor based on D.O.E. (Department of Energy) test procedures.

- Heaters furnished with standard 240 volt AC, single phase non-simultaneous wiring, and 4500 watt upper and lower heating elements.
- **If heating elements of different wattages than those shown are demanded by zone requirements, they must be specifically requested.**
- Special Wiring Options – A limited number of special wiring options are available. Consult factory for price and availability.

In keeping with its policy of continuous progress and product improvement, Rheem reserves the right to make changes without notice.

Rheem Water Heating • 101 Bell Road
Montgomery, Alabama 36117-4305 • www.rheem.com

Rheem Canada Ltd./Ltée • 125 Edgeware Road, Unit 1
Brampton, Ontario L6Y 0P5 • www.rheem.com

