

# Instruction Sheet for Manufactured Home DV Co-Axial Kit

## MANUFACTURED HOME FACTORY INSTALLATION INSTRUCTIONS AND TRANSPORTATION SET-UP

**⚠ WARNING! THIS HOME HAS BEEN SHIPPED WITH AN INCOMPLETE WATER HEATER VENTING SYSTEM FOR TRANSPORTATION USE ONLY. DO NOT CONNECT THE FUEL SUPPLY TO THE HOME OR ATTEMPT TO OPERATE THE WATER HEATER BEFORE COMPLETION OF THE INSTALLATION OF THE UPPER ROOF JACK MODULE (ROOF JACK CARTON STORED INSIDE HOME). FAILURE TO REMOVE TRANSPORTATION MODE RAIN CAP AND TO INSTALL UPPER ROOF JACK MODULE MAY RESULT IN FIRE, EXPLOSION OR ASPHYXIATION.**

- 1 Inspect shipment.** Inspect the contents of the kit for possible damage. Verify the quantity of the components in the kit. The kit includes: (A) 1- Co-Axial Roof Jack; (B) 3- Plastic Lock Ties; (C) 1- Rain Cap; (D) 1- Co Axial Kit Instruction Sheet; (E) 3- Warning Tag Labels and (F) 1- Carton Warning Label. Please report any shortage to your local distributor or contact 1-800-432-8373 to get a replacement part. (See Figure 1)

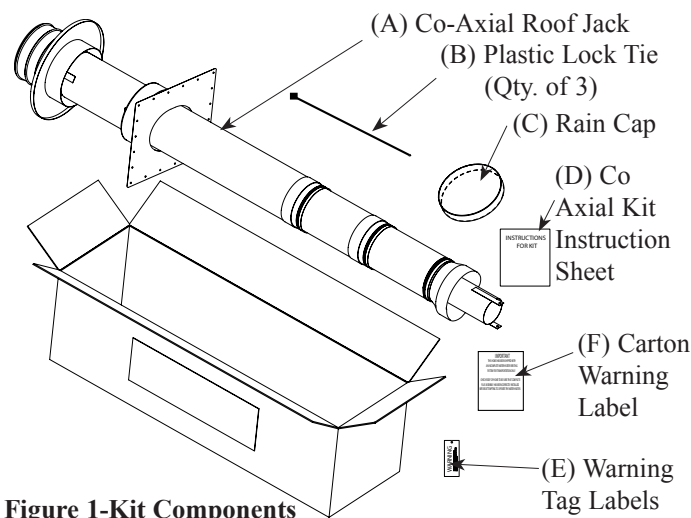


Figure 1-Kit Components

- 2** The (3) "Warning Tag Labels" should be attached with the plastic lock tie in the following locations:
- (1) Gas Line Outside of Manufactured Home
  - (2) Master Shutoff Valve to Home
  - (3) Gas Valve on Water Heater
- 3 Locating Clearance Hole for Vent Cutout.** Cut a 7 1/4" diameter hole in the ceiling and roof directly above the flue of the water heater.

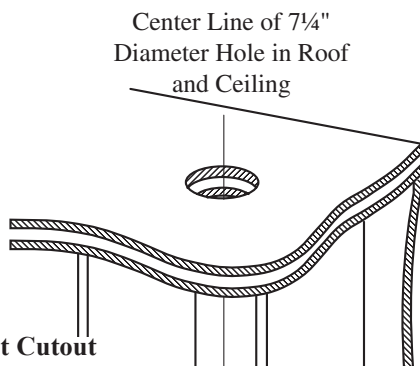


Figure 2 -Vent Cutout

- 4 Placement of water heater.** Locate and install the water heater following the instructions in the Use and Care Manual, make certain the minimum clearances outlined in the Use and Care Manual are observed.
- 5 Selecting the roof jack module.** The Co-axial vent roof jack is divided into two modules. The lower module (See Figure. 4) should be installed on the water heater at the factory location. The upper roof jack module (See Figure. 3) should remain in the co-axial carton box and shipped inside the manufactured home for assembly and setup at the permanent location of the home.

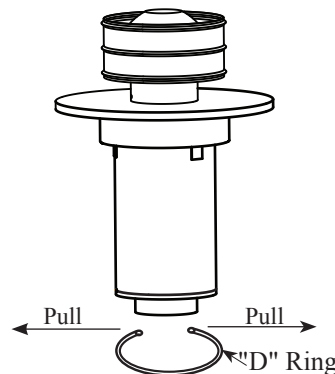


Figure 3 -Upper Roof Jack Module

**A.** Disassemble the upper roof jack module by expanding the "D" ring as shown in Figure 3. **DO NOT** remove the silicone band attached to the 3" pipe; it will be used for final assembly at the permanent location of the home.

**B.** Install the rain cap on the lower roof jack module with the supplied "D" ring.

**C.** Place the upper roof jack module back into the carton. Seal the carton with the bright orange Carton Warning Label (F) supplied. Make sure the carton box ships with the manufactured home for final assembly of the vent system at the permanent location of the home.

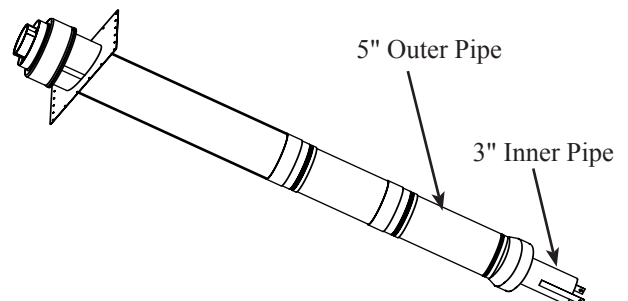


Figure 4 - Lower Roof Jack Module

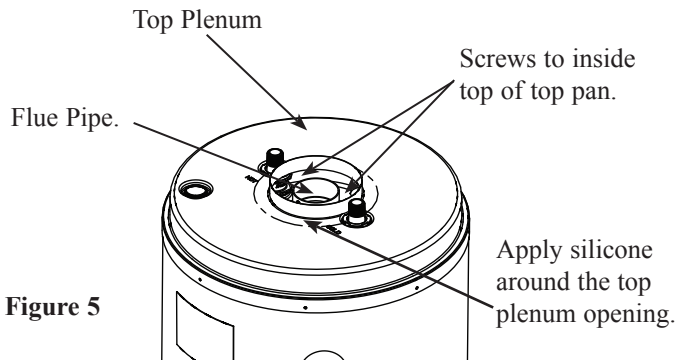
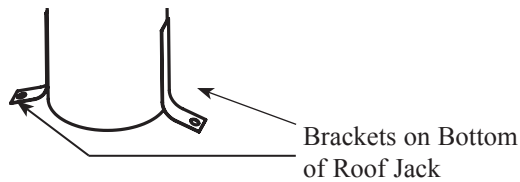


Figure 5

- 6 Lower Roof Jack Module Installation.** Install the lower roof jack module into the roof. The 3" inner pipe is supplied with two brackets attached at the lower end of the pipe to attach it to the top pan.(See Figure 4)

**A.** Apply silicone around the outside of the flue pipe where the 3" inner pipe will be installed. (See Figure 5) Remove the tape that secures the 3" inner pipe. Extend the 3" inner pipe by pulling it downward and pressing it into the silicone applied earlier to ensure a good seal.

**B.** Secure the 3" inner pipe to the top pan by inserting two #8 x 3/8" long screws through the brackets that have been bent as shown in Figure 5, on each side. (See Figure. 5)

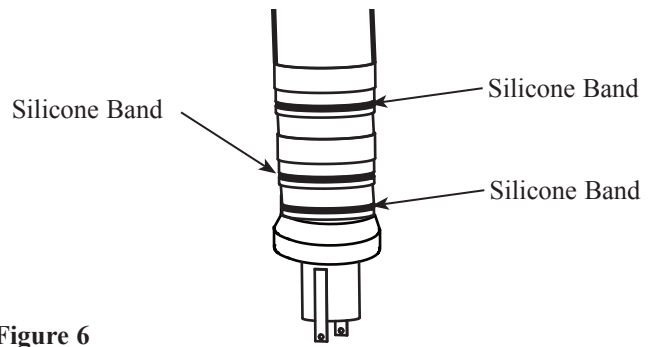


Figure 6

- 7** Ensure the silicone bands are properly installed at the joints of each 3" pipe section. Make sure all pipe sections have a silicone band before proceeding. Silicone rubber sealing bands are provided and must be pulled down over the joints between the tubes to ensure a leak proof seal.
- 8** Remove the tape that is attached to the 5" outer pipe. Extend the 5" outer pipe by pulling it downward. Connect the 5" outer pipe to the top plenum (See Figure 5) and secure it with two SM screws supplied with the vent kit. Apply silicone to the top plenum connection as shown in Figure 5
- 9** Ensure the silicone bands are properly installed at the joints of each 5" pipe section. Make sure all pipe sections have a silicone band before proceeding. Silicone rubber sealing bands are provided and must be pulled down over the joints between the tubes to ensure a leak proof seal.
- 10** Apply a non-hardening mastic on the roof around the previously cut hole to form a weather tight seal with the roof flange of the Co-Axial Roof Jack Assembly. Insert the Co-Axial Roof Jack through the

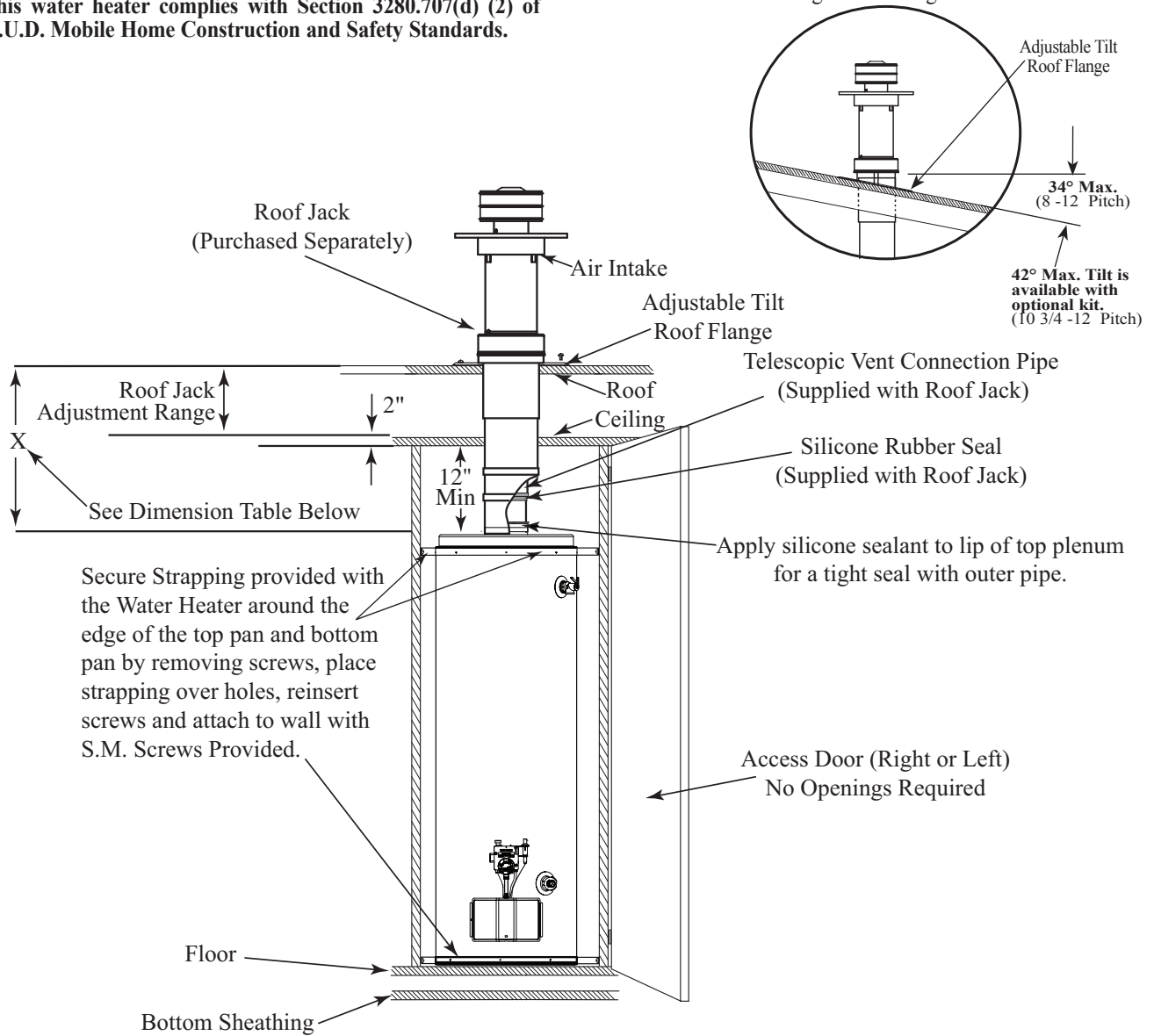
# Illustration of Completed Installation

This appliance must be installed in accordance with the Manufactured Home Construction and Safety Standard (Title 24, CFR; Part 3280), the following instructions, local codes and utility company requirements governing the installation of water heaters in manufactured homes (mobile homes), and/or in the absence of local codes, the latest edition of The National Fuel Gas Code, ANSI Z223.1.

This water heater complies with Section 3280.707(d) (2) of H.U.D. Mobile Home Construction and Safety Standards.

NOTICE - All sizes of Co-Axial Roof Jack Assembly have an adjustable tilt Roof Flange to accommodate installation on a pitched roof. Maximum roof pitch is 8-12. For roof pitches greater than 8-12 an alternate roof jack can be purchased. The use of a "wedge" under the roof flange is acceptable provided it is sealed and secured.

NOTICE: 12" Minimum recommended distance from the top of the water heater to the ceiling for servicing the water heater.



Secure Strapping provided with the Water Heater around the edge of the top pan and bottom pan by removing screws, place strapping over holes, reinsert screws and attach to wall with S.M. Screws Provided.

Co-Axial Roof Jack Sizing Table

34° Max. (8-12 Pitch) Roof Jack Kit Part Number	42° Max. (10 3/4-12 Pitch) Roof Jack Kit Part Number	Roof Jack Adjustment Range (See Dimension X)
AP14363A	AP14334A	24 - 37 Inches
AP14363B	AP14334B	33 - 68 Inches
AP14363C	AP14334C	45 - 97 Inches
AP14363D	AP14334D	60 - 130 Inches
AP14363E	AP14334E	72 - 160 Inches

Please note that the roof jack shown above is for illustration purposes only and may not resemble the actual unit in your kit.