

PERFORMANCE™



The new degree of comfort.™

The PERFORMANCE™ Table Top water heater is a good choice for kitchen installations or other work areas that require additional counter space

Table Top Features

- Baked enamel counter top is acid and heat resistant
- Four inch high backsplash protects interior wall from spills and stains
- Recessed base provides comfortable standing area while working
- Channel at rear accommodates piping and permits water heater to fit snugly against back wall
- More hot water at a low operating cost

Efficiency

- .81 UEF
- Well insulated for reduced standby heat loss

Performance

- FHR: 50 gallons
- Recovery rate: 21 gallons GPH at a 90 degree Fahrenheit rise

Easy Installation & Service

- Table top surface is easily removed for access to cold and hot water outlets at top of tank, electrical connections and anode rod replacement

Longer Life

- Patented magnesium anode rod protects the tank from rust

Plus...

- Durable direct immersion resistored heating element
- Temperature and pressure relief valve
- Standard replacement parts

Warranty

- 6-Year limited warranty for tank and parts, 1-year full in-home labor warranty*

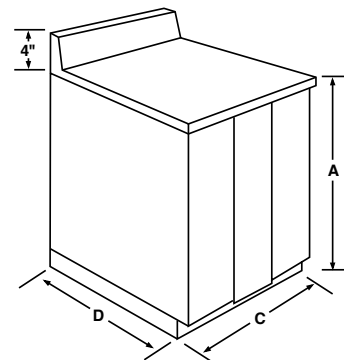
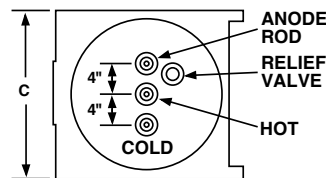
*See written warranty for complete details

Units meet or exceed ANSI requirements and have been tested according to D.O.E. procedures. Units meet or exceed the energy efficiency requirements of NAECA, ASHRAE standard 90, ICC Code and all state energy efficiency performance criteria.



PERFORMANCE Table Top Water Heater

Large Counter Surface
40-Gallon Capacity
240 Volt AC/Single Phase



PERFORMANCE™ Electric Table Top Specifications

Fuel Type	Description	Nominal Gallon Capacity	Rated Gallon Capacity	Model Number	Recovery in G.P.H. 90° F Rise	First Hour Rating G.P.H.	Height A	Height to Water Conn. B	Diameter C	Depth D	Ship Weight (LBS.)	Energy Factor	Uniform Energy Factor (UEF)
Electric	Table Top	40	36	XE40H06TT45U0	21	50	36	33	24	25	156	0.88	0.81

Uniform Energy Factor, Energy Factor and rated gallon capacity based on Department of Energy (DOE) requirements.

• Heaters furnished with standard 240 volt AC, single phase non-simultaneous wiring, and 4500 watt upper and lower heating elements.

In keeping with its policy of continuous progress and product improvement, Rheem reserves the right to make changes without notice.

Rheem Water Heating • 101 Bell Road
Montgomery, Alabama 36117-4305 • www.rheem.com