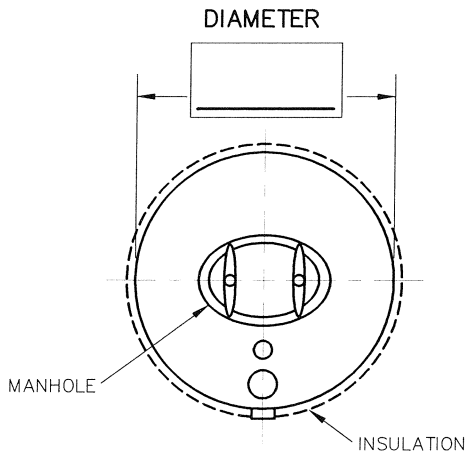


*Raypak* 11/11/13

TANK DIA. IN.	B HEAD DEPTH IN.
24	7.5
30	9.0
36	10.5
42	12.0
48	14.5
54	15.0
60	16.5
66	18.0
72	19.5
84	22.5
96	25.5



JOB NAME

JOB LOCATION

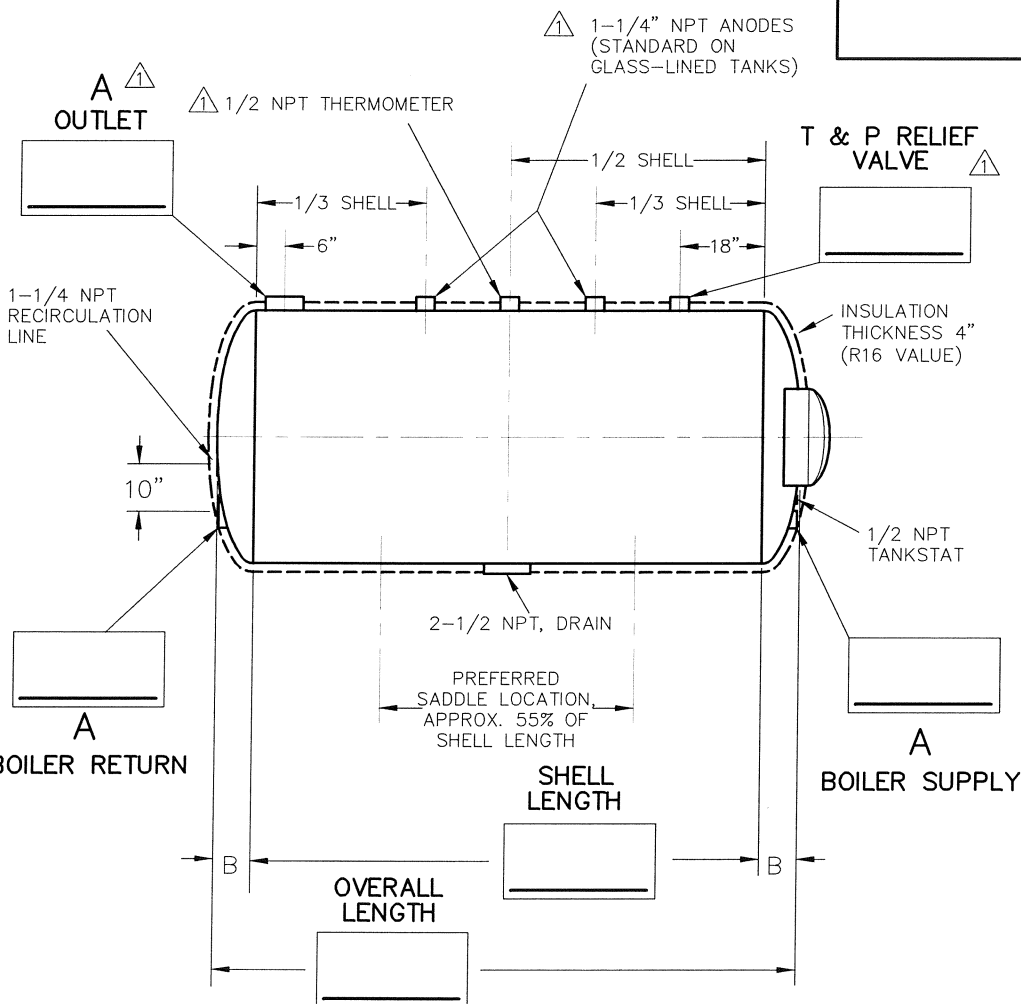
BUYER

BUYER ADDRESS

RAYPAK QUOTE NO.

DATE

SUBMITTAL PREPARED BY



- △ REQUIRES EXTENDED COUPLING OR FLANGED CONNECTIONS.
- 2. FOR MAINTENANCE INSTRUCTIONS, SEE INSTRUCTION SHEET 241355.
- 3. FOR OUTDOOR RAYPAK RECOMMENDS INORGANIC ZINC PRIMER.

ACAD: 8074. DWG

TANK SPECIFICATIONS	QUANTITY:
	GALLONS:
	125 PSI W.P.:
	150 PSI W.P.:
	MANHOLE:
LINING	HANDHOLE:
	2" INSPECT. PLUG:
	MAGNESIUM ANODES:
SPECIAL NOTES	EPOXY:
	GLASS:
	CEMENT:
	OTHER:



PRODUCT LINE:

TANK-HOT WATER STORAGE CUSTOM ASME HORIZONTAL, R16 INSULATED

SCALE: NONE

DATE: 11-6-13

DRAWING NO.: 8074

CATALOG NO. 4000.96K

REPLACES 4000.96J