

COMMERCIAL and POOL  
MODELS: 302C THROUGH 902C

CATALOG NO. 9300.753  
Effective: 12-01-17  
Replaces: 12-01-16

# RAYPAK REPLACEMENT PARTS

**MODEL SIZES: 302C, 402C, 502C, 652C, 752C & 902C**  
**MODEL TYPES: HI DELTA H, WH & P**  
DATES OF MANUFACTURE: 02-01-17 THROUGH CURRENT

THE PARTS LISTED ARE FOR STANDARD EQUIPMENT FOR THIS MODEL TYPE. RAYPAK RESERVES THE RIGHT TO SUBSTITUTE, DELETE OR CHANGE ANY PART WITHOUT NOTIFICATION. THE ADDITION OF OPTIONS MAY ALSO CHANGE SOME OF THE PARTS. ORDER REPLACEMENT PARTS FROM ACTUAL HEATER COMPONENTS.

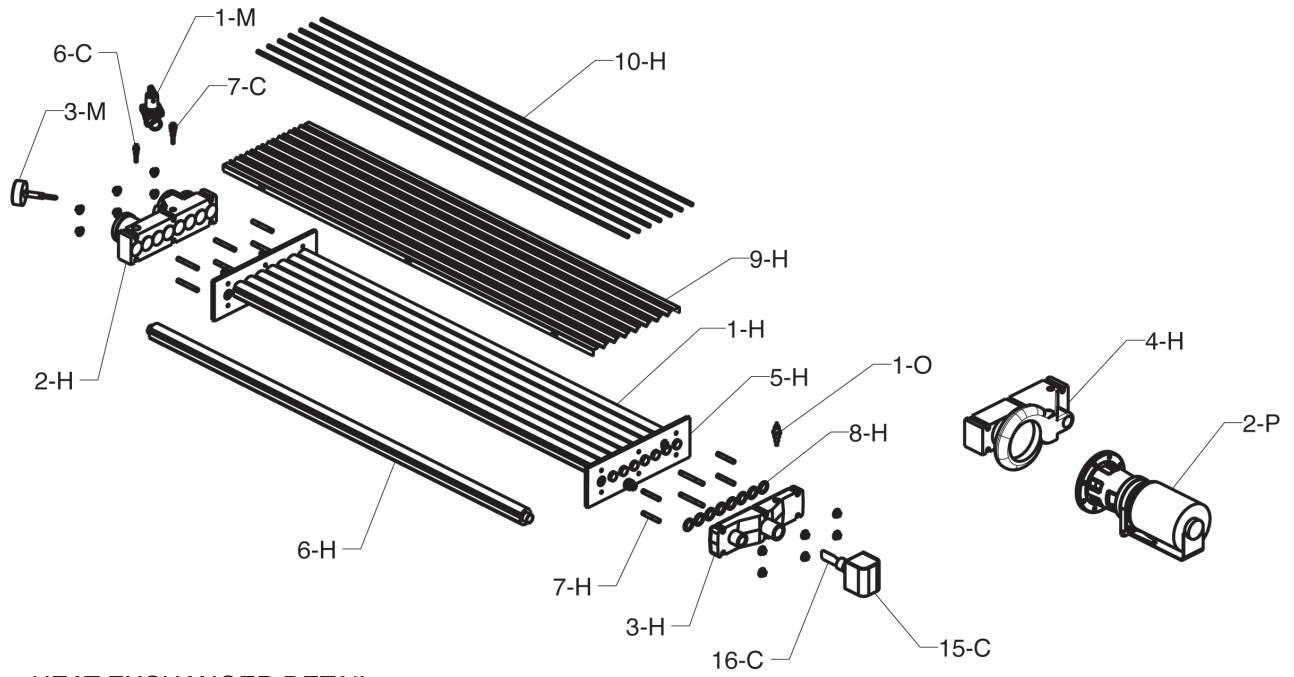


FOR DETAILED INSTRUCTIONS, SEE "HOW TO USE YOUR RAYPAK ILLUSTRATED PARTS LIST",  
CATALOG NO. 9001.10

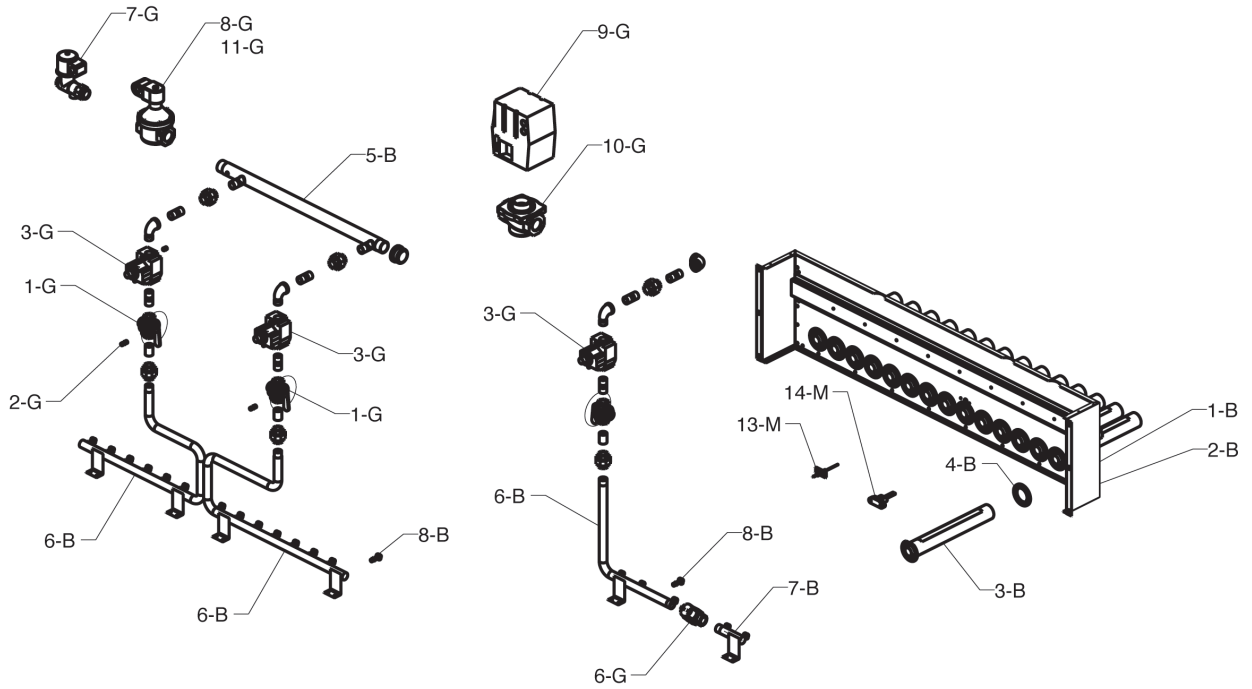


Raypak, Inc., 2151 Eastman Avenue, Oxnard, CA 93030  
(805) 278-5300 Fax (800) 872-9725  
Litho In U.S.A.  
P/N 241685

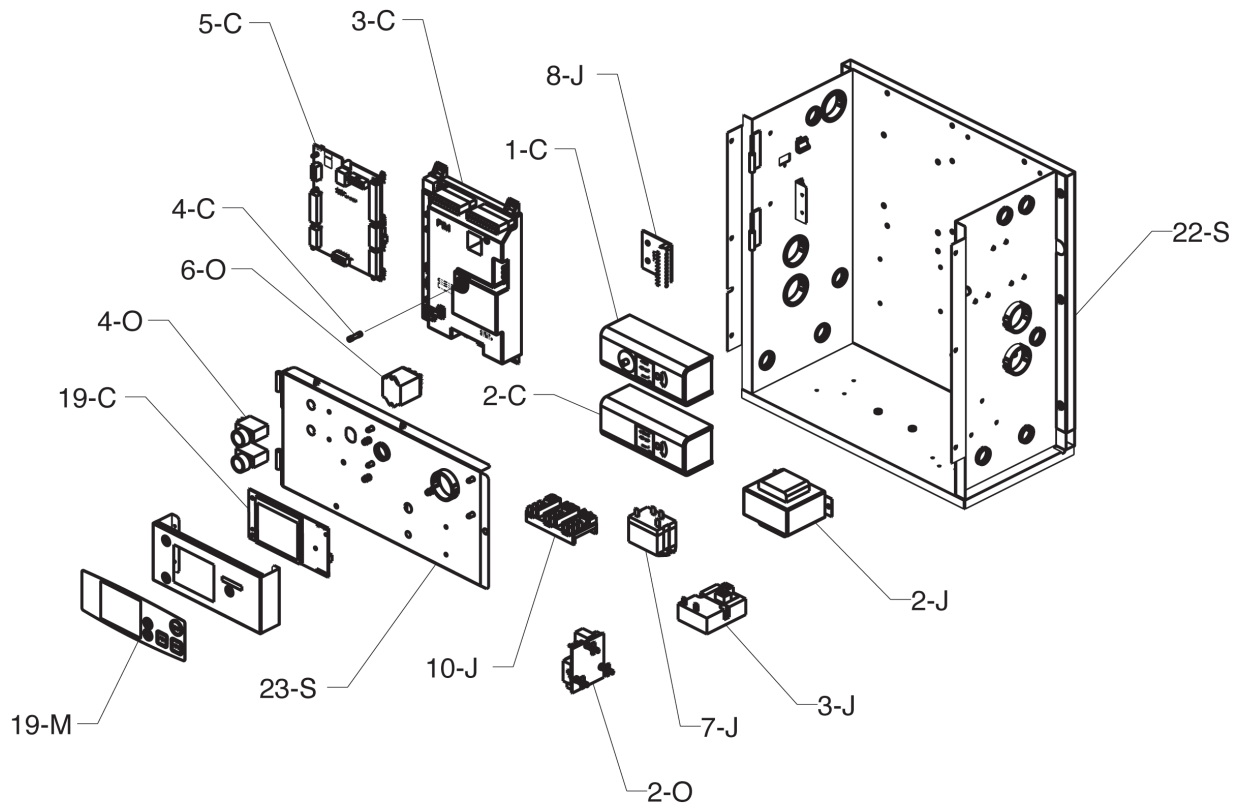




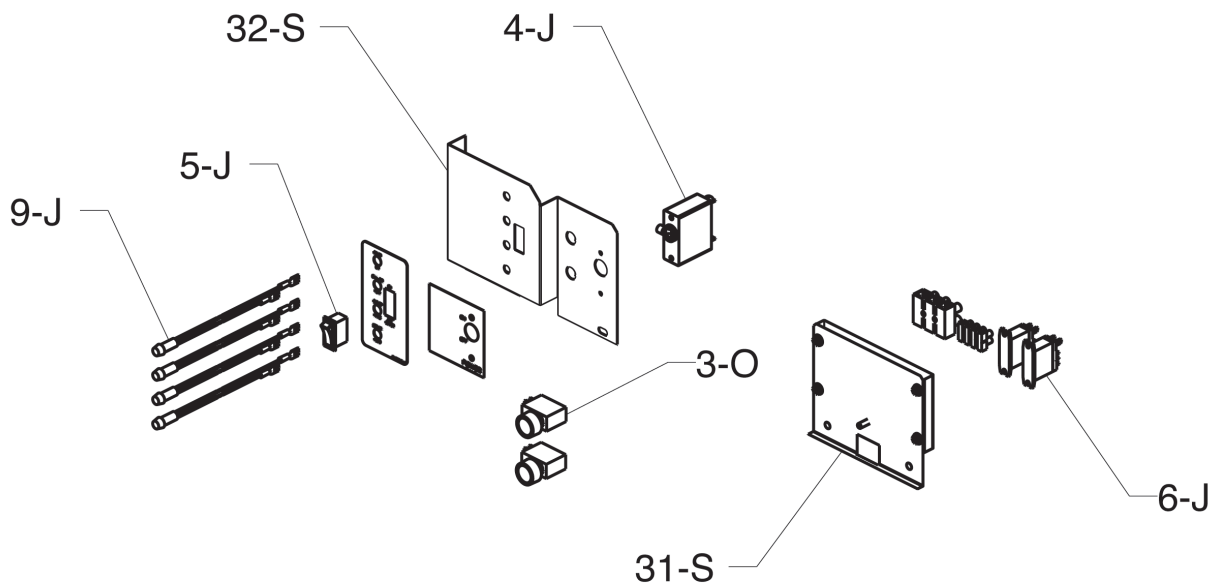
HEAT EXCHANGER DETAIL



BURNER ASSEMBLY DETAIL



CONTROL BOX DETAIL



FRONT SWITCH DETAIL

CALL OUT	DESCRIPTION	302C	402C	502C	652C	752C	902C
<b>B</b>	<b>BURNER ASSEMBLY</b>						
1-B	Burner Assy w/Burners	009717F	009718F	009719F	009720F	009721F	009722F
2-B	Burner Mounting Assy	009723F	009724F	009725F	009726F	009727F	009728F
3-B	Burner	007442F/6	007442F/8	007442F/10	007442F/13	007442F/15	007442F/18
4-B	Seal Gasket	007443F	007443F	007443F	007443F	007443F	007443F
5-B	Manifold Upper	N/A	N/A	007444F	007444F	007444F	007445F
6-B	Manifold Lower	007446F	007447F	007448F	007449F	007450F	007451F
7-B	Manifold Lower Split	008920F	008917F	N/A	N/A	N/A	N/A
8-B	Burner Orifice * (All Elevations)						
	Natural Gas 1.9 mm	351414 / 6	351414 / 8	351414 / 10	351414 / 13	351414 / 15	351414 / 18
	Natural Gas #44 (Low Gas Pressure)	351640 / 6	351640 / 8	351640 / 10	351640 / 13	351640 / 15	351640 / 18
	Propane Gas # 57	351442 / 6	351442 / 8	351442 / 10	351442 / 13	351442 / 15	351442 / 18
<b>C</b>	<b>CONTROLS</b>						
1-C	Manual Reset Adjustable High Limit 240°F Max	007144F	007144F	007144F	007144F	007144F	007144F
	Manual Reset Adjustable High Limit 200°F Max	008081F	008081F	008081F	008081F	008081F	008081F
	Manual Reset Adjustable High Limit 180°F Max	009554F	009554F	009554F	009554F	009554F	009554F
2-C	Auto Reset Adjustable High Limit 240°F Max	007141F	007141F	007141F	007141F	007141F	007141F
	Auto Reset Adjustable High Limit 200°F Max	012546F	012546F	012546F	012546F	012546F	012546F
	Auto Reset Adjustable High Limit 180°F Max	006445F	006445F	006445F	006445F	006445F	006445F
3-C	PIM (Platform Ignition Module) Multi Try	015997F	015997F	015997F	015997F	015997F	015997F
	PIM (Platform Ignition Module) Single Try CSD-1	015998F	015998F	015998F	015998F	015998F	015998F
4-C	Fuse 5 Amp (Fast Acting)	013971F	013971F	013971F	013971F	013971F	013971F
5-C	PC Board VERSA IC	013935F	013935F	013935F	013935F	013935F	013935F
6-C	Inlet Sensor (2 Wire)	013175F	013175F	013175F	013175F	013175F	013175F
7-C	Outlet/Limit Sensor (4 Wire)	013932F	013932F	013932F	013932F	013932F	013932F
8-C	System Water Sensor 10K	010787F	010787F	010787F	010787F	010787F	010787F
9-C	Indirect DHW Sensor 10K	010787F	010787F	010787F	010787F	010787F	010787F
10-C	Indirect Tank Aquastat Control B-65	007148F	007148F	007148F	007148F	007148F	007148F
11-C	Gateway BACnet Interface Module B-85	016617F	016617F	016617F	016617F	016617F	016617F
12-C	Gateway LonWorks Interface Module B-86	016618F	016618F	016618F	016618F	016618F	016618F
13-C	Sensor Outdoor Air B-32	010786F	010786F	010786F	010786F	010786F	010786F
15-C	Flow Switch	007142F	007142F	007142F	007142F	007142F	007142F
16-C	Flow Switch Paddle	010026F	010026F	010026F	010026F	010026F	010026F
17-C	Switch Air Pressure (Blocked Vent)	007158F	007158F	007158F	007158F	007158F	007158F
18-C	Switch Air Pressure Differential (Blower)	008171F	008171F	008171F	008171F	008171F	008171F
19-C	LCD Display PC Board	013939F	013939F	013939F	013939F	013939F	013939F
<b>F</b>	<b>FAN</b>						
1-F	Blower Combustion Air	007413F	007413F	007414F	007414F	007414F	007414F
2-F	Air Shutter	009618F	009618F	009618F	009618F	009618F	009618F
3-F	Intake Flange (TruSeal)	009697F	009697F	011746F	009697F	009697F	009697F
4-F	Hose Duct 4"	N/A	N/A	007417F	N/A	N/A	N/A
	Hose Duct 6"	007420F	007420F	007420F	007420F	007420F	007420F
5-F	Filter Media 8 x 8	009730F	009730F	009730F	009730F	009730F	009730F
<b>G</b>	<b>GAS VALVES**</b>						
1-G	Valve Gas Manual A 3/4"	007421F	007421F	007421F	007421F	007421F	007421F
2-G	Bleedle Valve 1/4" CMP	007422F	007422F	007422F	007422F	007422F	007422F
	Bleedle Valve 1/8" MPT	007423F	007423F	007423F	007423F	007423F	007423F
3-G	Gas Valve On/Off Nat 3/4"	See Gas Valve Replacement Chart					
	Gas Valve On/Off Pro 3/4"	See Gas Valve Replacement Chart					
	Gas Valve On/Off Nat 3/4" (G-20 Low Gas Pressure)	N/A	007666F	N/A	007666F	007666F	N/A
4-G	Switch Low Gas Pressure w/o Bracket (Optional)	007187F	007187F	007187F	007187F	007187F	007187F
5-G	Switch High Gas Pressure w/o Bracket (Optional)	007188F	007188F	007188F	007188F	007188F	007188F
6-G	Solenoid Gas Valve	008407F	008407F	N/A	N/A	N/A	N/A
7-G	Vent Valve (G-2 & M15 Vent Valve Option)	N/A	N/A	011913F	011913F	011913F	011913F
8-G	Solenoid Safety Shut Off Valve (G-2 Vent Valve Option)	N/A	N/A	011910F	011910F	011910F	011910F
9-G	Motorized Safety Shut Off Actuator M-1(Optional)	N/A	N/A	011908F	011908F	011908F	011908F
10-G	Gas Valve Body M1 (Optional)	N/A	N/A	014015F	014015F	014015F	014015F
11-G	Solenoid Safety Shut Off Valve M-10 (Optional)	N/A	N/A	011910F	011910F	011910F	011910F

\* DO NOT re-orifice for elevations above 4500ft. Consult the factory for changes required for proper combustion at elevations above 4500ft.

\*\*For units provided with flex gas option see Catalog 1000.58.

CALL OUT	DESCRIPTION	302C	402C	502C	652C	752C	902C
<b>H</b>	<b>HEAT EXCHANGER</b>						
1-H	Heat Exch Cast Iron	016427F	016428F	016429F	016430F	016431F	016432F
	Heat Exch Brass	016433F	016434F	016435F	016436F	016437F	016438F
	Heat Exch Cast Iron w/Pump Hdr	016439F	016440F	016441F	016442F	016443F	016444F
	Heat Exch Brass w/Pump Hdr	016445F	016446F	016447F	016448F	016449F	016450F
	Heat Exch Cast Iron Cupro Nickel	016451F	016452F	016453F	016454F	016455F	016456F
	Heat Exch Cast Iron Cupro Nickel with Steel Rod Baffles *	016404F	016405F	016406F	016407F	016408F	016409F
	Heat Exch Brass Cupro Nickel	016457F	016458F	016459F	016460F	016461F	016462F
	Heat Exch Brass Cupro Nickel with Steel Rod Baffles *	016327F	016328F	016329F	016330F	016331F	016332F
	Heat Exch Cast Iron w/Pump Hdr Cupro Nickel	016463F	016464F	016465F	016466F	016467F	016468F
	Heat Exch Cast Iron w/Pump Hdr Cupro Nickel & Steel Rods Baffles *	016416F	016417F	016418F	016419F	016420F	016421F
	Heat Exch Brass w/Pump Hdr Cupro Nickel	016469F	016470F	016471F	016472F	016473F	016474F
	Heat Exch Brass w/Pump Hdr Cupro Nickel & Steel Rods Baffles *	016339F	016340F	016341F	016342F	016343F	016344F
2-H	Inlet/Outlet Header Cast Iron	016475F	016475F	016475F	016475F	016475F	016475F
	Inlet/Outlet Header Brass	016476F	016476F	016476F	016476F	016476F	016476F
3-H	Return Header Cast Iron	007502F	007502F	007502F	007502F	007502F	007502F
	Return Header Brass	007503F	007503F	007503F	007503F	007503F	007503F
4-H	Return Pump Header Cast Iron	007504F	007504F	007504F	007504F	007504F	007504F
	Return Pump Header Brass	007505F	007505F	007505F	007505F	007505F	007505F
5-H	Tube Bundle	007506F	007507F	007508F	007509F	007510F	007511F
	Tube Bundle Cupro Nickel	007512F	007513F	007514F	007515F	007516F	007517F
	Tube Bundle Cupro Nickel with Steel Rod Baffles *	016349F	016350F	016351F	016352F	016353F	016354F
6-H	Heat Exchange Tube	007518F	007519F	007520F	007521F	007522F	007523F
	Heat Exchange Tube Cupro Nickel	007524F	007525F	007526F	007527F	007528F	007529F
7-H	Stud Bolt Kit	007536F	007536F	007536F	007536F	007536F	007536F
	Stud Bolt Kit w/Pump Header	007537F	007537F	007537F	007537F	007537F	007537F
8-H	Header Gasket	800001B	800001B	800001B	800001B	800001B	800001B
9-H	Baffle Kit "WH" and "P" units only	007530F	007531F	007532F	007533F	007534F	007535F
10-H	Steel Rod Baffle Kit "WH" units only *	016315F	016316F	016317F	016318F	016319F	016320F
11-H	Sensor Well	007211F	007211F	007211F	007211F	007211F	007211F
12-H	Well Retaining Clip	300203	300203	300203	300203	300203	300203
<b>J</b>	<b>CONTROL BOX</b>						
1-J	Control Box	N/A	N/A	N/A	N/A	N/A	N/A
2-J	Transformer 100 VA	007494F	007494F	007494F	007494F	007494F	007494F
3-J	Time Delay Contactor	008921F	008921F	008921F	008921F	008921F	008921F
4-J	Automatic Shut Down Breaker Switch 30 AMP	007380F	007380F	007380F	007380F	007380F	007380F
5-J	On/Off Switch Rocker	006872F	006872F	006872F	006872F	006872F	006872F
6-J	Pump Dry Contact Relay 120V	012126F	012126F	012126F	012126F	012126F	012126F
7-J	Pump Relay 120V	008977F	008977F	008977F	008977F	008977F	008977F
8-J	PC Board Adapter Status Lights Wiring	014712F	014712F	014712F	014712F	014712F	014712F
9-J	Indicator Lamp	011848F	011848F	011848F	011848F	011848F	011848F
10-J	Terminal Block w / Ground Lug	008523F	008523F	008523F	008523F	008523F	008523F
<b>M</b>	<b>MISCELLANEOUS</b>						
1-M	PRV 30 PSI	007470F	007470F	007217F	007218F	007218F	007748F
	PRV 45 PSI	007220F	007220F	007220F	007346F	007221F	007221F
	PRV 60 PSI	007222F	007222F	007222F	007222F	007222F	007222F
	PRV 75 PSI	007223F	007223F	007223F	007223F	007223F	007223F
	PRV 125 PSI	011912F	011912F	011912F	007224F	007224F	007224F
	PRV 150 PSI	007225F	007225F	007225F	007225F	007225F	007225F
2-M	Delimiting Kit	052870F	052870F	052870F	052870F	052870F	052870F
3-M	T & P Gauge 0-90 PSI	007205F	007205F	007205F	007205F	007205F	007205F
	T & P Gauge 0-200 PSI	007399F	007399F	007399F	007399F	007399F	007399F
	T & P Gauge 0-230 PSI	014221F	014221F	014221F	014221F	014221F	014221F
4-M	Thermostatic Converter diverting valve Sparco	009076F	009076F	009077F	009077F	009077F	009078F
5-M	Gasket diverting (Pool)	009079F	009079F	009080F	009080F	009080F	009081F
6-M	RTV Sealant 2.8 oz	008924F	008924F	008924F	008924F	008924F	008924F
	RTV Sealant 10 oz	005755F	005755F	005755F	005755F	005755F	005755F
7-M	Sealant Tape (gray) Specify Length	800351	800351	800351	800351	800351	800351
8-M	Fiberfrax Insulation 1" Wide	008406F	008406F	008406F	008405F	008405F	008405F
9-M	Flue Exhaust Tee Seal Gasket	009734F	009735F	009735F	009736F	009736F	009736F
10-M	Flue Exhaust Adapter Seal Gasket	009737F	009738F	009738F	009739F	009739F	009739F
11-M	Intake Air Seal Gaskets (TruSeal)	010028F	010028F	010028F	010028F	010028F	010028F
12-M	Window Combustion Chamber	006947F	006947F	006947F	006947F	006947F	006947F
13-M	Flame Sensor	006535F	006535F	006535F	006535F	006535F	006535F
14-M	Igniter	007400F	007400F	007400F	007400F	007400F	007400F
15-M	Touch-up Paint						
	Green	750125	750125	750125	750125	750125	750125
	Cool Dark Gray	750256	750256	750256	750256	750256	750256
16-M	Sight Window Plug	008474F	008474F	008474F	008474F	008474F	008474F
17-M	Gas Manifold Grommet 3/4" NPT	010778F	010778F	010778F	010778F	010778F	010778F
18-M	Gas Manifold Grommet 1-1/4" NPT	N/A	N/A	010779F	010779F	010779F	010779F
19-M	Switch/Decal Membrane	013937F	013937F	013937F	013937F	013937F	013937F

\* Product with steel rod baffles are for WH water heaters only and manufactured from 4/1/17



CALL OUT	DESCRIPTION	302C	402C	502C	652C	752C	902C
<b>O</b>	<b>OPTIONS</b>						
1-O	Remote Sensor (LWCO)	007228F	007228F	007228F	007228F	007228F	007228F
2-O	Control PC Board (LWCO)	007157F	007157F	007157F	007157F	007157F	007157F
3-O	Test / Reset Switch (LWCO)	005641F	005641F	005641F	005641F	005641F	005641F
4-O	Silencer/Reset Switch (Alarm)	005641F	005641F	005641F	005641F	005641F	005641F
5-O	Alarm Bell 3" 24V	005642F	005642F	005642F	005642F	005642F	005642F
	Alarm Bell 4" 24V	005643F	005643F	005643F	005643F	005643F	005643F
6-O	Relay 3PDT 24 VAC (Alarm)	014717F	014717F	014717F	014717F	014717F	014717F
<b>P</b>	<b>PUMPS *</b>						
1-P	Inline Pumps (H & WH)						
	Bronze (Soft Water)	016477F	016477F	016477F	016477F	016477F	007226F
	Bronze (Medium Water)	007226F	007226F	007226F	007226F	007347F	007347F
	Bronze (Hard Water)	007347F	007347F	007347F	007347F	007349F	007349F
	Inline Pumps (H)						
	CI (Soft Water /Standard)	016478F	016478F	016478F	016478F	016478F	007232F
	CI (Medium Water /Alternate 1)	007232F	007232F	007232F	007232F	007353F	007353F
	CI (Hard Water /Alternate 2)	007353F	007353F	007353F	007353F	007355F	007355F
2-P	Integral Return Header Mounted Pump (H & WH)						
	4.0 Impeller	N/A	N/A	009296F	009296F	N/A	009296F
	4.25 Impeller	N/A	N/A	N/A	N/A	004844F	N/A
	4.7 Impeller	004845F	004845F	004845F	004845F	N/A	004845F
	Pumps for (P) Pool Heaters						
	Inline Pumps	016479F	016479F	N/A	N/A	N/A	N/A
	Integral Return Header Mounted Pump	N/A	N/A	004845F	004845F	004845F	004845F
3-P	Pump Cartridge Taco 0012	016480F	016480F	016480F	016480F	016480F	N/A
4-P	Pump Gasket Taco 0012	008747F	008747F	008747F	008747F	008747F	N/A
5-P	Pump Flange Gasket Taco 1600 Series	008749F	008749F	008749F	008749F	013423F	013423F
<b>R</b>	<b>REFRACTORY</b>						
1-R	Refractory Kit (All Panels)	007401F	007402F	007403F	007404F	007405F	007406F
2-R	Refractory Front Panels	007407F	007408F	007409F	007410F	007411F	007412F
3-R	Refractory Blanket	009863F	009864F	009865F	009866F	009867F	009868F
<b>S</b>	<b>SHEETMETAL</b>						
1-S	Jacket Top	009740F	009741F	009742F	009743F	009744F	009745F
2-S	Upfront Control Panel w/LCD & Window	016481F	016481F	016481F	016481F	016481F	016481F
3-S	Upper Control Access Jacket Panel	009748F	009749F	009750F	009751F	009752F	009753F
4-S	Lower Front Jacket Panel	009754F	009755F	009756F	009757F	009758F	009759F
5-S	Access Panel Igniter/Sensor	016592F	016592F	016592F	016592F	016592F	016592F
6-S	Lower Rear Jacket Panel	009760F	009761F	009762F	009763F	009764F	009765F
7-S	Upper Left Side Jacket Panel	009816F	009816F	009766F	009766F	009766F	009766F
8-S	Upper Right Side Jacket Panel	009817F	009817F	009767F	009767F	009767F	009767F
9-S	Air Intake Cover Panel	009768F	009768F	009768F	009768F	009768F	009768F
10-S	Rear Flue Exhaust Cover Panel	009769F	009770F	009770F	009771F	009771F	009771F
11-S	Flue Exhaust Cover Panel	009772F	009773F	009773F	009774F	009774F	009774F
12-S	Lower Corner Supports Front and Rear	009775F	009775F	009775F	009775F	009775F	009775F
13-S	Center Support Panel	010245F	010246F	010247F	010248F	010249F	010250F
14-S	Left & Right Heat Exchanger Support	010251F	010251F	010251F	010251F	010251F	010251F
15-S	Air Intake Adapter Panel TruSeal	009776F	009776F	009776F	009776F	009776F	009776F
16-S	Support Horizontal	009777F	009778F	009779F	009780F	009781F	009782F
17-S	Support Assy Controls and Flue Exhaust	009886F	009886F	009783F	009783F	009783F	009783F
18-S	Flue Collector Top	009784F	009785F	009786F	009787F	009788F	009789F
19-S	Access Panel	009790F	009790F	009790F	009790F	009790F	009790F
20-S	Access Panel w/Pump	009791F	009791F	009791F	009791F	009791F	009791F
21-S	Cover for Integral Return Header Mounted Pump	002671F	002671F	002671F	002671F	002671F	002671F
22-S	Control Box Sheetmetal	016482F	016482F	016482F	016482F	016482F	016482F
23-S	Field Wiring/Display Mounting Panel	016483F	016483F	016483F	016483F	016483F	016483F
24-S	Filter Mounting Panel	009793F	009793F	009793F	009793F	009793F	009793F
25-S	Intake Air Vent Hood	010746F	010746F	010746F	010746F	010746F	010746F
26-S	Blower Plenum	009887F	009887F	N/A	N/A	N/A	N/A
27-S	Flue Exhaust Gasket Retainer	010029F	010030F	010030F	010031F	010031F	010031F
28-S	Combustion Chamber Rear Panel	010766F	010767F	010768F	010769F	010770F	010771F
29-S	Base Assy	010754F	010755F	010756F	010757F	010758F	010759F
30-S	Rear Center Cover Panel	011858F	011858F	011858F	011858F	011858F	011858F
31-S	Power In/Dry Contacts Panel	016484F	016484F	016484F	016484F	016484F	016484F
32-S	Switch Mtg Panel	012343F	012343F	012343F	012343F	012343F	012343F
<b>V</b>	<b>VENTING</b>						
1-V	Outdoor Stack	015446F	014622F	014622F	014623F	014623F	014623F
2-V	Flue Exhaust Tee	009795F	009796F	009796F	009797F	009797F	009797F
3-V	Flue Exhaust Tee Cap	009798F	009799F	009799F	009800F	009800F	009800F
4-V	Flue Exhaust Adapter	009801F	009802F	009802F	009803F	009803F	009803F
5-V	Flue Exhaust Straight Pipe	011851F	011852F	011852F	011853F	011853F	011853F

\* For individual pump parts see separate pump parts IPL 9300.100

CALL OUT	DESCRIPTION	302C	402C	502C	652C	752C	902C
W	<b>WIRING</b>						
1-W	Wire Harnesses						
	Diagnostic Panel Ribbon Cable 16 PIN	016485F	016485F	016485F	016485F	016485F	016485F
	Diagnostic Panel Ribbon Cable 10 PIN	016486F	016486F	016486F	016486F	016486F	016486F
	Bell & Alarm Wire Harness	016487F	016487F	016487F	016487F	016487F	016487F
	Gas Valve Wire Harness (HoneyWell)	015896F	015896F	015896F	015896F	015896F	015896F
	Gas Valve /Safety 24V Wire Harness	016488F	016488F	016489F	016489F	016489F	016490F
	Gas Valve /Safety Board 24V Left Side Wire Harness	016491F	016491F	016491F	016491F	016491F	016492F
	Gas Valve /Safety Board 24V Right Side Wire Harness	016493F	016493F	016494F	016494F	016494F	016494F
	PIM HSI/Blower Wire Harness	016495F	016495F	016495F	016495F	016495F	016495F
	PIM IGN/Blower Right Side Wire Harness	016496F	016496F	016496F	016496F	016496F	016496F
	PIM 120V Power W/Pump Wire Harness	016497F	016497F	016497F	016497F	016497F	016497F
	PIM 1 Power 24V Wire Harness	016498F	016498F	016498F	016498F	016498F	016498F
	Power In Wire Harness	016499F	016499F	016499F	016499F	016499F	016499F
	In/Out Sensor J-Box Wire Harness	016500F	016500F	016500F	016500F	016500F	016500F
	In/Out Sensor Cabinet Wire Harness	016502F	016502F	016502F	016502F	016502F	016502F
	Control Box 120V Wire Harness	016503F	016503F	016503F	016503F	016503F	016503F
	Versa IC Communication Cable	015556F	015556F	015556F	015556F	015556F	015556F
	Heater ID Wire Harness	016504F	016504F	016504F	016504F	016504F	016504F
	Field Wiring Terminal Block 1 Wire Harness	016505F	016505F	016505F	016505F	016505F	016505F
	Field Wiring Terminal Block 2 Wire Harness	016506F	016506F	016506F	016506F	016506F	016506F
	Control Signal Splitter Wire Harness	016507F	016507F	016507F	016507F	016507F	016507F
	High Limit Manual Adjustable Wire Harness	016508F	016508F	016508F	016508F	016508F	016508F
	High Limit Auto Adjustable Wire Harness	016509F	016509F	016509F	016509F	016509F	016509F
	Pump Power 120V Wire Harness	016510F	016510F	016510F	016510F	016510F	016510F
	Low Water Cut Off Wire Harness	016511F	016511F	016511F	016511F	016511F	016511F
	Low Gas Pressure Switch Wire Harness	016512F	016512F	016512F	016512F	016512F	016512F
	High Gas Pressure Switch Wire Harness	016513F	016513F	016513F	016513F	016513F	016513F

**Gas valve usage - NATURAL GAS**

MODEL NUMBER	RISER		
	GV1	GV2	GV3
on-off 302	007424F	N/A	N/A
2-stg 302	007424F	See 6-G	N/A
on-off 402	007424F	N/A	N/A
2-stg 402	007424F	See 6-G	N/A
502	007424F	007424F	N/A
652	007424F	007424F	N/A
752	007424F	007424F	N/A
902	007424F	007424F	007424F

**Gas valve usage - PROPANE**

MODEL NUMBER	RISER		
	GV1	GV2	GV3
on-off 302	007425F	N/A	N/A
2-stg 302	007425F	See 6-G	N/A
on-off 402	007425F	N/A	N/A
2-stg 402	007425F	See 6-G	N/A
502	007425F	007425F	N/A
652	007425F	007425F	N/A
752	007425F	007425F	N/A
902	007425F	007425F	007425F



Registered Quality Management System

[www.raypak.com](http://www.raypak.com)