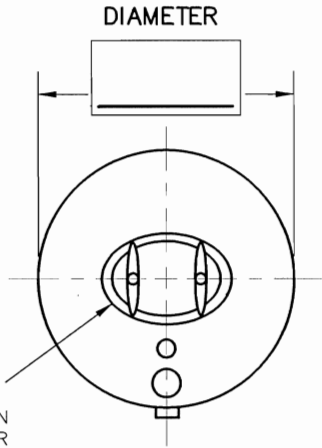
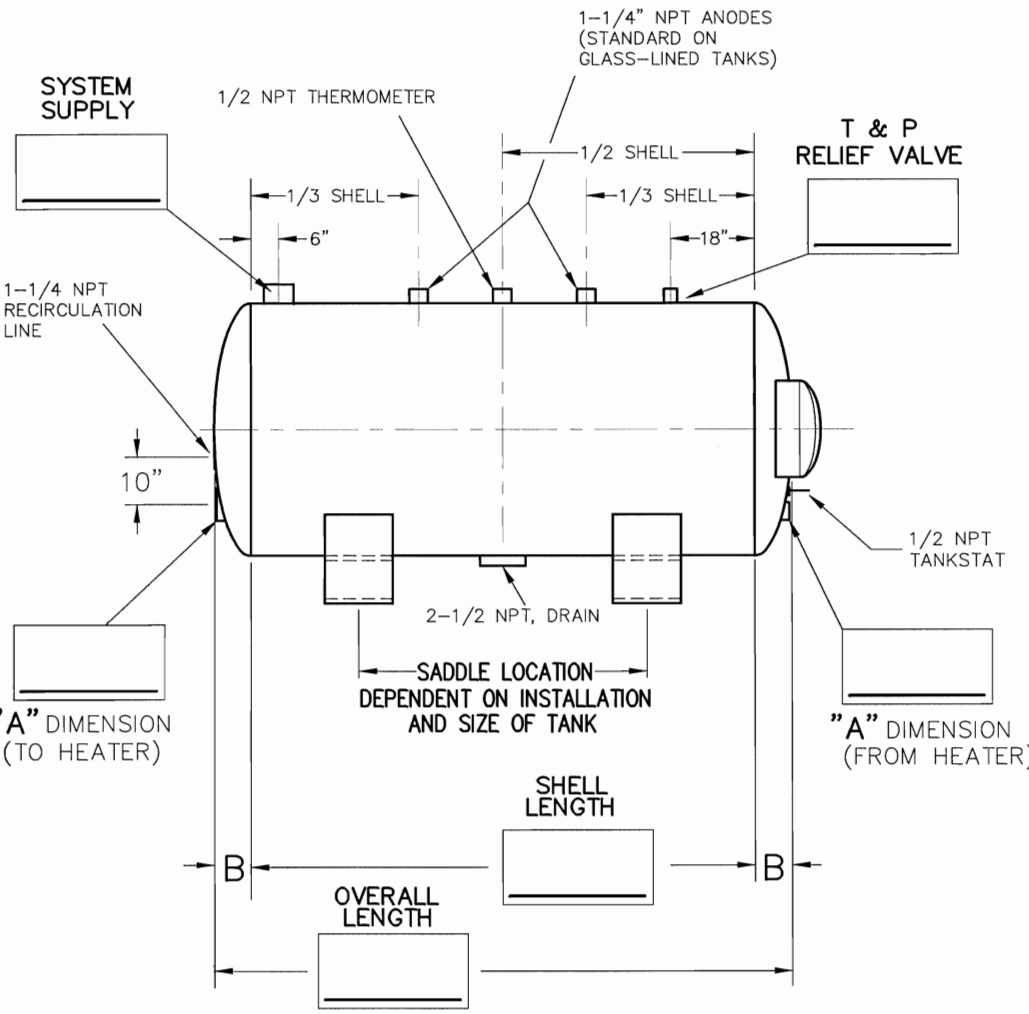


TANK DIA. IN.	"B" HEAD DEPTH
24	7.5
30	9.0
36	10.5
42	12.0
48	14.5
54	15.0
60	16.5
66	18.0
72	19.5
84	22.5
96	25.5



JOB NAME
JOB LOCATION
BUYER
BUYER ADDRESS
RAYPAK QUOTE NO.
DATE
SUBMITTAL PREPARED BY



TANK SPECIFICATIONS	QUANTITY:
	GALLONS:
	125 PSI W.P.:
	150 PSI W.P.:
	MANHOLE:
2" INSPECT. PLUG:	
MAGNESIUM ANODES:	
LINING	EPOXY:
	GLASS:
	CEMENT:
SPECIAL NOTES	

ACAD: 8356. DWG

Rampak

AKB 3/28/14
DA 3/31/14

SUBMITTAL SHEET

PRODUCT LINE:
HOT WATER STORAGE TANK CUSTOM,
A.S.M.E., HORIZONTAL

SCALE: NONE

DATE: 3-28-14

DRAWING NO.: 8356

CATALOG NO.
4000.83B
REPLACES
4000.83A