



FC-PAK™

Air cooled remote closed-loop fluid cooling systems for water-cooled soft-serve ice cream and yogurt applications.

ITEM NO: _____

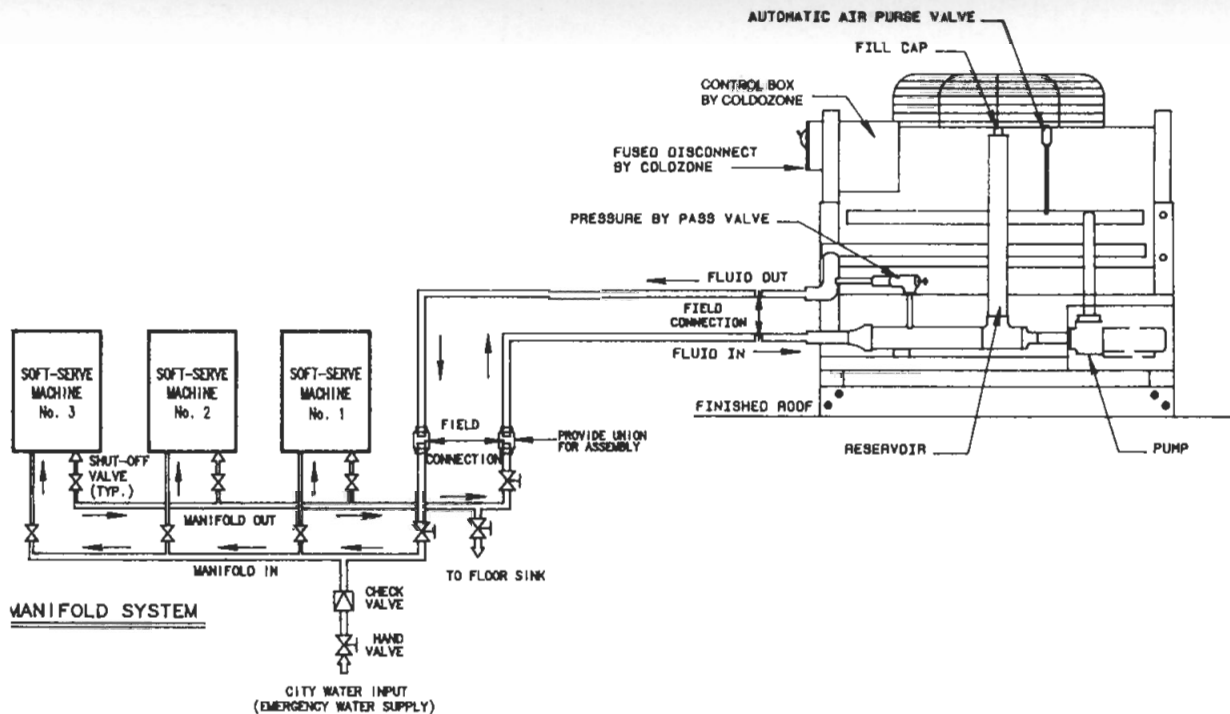


Managing Energy Anywhere

COLDZONE'S Closed-Loop Fluid Technology Can Save up to \$150 per Month per machine on Your Water Bill!

The FC-PAC utilizes a closed-loop propylene-glycol/water anti-freeze solution that captures the heat produced by your soft-serve machines and rejects it to the outside. Water usage is eliminated and air conditioning requirements are substantially reduced. With single-point electrical connection and one roof penetration, the FC-PAK is factory-piped with a fluid manifold to lower plumbing costs during installation. And, all FC-PAK systems are job-sized to provide long-term dependable performance - even under severe environmental conditions.

Closed-Loop Fluid Cooling System

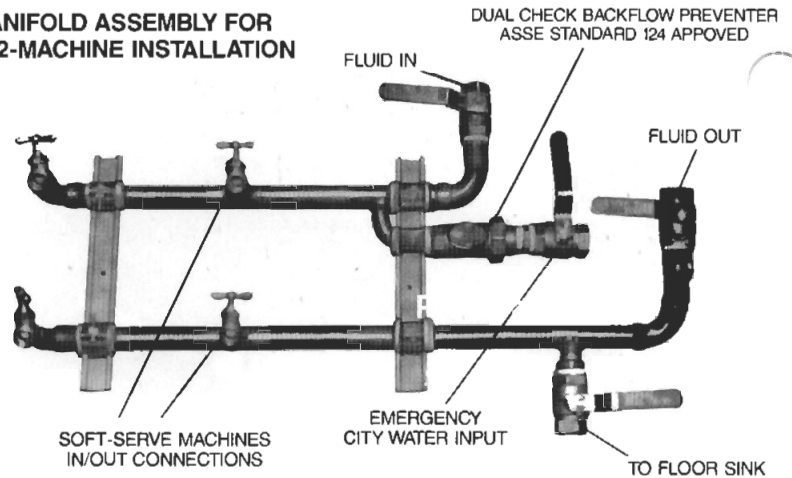


Standard Features

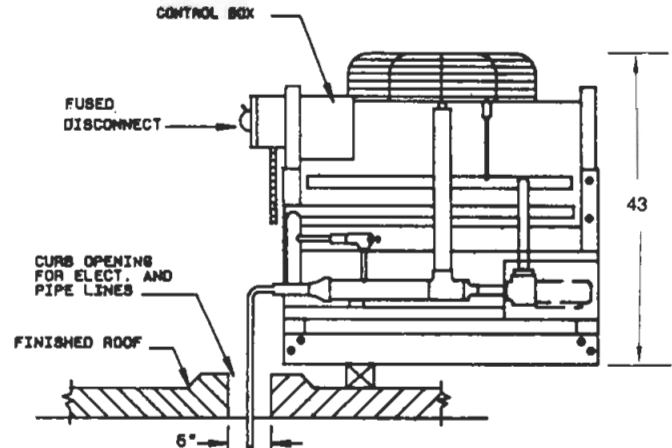
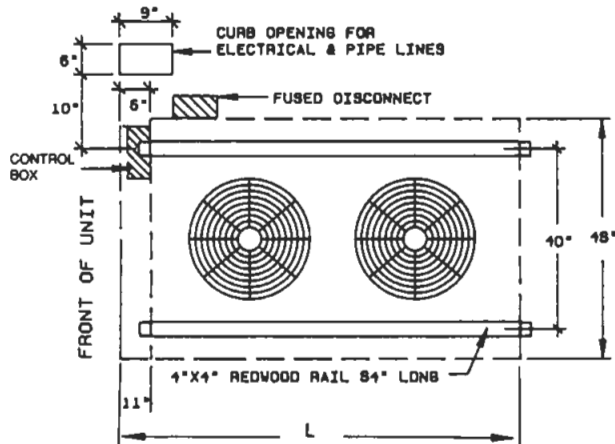
- Vertical air discharge, protects FC-PAK from direct sun light, adding efficiency
- All weather exterior hosing, utilizing 16 gauge G904 galvanized metal
- Closed-coupled centrifugal pump
- Fluid reservoir with fill port and sight glass
- Pre-wired main-fused disconnect and control box
- High efficiency exhaust fans for high heat rejection
- Fluid bypass valve
- Air separator and automatic air purge valve
- Thermostatic control for automatic fan shut-down
- Complete input/output fluid manifold system with shut-off valves with manual change-over to city water



MANIFOLD ASSEMBLY FOR TYP. 2-MACHINE INSTALLATION



Dimensional Data



Physical Data

CZ-FILCO MODEL NO.	NUMBER OF FANS	HEAT OF REJECTION (BTU)	TOTAL FLUID VOLUME (GAL)	FLUID FLOW (GPM)	CONNECTIONS (O.D.)		DIMENSIONS (INCH)			TOTAL SYSTEM AMPS (230V/1PH/60Hz)	SHIPPING WEIGHT (LBS.)	DRY WEIGHT (LBS.)
					HOT FLUID (INLET)	COLD FLUID (OUTLET)	L	W	H			
FC-3A	1	30,000	4	4	1½	1½	43.5	48	43	9.7	625	400
FC-5A	2	50,000	5	8	1½	1½	73	48	43	13.9	750	470
FC-7A	2	70,000	8	12	1½	1½	73	48	43	16.2	850	570
FC-9A	2	90,000	10	16	1¾	1¾	73	48	43	16.2	950	670
FC-11A	2	110,000	12	18	1½	1½	73	48	43	17.7	1050	770
FC-15A	3	150,000	15	22	1½	1½	103	48	43	21.9	1350	1000

ColdZone reserves the right to make changes in design and construction at any time without notice.
Maximum line run 65' horizontally / and 30' vertical. for longer line runs, consult the factory.

