



The new degree of comfort.™

## Rheem *Commercial Classic*® Series Package Air Conditioner



### RLNL-B High Efficiency Series

Nominal Sizes 6-12.5 Tons [21.1-44.0 kW]  
ASHRAE 90.1-2010 Compliant Models



*"Proper sizing and installation of equipment is critical to achieve optimal performance. Ask your Contractor for details or visit [www.energystar.gov](http://www.energystar.gov)."*

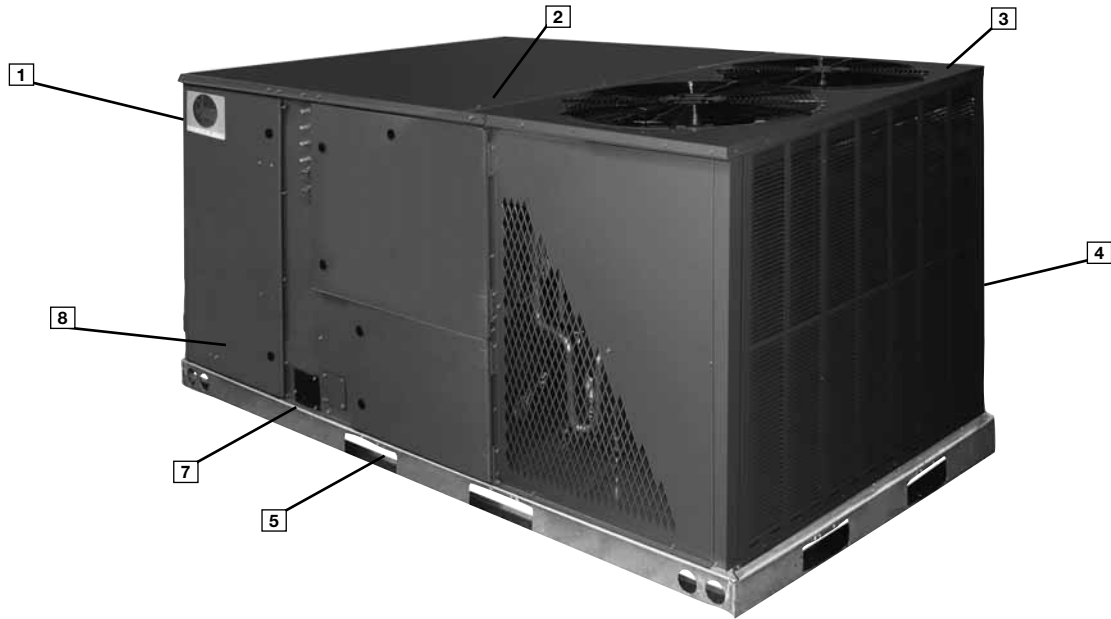
## TABLE OF CONTENTS

Unit Features & Benefits .....	3-7
Model Number Identification .....	8
Options .....	9
Selection Procedure .....	10
General Data	
RLNL-B Series .....	11-19
General Data Notes .....	20
Gross Systems Performance Data	
RLNL-B Series .....	21-23
Airflow Performance	
RLNL-B- Series .....	24-28
Electrical Data	
RLNL-B- Series .....	29-32
Electric Heater Kits .....	33-38
Dimensional Data .....	39-42
Accessories .....	43-64
Mechanical Specifications .....	65-66
Wiring Diagrams .....	67-70
Limited Warranty .....	71



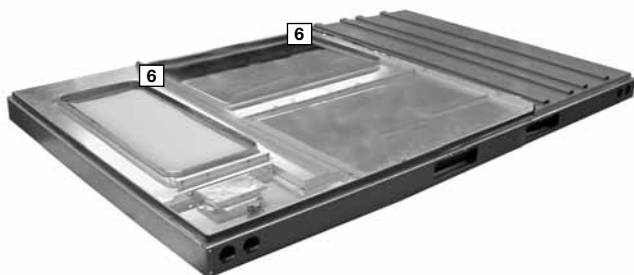
## STANDARD FEATURES INCLUDE:

- R-410A HFC refrigerant.
- Complete factory charged, wired and run tested.
- Scroll compressors with internal line break overload and high-pressure protection.
- Single stage compressor on B073 model.
- Two stage compressor on B090 – B151 models.
- Convertible airflow.
- TXV refrigerant metering system on each circuit (except on B073).
- High Pressure and Low Pressure/Loss of charge protection standard on all models.
- Solid Core liquid line filter drier on each circuit.
- Single slab, single pass designed evaporator and condenser coils facilitate easy cleaning for maintained high efficiencies.
- Cooling operation up to 125 degree F ambient.
- Foil faced insulation encapsulated throughout entire unit minimizes airborne fibers from the air stream.
- Hinged major access door with heavy-duty gasketing, 1/4 turn latches and door retainers.
- Slide Out Indoor fan assembly for added service convenience.
- Powder Paint Finish meets ASTM B117 steel coated on each side for maximum protection. G90 galvanized.
- One piece top cover and one piece base pan with drawn supply and return opening for superior water management.
- Forkable base rails for easy handling and lifting.
- Single point electrical connections.
- Internally sloped slide out condensate pan conforms to ASHRAE 62 standards.
- High performance belt drive motor with variable pitch pulleys and quick adjust belt system.
- Permanently lubricated evaporator and condenser motors.
- Condenser motors are internally protected, totally enclosed with shaft down design.
- 2 inch filter standard with slide out design.
- 24 volt control system with resettable circuit breakers.
- Colored and labeled wiring.
- Copper tube/Aluminum Fin coils (12<sup>1</sup>/<sub>2</sub> uses micro channel condenser).
- Molded compressor plug.
- Supplemental electric heat provides 100% efficient heating.



Rheem Package equipment is designed from the ground up with the latest features and benefits required to compete in today's market. The clean design stands alone in the industry and is a testament to the quality, reliability, ease of installation and serviceability that goes into each unit. Outwardly, the large Rheem *Commercial Series*™ label (1) identifies the brand to the customer. The sheet-metal cabinet (2) uses nothing less than 18-gauge material for structural components with an underlying coat of G90. To ensure the leak-proof integrity of these units, the design utilizes a one-piece top with a 1/8" drip lip (3), gasket-protected panels and screws. The Rheem hail guard (optional) (4) is its trademark, and sets the standard for coil protection in the industry. Every Rheem package unit uses the toughest finish in the industry, using electro deposition baked-on enamel tested to withstand a rigorous 1000-hour salt spray test, per ASTM B117.

Anything built to last must start with the right foundation. In this case, the foundation is 14-gauge, commercial-grade, full-perimeter base rails (5), which integrate fork slots and rigging holes to save set-up time on the job site. The base pan is stamped, which forms a 1-1/8" flange around the supply and return cover and has eliminated the worry of water entering the conditioned space (6). The insulation has been placed on the underside of the basepan, removing areas that would allow for potential moisture accumulation, which can facilitate growth of harmful bacteria. All insulation is secured with both adhesive and mechanical fasteners, and all edges are hidden. The drainpan (7) is made of material that resists the growth of harmful bacteria and is sloped for the latest IAQ benefits. Furthermore, the drain pan slides out for easy cleaning.



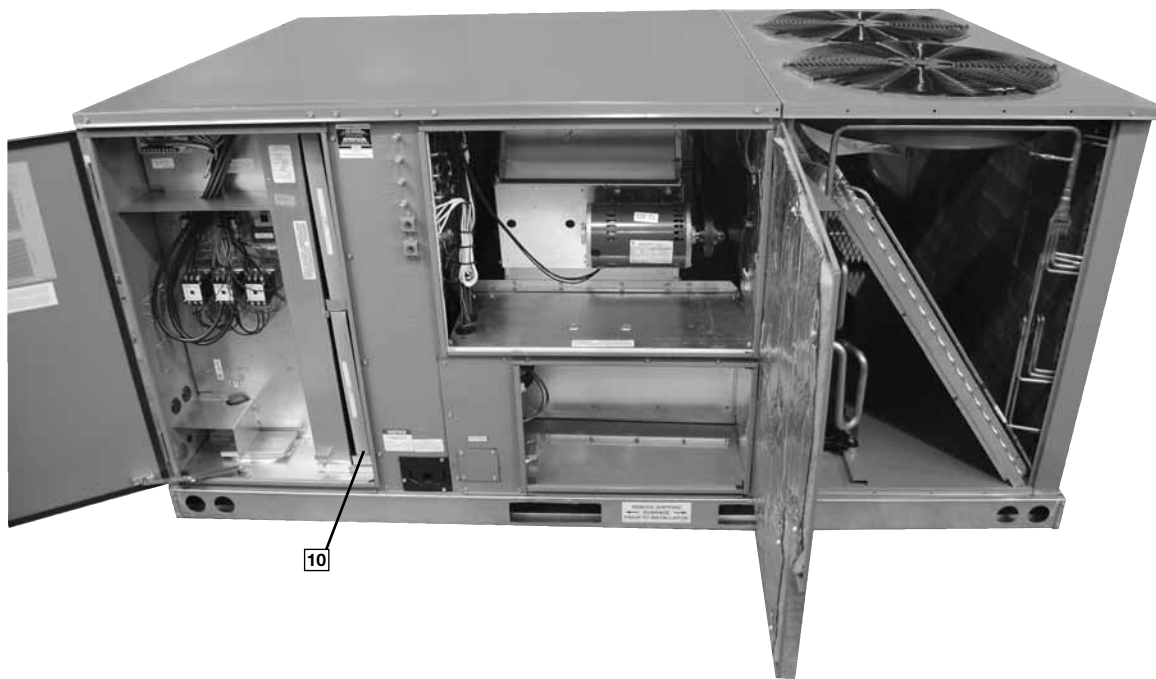
During development, each unit was tested to U.L. 1995, AHRI 340-370 and other Rheem-required reliability tests. Rheem adheres to stringent ISO 9002 quality procedures, and each unit bears the U.L. and AHRI certification labels located on the unit nameplate (8). Contractors can rest assured that when a Rheem package unit arrives at the job, it is ready to go with a factory charge and quality checks. Each unit also proudly displays the "Made in the USA" designation.

Access to all major compartments is from the front of the unit, including the filter and electrical compartment, blower compartment, heating section, and outdoor section. Each compartment has 1/4 turn fasteners and hinged access. Each panel is permanently embossed with the compartment name (control/filter access, blower access and electric heat access).

Electrical and filter compartment access is through a large, hinged-access panel. On the outside of the panel is the unit nameplate, which contains the model and serial number, electrical data and other important unit information.

The unit charging chart is located on the inside of the electrical and filter compartment door. Electrical wiring diagrams are found on the control box cover, which allows contractors to move them to more readable locations. To the right of the control box the model and serial number can be found. Having this information on the inside will assure model identification for the life of the product. The production line quality test assurance label is also placed in this location (9). The two-inch throwaway filters (10) are easily removed on a tracked system for easy replacement.





Inside the control box (**11**), each electrical component is clearly identified with a label that matches the component to the wire diagram for ease of trouble shooting. All wiring is numbered on each end of the termination and color-coded to match the wiring diagram. The control transformer has a low voltage circuit breaker that trips if a low voltage electrical short occurs. There is a blower contactor and compressor for each compressor.



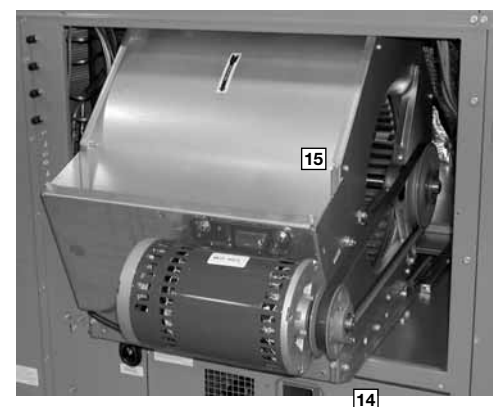
For added convenience in the field, a factory-installed convenience outlet (**12**) is available. Low and High voltage can enter either from the side or through the base. Low-voltage connections are made integrated cooling control. The high-voltage connection is terminated at the number 1 compressor contactor. The suggested mounting for the field-installed disconnect is on the exterior side of the electrical control box.



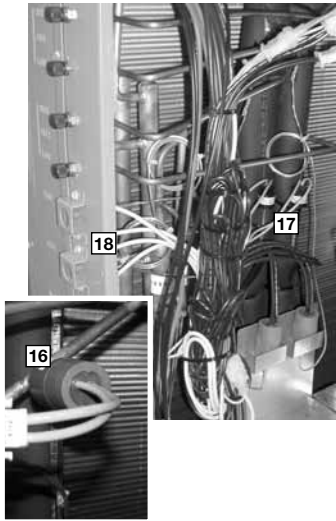
To the right of the electrical and filter compartment are the externally mounted gauge ports, which are permanently identified by embossed wording that clearly identifies the compressor circuit, high pressure connection and low pressure connection (**13**). With the gauge ports mounted externally, an accurate diagnostic of system operation can be performed quickly and easily. The blower compartment is to the right of the gauge ports and can be accessed by 1/4 turn fasteners. To allow easy maintenance of



the blower assembly, the entire assembly easily slides out by removing the 3/8" screws from the blower retention bracket. The adjustable motor pulley (**14**) can easily be adjusted by loosening the bolts on either side of the motor mount. Removing the bolts allows for easy removal of the blower pulley by pushing the blower assembly up to loosen the belt. Once the pulley is removed, the motor sheave can be adjusted to the desired number of turns, ranging from 0 to 6 turns open. Where the demands for the job require high static, Rheem has high-static drives available that deliver nominal airflow up to 2" of static. By referring to the airflow performance tables listed in the installation instructions, proper static pressure and CFM requirements can be dialed in. The scroll housing (**15**) and blower scroll provide quiet and efficient airflow. The blower sheave is secured by an "H" bushing which firmly secures the pulley to the blower shaft for years of trouble-free operation. The "H" bushing allows for easy removal of the blower pulley from the shaft, as opposed to the use of a set screw, which can score the shaft, creating burrs that make blower-pulley removal difficult.

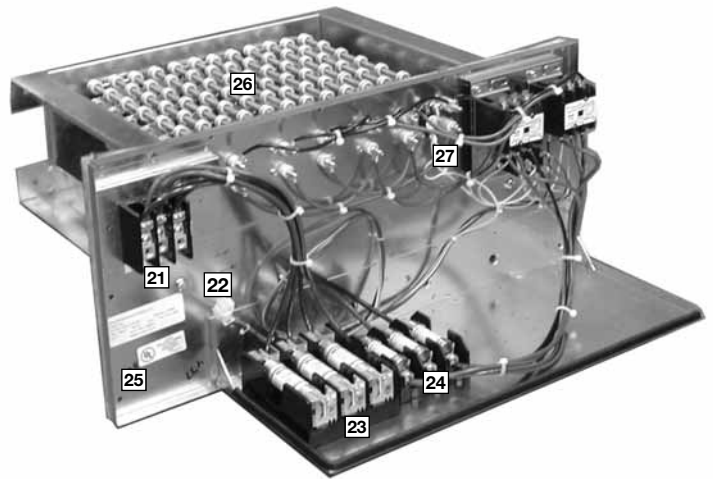
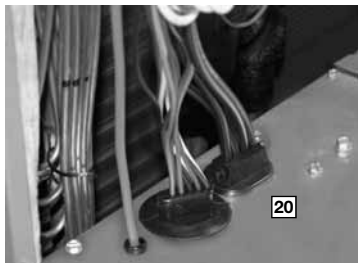


Also inside the blower compartment is the low-ambient control (**16**), low-pressure switch (**17**), high-pressure switch (**18**) and freeze stat refrigerant safety device (**19**) (optional). The low-ambient control allows for operation of the compressor down to 0 degrees ambient temperature by cycling the outdoor fans on high pressure. The high-pressure switch will shut off the compressors if pressures exceeds, 610 PSIG are detected, this may occur if the outdoor fan motor fails. The low-pressure switch shuts off the compressors if low pressure is detected due to loss of charge. The freeze stat protects the compressor if the evaporator coil gets too cold (below freezing) due to low airflow. Each factory-installed option is brazed into the appropriate high or low side and wired appropriately. Use of polarized plugs and sharder fittings allow for easy field installation.



Inside the blower compartment the interlaced evaporator can also be viewed. The evaporator uses enhanced fin technology for maximum heat transfer. The TXV metering device assures even distribution of refrigerant throughout the evaporator. (Note: 6 ton single stage has an orifice refrigerant control.)

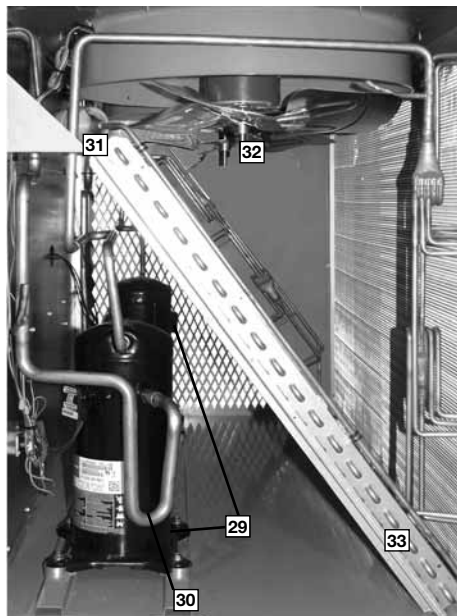
Wiring throughout the unit is neatly bundled and routed. Where wire harnesses go through the condenser bulkhead or blower deck, a molded wire harness assembly (**20**) provides an air-tight and water-tight seal, and provides strain relief. Care is also taken to tuck raw edges of insulation behind sheet metal to improve indoor air quality.



The heating compartment contains the latest electric furnace technology on the market. The 100% efficient electric furnace can be factory-installed or easily field-installed. Built with ease-of-installation in mind, the electric furnace is completely wired for slide-in, plug-and-play installation in the field. With choices of up to six kilowatt offerings, the contractor is assured to get the correct amount of heating output to meet the designed heating load.

Power hook-up in the field is easy with single-point wiring to a terminal block (**21**) and a polarized plug for the low-voltage connection (**22**). The electric furnace comes with fuses for the unit (**23**) and for the electric furnace (**24**), and is UL certified (**25**). The electric heating elements are of a wound-wire construction (**26**) and isolated with ceramic bushings. The limit switch (**27**) protects the design from over-temperature conditions. Each electric furnace has the capability to be converted from single-stage operation to two-stage operation by removing a jumper on the low-voltage terminal strip.

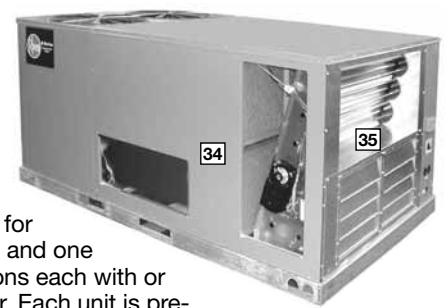
The compressor compartment houses the heart-beat of the unit. The scroll compressor (29) is known for its long life, and for reliable, quiet, and efficient operation. Each compressor has molded compressor plug eliminating potential for mis wiring. The suction and discharge lines are designed with shock loops (30) to absorb the strain and stress that the starting torque, steady state operation, and shut down cycle impose on the refrigerant tubing. Each compressor and circuit is independent for built-in redundancy, and each circuit is clearly marked throughout the system. Each unit has two stages of efficient cooling operation, first stage is approximately 50% of second stage (073 single stage).



Each unit comes standard with filter dryer (31). The condenser fan motor (32) can easily be accessed and maintained through the compressor compartment. The polarized plug connection allows the motor to be changed quickly and eliminates the need to snake wires through the unit.

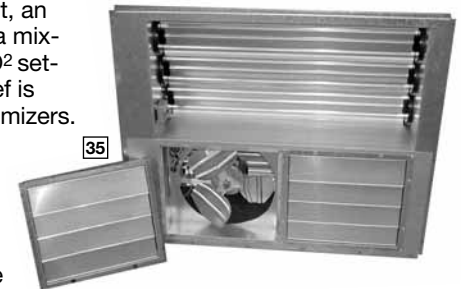
The outdoor coil uses the latest enhanced fin design (33) for the most effective method of heat transfer. The outdoor coil is protected by optional louvered panels, which allow unobstructed airflow while protecting the unit from both Mother Nature and vandalism.

Each unit is designed for both downflow or horizontal applications (34) for job configuration flexibility. The return air compartment can also contain an economizer (35).



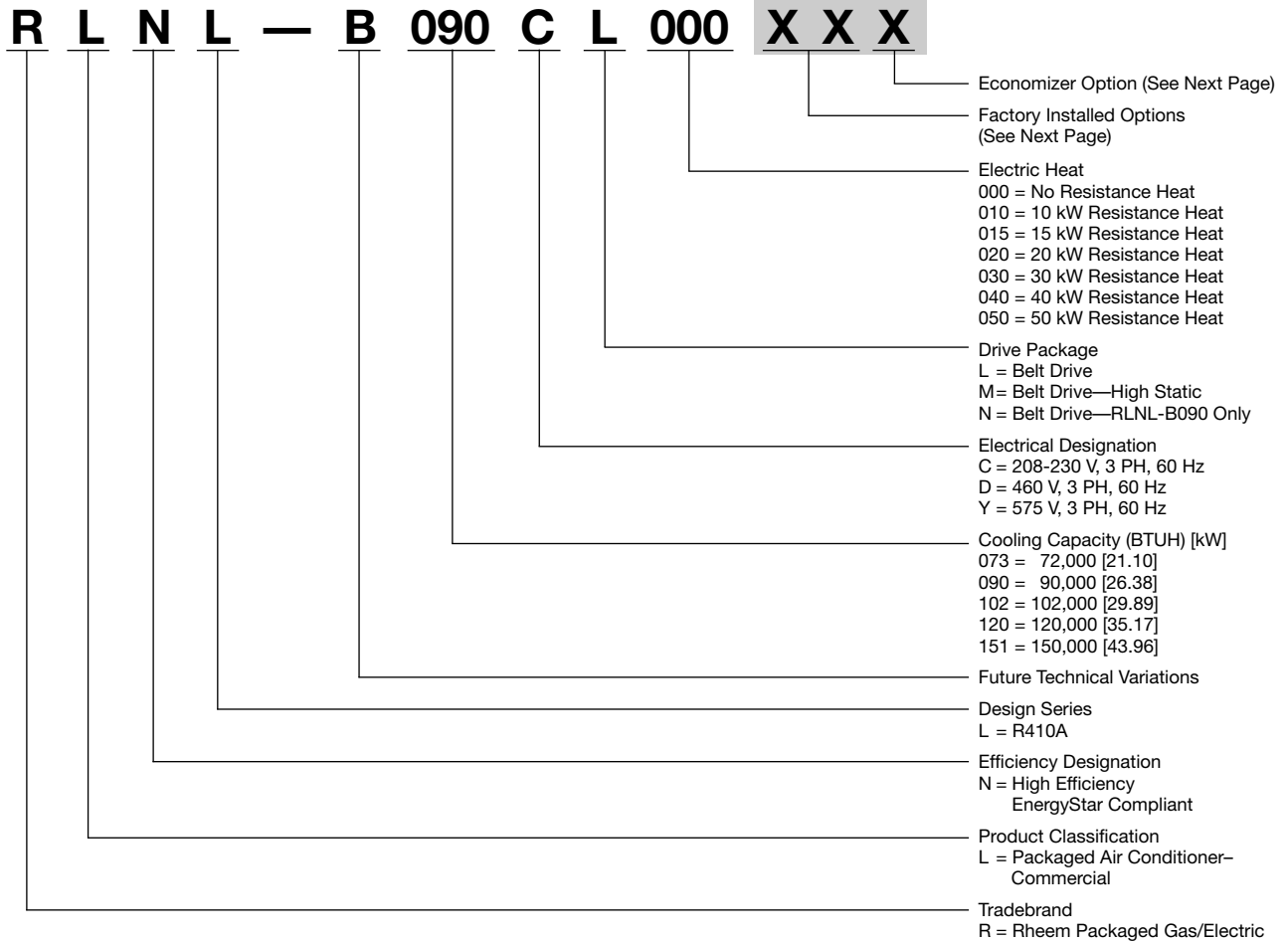
Four models exits, one for downflow applications, and one for horizontal applications each with or without smoke detector. Each unit is pre-wired for the economizer to allow quick plug-in installation. The economizer is also available as a factory-installed option. Power Exhaust is easily field-installed. The economizer, which provides free cooling when outdoor conditions are suitable and also provides fresh air to meet local requirements, comes standard with single enthalpy controls. The controls can be upgraded to dual enthalpy easily in the field. The direct drive actuator combined with gear drive dampers has eliminated the need for linkage adjustment in the field. The economizer control has a minimum position setpoint, an outdoor-air setpoint, a mix-air setpoint, and a CO<sup>2</sup> setpoint. Barometric relief is standard on all economizers.

The power exhaust (35) is housed in the barometric relief opening and is easily slipped in with a plug-in assembly. The wire harness to the economizer also has accommodations for a smoke detector.



The Rheem roofcurb (36) is made for toolless assembly at the jobsite by engaging a pin into the hinged corner brackets into the adjacent curb sides, which makes the assembly process quick and easy.





[ ] Designates Metric Conversions





## 6 TO 12.5 TON [21.1 TO 44.0 kW]

Option Code	Hail Guard	Non-Powered Convenience Outlet	Low Ambient/ Freeze Stat
AD	X		
AG		X	
AP			X
BY	X		X
BJ	X	X	
CX	X	X	X
JC		X	X

"x" indicates factory installed option.

## ECONOMIZER SELECTION FOR LNL 6 TO 12.5 TON [21.1 TO 44.0 kW]

	No Economizer	Single Enthalpy Economizer with Barometric Relief	Single Enthalpy Economizer with Barometric Relief and Smoke Detector
A	X		
F		X	
G			X

"x" indicates factory installed option.

## Instructions for Factory Installed Option(s) Selection

**Note:** Three characters following the model number will be utilized to designate a factory-installed option or combination of options. If no factory option(s) is required, nothing follows the model number.

**Step 1.** After a basic rooftop model is selected, choose a *two-character* option code from the FACTORY INSTALLED OPTION SELECTION TABLE.

Proceed to Step 2.

**Step 2.** The last option code character is utilized for factory-installed economizers. Choose a character from the FACTORY INSTALLED ECONOMIZER SELECTION TABLE.

## Examples:

RLNL-B120CL000.....this unit has no factory installed options.

RLNL-B120CL000**ADA**.....this unit is equipped with *hail guards*.

RLNL-B120CL000**BYA**.....this unit is equipped with *hail guards, low ambient and unit freeze stat*.

RLNL-B120CL000**BYF**.....this unit is equipped as above *and* includes an *Economizer with single enthalpy sensor and with barometric relief*.

RLNL-B120CL000**AAG**.....this unit is equipped with an *Economizer with single enthalpy sensor and barometric relief with smoke detector*.

[ ] Designates Metric Conversions



To select an RLNL-B Cooling and Heating unit to meet a job requirement, follow this procedure, with example, using data supplied in this specification sheet.

**1. DETERMINE COOLING AND HEATING REQUIREMENTS AND SPECIFIC OPERATING CONDITIONS FROM PLANS AND SPECS.**

**Example:**

Voltage—	230 V – 3 Phase – 60 Hz
Total Cooling Capacity—	106,000 BTUH [31.0 kW]
Sensible Cooling Capacity—	82,000 BTUH [24.0 kW]
Heating Capacity—	150,000 BTUH [43.9 kW]
*Condenser Entering Air—	95°F [35.0°C] DB
*Evaporator Mixed Air Entering—	65°F [18.3°C] WB
	78°F [25.6°C] DB
*Indoor Air Flow (vertical)—	3600 CFM [1699 L/s]
*External Static Pressure—	0.40 in. WG [.10 kPa]

**2. SELECT UNIT TO MEET COOLING REQUIREMENTS.**

Since total cooling is within the range of a nominal 10 ton [35.1 kW] unit, enter cooling performance table at 95°F [35.0°C] DB condenser inlet air. Interpolate between 63°F [17.2°C] WB and 67°F [19.4°C] to determine total and sensible capacity and power input for 65°F [18.3°C] WB evaporator inlet air at 3750 CFM [1770 L/s] indoor air flow (table basis):

Total Cooling Capacity = 118,900 BTUH [34.82 kW]  
Sensible Cooling Capacity = 99,950 BTUH [29.27 kW]  
Power Input (Compressor and Cond. Fans) = 8,950 watts

Use formula in note ① to determine sensible capacity at 78°F [25.6°C] DB evaporator entering air:

$99,950 + (1.10 \times 3,600 \times (1 - 0.03) \times (78 - 80))$   
Sensible Cooling Capacity = 92,268 BTUH [27.02 kW]

**3. CORRECT CAPACITIES OF STEP 2 FOR ACTUAL AIR FLOW.**

Select factors from airflow correction table at 3600 CFM [1699 L/s] and apply to data obtained in step 2 to obtain gross capacity:

Total Capacity =  $118,900 \times 0.98 = 116,522$  BTUH [34.12 kW]  
Sensible Capacity =  $92,268 \times 0.95 = 87,655$  BTUH [25.67 kW]  
Power Input =  $8,950 \times 0.99 = 8,861$  Watts

These are Gross Capacities, not corrected for blower motor heat or power.

**4. DETERMINE BLOWER SPEED AND WATTS TO MEET SYSTEM DESIGN.**

Enter Indoor Blower performance table at 3600 CFM [1699 L/s]. Total ESP (external static pressure) per the spec of 0.40 in. WG [.10 kPa] includes the system duct and grilles. Add from the table “Component Air Resistance,” 0.076 in. WG [.02 kPa] for wet coil, 0 in. WG [.00 kPa] for downflow air flow for a total selection static pressure of 0.476 (0.5) in. WG [.12 kPa], and determine:

RPM = 769  
WATTS = 1,576  
DRIVE = L (standard 2 H.P. motor)

**5. CALCULATE INDOOR BLOWER BTUH HEAT EFFECT FROM MOTOR WATTS, STEP 4.**

$$1,576 \times 3.412 = 5,377 \text{ BTUH [1.57 kW]}$$

**6. CALCULATE NET COOLING CAPACITIES, EQUAL TO GROSS CAPACITY, STEP 3, MINUS INDOOR BLOWER MOTOR HEAT.**

$$\text{Net Total Capacity} = 116,522 - 5,377 = 111,145 \text{ BTUH [32.54 kW]}$$

$$\text{Net Sensible Capacity} = 87,655 - 5,377 = 82,278 \text{ BTUH [24.09 kW]}$$

**7. CALCULATE UNIT INPUT AND JOB EER.**

$$\text{Total Power Input} = 8,861 \text{ (step 3)} + 1,576 \text{ (step 4)} = 10,437 \text{ Watts}$$

$$\text{EER} = \frac{\text{Net Total BTUH [kW] (step 6)}}{\text{Power Input, Watts (above)}} = \frac{111,145}{10,437} = 10.65$$

**8. SELECT UNIT HEATING CAPACITY.**

From Heater Kit Table select kW to meet heating capacity requirement; multiply kW x 3412 to convert to BTUH.

Use 50 kW Heater Kit

Heater Kit Model: RXU-CC50C      Heater Kit Capacity: 163,776 BTUH [48.0 kW]

Add indoor blower heat effect (step 5) to Heater Kit Capacity to get total heating capacity:

$$163,776 + 5,377 = 169,153 \text{ BTUH [49.5 kW]}$$

**9. CHOOSE MODEL RLNL-B120CL050.**

\*NOTE: These operating conditions are typical of a commercial application in a 95°F/79°F [35°C/26°C] design area with indoor design of 76°F [24°C] DB and 50% RH and 10% ventilation air, with the unit roof mounted and centered on the zone it conditions by ducts.

[ ] Designates Metric Conversions



## NOM. SIZES 6-12.5 TONS [21.1-44.0 kW] ASHRAE 90.1-2010 COMPLIANT MODELS

Model RLNL- Series	B073CL	B073CM	B073DL	B073DM
<b>Cooling Performance<sup>1</sup></b>				<b>CONTINUED</b> →
Gross Cooling Capacity Btu [kW]	75,000 [21.97]	75,000 [21.97]	75,000 [21.97]	75,000 [21.97]
EER/SEER <sup>2</sup>	11.2/NA	11.2/NA	11.2/NA	11.2/NA
Nominal CFM/AHRI Rated CFM [L/s]	2400/2325 [1133/1097]	2400/2325 [1133/1097]	2400/2325 [1133/1097]	2400/2325 [1133/1097]
AHRI Net Cooling Capacity Btu [kW]	72,000 [21.1]	72,000 [21.1]	72,000 [21.1]	72,000 [21.1]
Net Sensible Capacity Btu [kW]	52,800 [15.47]	52,800 [15.47]	52,800 [15.47]	52,800 [15.47]
Net Latent Capacity Btu [kW]	19,200 [5.63]	19,200 [5.63]	19,200 [5.63]	19,200 [5.63]
IEER <sup>3</sup>	11.8	11.8	11.8	11.8
Net System Power [kW]	6.42	6.42	6.42	6.42
<b>Compressor</b>				
No./Type	1/Scroll	1/Scroll	1/Scroll	1/Scroll
<b>Outdoor Sound Rating (dB)<sup>4</sup></b>	88	88	88	88
<b>Outdoor Coil—Fin Type</b>	Louvered	Louvered	Louvered	Louvered
Tube Type	Rifled	Rifled	Rifled	Rifled
Tube Size in. [mm] OD	0.375 [9.5]	0.375 [9.5]	0.375 [9.5]	0.375 [9.5]
Face Area sq. ft. [sq. m]	13.5 [1.25]	13.5 [1.25]	13.5 [1.25]	13.5 [1.25]
Rows / FPI [FPcm]	1 / 22 [9]	1 / 22 [9]	1 / 22 [9]	1 / 22 [9]
<b>Indoor Coil—Fin Type</b>	Louvered	Louvered	Louvered	Louvered
Tube Type	Rifled	Rifled	Rifled	Rifled
Tube Size in. [mm]	0.375 [9.5]	0.375 [9.5]	0.375 [9.5]	0.375 [9.5]
Face Area sq. ft. [sq. m]	13.5 [1.25]	13.5 [1.25]	13.5 [1.25]	13.5 [1.25]
Rows / FPI [FPcm]	2 / 18 [7]	2 / 18 [7]	2 / 18 [7]	2 / 18 [7]
Refrigerant Control	TX Valves	TX Valves	TX Valves	TX Valves
Drain Connection No./Size in. [mm]	1/1 [25.4]	1/1 [25.4]	1/1 [25.4]	1/1 [25.4]
<b>Outdoor Fan—Type</b>	Propeller	Propeller	Propeller	Propeller
No. Used/Diameter in. [mm]	2/24 [609.6]	2/24 [609.6]	2/24 [609.6]	2/24 [609.6]
Drive Type/No. Speeds	Direct/1	Direct/1	Direct/1	Direct/1
CFM [L/s]	8000 [3775]	8000 [3775]	8000 [3775]	8000 [3775]
No. Motors/HP	2 at 1/3 HP	2 at 1/3 HP	2 at 1/3 HP	2 at 1/3 HP
Motor RPM	1075	1075	1075	1075
<b>Indoor Fan—Type</b>	FC Centrifugal	FC Centrifugal	FC Centrifugal	FC Centrifugal
No. Used/Diameter in. [mm]	1/11x12 [279x305]	1/11x12 [279x305]	1/11x12 [279x305]	1/11x12 [279x305]
Drive Type/No. Speeds	Belt/Variable	Belt/Variable	Belt/Variable	Belt/Variable
No. Motors	1	1	1	1
Motor HP	1 1/2	1 1/2	1 1/2	1 1/2
Motor RPM	1725	1725	1725	1725
Motor Frame Size	56	56	56	56
<b>Filter—Type</b>	Disposable	Disposable	Disposable	Disposable
Furnished	Yes	Yes	Yes	Yes
(NO.) Size Recommended in. [mm x mm x mm]	(6)2x18x18 [51x457x457]	(6)2x18x18 [51x457x457]	(6)2x18x18 [51x457x457]	(6)2x18x18 [51x457x457]
<b>Refrigerant Charge Oz. [g]</b>	125 [3544]	125 [3544]	125 [3544]	125 [3544]
<b>Weights</b>				
Net Weight lbs. [kg]	901 [409]	901 [409]	901 [409]	901 [409]
Ship Weight lbs. [kg]	938 [425]	938 [425]	938 [425]	938 [425]

See Page 20 for Notes.

[ ] Designates Metric Conversions

## NOM. SIZES 6-12.5 TONS [21.1-44.0 kW] ASHRAE 90.1-2010 COMPLIANT MODELS

Model RLNL- Series	B073YL	B073YM	B090CL	B090CM
<b>Cooling Performance<sup>1</sup></b>				<b>CONTINUED</b> →
Gross Cooling Capacity Btu [kW]	75,000 [21.97]	75,000 [21.97]	93,000 [27.25]	93,000 [27.25]
EER/SEER <sup>2</sup>	11.2/NA	11.2/NA	11.2/NA	11.2/NA
Nominal CFM/AHRI Rated CFM [L/s]	2400/2325 [1133/1097]	2400/2325 [1133/1097]	3000/2775 [1416/1310]	3000/2775 [1416/1310]
AHRI Net Cooling Capacity Btu [kW]	72,000 [21.1]	72,000 [21.1]	90,000 [26.37]	90,000 [26.37]
Net Sensible Capacity Btu [kW]	52,800 [15.47]	52,800 [15.47]	63,100 [18.49]	63,100 [18.49]
Net Latent Capacity Btu [kW]	19,200 [5.63]	19,200 [5.63]	26,900 [7.88]	26,900 [7.88]
IEER <sup>3</sup>	11.8	11.8	11.9	11.9
Net System Power [kW]	6.42	6.42	7.99	7.99
<b>Compressor</b>				
No./Type	1/Scroll	1/Scroll	2/Scroll	2/Scroll
<b>Outdoor Sound Rating (dB)<sup>4</sup></b>	88	88	88	88
<b>Outdoor Coil—Fin Type</b>	Louvered	Louvered	Louvered	Louvered
Tube Type	Rifled	Rifled	Rifled	Rifled
Tube Size in. [mm] OD	0.375 [9.5]	0.375 [9.5]	0.375 [9.5]	0.375 [9.5]
Face Area sq. ft. [sq. m]	13.5 [1.25]	13.5 [1.25]	27 [2.51]	27 [2.51]
Rows / FPI [FPcm]	1 / 22 [9]	1 / 22 [9]	1 / 22 [9]	1 / 22 [9]
<b>Indoor Coil—Fin Type</b>	Louvered	Louvered	Louvered	Louvered
Tube Type	Rifled	Rifled	Rifled	Rifled
Tube Size in. [mm]	0.375 [9.5]	0.375 [9.5]	0.375 [9.5]	0.375 [9.5]
Face Area sq. ft. [sq. m]	13.5 [1.25]	13.5 [1.25]	13.5 [1.25]	13.5 [1.25]
Rows / FPI [FPcm]	2 / 18 [7]	2 / 18 [7]	2 / 18 [7]	2 / 18 [7]
Refrigerant Control	TX Valves	TX Valves	TX Valves	TX Valves
Drain Connection No./Size in. [mm]	1/1 [25.4]	1/1 [25.4]	1/1 [25.4]	1/1 [25.4]
<b>Outdoor Fan—Type</b>	Propeller	Propeller	Propeller	Propeller
No. Used/Diameter in. [mm]	2/24 [609.6]	2/24 [609.6]	2/24 [609.6]	2/24 [609.6]
Drive Type/No. Speeds	Direct/1	Direct/1	Direct/1	Direct/1
CFM [L/s]	8000 [3775]	8000 [3775]	8000 [3775]	8000 [3775]
No. Motors/HP	2 at 1/3 HP	2 at 1/3 HP	2 at 1/3 HP	2 at 1/3 HP
Motor RPM	1075	1075	1075	1075
<b>Indoor Fan—Type</b>	FC Centrifugal	FC Centrifugal	FC Centrifugal	FC Centrifugal
No. Used/Diameter in. [mm]	1/11x12 [279x305]	1/11x12 [279x305]	1/15x15 [381x381]	1/15x15 [381x381]
Drive Type/No. Speeds	Belt/Variable	Belt/Variable	Belt/Variable	Belt/Variable
No. Motors	1	1	1	1
Motor HP	1 1/2	1 1/2	2	2
Motor RPM	1725	1725	1725	1725
Motor Frame Size	56	56	56	56
<b>Filter—Type</b>	Disposable	Disposable	Disposable	Disposable
Furnished	Yes	Yes	Yes	Yes
(NO.) Size Recommended in. [mm x mm x mm]	(6)2x18x18 [51x457x457]	(6)2x18x18 [51x457x457]	(6)2x18x18 [51x457x457]	(6)2x18x18 [51x457x457]
<b>Refrigerant Charge Oz. [g]</b>	125 [3544]	125 [3544]	107.5/110.7 [3048/3138]	107.5/110.7 [3048/3138]
<b>Weights</b>				
Net Weight lbs. [kg]	901 [409]	901 [409]	1017 [461]	1017 [461]
Ship Weight lbs. [kg]	938 [425]	938 [425]	1054 [478]	1054 [478]

See Page 20 for Notes.

[ ] Designates Metric Conversions

## NOM. SIZES 6-12.5 TONS [21.1-44.0 kW] ASHRAE 90.1-2010 COMPLIANT MODELS

Model RLNL- Series	B090CN	B090DL	B090DM	B090DN
<b>Cooling Performance<sup>1</sup></b>				<b>CONTINUED</b> →
Gross Cooling Capacity Btu [kW]	93,000 [27.25]	93,000 [27.25]	93,000 [27.25]	93,000 [27.25]
EER/SEER <sup>2</sup>	11.2/NA	11.2/NA	11.2/NA	11.2/NA
Nominal CFM/AHRI Rated CFM [L/s]	3000/2775 [1416/1310]	3000/2775 [1416/1310]	3000/2775 [1416/1310]	3000/2775 [1416/1310]
AHRI Net Cooling Capacity Btu [kW]	90,000 [26.37]	90,000 [26.37]	90,000 [26.37]	90,000 [26.37]
Net Sensible Capacity Btu [kW]	63,100 [18.49]	63,100 [18.49]	63,100 [18.49]	63,100 [18.49]
Net Latent Capacity Btu [kW]	26,900 [7.88]	26,900 [7.88]	26,900 [7.88]	26,900 [7.88]
IEER <sup>3</sup>	11.9	11.9	11.9	11.9
Net System Power kW	7.99	7.99	7.99	7.99
<b>Compressor</b>				
No./Type	2/Scroll	2/Scroll	2/Scroll	2/Scroll
<b>Outdoor Sound Rating (dB)<sup>4</sup></b>	88	88	88	88
<b>Outdoor Coil—Fin Type</b>	Louvered	Louvered	Louvered	Louvered
Tube Type	Rifled	Rifled	Rifled	Rifled
Tube Size in. [mm] OD	0.375 [9.5]	0.375 [9.5]	0.375 [9.5]	0.375 [9.5]
Face Area sq. ft. [sq. m]	27 [2.51]	2.7 [0.25]	2.7 [0.25]	27 [2.51]
Rows / FPI [FPcm]	1 / 22 [9]	1 / 22 [9]	1 / 22 [9]	1 / 22 [9]
<b>Indoor Coil—Fin Type</b>	Louvered	Louvered	Louvered	Louvered
Tube Type	Rifled	Rifled	Rifled	Rifled
Tube Size in. [mm]	0.375 [9.5]	0.375 [9.5]	0.375 [9.5]	0.375 [9.5]
Face Area sq. ft. [sq. m]	13.5 [1.25]	13.5 [1.25]	13.5 [1.25]	13.5 [1.25]
Rows / FPI [FPcm]	2 / 18 [7]	2 / 18 [7]	2 / 18 [7]	2 / 18 [7]
Refrigerant Control	TX Valves	TX Valves	TX Valves	TX Valves
Drain Connection No./Size in. [mm]	1/1 [25.4]	1/1 [25.4]	1/1 [25.4]	1/1 [25.4]
<b>Outdoor Fan—Type</b>	Propeller	Propeller	Propeller	Propeller
No. Used/Diameter in. [mm]	2/24 [609.6]	2/24 [609.6]	2/24 [609.6]	2/24 [609.6]
Drive Type/No. Speeds	Direct/1	Direct/1	Direct/1	Direct/1
CFM [L/s]	8000 [3775]	8000 [3775]	8000 [3775]	8000 [3775]
No. Motors/HP	2 at 1/3 HP	2 at 1/3 HP	2 at 1/3 HP	2 at 1/3 HP
Motor RPM	1075	1075	1075	1075
<b>Indoor Fan—Type</b>	FC Centrifugal	FC Centrifugal	FC Centrifugal	FC Centrifugal
No. Used/Diameter in. [mm]	1/15x15 [381x381]	1/15x15 [381x381]	1/15x15 [381x381]	1/15x15 [381x381]
Drive Type/No. Speeds	Belt/Variable	Belt/Variable	Belt/Variable	Belt/Variable
No. Motors	1	1	1	1
Motor HP	3	2	2	3
Motor RPM	1725	1725	1725	1725
Motor Frame Size	56	56	56	56
<b>Filter—Type</b>	Disposable	Disposable	Disposable	Disposable
Furnished	Yes	Yes	Yes	Yes
(No.) Size Recommended in. [mm]	(6)2x18x18 [51x457x457]	(6)2x18x18 [51x457x457]	(6)2x18x18 [51x457x457]	(6)2x18x18 [51x457x457]
<b>Refrigerant Charge Oz. (Sys. 1/Sys. 2) [g]</b>	107.5/110.7 [3048/3138]	107.5/110.7 [3048/3138]	107.5/110.7 [3048/3138]	107.5/110.7 [3048/3138]
<b>Weights</b>				
Net Weight lbs. [kg]	1025 [465]	1017 [461]	1017 [461]	1025 [465]
Ship Weight lbs. [kg]	1062 [482]	1054 [478]	1054 [478]	1062 [482]

See Page 20 for Notes.

[ ] Designates Metric Conversions

## NOM. SIZES 6-12.5 TONS [21.1-44.0 kW] ASHRAE 90.1-2010 COMPLIANT MODELS

Model RLNL- Series	B090YL	B090YM	B090YN	B102CL
<b>Cooling Performance<sup>1</sup></b>				<b>CONTINUED</b> →
Gross Cooling Capacity Btu [kW]	93,000 [27.25]	93,000 [27.25]	93,000 [27.25]	101,000 [29.59]
EER/SEER <sup>2</sup>	11.2/NA	11.2/NA	11.2/NA	11.2/NA
Nominal CFM/AHRI Rated CFM [L/s]	3000/2775 [1416/1310]	3000/2775 [1416/1310]	3000/2775 [1416/1310]	3200/3200 [1510/1510]
AHRI Net Cooling Capacity Btu [kW]	90,000 [26.37]	90,000 [26.37]	90,000 [26.37]	97,000 [28.42]
Net Sensible Capacity Btu [kW]	63,100 [18.49]	63,100 [18.49]	63,100 [18.49]	74,000 [21.68]
Net Latent Capacity Btu [kW]	26,900 [7.88]	26,900 [7.88]	26,900 [7.88]	23,000 [6.74]
IEER <sup>3</sup>	11.9	11.9	11.9	12
Net System Power kW	7.99	7.99	7.99	8.59
<b>Compressor</b>				
No./Type	2/Scroll	2/Scroll	2/Scroll	2/Scroll
<b>Outdoor Sound Rating (dB)<sup>4</sup></b>	88	88	88	88
<b>Outdoor Coil—Fin Type</b>	Louvered	Louvered	Louvered	Louvered
Tube Type	Rifled	Rifled	Rifled	Rifled
Tube Size in. [mm] OD	0.375 [9.5]	0.375 [9.5]	0.375 [9.5]	0.375 [9.5]
Face Area sq. ft. [sq. m]	27 [2.51]	27 [2.51]	27 [2.51]	27 [2.51]
Rows / FPI [FPcm]	1 / 22 [9]	1 / 22 [9]	1 / 22 [9]	2 / 18 [7]
<b>Indoor Coil—Fin Type</b>	Louvered	Louvered	Louvered	Louvered
Tube Type	Rifled	Rifled	Rifled	Rifled
Tube Size in. [mm]	0.375 [9.5]	0.375 [9.5]	0.375 [9.5]	0.375 [9.5]
Face Area sq. ft. [sq. m]	13.5 [1.25]	13.5 [1.25]	13.5 [1.25]	13.5 [1.25]
Rows / FPI [FPcm]	2 / 18 [7]	2 / 18 [7]	2 / 18 [7]	2 / 18 [7]
Refrigerant Control	TX Valves	TX Valves	TX Valves	TX Valves
Drain Connection No./Size in. [mm]	1/1 [25.4]	1/1 [25.4]	1/1 [25.4]	1/1 [25.4]
<b>Outdoor Fan—Type</b>	Propeller	Propeller	Propeller	Propeller
No. Used/Diameter in. [mm]	2/24 [609.6]	2/24 [609.6]	2/24 [609.6]	2/24 [609.6]
Drive Type/No. Speeds	Direct/1	Direct/1	Direct/1	Direct/1
CFM [L/s]	8000 [3775]	8000 [3775]	8000 [3775]	8000 [3775]
No. Motors/HP	2 at 1/3 HP	2 at 1/3 HP	2 at 1/3 HP	2 at 1/3 HP
Motor RPM	1075	1075	1075	1075
<b>Indoor Fan—Type</b>	FC Centrifugal	FC Centrifugal	FC Centrifugal	FC Centrifugal
No. Used/Diameter in. [mm]	1/15x15 [381x381]	1/15x15 [381x381]	1/15x15 [381x381]	1/15x15 [381x381]
Drive Type/No. Speeds	Belt/Variable	Belt/Variable	Belt/Variable	Belt/Variable
No. Motors	1	1	1	1
Motor HP	2	2	3	2
Motor RPM	1725	1725	1725	1725
Motor Frame Size	56	56	56	56
<b>Filter—Type</b>	Disposable	Disposable	Disposable	Disposable
Furnished	Yes	Yes	Yes	Yes
(No.) Size Recommended in. [mm]	(6)2x18x18 [51x457x457]	(6)2x18x18 [51x457x457]	(6)2x18x18 [51x457x457]	(6)2x18x18 [51x457x457]
<b>Refrigerant Charge Oz. (Sys. 1/Sys. 2) [g]</b>	107.5/110.7 [3048/3138]	107.5/110.7 [3048/3138]	107.5/110.7 [3048/3138]	154.4/166.6 [4377/4723]
<b>Weights</b>				
Net Weight lbs. [kg]	1017 [461]	1017 [461]	1025 [465]	1059 [480]
Ship Weight lbs. [kg]	1054 [478]	1054 [478]	1062 [482]	1096 [497]

See Page 20 for Notes.

[ ] Designates Metric Conversions

## NOM. SIZES 6-12.5 TONS [21.1-44.0 kW] ASHRAE 90.1-2010 COMPLIANT MODELS

Model RLNL- Series	B102CM	B102DL	B102DM	B102YL
<b>Cooling Performance<sup>1</sup></b>				<b>CONTINUED</b> →
Gross Cooling Capacity Btu [kW]	101,000 [29.59]	101,000 [29.59]	101,000 [29.59]	101,000 [29.59]
EER/SEER <sup>2</sup>	11.2/NA	11.2/NA	11.2/NA	11.2/NA
Nominal CFM/AHRI Rated CFM [L/s]	3200/3200 [1510/1510]	3200/3200 [1510/1510]	3200/3200 [1510/1510]	3200/3200 [1510/1510]
AHRI Net Cooling Capacity Btu [kW]	97,000 [28.42]	97,000 [28.42]	97,000 [28.42]	97,000 [28.42]
Net Sensible Capacity Btu [kW]	74,000 [21.68]	74,000 [21.68]	74,000 [21.68]	74,000 [21.68]
Net Latent Capacity Btu [kW]	23,000 [6.74]	23,000 [6.74]	23,000 [6.74]	23,000 [6.74]
IEER <sup>3</sup>	12	12	12	12
Net System Power kW	8.59	8.59	8.59	8.59
<b>Compressor</b>				
No./Type	2/Scroll	2/Scroll	2/Scroll	2/Scroll
<b>Outdoor Sound Rating (dB)<sup>4</sup></b>	88	88	88	88
<b>Outdoor Coil—Fin Type</b>	Louvered	Louvered	Louvered	Louvered
Tube Type	Rifled	Rifled	Rifled	Rifled
Tube Size in. [mm] OD	0.375 [9.5]	0.375 [9.5]	0.375 [9.5]	0.375 [9.5]
Face Area sq. ft. [sq. m]	27 [2.51]	27 [2.51]	27 [2.51]	27 [2.51]
Rows / FPI [FPcm]	2 / 18 [7]	2 / 18 [7]	2 / 18 [7]	2 / 18 [7]
<b>Indoor Coil—Fin Type</b>	Louvered	Louvered	Louvered	Louvered
Tube Type	Rifled	Rifled	Rifled	Rifled
Tube Size in. [mm]	0.375 [9.5]	0.375 [9.5]	0.375 [9.5]	0.375 [9.5]
Face Area sq. ft. [sq. m]	13.5 [1.25]	13.5 [1.25]	13.5 [1.25]	13.5 [1.25]
Rows / FPI [FPcm]	2 / 18 [7]	2 / 18 [7]	2 / 18 [7]	2 / 18 [7]
Refrigerant Control	TX Valves	TX Valves	TX Valves	TX Valves
Drain Connection No./Size in. [mm]	1/1 [25.4]	1/1 [25.4]	1/1 [25.4]	1/1 [25.4]
<b>Outdoor Fan—Type</b>	Propeller	Propeller	Propeller	Propeller
No. Used/Diameter in. [mm]	2/24 [609.6]	2/24 [609.6]	2/24 [609.6]	2/24 [609.6]
Drive Type/No. Speeds	Direct/1	Direct/1	Direct/1	Direct/1
CFM [L/s]	8000 [3775]	8000 [3775]	8000 [3775]	8000 [3775]
No. Motors/HP	2 at 1/3 HP	2 at 1/3 HP	2 at 1/3 HP	2 at 1/3 HP
Motor RPM	1075	1075	1075	1075
<b>Indoor Fan—Type</b>	FC Centrifugal	FC Centrifugal	FC Centrifugal	FC Centrifugal
No. Used/Diameter in. [mm]	1/15x15 [381x381]	1/15x15 [381x381]	1/15x15 [381x381]	1/15x15 [381x381]
Drive Type/No. Speeds	Belt/Variable	Belt/Variable	Belt/Variable	Belt/Variable
No. Motors	1	1	1	1
Motor HP	3	2	3	2
Motor RPM	1725	1725	1725	1725
Motor Frame Size	56	56	56	56
<b>Filter—Type</b>	Disposable	Disposable	Disposable	Disposable
Furnished	Yes	Yes	Yes	Yes
(No.) Size Recommended in. [mm]	(6)2x18x18 [51x457x457]	(6)2x18x18 [51x457x457]	(6)2x18x18 [51x457x457]	(6)2x18x18 [51x457x457]
<b>Refrigerant Charge Oz. (Sys. 1/Sys. 2) [g]</b>	154.4/166.6 [4377/4723]	154.4/166.6 [4377/4723]	154.4/166.6 [4377/4723]	154.4/166.6 [4377/4723]
<b>Weights</b>				
Net Weight lbs. [kg]	1067 [484]	1059 [480]	1067 [484]	1059 [480]
Ship Weight lbs. [kg]	1104 [501]	1096 [497]	1104 [501]	1096 [497]

See Page 20 for Notes.

[ ] Designates Metric Conversions

## NOM. SIZES 6-12.5 TONS [21.1-44.0 kW] ASHRAE 90.1-2010 COMPLIANT MODELS

Model RLNL- Series	B102YM	B120CL	B120CM	B120DL
<b>Cooling Performance<sup>1</sup></b>				
Gross Cooling Capacity Btu [kW]	101,000 [29.59]	123,000 [36.04]	123,000 [36.04]	123,000 [36.04]
EER/SEER <sup>2</sup>	11.2/NA	11.2/NA	11.2/NA	11.2/NA
Nominal CFM/AHRI Rated CFM [L/s]	3200/3200 [1510/1510]	4000/3750 [1888/1770]	4000/3750 [1888/1770]	4000/3750 [1888/1770]
AHRI Net Cooling Capacity Btu [kW]	97,000 [28.42]	118,000 [34.57]	118,000 [34.57]	118,000 [34.57]
Net Sensible Capacity Btu [kW]	74,000 [21.68]	88,800 [26.02]	88,800 [26.02]	88,800 [26.02]
Net Latent Capacity Btu [kW]	23,000 [6.74]	29,200 [8.56]	29,200 [8.56]	29,200 [8.56]
IEER <sup>3</sup>	12	11.9	11.9	11.9
Net System Power kW	8.59	10.49	10.49	10.49
<b>Compressor</b>				
No./Type	2/Scroll	2/Scroll	2/Scroll	2/Scroll
<b>Outdoor Sound Rating (dB)<sup>4</sup></b>				
	88	88	88	88
<b>Outdoor Coil—Fin Type</b>				
Tube Type	Louvered	Louvered	Louvered	Louvered
Tube Size in. [mm] OD	Rifled	Rifled	Rifled	Rifled
Face Area sq. ft. [sq. m]	0.375 [9.5]	0.375 [9.5]	0.375 [9.5]	0.375 [9.5]
Rows / FPI [FPcm]	27 [2.51]	27 [2.51]	27 [2.51]	27 [2.51]
Rows / FPI [FPcm]	2 / 18 [7]	2 / 22 [9]	2 / 22 [9]	2 / 22 [9]
<b>Indoor Coil—Fin Type</b>				
Tube Type	Louvered	Louvered	Louvered	Louvered
Tube Type	Rifled	Rifled	Rifled	Rifled
Tube Size in. [mm]	0.375 [9.5]	0.375 [9.5]	0.375 [9.5]	0.375 [9.5]
Face Area sq. ft. [sq. m]	13.5 [1.25]	13.5 [1.25]	13.5 [1.25]	13.5 [1.25]
Rows / FPI [FPcm]	2 / 18 [7]	3 / 18 [7]	3 / 18 [7]	3 / 18 [7]
Refrigerant Control	TX Valves	TX Valves	TX Valves	TX Valves
Drain Connection No./Size in. [mm]	1/1 [25.4]	1/1 [25.4]	1/1 [25.4]	1/1 [25.4]
<b>Outdoor Fan—Type</b>				
No. Used/Diameter in. [mm]	Propeller	Propeller	Propeller	Propeller
Drive Type/No. Speeds	2/24 [609.6]	2/24 [609.6]	2/24 [609.6]	2/24 [609.6]
CFM [L/s]	Direct/1	Direct/1	Direct/1	Direct/1
No. Motors/HP	8000 [3775]	8000 [3775]	8000 [3775]	8000 [3775]
Motor RPM	2 at 1/3 HP	2 at 1/3 HP	2 at 1/3 HP	2 at 1/3 HP
	1075	1075	1075	1075
<b>Indoor Fan—Type</b>				
No. Used/Diameter in. [mm]	FC Centrifugal	FC Centrifugal	FC Centrifugal	FC Centrifugal
Drive Type/No. Speeds	1/15x15 [381x381]	1/15x15 [381x381]	1/15x15 [381x381]	1/15x15 [381x381]
No. Motors	Belt/Variable	Belt/Variable	Belt/Variable	Belt/Variable
Motor HP	1	1	1	1
Motor RPM	3	2	3	2
Motor Frame Size	1725	1725	1725	1725
	56	56	56	56
<b>Filter—Type</b>				
Furnished	Disposable	Disposable	Disposable	Disposable
(No.) Size Recommended in. [mm]	Yes	Yes	Yes	Yes
	(6)2x18x18 [51x457x457]	(6)2x18x18 [51x457x457]	(6)2x18x18 [51x457x457]	(6)2x18x18 [51x457x457]
<b>Refrigerant Charge Oz. (Sys. 1/Sys. 2) [g]</b>				
	154.4/166.6 [4377/4723]	172.8/180.8 [4899/5126]	172.8/180.8 [4899/5126]	172.8/180.8 [4899/5126]
<b>Weights</b>				
Net Weight lbs. [kg]	1059 [480]	1112 [504]	1120 [508]	1112 [504]
Ship Weight lbs. [kg]	1096 [497]	1149 [521]	1157 [525]	1149 [521]

**CONTINUED** →

See Page 20 for Notes.

[ ] Designates Metric Conversions



## NOM. SIZES 6-12.5 TONS [21.1-44.0 kW] ASHRAE 90.1-2010 COMPLIANT MODELS

Model RLNL- Series	B120DM	B120YL	B120YM	B151CL
<b>Cooling Performance<sup>1</sup></b>				<b>CONTINUED →</b>
Gross Cooling Capacity Btu [kW]	123,000 [36.04]	123,000 [36.04]	123,000 [36.04]	156,000 [45.71]
EER/SEER <sup>2</sup>	11.2/NA	11.2/NA	11.2/NA	11.1/NA
Nominal CFM/AHRI Rated CFM [L/s]	4000/3750 [1888/1770]	4000/3750 [1888/1770]	4000/3750 [1888/1770]	5000/4225 [2360/1994]
AHRI Net Cooling Capacity Btu [kW]	118,000 [34.57]	118,000 [34.57]	118,000 [34.57]	150,000 [43.95]
Net Sensible Capacity Btu [kW]	88,800 [26.02]	88,800 [26.02]	88,800 [26.02]	106,600 [31.23]
Net Latent Capacity Btu [kW]	29,200 [8.56]	29,200 [8.56]	29,200 [8.56]	43,400 [12.72]
IEER <sup>3</sup>	11.9	11.9	11.9	10.8
Net System Power kW	10.49	10.49	10.49	13.54
<b>Compressor</b>				
No./Type	2/Scroll	2/Scroll	2/Scroll	2/Scroll
<b>Outdoor Sound Rating (dB)<sup>4</sup></b>	88	88	88	88
<b>Outdoor Coil—Fin Type</b>	Louvered	Louvered	Louvered	Louvered
Tube Type	Rifled	Rifled	Rifled	MicroChannel
Tube Size in. [mm] OD	0.375 [9.5]	0.375 [9.5]	0.375 [9.5]	1 [25.4]
Face Area sq. ft. [sq. m]	27 [2.51]	27 [2.51]	27 [2.51]	27 [2.51]
Rows / FPI [FPcm]	2 / 22 [9]	2 / 22 [9]	2 / 22 [9]	2 / 23 [9]
<b>Indoor Coil—Fin Type</b>	Louvered	Louvered	Louvered	Louvered
Tube Type	Rifled	Rifled	Rifled	Rifled
Tube Size in. [mm]	0.375 [9.5]	0.375 [9.5]	0.375 [9.5]	0.375 [9.5]
Face Area sq. ft. [sq. m]	13.5 [1.25]	13.5 [1.25]	13.5 [1.25]	13.5 [1.25]
Rows / FPI [FPcm]	3 / 18 [7]	3 / 18 [7]	3 / 18 [7]	4 / 15 [6]
Refrigerant Control	TX Valves	TX Valves	TX Valves	TX Valves
Drain Connection No./Size in. [mm]	1/1 [25.4]	1/1 [25.4]	1/1 [25.4]	1/1 [25.4]
<b>Outdoor Fan—Type</b>	Propeller	Propeller	Propeller	Propeller
No. Used/Diameter in. [mm]	2/24 [609.6]	2/24 [609.6]	2/24 [609.6]	2/24 [609.6]
Drive Type/No. Speeds	Direct/1	Direct/1	Direct/1	Direct/1
CFM [L/s]	8000 [3775]	8000 [3775]	8000 [3775]	8000 [3775]
No. Motors/HP	2 at 1/3 HP	2 at 1/3 HP	2 at 1/3 HP	2 at 1/2 HP
Motor RPM	1075	1075	1075	1075
<b>Indoor Fan—Type</b>	FC Centrifugal	FC Centrifugal	FC Centrifugal	FC Centrifugal
No. Used/Diameter in. [mm]	1/15x15 [381x381]	1/15x15 [381x381]	1/15x15 [381x381]	1/15x15 [381x381]
Drive Type/No. Speeds	Belt/Variable	Belt/Variable	Belt/Variable	Belt/Variable
No. Motors	1	1	1	1
Motor HP	3	2	3	3
Motor RPM	1725	1725	1725	1725
Motor Frame Size	56	56	56	56
<b>Filter—Type</b>	Disposable	Disposable	Disposable	Disposable
Furnished	Yes	Yes	Yes	Yes
(No.) Size Recommended in. [mm]	(6)2x18x18 [51x457x457]	(6)2x18x18 [51x457x457]	(6)2x18x18 [51x457x457]	(6)2x18x18 [51x457x457]
<b>Refrigerant Charge Oz. (Sys. 1/Sys. 2) [g]</b>	172.8/180.8 [4899/5126]	172.8/180.8 [4899/5126]	172.8/180.8 [4899/5126]	147.2/152 [4173/4309]
<b>Weights</b>				
Net Weight lbs. [kg]	1120 [508]	1112 [504]	1120 [508]	1230 [558]
Ship Weight lbs. [kg]	1157 [525]	1149 [521]	1157 [525]	1267 [575]

See Page 20 for Notes.

[ ] Designates Metric Conversions

## NOM. SIZES 6-12.5 TONS [21.1-44.0 kW] ASHRAE 90.1-2010 COMPLIANT MODELS

Model RLNL- Series	B151CM	B151DL	B151DM	B151YL
<b>Cooling Performance<sup>1</sup></b>				
Gross Cooling Capacity Btu [kW]	156,000 [45.71]	156,000 [45.71]	156,000 [45.71]	156,000 [45.71]
EER/SEER <sup>2</sup>	11.1/NA	11.1/NA	11.1/NA	11.1/NA
Nominal CFM/AHRI Rated CFM [L/s]	5000/4225 [2360/1994]	5000/4225 [2360/1994]	5000/4225 [2360/1994]	5000/4225 [2360/1994]
AHRI Net Cooling Capacity Btu [kW]	150,000 [43.95]	150,000 [43.95]	150,000 [43.95]	150,000 [43.95]
Net Sensible Capacity Btu [kW]	106,600 [31.23]	106,600 [31.23]	106,600 [31.23]	106,600 [31.23]
Net Latent Capacity Btu [kW]	43,400 [12.72]	43,400 [12.72]	43,400 [12.72]	43,400 [12.72]
IEER <sup>3</sup>	10.8	10.8	10.8	10.8
Net System Power kW	13.54	13.54	13.54	13.54
<b>Compressor</b>				
No./Type	2/Scroll	2/Scroll	2/Scroll	2/Scroll
<b>Outdoor Sound Rating (dB)<sup>4</sup></b>				
	88	88	88	88
<b>Outdoor Coil—Fin Type</b>				
Tube Type	Louvered	Louvered	Louvered	Louvered
Tube Size in. [mm] OD	MicroChannel	MicroChannel	MicroChannel	MicroChannel
Face Area sq. ft. [sq. m]	1 [25.4]	1 [25.4]	1 [25.4]	1 [25.4]
Rows / FPI [FPcm]	27 [2.51]	27 [2.51]	27 [2.51]	27 [2.51]
Rows / FPI [FPcm]	2 / 23 [9]	2 / 23 [9]	2 / 23 [9]	2 / 23 [9]
<b>Indoor Coil—Fin Type</b>				
Tube Type	Louvered	Louvered	Louvered	Louvered
Tube Type	Rifled	Rifled	Rifled	Rifled
Tube Size in. [mm]	0.375 [9.5]	0.375 [9.5]	0.375 [9.5]	0.375 [9.5]
Face Area sq. ft. [sq. m]	13.5 [1.25]	13.5 [1.25]	13.5 [1.25]	13.5 [1.25]
Rows / FPI [FPcm]	4 / 15 [6]	4 / 15 [6]	4 / 15 [6]	4 / 15 [6]
Refrigerant Control	TX Valves	TX Valves	TX Valves	TX Valves
Drain Connection No./Size in. [mm]	1/1 [25.4]	1/1 [25.4]	1/1 [25.4]	1/1 [25.4]
<b>Outdoor Fan—Type</b>				
No. Used/Diameter in. [mm]	Propeller	Propeller	Propeller	Propeller
Drive Type/No. Speeds	2/24 [609.6]	2/24 [609.6]	2/24 [609.6]	2/24 [609.6]
CFM [L/s]	Direct/1	Direct/1	Direct/1	Direct/1
No. Motors/HP	8000 [3775]	8000 [3775]	8000 [3775]	8000 [3775]
Motor RPM	2 at 1/2 HP	2 at 1/2 HP	2 at 1/2 HP	2 at 1/2 HP
Motor RPM	1075	1075	1075	1075
<b>Indoor Fan—Type</b>				
No. Used/Diameter in. [mm]	FC Centrifugal	FC Centrifugal	FC Centrifugal	FC Centrifugal
Drive Type/No. Speeds	1/15x15 [381x381]	1/15x15 [381x381]	1/15x15 [381x381]	1/15x15 [381x381]
No. Motors	Belt/Variable	Belt/Variable	Belt/Variable	Belt/Variable
Motor HP	1	1	1	1
Motor RPM	5	3	5	3
Motor Frame Size	1725	1725	1725	1725
Motor Frame Size	184	56	184	56
<b>Filter—Type</b>				
Furnished	Disposable	Disposable	Disposable	Disposable
(No.) Size Recommended in. [mm]	Yes	Yes	Yes	Yes
	(6)2x18x18 [51x457x457]	(6)2x18x18 [51x457x457]	(6)2x18x18 [51x457x457]	(6)2x18x18 [51x457x457]
<b>Refrigerant Charge Oz. (Sys. 1/Sys. 2) [g]</b>				
	147.2/152 [4173/4309]	147.2/152 [4173/4309]	147.2/152 [4173/4309]	147.2/152 [4173/4309]
<b>Weights</b>				
Net Weight lbs. [kg]	1238 [562]	1230 [558]	1238 [562]	1230 [558]
Ship Weight lbs. [kg]	1275 [578]	1267 [575]	1275 [578]	1267 [575]

See Page 20 for Notes.

[ ] Designates Metric Conversions

## NOM. SIZES 6-12.5 TONS [21.1-44.0 kW] ASHRAE 90.1-2010 COMPLIANT MODELS

Model RLNL- Series	B151YM
<b>Cooling Performance<sup>1</sup></b>	
Gross Cooling Capacity Btu [kW]	156,000 [45.71]
EER/SEER <sup>2</sup>	11.1/NA
Nominal CFM/AHRI Rated CFM [L/s]	5000/4225 [2360/1994]
AHRI Net Cooling Capacity Btu [kW]	150,000 [43.95]
Net Sensible Capacity Btu [kW]	106,600 [31.23]
Net Latent Capacity Btu [kW]	43,400 [12.72]
IEER <sup>3</sup>	10.8
Net System Power kW	13.54
<b>Compressor</b>	
No./Type	2/Scroll
<b>Outdoor Sound Rating (dB)<sup>4</sup></b>	
	88
<b>Outdoor Coil—Fin Type</b>	
	Louvered
Tube Type	MicroChannel
Tube Size in. [mm] OD	1 [25.4]
Face Area sq. ft. [sq. m]	27 [2.51]
Rows / FPI [FPcm]	2 / 23 [9]
<b>Indoor Coil—Fin Type</b>	
	Louvered
Tube Type	Rifled
Tube Size in. [mm]	0.375 [9.5]
Face Area sq. ft. [sq. m]	13.5 [1.25]
Rows / FPI [FPcm]	4 / 15 [6]
Refrigerant Control	TX Valves
Drain Connection No./Size in. [mm]	1/1 [25.4]
<b>Outdoor Fan—Type</b>	
	Propeller
No. Used/Diameter in. [mm]	2/24 [609.6]
Drive Type/No. Speeds	Direct/1
CFM [L/s]	8000 [3775]
No. Motors/HP	2 at 1/2 HP
Motor RPM	1075
<b>Indoor Fan—Type</b>	
	FC Centrifugal
No. Used/Diameter in. [mm]	1/15x15 [381x381]
Drive Type/No. Speeds	Belt/Variable
No. Motors	1
Motor HP	5
Motor RPM	1725
Motor Frame Size	184
<b>Filter—Type</b>	
	Disposable
Furnished	Yes
(No.) Size Recommended in. [mm]	(6)2x18x18 [51x457x457]
<b>Refrigerant Charge Oz. (Sys. 1/Sys. 2) [g]</b>	
	147.2/152 [4173/4309]
<b>Weights</b>	
Net Weight lbs. [kg]	1238 [562]
Ship Weight lbs. [kg]	1275 [578]

See Page 20 for Notes.

[ ] Designates Metric Conversions

## NOTES:

1. Cooling Performance is rated at 95° F ambient, 80° F entering dry bulb, 67° F entering wet bulb. Gross capacity does not include the effect of fan motor heat. AHRI capacity is net and includes the effect of fan motor heat. Units are suitable for operation to  $\pm 20\%$  of nominal cfm. Units are certified in accordance with the Unitary Air Conditioner Equipment certification program, which is based on AHRI Standard 340/360.
2. EER and/or SEER are rated at AHRI conditions and in accordance with DOE test procedures.
3. IEER is rated in accordance with AHRI Standard 340/360. Units are rated at 80° F ambient, 80° F entering dry bulb, and 67° F entering wet bulb at AHRI rated cfm.
4. Outdoor Sound Rating shown is tested in accordance with AHRI Standard 270.



## GROSS SYSTEMS PERFORMANCE DATA—B073

		ENTERING INDOOR AIR @ 80°F [26.7°C] dbE ①									
		wbE	71°F [21.7°C]			67°F [19.4°C]			63°F [17.2°C]		
		CFM [L/s]	2790 [1317]	2325 [1097]	1860 [878]	2790 [1317]	2325 [1097]	1860 [878]	2790 [1317]	2325 [1097]	1860 [878]
		DR ①	.06	.01	.15	.06	.01	.15	.06	.01	.15
OUTDOOR DRY BULB TEMPERATURE °F [°C]	75 [23.9]	Total BTUH [kW]	92.8 [27.2]	89.5 [26.2]	86.3 [25.3]	86.4 [25.3]	83.4 [24.4]	80.3 [23.5]	81.8 [24.0]	78.9 [23.1]	76.1 [22.3]
		Sens BTUH [kW]	58.8 [17.2]	50.5 [14.8]	42.9 [12.6]	67.9 [19.9]	59.1 [17.3]	50.8 [14.9]	75.4 [22.1]	66.1 [19.4]	57.4 [16.8]
		Power	4.7	4.6	4.5	4.6	4.5	4.5	4.6	4.5	4.4
	80 [26.7]	Total BTUH [kW]	90.8 [26.6]	87.6 [25.7]	84.4 [24.7]	84.4 [24.7]	81.4 [23.8]	78.5 [23.0]	79.8 [23.4]	77.0 [22.6]	74.2 [21.7]
		Sens BTUH [kW]	58.1 [17.0]	49.9 [14.6]	42.3 [12.4]	67.0 [19.6]	58.3 [17.1]	50.2 [14.7]	74.7 [21.9]	65.5 [19.2]	56.8 [16.6]
		Power	4.9	4.8	4.7	4.9	4.8	4.7	4.8	4.7	4.7
	85 [29.4]	Total BTUH [kW]	88.6 [26.0]	85.5 [25.1]	82.4 [24.1]	82.2 [24.1]	79.4 [23.3]	76.5 [22.4]	77.7 [22.8]	74.9 [21.9]	72.2 [21.2]
		Sens BTUH [kW]	57.0 [16.7]	49.0 [14.4]	41.6 [12.2]	66.0 [19.3]	57.6 [16.9]	49.6 [14.5]	73.7 [21.6]	64.6 [18.9]	56.1 [16.4]
		Power	5.2	5.1	5.0	5.1	5.1	5.0	5.1	5.0	4.9
	90 [32.2]	Total BTUH [kW]	86.3 [25.3]	83.2 [24.4]	80.2 [23.5]	79.9 [23.4]	77.1 [22.6]	74.3 [21.8]	75.3 [22.1]	72.7 [21.3]	70.0 [20.5]
	Sens BTUH [kW]	55.9 [16.4]	48.0 [14.1]	40.8 [12.0]	64.9 [19.0]	56.6 [16.6]	48.8 [14.3]	72.5 [21.2]	63.7 [18.7]	55.3 [16.2]	
	Power	5.5	5.4	5.3	5.4	5.3	5.2	5.4	5.3	5.2	
95 [35]	Total BTUH [kW]	83.7 [24.5]	80.8 [23.7]	77.9 [22.8]	77.4 [22.7]	74.7 [21.9]	71.9 [21.1]	72.8 [21.3]	70.2 [20.6]	67.7 [19.8]	
	Sens BTUH [kW]	54.4 [15.9]	46.9 [13.7]	39.9 [11.7]	63.6 [18.6]	55.5 [16.3]	47.8 [14.0]	71.2 [20.9]	62.5 [18.3]	54.4 [15.9]	
	Power	5.8	5.7	5.6	5.7	5.6	5.5	5.7	5.6	5.5	
100 [37.8]	Total BTUH [kW]	81.0 [23.7]	78.2 [22.9]	75.4 [22.1]	74.7 [21.9]	72.1 [21.1]	69.4 [20.3]	70.1 [20.5]	67.6 [19.8]	65.2 [19.1]	
	Sens BTUH [kW]	52.9 [15.5]	45.6 [13.4]	38.8 [11.4]	62.1 [18.2]	54.2 [15.9]	46.7 [13.7]	69.6 [20.4]	61.2 [17.9]	53.3 [15.6]	
	Power	6.1	6.0	5.9	6.1	6.0	5.9	6.0	5.9	5.8	
105 [40.6]	Total BTUH [kW]	78.2 [22.9]	75.4 [22.1]	72.7 [21.3]	71.8 [21.0]	69.3 [20.3]	66.8 [19.6]	67.2 [19.7]	64.8 [19.0]	62.5 [18.3]	
	Sens BTUH [kW]	51.3 [15.0]	44.1 [12.9]	37.5 [11.0]	60.2 [17.6]	52.6 [15.4]	45.4 [13.3]	67.2 [19.7]	59.7 [17.5]	52.0 [15.2]	
	Power	6.5	6.4	6.2	6.4	6.3	6.2	6.4	6.3	6.2	
110 [43.3]	Total BTUH [kW]	75.1 [22.0]	72.5 [21.2]	69.8 [20.5]	68.7 [20.1]	66.3 [19.4]	63.9 [18.7]	64.2 [18.8]	61.9 [18.1]	59.6 [17.5]	
	Sens BTUH [kW]	49.2 [14.4]	42.4 [12.4]	36.0 [10.5]	58.3 [17.1]	50.9 [14.9]	44.0 [12.9]	64.2 [18.8]	58.0 [17.0]	50.5 [14.8]	
	Power	6.8	6.7	6.6	6.8	6.7	6.6	6.8	6.6	6.5	
115 [46.1]	Total BTUH [kW]	71.9 [21.1]	69.3 [20.3]	66.8 [19.6]	65.5 [19.2]	63.2 [18.5]	60.9 [17.8]	60.9 [17.8]	58.8 [17.2]	56.6 [16.6]	
	Sens BTUH [kW]	47.1 [13.8]	40.5 [11.9]	34.5 [10.1]	56.2 [16.5]	49.1 [14.4]	42.4 [12.4]	60.9 [17.8]	56.2 [16.5]	49.0 [14.4]	
	Power	7.2	7.1	7.0	7.2	7.1	6.9	7.1	7.0	6.9	

## GROSS SYSTEMS PERFORMANCE DATA—B090

		ENTERING INDOOR AIR @ 80°F [26.7°C] dbE ①									
		wbE	71°F [21.7°C]			67°F [19.4°C]			63°F [17.2°C]		
		CFM [L/s]	3600 [1699]	2775 [1310]	2440 [1152]	3600 [1699]	2775 [1310]	2440 [1152]	3600 [1699]	2775 [1310]	2440 [1152]
		DR ①	.06	.13	.17	.06	.13	.17	.06	.13	.17
OUTDOOR DRY BULB TEMPERATURE °F [°C]	75 [23.9]	Total BTUH [kW]	111.2 [32.6]	105.5 [30.9]	102.9 [30.2]	107.2 [31.4]	101.7 [29.8]	99.2 [29.1]	101.3 [29.7]	96.1 [28.2]	93.8 [27.5]
		Sens BTUH [kW]	68.2 [20.0]	54.2 [15.9]	48.3 [14.2]	84.6 [24.8]	68.8 [20.2]	62.1 [18.2]	93.5 [27.4]	76.9 [22.5]	69.9 [20.5]
		Power	5.8	5.6	5.6	5.7	5.6	5.5	5.7	5.5	5.4
	80 [26.7]	Total BTUH [kW]	109.7 [32.1]	104.0 [30.5]	101.5 [29.7]	105.7 [31.0]	100.3 [29.4]	97.8 [28.7]	99.8 [29.2]	94.7 [27.8]	92.3 [27.1]
		Sens BTUH [kW]	68.3 [20.0]	54.3 [15.9]	48.5 [14.2]	84.6 [24.8]	68.9 [20.2]	62.2 [18.2]	93.5 [27.4]	77.0 [22.6]	69.9 [20.5]
		Power	6.1	6.0	5.9	6.0	5.9	5.8	6.0	5.8	5.8
	85 [29.4]	Total BTUH [kW]	107.7 [31.6]	102.2 [30.0]	99.7 [29.2]	103.7 [30.4]	98.4 [28.8]	96.0 [28.1]	97.8 [28.7]	92.8 [27.2]	90.5 [26.5]
		Sens BTUH [kW]	67.8 [19.9]	54.0 [15.8]	48.3 [14.2]	84.0 [24.6]	68.5 [20.1]	61.9 [18.2]	92.9 [27.2]	76.6 [22.5]	69.6 [20.4]
		Power	6.5	6.3	6.2	6.4	6.2	6.2	6.3	6.2	6.1
	90 [32.2]	Total BTUH [kW]	105.3 [30.9]	99.9 [29.3]	97.5 [28.6]	101.4 [29.7]	96.2 [28.2]	93.8 [27.5]	95.4 [28.0]	90.5 [26.5]	88.3 [25.9]
	Sens BTUH [kW]	66.6 [19.5]	53.1 [15.6]	47.5 [13.9]	83.1 [24.4]	67.8 [19.9]	61.3 [18.0]	91.9 [26.9]	75.8 [22.2]	69.0 [20.2]	
	Power	6.8	6.7	6.6	6.8	6.6	6.5	6.7	6.5	6.4	
95 [35]	Total BTUH [kW]	102.5 [30.0]	97.3 [28.5]	94.9 [27.8]	98.5 [28.9]	93.5 [27.4]	91.2 [26.7]	92.6 [27.1]	87.9 [25.8]	85.7 [25.1]	
	Sens BTUH [kW]	65.1 [19.1]	52.0 [15.2]	46.5 [13.6]	81.5 [23.9]	66.6 [19.5]	60.2 [17.7]	90.4 [26.5]	74.7 [21.9]	67.9 [19.9]	
	Power	7.2	7.0	6.9	7.2	7.0	6.9	7.1	6.9	6.8	
100 [37.8]	Total BTUH [kW]	99.3 [29.1]	94.2 [27.6]	91.9 [26.9]	95.3 [27.9]	90.4 [26.5]	88.2 [25.8]	89.4 [26.2]	84.8 [24.9]	82.7 [24.2]	
	Sens BTUH [kW]	63.2 [18.5]	50.4 [14.8]	45.1 [13.2]	79.6 [23.3]	65.0 [19.1]	58.8 [17.2]	88.4 [25.9]	73.0 [21.4]	66.4 [19.5]	
	Power	7.6	7.4	7.3	7.6	7.4	7.3	7.5	7.3	7.2	
105 [40.6]	Total BTUH [kW]	95.6 [28.0]	90.7 [26.6]	88.5 [25.9]	91.6 [26.8]	86.9 [25.5]	84.8 [24.9]	85.7 [25.1]	81.3 [23.8]	79.3 [23.2]	
	Sens BTUH [kW]	60.6 [17.8]	48.3 [14.2]	43.2 [12.7]	77.0 [22.6]	62.9 [18.4]	57.0 [16.7]	85.7 [25.1]	71.0 [20.8]	64.6 [18.9]	
	Power	8.1	7.9	7.8	8.0	7.8	7.7	7.9	7.7	7.6	
110 [43.3]	Total BTUH [kW]	91.5 [26.8]	86.8 [25.4]	84.7 [24.8]	87.5 [25.6]	83.0 [24.3]	81.0 [23.7]	81.6 [23.9]	77.4 [22.7]	75.5 [22.1]	
	Sens BTUH [kW]	57.6 [16.9]	45.9 [13.5]	41.0 [12.0]	73.9 [21.7]	60.4 [17.7]	54.7 [16.0]	81.6 [23.9]	68.5 [20.1]	62.4 [18.3]	
	Power	8.5	8.3	8.2	8.4	8.2	8.1	8.4	8.2	8.1	
115 [46.1]	Total BTUH [kW]	87.0 [25.5]	82.5 [24.2]	80.5 [23.6]	83.0 [24.3]	78.7 [23.1]	76.8 [22.5]	77.1 [22.6]	73.1 [21.4]	71.3 [20.9]	
	Sens BTUH [kW]	54.1 [15.9]	43.0 [12.6]	38.4 [11.3]	70.5 [20.7]	57.6 [16.9]	52.2 [15.3]	77.1 [22.6]	65.7 [19.3]	59.9 [17.6]	
	Power	9.0	8.8	8.6	8.9	8.7	8.6	8.8	8.6	8.5	

DR —Depression ratio  
dbE—Entering air dry bulb  
wbE—Entering air wet bulb

Total —Total capacity x 1000 BTUH  
Sens —Sensible capacity x 1000 BTUH  
Power —KW input

NOTES: ① When the entering air dry bulb is other than 80°F [27°C], adjust the sensible capacity from the table by adding [1.10 x CFM x (1 - DR) x (dbE - 80)].

[ ] Designates Metric Conversions





## GROSS SYSTEMS PERFORMANCE DATA—B102

ENTERING INDOOR AIR @ 80°F [26.7°C] ①											
wbE		71°F [21.7°C]			67°F [19.4°C]			63°F [17.2°C]			
CFM [L/s]		4100 [1935]	3200 [1510]	2700 [1274]	4100 [1935]	3200 [1510]	2700 [1274]	4100 [1935]	3200 [1510]	2700 [1274]	
DR ①		0	.05	.08	0	.05	.08	0	.05	.08	
OUTDOOR DRY BULB TEMPERATURE °F [°C]	75 [23.9]	Total BTUH [kW] Sens BTUH [kW] Power	113.8 [33.4] 69.9 [20.5] 6.4	108.3 [31.7] 56.3 [16.5] 6.3	105.2 [30.8] 49.3 [14.5] 6.2	110.1 [32.3] 91.3 [26.8] 6.3	104.7 [30.7] 75.3 [22.1] 6.2	101.7 [29.8] 67.0 [19.6] 6.1	105.0 [30.8] 103.1 [30.2] 6.2	99.9 [29.3] 86.0 [25.2] 6.1	97.0 [28.4] 77.0 [22.6] 6.0
	80 [26.7]	Total BTUH [kW] Sens BTUH [kW] Power	113.7 [33.3] 71.7 [21.0] 6.7	108.2 [31.7] 57.9 [17.0] 6.6	105.1 [30.8] 50.8 [14.9] 6.5	110.0 [32.2] 93.1 [27.3] 6.7	104.6 [30.7] 76.9 [22.5] 6.5	101.7 [29.8] 68.6 [20.1] 6.4	104.9 [30.7] 104.9 [30.8] 6.6	99.8 [29.2] 87.6 [25.7] 6.4	96.9 [28.4] 78.5 [23.0] 6.3
	85 [29.4]	Total BTUH [kW] Sens BTUH [kW] Power	112.9 [33.1] 72.6 [21.3] 7.1	107.5 [31.5] 58.8 [17.2] 6.9	104.4 [30.6] 51.6 [15.1] 6.8	109.2 [32.0] 94.0 [27.6] 7.0	103.9 [30.5] 77.8 [22.8] 6.8	101.0 [29.6] 69.4 [20.3] 6.7	104.1 [30.5] 104.1 [30.5] 6.9	99.1 [29.0] 88.5 [25.9] 6.7	96.2 [28.2] 79.4 [23.3] 6.7
	90 [32.2]	Total BTUH [kW] Sens BTUH [kW] Power	111.5 [32.7] 72.9 [21.4] 7.4	106.1 [31.1] 59.0 [17.3] 7.3	103.1 [30.2] 51.9 [15.2] 7.2	107.8 [31.6] 94.2 [27.6] 7.4	102.5 [30.0] 78.0 [22.9] 7.2	99.6 [29.2] 69.6 [20.4] 7.1	102.7 [30.1] 102.7 [30.1] 7.3	97.7 [28.6] 88.7 [26.0] 7.1	94.9 [27.8] 79.6 [23.3] 7.0
	95 [35]	Total BTUH [kW] Sens BTUH [kW] Power	109.4 [32.1] 72.2 [21.2] 7.8	104.1 [30.5] 58.5 [17.2] 7.6	101.1 [29.6] 51.5 [15.1] 7.5	105.7 [31.0] 93.6 [27.4] 7.7	100.5 [29.5] 77.5 [22.7] 7.6	97.7 [28.6] 69.3 [20.3] 7.4	100.6 [29.5] 100.6 [29.5] 7.7	95.7 [28.0] 88.2 [25.9] 7.5	93.0 [27.3] 79.3 [23.3] 7.4
	100 [37.8]	Total BTUH [kW] Sens BTUH [kW] Power	106.6 [31.2] 70.7 [20.7] 8.2	101.4 [29.7] 57.3 [16.8] 8.0	98.6 [28.9] 50.5 [14.8] 7.9	102.9 [30.2] 92.1 [27.0] 8.1	97.9 [28.7] 76.4 [22.4] 8.0	95.1 [27.9] 68.2 [20.0] 7.8	97.8 [28.7] 97.8 [28.7] 8.1	93.0 [27.3] 87.0 [25.5] 7.9	90.4 [26.5] 78.2 [22.9] 7.8
	105 [40.6]	Total BTUH [kW] Sens BTUH [kW] Power	103.2 [30.2] 68.4 [20.1] 8.7	98.1 [28.8] 55.4 [16.2] 8.4	95.4 [28.0] 48.9 [14.3] 8.3	99.4 [29.1] 89.7 [26.3] 8.6	94.6 [27.7] 74.5 [21.8] 8.4	91.9 [26.9] 66.6 [19.5] 8.2	94.3 [27.6] 94.3 [27.6] 8.5	89.8 [26.3] 85.2 [25.0] 8.3	87.2 [25.6] 76.6 [22.5] 8.2
	110 [43.3]	Total BTUH [kW] Sens BTUH [kW] Power	99.0 [29.0] 65.2 [19.1] 9.1	94.2 [27.6] 52.8 [15.5] 8.9	91.5 [26.8] 46.4 [13.6] 8.8	95.3 [27.9] 86.7 [25.4] 9.0	90.7 [26.6] 72.0 [21.1] 8.8	88.1 [25.8] 64.3 [18.9] 8.7	90.2 [26.4] 90.2 [26.4] 8.9	85.8 [25.1] 82.5 [24.2] 8.7	83.4 [24.4] 74.3 [21.8] 8.6
	115 [46.1]	Total BTUH [kW] Sens BTUH [kW] Power	94.2 [27.6] 61.3 [18.0] 9.6	89.6 [26.3] 49.6 [14.5] 9.3	87.1 [25.5] 43.7 [12.8] 9.2	90.5 [26.5] 82.7 [24.2] 9.5	86.1 [25.2] 68.7 [20.1] 9.3	83.7 [24.5] 61.5 [18.0] 9.1	85.4 [25.0] 85.4 [25.0] 9.4	81.3 [23.8] 79.4 [23.3] 9.2	78.9 [23.1] 71.4 [20.9] 9.1

## GROSS SYSTEMS PERFORMANCE DATA—B120

ENTERING INDOOR AIR @ 80°F [26.7°C] dbE ①											
wbE		71°F [21.7°C]			67°F [19.4°C]			63°F [17.2°C]			
CFM [L/s]		4800 [2265]	3750 [1770]	3200 [1510]	4800 [2265]	3750 [1770]	3200 [1510]	4800 [2265]	3750 [1770]	3200 [1510]	
DR ①		0	.03	.07	0	.03	.07	0	.03	.07	
OUTDOOR DRY BULB TEMPERATURE °F [°C]	75 [23.9]	Total BTUH [kW] Sens BTUH [kW] Power	149.3 [43.8] 99.7 [29.2] 7.3	142.1 [41.6] 81.0 [23.7] 7.2	138.3 [40.5] 71.9 [21.1] 7.1	139.6 [40.9] 117.9 [34.6] 7.2	132.8 [38.9] 97.5 [28.6] 7.0	129.3 [37.9] 87.6 [25.7] 6.9	130.9 [38.4] 130.9 [38.4] 7.1	124.6 [36.5] 109.7 [32.2] 6.9	121.3 [35.5] 99.1 [29.1] 6.8
	80 [26.7]	Total BTUH [kW] Sens BTUH [kW] Power	147.2 [43.1] 99.2 [29.1] 7.8	140.0 [41.0] 80.5 [23.6] 7.6	136.3 [39.9] 71.5 [21.0] 7.5	137.4 [40.3] 117.1 [34.3] 7.7	130.8 [38.3] 97.0 [28.4] 7.5	127.3 [37.3] 87.1 [25.5] 7.4	128.8 [37.7] 128.8 [37.8] 7.6	122.6 [35.9] 109.3 [32.0] 7.4	119.3 [35.0] 98.7 [28.9] 7.3
	85 [29.4]	Total BTUH [kW] Sens BTUH [kW] Power	144.7 [42.4] 98.0 [28.7] 8.3	137.7 [40.4] 79.7 [23.4] 8.1	134.0 [39.3] 70.8 [20.8] 8.0	135.0 [39.6] 116.2 [34.1] 8.2	128.5 [37.7] 96.3 [28.2] 8.0	125.0 [36.6] 86.4 [25.3] 7.9	126.4 [37.0] 126.4 [37.1] 8.0	120.2 [35.2] 108.4 [31.8] 7.8	117.0 [34.3] 98.0 [28.7] 7.7
	90 [32.2]	Total BTUH [kW] Sens BTUH [kW] Power	142.0 [41.6] 96.8 [28.4] 8.8	135.1 [39.6] 78.7 [23.1] 8.6	131.5 [38.5] 70.0 [20.5] 8.5	132.3 [38.8] 114.9 [33.7] 8.7	125.9 [36.9] 95.2 [27.9] 8.5	122.5 [35.9] 85.5 [25.1] 8.4	123.6 [36.2] 123.6 [36.2] 8.6	117.7 [34.5] 107.5 [31.5] 8.4	114.5 [33.6] 97.2 [28.5] 8.3
	95 [35]	Total BTUH [kW] Sens BTUH [kW] Power	139.0 [40.7] 95.1 [27.9] 9.4	132.3 [38.8] 77.4 [22.7] 9.1	128.8 [37.7] 68.8 [20.2] 9.0	129.3 [37.9] 113.2 [33.2] 9.2	123.0 [36.0] 93.8 [27.5] 9.0	119.7 [35.1] 84.3 [24.7] 8.9	120.7 [35.4] 120.7 [35.4] 9.1	114.8 [33.6] 106.1 [31.1] 8.9	111.8 [32.8] 96.0 [28.1] 8.8
	100 [37.8]	Total BTUH [kW] Sens BTUH [kW] Power	135.8 [39.8] 93.1 [27.3] 9.9	129.2 [37.9] 75.7 [22.2] 9.7	125.7 [36.8] 67.3 [19.7] 9.6	126.0 [36.9] 111.1 [32.6] 9.8	119.9 [35.1] 92.2 [27.0] 9.6	116.7 [34.2] 82.9 [24.3] 9.5	117.4 [34.4] 117.4 [34.4] 9.7	111.7 [32.7] 104.4 [30.6] 9.5	108.7 [31.9] 94.5 [27.7] 9.3
	105 [40.6]	Total BTUH [kW] Sens BTUH [kW] Power	132.2 [38.7] 90.7 [26.6] 10.6	125.8 [36.9] 73.8 [21.6] 10.3	122.5 [35.9] 65.7 [19.3] 10.2	122.5 [35.9] 108.8 [31.9] 10.4	116.5 [34.1] 90.2 [26.4] 10.2	113.4 [33.2] 81.1 [23.8] 10.1	113.8 [33.4] 113.8 [33.4] 10.3	108.3 [31.7] 102.5 [30.0] 10.1	105.4 [30.9] 92.8 [27.2] 9.9
	110 [43.3]	Total BTUH [kW] Sens BTUH [kW] Power	128.4 [37.6] 88.0 [25.8] 11.2	122.2 [35.8] 71.6 [21.0] 10.9	118.9 [34.8] 63.6 [18.6] 10.8	118.7 [34.8] 106.2 [31.1] 11.1	112.9 [33.1] 88.1 [25.8] 10.8	109.9 [32.2] 79.3 [23.3] 10.7	110.0 [32.2] 110.0 [32.2] 11.0	104.7 [30.7] 100.3 [29.4] 10.7	101.9 [29.9] 90.8 [26.6] 10.6
	115 [46.1]	Total BTUH [kW] Sens BTUH [kW] Power	124.3 [36.4] 85.0 [24.9] 11.9	118.3 [34.7] 69.2 [20.3] 11.6	115.1 [33.7] 61.5 [18.0] 11.4	114.6 [33.6] 103.1 [30.2] 11.7	109.0 [31.9] 85.6 [25.1] 11.5	106.1 [31.1] 77.0 [22.6] 11.3	105.9 [31.0] 105.9 [31.0] 11.6	100.8 [29.5] 97.9 [28.7] 11.3	98.1 [28.8] 88.7 [26.0] 11.2

DR —Depression ratio  
dbE —Entering air dry bulb  
wbE —Entering air wet bulb

Total —Total capacity x 1000 BTUH  
Sens —Sensible capacity x 1000 BTUH  
Power —KW input

NOTES: ① When the entering air dry bulb is other than 80°F [27°C], adjust the sensible capacity from the table by adding [1.10 x CFM x (1 - DR) x (dbE - 80)].

[ ] Designates Metric Conversions





## GROSS SYSTEMS PERFORMANCE DATA—B151

ENTERING INDOOR AIR @ 80°F [26.7°C] ①											
wbE		71°F [21.7°C]			67°F [19.4°C]			63°F [17.2°C]			
CFM [L/s]		5800 [2737]	4225 [1994]	3800 [1793]	5800 [2737]	4225 [1994]	3800 [1793]	5800 [2737]	4225 [1994]	3800 [1793]	
DR ①		0	.03	.06	0	.03	.06	0	.03	.06	
OUTDOOR DRY BULB TEMPERATURE °F [°C]	75 [23.9]	Total BTUH [kW]	196.8 [57.7]	184.4 [54.0]	181.0 [53.0]	186.8 [54.7]	175.0 [51.3]	171.8 [50.3]	178.6 [52.3]	167.3 [49.0]	164.2 [48.1]
		Sens BTUH [kW]	135.5 [39.7]	103.0 [30.2]	94.9 [27.8]	156.7 [45.9]	121.7 [35.7]	112.9 [33.1]	177.9 [52.1]	140.2 [41.1]	130.7 [38.3]
		Power	10.2	9.9	9.8	10.0	9.7	9.6	9.7	9.4	9.3
	80 [26.7]	Total BTUH [kW]	192.1 [56.3]	179.9 [52.7]	176.6 [51.8]	182.1 [53.4]	170.6 [50.0]	167.4 [49.1]	173.9 [51.0]	162.9 [47.7]	159.9 [46.9]
		Sens BTUH [kW]	132.7 [38.9]	100.8 [29.6]	92.9 [27.2]	153.9 [45.1]	119.6 [35.1]	110.9 [32.5]	173.9 [51.0]	138.2 [40.5]	128.9 [37.8]
		Power	10.7	10.3	10.3	10.5	10.1	10.0	10.2	9.9	9.8
	85 [29.4]	Total BTUH [kW]	187.2 [54.9]	175.3 [51.4]	172.1 [50.4]	177.2 [51.9]	166.0 [48.6]	162.9 [47.7]	169.0 [49.5]	158.3 [46.4]	155.4 [45.5]
		Sens BTUH [kW]	129.7 [38.0]	98.6 [28.9]	90.9 [26.7]	151.1 [44.3]	117.5 [34.4]	109.0 [32.0]	169.0 [49.5]	136.0 [39.9]	126.9 [37.2]
		Power	11.2	10.9	10.8	11.0	10.6	10.5	10.7	10.4	10.3
	90 [32.2]	Total BTUH [kW]	182.1 [53.4]	170.5 [50.0]	167.4 [49.1]	172.1 [50.4]	161.2 [47.2]	158.2 [46.4]	163.9 [48.0]	153.5 [45.0]	150.7 [44.2]
Sens BTUH [kW]		126.8 [37.2]	96.4 [28.3]	88.9 [26.1]	148.0 [43.4]	115.2 [33.8]	106.9 [31.3]	163.9 [48.0]	133.7 [39.2]	124.8 [36.6]	
Power		11.8	11.4	11.3	11.5	11.2	11.1	11.3	10.9	10.8	
95 [35]	Total BTUH [kW]	176.8 [51.8]	165.6 [48.5]	162.5 [47.6]	166.8 [48.9]	156.2 [45.8]	153.3 [44.9]	158.6 [46.5]	148.5 [43.5]	145.8 [42.7]	
	Sens BTUH [kW]	123.6 [36.2]	94.1 [27.6]	86.7 [25.4]	144.9 [42.5]	112.8 [33.1]	104.7 [30.7]	158.6 [46.5]	131.3 [38.5]	122.6 [35.9]	
	Power	12.3	11.9	11.8	12.1	11.7	11.6	11.9	11.5	11.4	
100 [37.8]	Total BTUH [kW]	171.3 [50.2]	160.4 [47.0]	157.5 [46.2]	161.3 [47.3]	151.0 [44.3]	148.3 [43.5]	153.1 [44.9]	143.3 [42.0]	140.7 [41.2]	
	Sens BTUH [kW]	120.3 [35.3]	91.6 [26.9]	84.5 [24.8]	141.6 [41.5]	110.3 [32.3]	102.5 [30.0]	153.1 [44.9]	128.8 [37.8]	120.3 [35.3]	
	Power	13.0	12.5	12.4	12.7	12.3	12.2	12.5	12.1	12.0	
105 [40.6]	Total BTUH [kW]	165.6 [48.5]	155.1 [45.5]	152.2 [44.6]	155.6 [45.6]	145.7 [42.7]	143.0 [41.9]	147.4 [43.2]	138.0 [40.4]	135.5 [39.7]	
	Sens BTUH [kW]	116.9 [34.3]	89.1 [26.1]	82.2 [24.1]	138.2 [40.5]	107.8 [31.6]	100.2 [29.4]	147.4 [43.2]	126.3 [37.0]	118.0 [34.6]	
	Power	13.6	13.2	13.0	13.4	12.9	12.8	13.1	12.7	12.6	
110 [43.3]	Total BTUH [kW]	159.7 [46.8]	149.6 [43.8]	146.8 [43.0]	149.7 [43.9]	140.2 [41.1]	137.6 [40.3]	141.5 [41.5]	132.5 [38.8]	130.1 [38.1]	
	Sens BTUH [kW]	113.4 [33.2]	86.5 [25.4]	79.8 [23.4]	134.7 [39.5]	105.2 [30.8]	97.8 [28.7]	141.5 [41.5]	123.7 [36.3]	115.6 [33.9]	
	Power	14.3	13.8	13.7	14.0	13.6	13.5	13.8	13.4	13.3	
115 [46.1]	Total BTUH [kW]	153.6 [45.0]	143.9 [42.2]	141.2 [41.4]	143.6 [42.1]	134.5 [39.4]	132.0 [38.7]	135.4 [39.7]	126.8 [37.2]	124.5 [36.5]	
	Sens BTUH [kW]	109.8 [32.2]	83.8 [24.6]	77.3 [22.7]	131.0 [38.4]	102.5 [30.0]	95.3 [27.9]	135.4 [39.7]	121.0 [35.5]	113.1 [33.2]	
	Power	15.0	14.5	14.4	14.7	14.3	14.2	14.5	14.1	13.9	

DR —Depression ratio  
dbE —Entering air dry bulb  
wbE —Entering air wet bulb

Total —Total capacity x 1000 BTUH  
Sens —Sensible capacity x 1000 BTUH  
Power —KW input

NOTES: ① When the entering air dry bulb is other than 80°F [27°C], adjust the sensible capacity from the table by adding  $[1.10 \times \text{CFM} \times (1 - \text{DR}) \times (\text{dbE} - 80)]$ .

[ ] Designates Metric Conversions



# AIRFLOW PERFORMANCE—6 TON [21.1 kW] B073

Air Flow CFM [L/s]		External Static Pressure—Inches of Water [kPa]																												
		0.1 [0.02]		0.2 [0.05]		0.3 [0.07]		0.4 [0.10]		0.5 [0.12]		0.6 [0.15]		0.7 [0.17]		0.8 [0.20]		0.9 [0.22]		1.0 [0.25]		1.1 [0.27]		1.2 [0.30]		1.3 [0.32]		1.4 [0.35]		1.5 [0.37]
RPM	W	RPM	W	RPM	W	RPM	W	RPM	W	RPM	W	RPM	W	RPM	W	RPM	W	RPM	W	RPM	W	RPM	W	RPM	W	RPM	W	RPM	W	
1800 [849]	—	—	—	—	—	—	—	—	—	—	—	—	—	—	—	—	—	—	—	—	—	—	—	—	—	—	—	—	—	—
1900 [897]	—	—	—	—	—	—	—	—	—	—	—	—	—	—	—	—	—	—	—	—	—	—	—	—	—	—	—	—	—	—
2000 [944]	—	—	—	—	—	—	—	—	—	—	—	—	—	—	—	—	—	—	—	—	—	—	—	—	—	—	—	—	—	—
2100 [991]	—	—	—	—	—	—	—	—	—	—	—	—	—	—	—	—	—	—	—	—	—	—	—	—	—	—	—	—	—	—
2200 [1038]	—	—	—	—	—	—	—	—	—	—	—	—	—	—	—	—	—	—	—	—	—	—	—	—	—	—	—	—	—	—
2300 [1085]	—	—	—	—	—	—	—	—	—	—	—	—	—	—	—	—	—	—	—	—	—	—	—	—	—	—	—	—	—	—
2400 [1133]	—	—	—	—	—	—	—	—	—	—	—	—	—	—	—	—	—	—	—	—	—	—	—	—	—	—	—	—	—	—
2500 [1180]	805	751	852	826	897	900	940	973	981	1046	1021	1118	1044	1191	1081	1265	1116	1408	1181	1478	1211	1548	1239	1616	1265	1684	—	—	—	—
2600 [1227]	831	813	877	890	922	967	964	1043	1005	1118	1044	1191	1081	1265	1116	1408	1181	1478	1211	1548	1239	1616	1265	1684	—	—	—	—	—	—
2700 [1274]	858	878	904	958	947	1037	989	1115	1029	1192	1067	1288	1103	1344	1137	1418	1170	1492	1201	1565	1230	1637	1257	1708	1282	1778	—	—	—	—
2800 [1321]	886	947	931	1029	973	1110	1014	1190	1053	1270	1091	1349	1126	1426	1160	1503	1191	1579	1221	1654	1250	1728	1276	1802	—	—	—	—	—	—

NOTE: L-Drive left of bold line, M-Drive right of bold line.

Drive Package	L					M						
Motor H.P. [W]	1.5 [1118.6]					1.5 [1118.6]						
Blower/Sheave	AK66					AK66						
Motor/Sheave	1VP-44					1VP-50						
Turns Open	0	1	2	3	4	5	0	1	2	3	4	5
RPM	1119	1072	<b>1019</b>	967	915	859	1267	1215	1163	1113	<b>1064</b>	1015

- NOTES: 1. Factory sheave settings are shown in bold type.  
 2. Do not set motor sheave below minimum turns open shown.  
 Re-adjustment of sheave required to achieve rated airflow at AHRI minimum E.S.P.  
 4. Drive data shown is for horizontal airflow with dry coil. Add component resistance to duct resistance to determine total E.S.P.

# AIRFLOW CORRECTION FACTORS 6 TON [21.1 kW]

ACTUAL—CFM [L/s]	1800 [849]	2000 [944]	2200 [1038]	2400 [1133]	2600 [1227]	2800 [1277]
TOTAL MBH	0.97	0.96	0.99	1.00	1.01	1.02
SENSIBLE MBH	0.91	0.94	0.97	1.00	1.02	1.05
POWER kW	0.99	0.99	0.99	1.00	1.00	1.01

- NOTES: 1. Multiply correction factor times gross performance data.  
 2. Resulting sensible capacity cannot exceed total capacity.

## [ J ] Designates Metric Conversions

# COMPONENT AIR RESISTANCE, IWC 7.5 TONS [26.4 kW]

Component	Standard Indoor Airflow—CFM [L/s]										
	2400 [1133]	2600 [1227]	2800 [1321]	3000 [1416]	3200 [1510]	3400 [1604]	3600 [1699]	Resistance—Inches Water [kPa]			
Wet Coil	0.047 [0.12]	0.051 [0.013]	0.055 [0.014]	0.060 [0.015]	0.065 [0.016]	0.071 [0.018]	0.076 [0.019]				
Concentric Diffuser RXRN-FA65 or FA75 & Transition RXMC-CD04	DNA	.017 [0.042]	.020 [0.050]	.025 [0.062]	.031 [0.077]	.037 [0.092]	DNA				
Concentric Diffuser RXRN-AA61 or AA71 & Transition RXMC-CE05	DNA	DNA	DNA	DNA	DNA	DNA	DNA				
Economizer	0.05 [0.012]	0.06 [0.015]	0.07 [0.017]	0.08 [0.020]	0.09 [0.022]	0.10 [0.025]	0.11 [0.027]				
100% R.A. Damper Open	0.03 [0.007]	0.04 [0.009]	0.04 [0.010]	0.05 [0.011]	0.05 [0.012]	0.06 [0.014]	0.06 [0.015]				
Horizontal Economizer	0.08 [0.020]	0.08 [0.020]	0.08 [0.020]	0.10 [0.020]	0.11 [0.027]	0.12 [0.030]	0.13 [0.032]				
100% O.A. Damper Open	0.08 [0.020]	0.08 [0.020]	0.08 [0.020]	0.10 [0.020]	0.11 [0.027]	0.12 [0.030]	0.13 [0.032]				

NOTE: Add component resistance to duct resistance to determine total external static pressure.  
 DNA = Data not Available.



# AIRFLOW PERFORMANCE—7.5 TON [26.4 kW] RLNL-B090/C090 MODELS

Air Flow CFM [L/s]	Capacity 7.5 Ton [26.4 kW]																			
	External Static Pressure—Inches of Water [kPa]																			
	0.1 [1.02]	0.2 [1.05]	0.3 [1.07]	0.4 [1.10]	0.5 [1.12]	0.6 [1.15]	0.7 [1.17]	0.8 [1.20]	0.9 [1.22]	1.0 [1.25]	1.1 [1.27]	1.2 [1.30]	1.3 [1.32]	1.4 [1.35]	1.5 [1.37]	1.6 [1.40]	1.7 [1.42]	1.8 [1.45]	1.9 [1.47]	2.0 [1.50]
2400 [1133]	—	—	—	—	—	—	—	—	—	—	—	—	—	—	—	—	—	—	—	—
2500 [1180]	—	—	—	—	—	—	—	—	—	—	—	—	—	—	—	—	—	—	—	—
2600 [1227]	—	—	—	—	—	—	—	—	—	—	—	—	—	—	—	—	—	—	—	—
2700 [1274]	—	—	—	—	—	—	—	—	—	—	—	—	—	—	—	—	—	—	—	—
2800 [1321]	—	—	—	—	—	—	—	—	—	—	—	—	—	—	—	—	—	—	—	—
2900 [1369]	—	—	—	—	—	—	—	—	—	—	—	—	—	—	—	—	—	—	—	—
3000 [1416]	546	741	854	869	617	931	650	1024	685	1144	734	1189	763	1251	792	1313	822	1375	851	1437
3100 [1463]	560	804	598	940	632	1010	664	1107	713	1187	743	1248	772	1311	801	1373	830	1435	860	1497
3200 [1510]	576	876	612	1011	646	1089	678	1189	722	1247	751	1309	781	1371	810	1433	839	1495	868	1557
3300 [1557]	592	954	628	1096	660	1168	692	1274	731	1307	760	1369	789	1431	818	1493	848	1555	877	1617
3400 [1605]	607	1030	643	1180	673	1247	710	1306	739	1368	769	1430	798	1491	827	1553	856	1615	886	1677
3500 [1652]	622	1112	658	1271	689	1344	719	1366	748	1428	777	1490	807	1552	836	1613	865	1675	894	1737
3600 [1699]	638	1202	672	1361	704	1440	728	1426	757	1488	786	1550	815	1612	844	1674	874	1735	903	1797

NOTE: L-Drive left of bold line, M-Drive right of bold line.

Drive Package	L	M	N
Motor H.P. [W]	2.0 [1491.4]	2.0 [1491.4]	3.0 [2237.1]
Blower Sheave	BK110	BK90	BK65
Motor Sheave	1VP-44	1VP-44	1VP-44
Turns Open	1 2 3 4 5 6	1 2 3 4 5 6	1 2 3 4 5 6
RPM	682 650 620 587 555 523	869 838 806 774 742 710	1056 1005 954 904

- NOTES: 1. Factory sheave settings are shown in bold print.  
 2. Re-adjustment of sheave required to achieve rated airflow at AHRI minimum E.S.P.  
 3. Do not operate above blower RPM shown as motor overloading will occur.  
 4. Do not set motor sheave below one turn open.

# AIRFLOW CORRECTION FACTORS 7.5 TON [26.4 kW]

ACTUAL—CFM [L/s]	2600 [1227]	2800 [1321]	3000 [1416]	3200 [1510]	3400 [1604]	3600 [1699]	3800 [1793]
TOTAL MBH	0.97	0.98	0.99	1.00	1.01	1.02	1.03
SENSIBLE MBH	0.91	0.94	0.97	1.00	1.02	1.05	1.08
POWER kW	0.99	0.99	0.99	1.00	1.00	1.01	1.02

- NOTES: 1. Multiply correction factor times gross performance data.  
 2. Resulting sensible capacity cannot exceed total capacity.

# [ ] Designates Metric Conversions

# COMPONENT AIR RESISTANCE, IWC 7.5 TONS [26.4 kW]

Component	Standard Indoor Airflow—CFM [L/s]										Resistance—Inches Water [kPa]									
	2400 [1133]	2600 [1227]	2800 [1321]	3000 [1416]	3200 [1510]	3400 [1604]	3600 [1699]	2400 [1133]	2600 [1227]	2800 [1321]	3000 [1416]	3200 [1510]	3400 [1604]	3600 [1699]						
Wet Coil	0.047 [0.12]	0.051 [0.013]	0.055 [0.014]	0.060 [0.015]	0.065 [0.016]	0.071 [0.018]	0.076 [0.019]	0.047 [0.12]	0.051 [0.013]	0.055 [0.014]	0.060 [0.015]	0.065 [0.016]	0.071 [0.018]	0.076 [0.019]						
Concentric Diffuser RXRN-FA65 or FA75 & Transition RXMC-CD04	DNA	.017 [0.042]	.020 [0.050]	.025 [0.062]	.031 [0.077]	.037 [0.092]	DNA	.017 [0.042]	.020 [0.050]	.025 [0.062]	.031 [0.077]	.037 [0.092]	DNA							
Concentric Diffuser RXRN-AA61 or AA71 & Transition RXMC-CE05	DNA	DNA	DNA	DNA	DNA	DNA	DNA	DNA	DNA	DNA	DNA	DNA	.017 [0.042]							
Economizer	0.05 [0.012]	0.06 [0.015]	0.07 [0.017]	0.08 [0.020]	0.09 [0.022]	0.10 [0.025]	0.05 [0.012]	0.06 [0.015]	0.07 [0.017]	0.08 [0.020]	0.09 [0.022]	0.10 [0.025]	0.11 [0.027]							
100% R.A. Damper Open	0.03 [0.007]	0.04 [0.009]	0.04 [0.010]	0.05 [0.011]	0.05 [0.012]	0.06 [0.014]	0.03 [0.007]	0.04 [0.009]	0.04 [0.010]	0.05 [0.011]	0.05 [0.012]	0.06 [0.014]	0.06 [0.015]							
Horizontal Economizer	0.08 [0.020]	0.08 [0.020]	0.08 [0.020]	0.10 [0.020]	0.11 [0.021]	0.12 [0.030]	0.08 [0.020]	0.08 [0.020]	0.08 [0.020]	0.10 [0.020]	0.11 [0.021]	0.12 [0.030]	0.13 [0.032]							
100% O.A. Damper Open	0.08 [0.020]	0.08 [0.020]	0.08 [0.020]	0.10 [0.020]	0.11 [0.021]	0.12 [0.030]	0.08 [0.020]	0.08 [0.020]	0.08 [0.020]	0.10 [0.020]	0.11 [0.021]	0.12 [0.030]	0.13 [0.032]							

NOTE: Add component resistance to duct resistance to determine total external static pressure.  
 DNA = Data not Available.



# AIRFLOW PERFORMANCE—8.5 TON [29.9 kW]

Air Flow CFM [L/s]	Capacity 8.5 Ton [29.9 kW]																																								
	External Static Pressure—Inches of Water [kPa]																																								
	0.1 [1.02]	0.2 [0.05]	0.3 [0.07]	0.4 [1.10]	0.5 [1.12]	0.6 [1.15]	0.7 [1.17]	0.8 [1.20]	0.9 [1.22]	1.0 [1.25]	1.1 [1.27]	1.2 [1.30]	1.3 [1.32]	1.4 [1.35]	1.5 [1.37]	1.6 [1.40]	1.7 [1.42]	1.8 [1.45]	1.9 [1.47]	2.0 [1.50]																					
2700 [1274]	—	—	—	—	—	708	1009	737	1070	766	1132	796	1194	825	1256	854	1318	883	1380	921	1645	950	1730	980	1816	1009	1901	1038	1966	1068	2072	1097	2157	1127	2243						
2800 [1321]	—	—	—	—	—	715	1069	748	1131	775	1192	804	1254	834	1316	863	1378	892	1440	928	1709	958	1794	987	1880	1016	1965	1046	2050	1075	2136	1104	2221	1134	2307						
2900 [1369]	—	—	—	—	—	725	1129	755	1191	784	1253	813	1315	842	1376	872	1438	906	1688	936	1773	965	1858	994	1944	1024	2029	1053	2115	1082	2200	1112	2285	1141	2371						
3000 [1416]	—	—	—	—	—	705	1127	734	1189	763	1251	792	1313	822	1375	851	1437	880	1498	913	1752	943	1837	972	1923	1002	2008	1031	2093	1060	2179	1090	2264	1119	2350	1148	2435				
3100 [1463]	—	—	—	—	—	713	1187	743	1249	772	1311	801	1373	830	1435	860	1497	889	1559	921	1816	950	1961	979	987	1009	2072	1038	2157	1068	2243	1097	2328	1126	2414	—	—				
3200 [1510]	—	—	—	—	—	693	1185	722	1247	761	1309	781	1371	810	1433	839	1495	868	1557	898	1619	928	1880	937	1965	987	2051	1018	2136	1045	2222	1075	2307	1104	2392	1134	2478	—	—		
3300 [1557]	—	—	—	—	—	701	1246	731	1307	760	1369	789	1431	818	1493	848	1555	877	1617	906	1856	935	1944	968	2029	994	2115	1023	2200	1053	2286	1082	2371	1111	2456	1141	2542	—	—		
3400 [1605]	—	—	—	—	—	681	1244	710	1306	739	1368	769	1430	798	1491	827	1553	856	1615	886	1677	913	1923	943	2008	972	2094	1001	2179	1031	2264	1060	2350	1089	2435	1119	2521	1148	2606	—	—
3500 [1652]	—	—	—	—	—	673	1270	690	1304	719	1366	748	1428	777	1490	807	1552	836	1613	865	1675	894	1737	920	1987	950	2072	979	2158	1009	2243	1038	2328	1067	2414	1097	2499	1126	2585	—	—
3600 [1699]	—	—	—	—	—	686	1352	698	1364	728	1426	757	1488	786	1550	815	1612	844	1674	874	1735	903	1797	928	2051	957	2136	986	2222	1016	2307	1045	2393	1071	2478	1104	2563	1133	2649	—	—
3700 [1746]	672	1361	700	1435	727	1510	755	1584	782	1659	810	1733	837	1808	865	1882	933	1956	953	1956	973	2070	993	2183	1002	2297	1030	2410	1054	2524	1075	2637	1111	2751	1140	2864	—	—			
3800 [1793]	686	1443	713	1518	741	1592	768	1667	796	1741	823	1816	851	1890	878	1965	940	2003	968	2075	981	2189	1001	2302	1016	2416	1043	2529	1062	2643	1082	2756	1119	2870	1147	2983	—	—			
3900 [1841]	699	1526	727	1601	754	1675	782	1750	809	1824	837	1899	864	1973	927	2015	948	2080	968	2194	988	2307	1008	2421	1029	2534	1057	2648	1069	2761	1090	2875	1127	2988	—	—	—	—			
4000 [1888]	713	1609	740	1683	768	1758	795	1832	823	1907	850	1981	878	2056	935	2085	955	2199	975	2312	996	2426	1016	2539	1043	2653	1070	2767	1077	2880	1097	2994	1135	3107	—	—	—	—			
4100 [1935]	726	1692	754	1766	781	1841	809	1915	836	1990	864	2064	922	2091	942	2204	963	2318	983	2431	1003	2545	1024	2658	1056	2772	1084	2885	1084	2999	1105	3112	1144	3226	—	—	—	—			

NOTE: L-Drive left of bold line, M-Drive right of bold line.

Drive Package	L						M					
Motor H.P. [W]	2.0 [1491.4]						3.0 [2237.1]					
Blower Sheave	BK90						BK65					
Motor Sheave	1VP-44						1VP-44					
Turns Open	1	2	3	4	5	6	1	2	3	4	5	6
RPM	860	824	791	757	723	690	1148	1098	1049	999	949	899

- NOTES: 1. Factory sheave settings are shown in bold print.  
 2. Re-adjustment of sheave required to achieve rated airflow at AHRl minimum E.S.P.  
 3. Do not operate above blower RPM shown as motor overloading will occur.  
 4. Do not set motor sheave below one turn open.

# COMPONENT AIR RESISTANCE, IWC 8.5 TON [29.9 kW]

Component	Standard Indoor Airflow—CFM [L/s]											
	2600 [1227]	2800 [1321]	3000 [1416]	3200 [1510]	3400 [1604]	3600 [1699]	3800 [1793]	4000 [1888]	4200 [1982]			
	Resistance—Inches Water [kPa]											
Wet Coil	0.051 [0.013]	0.055 [0.014]	0.060 [0.015]	0.065 [0.016]	0.071 [0.018]	0.076 [0.019]	0.082 [0.020]	0.087 [0.022]	0.093 [0.023]			
Concentric Diffuser RXRM-FA65 or FA75 & Transition RXMC-CD04	0.17 [0.042]	0.20 [0.050]	0.25 [0.062]	0.31 [0.077]	0.37 [0.092]	DNA	DNA	DNA	DNA			
Concentric Diffuser RXRM-AA61 or AA71 & Transition RXMC-CE05	DNA	DNA	DNA	DNA	DNA	0.17 [0.042]	0.18 [0.045]	0.21 [0.052]	0.24 [0.060]			
Economizer	0.06 [0.015]	0.07 [0.017]	0.08 [0.020]	0.09 [0.022]	0.10 [0.025]	0.11 [0.027]	0.12 [0.030]	0.13 [0.032]	0.14 [0.035]			
100% R.A. Damper Open	0.04 [0.009]	0.04 [0.010]	0.05 [0.011]	0.05 [0.012]	0.06 [0.014]	0.06 [0.015]	0.07 [0.017]	0.08 [0.020]	0.09 [0.021]			
Horizontal Economizer	0.08 [0.020]	0.08 [0.020]	0.10 [0.024]	0.11 [0.027]	0.12 [0.030]	0.13 [0.032]	0.15 [0.036]	0.16 [0.040]	0.18 [0.044]			
100% O.A. Damper Open	0.08 [0.020]	0.08 [0.020]	0.10 [0.024]	0.11 [0.027]	0.12 [0.030]	0.13 [0.032]	0.15 [0.036]	0.16 [0.040]	0.18 [0.044]			

NOTE: Add component resistance to duct resistance to determine total external static pressure.  
 DNA = Data not Available.

# AIRFLOW CORRECTION FACTORS 8.5 TON [29.9 kW]

ACTUAL—CFM [L/s]	2600 [1227]	2800 [1321]	3000 [1416]	3200 [1510]	3400 [1605]	3600 [1699]	3800 [1793]	4000 [1888]	4200 [1982]
TOTAL MBH	0.96	0.97	0.98	0.99	1.00	1.01	1.02	1.03	1.04
SENSIBLE MBH	0.88	0.91	0.94	0.97	1.00	1.03	1.05	1.07	1.09
POWER kW	0.99	0.99	0.99	1.00	1.00	1.01	1.01	1.02	1.03

- NOTES: 1. Multiply correction factor times gross performance data.  
 2. Resulting sensible capacity cannot exceed total capacity.

[ ] Designates Metric Conversions

# AIRFLOW PERFORMANCE—10 TON [35.2 kW]

Capacity 10 Ton [35.2 kW]		External Static Pressure—Inches of Water [kPa]																						
		0.1 [0.02]	0.2 [0.05]	0.3 [0.07]	0.4 [0.10]	0.5 [0.12]	0.6 [0.15]	0.7 [0.17]	0.8 [0.20]	0.9 [0.22]	1.0 [0.25]	1.1 [0.27]	1.2 [0.30]	1.3 [0.32]	1.4 [0.35]	1.5 [0.37]	1.6 [0.40]	1.7 [0.42]	1.8 [0.45]	1.9 [0.47]	2.0 [0.50]	2.1 [0.52]	2.2 [0.55]	2.3 [0.57]
3200 [1510]	—	—	—	—	—	—	—	—	—	—	—	—	—	—	—	—	—	—	—	—	—	—	—	—
3300 [1557]	—	—	—	—	—	—	—	—	—	—	—	—	—	—	—	—	—	—	—	—	—	—	—	—
3400 [1605]	—	—	—	—	—	—	—	—	—	—	—	—	—	—	—	—	—	—	—	—	—	—	—	—
3500 [1652]	—	—	—	—	—	—	—	—	—	—	—	—	—	—	—	—	—	—	—	—	—	—	—	—
3600 [1699]	—	—	—	—	—	—	—	—	—	—	—	—	—	—	—	—	—	—	—	—	—	—	—	—
3700 [1746]	672	1361	700	1435	727	1510	755	1584	782	1659	810	1733	837	1808	865	1882	933	1896	953	1956	973	2070	993	2183
3800 [1793]	686	1443	713	1518	741	1592	768	1667	796	1741	823	1818	861	1890	878	1965	940	2003	960	2075	981	2169	1001	2302
3900 [1841]	699	1526	727	1601	754	1675	782	1750	809	1824	837	1899	864	1973	927	2015	948	2080	968	2194	998	2307	1008	2421
4000 [1889]	713	1609	740	1683	768	1758	795	1832	823	1907	850	1961	878	2056	935	2085	955	2199	975	2312	996	2426	1016	2539
4100 [1935]	726	1692	754	1766	781	1841	809	1915	836	1990	864	2064	922	2091	942	2204	963	2318	983	2431	1003	2545	1024	2658
4200 [1982]	740	1774	767	1849	795	1923	822	1998	850	2072	877	2147	930	2209	950	2323	970	2438	990	2550	1011	2663	1031	2777
4300 [2029]	753	1857	781	1932	808	2006	836	2081	853	2155	917	2215	937	2328	957	2442	978	2555	998	2668	1018	2782	1039	2896
4400 [2077]	767	1940	794	2014	822	2089	849	2163	877	2238	924	2333	945	2447	965	2560	985	2674	1006	2787	1026	2901	1046	3014
4500 [2124]	780	2023	808	2097	835	2172	863	2248	912	2338	932	2452	952	2565	973	2679	993	2793	1013	2906	1033	3020	1054	3133
4600 [2171]	794	2105	821	2180	840	2254	876	2329	919	2457	940	2571	960	2684	980	2798	1000	2911	1021	3025	1041	3138	1061	3252
4700 [2218]	807	2188	835	2263	862	2337	906	2462	927	2576	947	2689	967	2803	988	2916	1008	3030	1028	3143	1048	3257	1069	3371
4800 [2265]	821	2271	848	2345	876	2420	914	2581	934	2695	955	2808	975	2922	995	3035	1015	3149	1036	3262	1056	3376	1076	3489

NOTE: L-Drive left of bold line, M-Drive right of bold line.

Drive Package	L	M
Motor H.P. [W]	2.0 [1491.4]	3.0 [2237.1]
Blower Sheave	BK90	BK65
Motor Sheave	1VP-44	1VP-44
Turns Open	1 2 3 4 5 6	3 4 5 6
RPM	845 810 775 739 704 669	1041 992 943 894

- NOTES: 1. Factory sheave settings are shown in bold print.  
 2. Re-adjustment of sheave required to achieve rated airflow at AHRI minimum E.S.P.  
 3. Do not operate above blower RPM shown as motor overloading will occur.  
 4. Do not set motor sheave below one turn open.

# AIRFLOW CORRECTION FACTORS 10 TON [35.2 kW]

ACTUAL—CFM [L/s]	3200 [1510]	3400 [1605]	3600 [1699]	3800 [1793]	4000 [1888]	4200 [1982]	4400 [2077]	4600 [2171]	4800 [2265]
TOTAL MBH	0.96	0.97	0.98	0.99	1.00	1.01	1.02	1.03	1.04
SENSIBLE MBH	0.91	0.93	0.95	0.97	1.00	1.02	1.05	1.07	1.09
POWER kW	0.98	0.98	0.99	0.99	1.00	1.00	1.01	1.01	1.01

- NOTES: 1. Multiply correction factor times gross performance data.  
 2. Resulting sensible capacity cannot exceed total capacity.

## [ ] Designates Metric Conversions

# COMPONENT AIR RESISTANCE, IWC 10 TON [35.2 kW]

Component	Standard Indoor Airflow—CFM [L/s]												
	3200 [1510]	3400 [1604]	3600 [1699]	3800 [1793]	4000 [1888]	4200 [1982]	4400 [2076]	4600 [2171]	4800 [2265]	Resistance—Inches Water [kPa]			
Wet Coil	0.065 [0.016]	0.071 [0.018]	0.076 [0.019]	0.082 [0.020]	0.087 [0.022]	0.093 [0.023]	0.099 [0.025]	0.105 [0.026]	0.110 [0.027]				
Concentric Diffuser RXRN-FA65 or FA75 & Transition RXMC-CDD4	0.31 [0.077]	0.37 [0.092]	DNA	DNA	DNA	DNA	DNA	DNA	DNA				
Concentric Diffuser RXRN-AA61 or AA71 & Transition RXMC-CE05	DNA	DNA	0.17 [0.042]	0.18 [0.045]	0.21 [0.052]	0.24 [0.060]	0.27 [0.067]	DNA	DNA				
Concentric Diffuser RXRN-AA66 or AA76 & Transition RXMC-CF06	DNA	DNA	DNA	DNA	DNA	DNA	DNA	0.31 [0.077]	0.32 [0.080]				
Economizer	0.09 [0.022]	0.10 [0.025]	0.11 [0.027]	0.12 [0.030]	0.13 [0.032]	0.14 [0.035]	0.15 [0.037]	0.16 [0.040]	0.17 [0.042]				
100% R.A. Damper Open	0.05 [0.012]	0.06 [0.014]	0.06 [0.015]	0.07 [0.017]	0.08 [0.020]	0.09 [0.022]	0.10 [0.024]	0.10 [0.025]	0.10 [0.025]				
Horizontal Economizer	0.11 [0.027]	0.12 [0.030]	0.13 [0.032]	0.15 [0.036]	0.16 [0.040]	0.18 [0.044]	0.19 [0.047]	0.20 [0.050]	0.21 [0.052]				
100% O.A. Damper Open	0.11 [0.027]	0.12 [0.030]	0.13 [0.032]	0.15 [0.036]	0.16 [0.040]	0.18 [0.044]	0.19 [0.047]	0.20 [0.050]	0.21 [0.052]				

NOTE: Add component resistance to duct resistance to determine total external static pressure.

DNA = Data not Available.



# AIRFLOW PERFORMANCE—12.5 TON [44.0 kW]

Air Flow CFM [L/s]		External Static Pressure—Inches of Water [kPa]																			
		0.1 [1.02]	0.2 [1.05]	0.3 [1.07]	0.4 [1.10]	0.5 [1.12]	0.6 [1.15]	0.7 [1.17]	0.8 [1.20]	0.9 [1.22]	1.0 [1.25]	1.1 [1.27]	1.2 [1.30]	1.3 [1.32]	1.4 [1.35]	1.5 [1.37]	1.6 [1.40]	1.7 [1.42]	1.8 [1.45]	1.9 [1.47]	2.0 [1.50]
3800 [1793]	—	—	—	—	828 [1605]	854 [1661]	879 [1722]	904 [1786]	929 [1853]	954 [1924]	979 [1998]	1004 [2075]	1028 [2156]	1052 [2241]	1076 [2328]	1099 [2420]	1123 [2514]	1146 [2613]	1169 [2714]	1192 [2819]	1215 [2928]
4000 [1888]	—	—	—	830 [1735]	855 [1796]	880 [1859]	905 [1927]	930 [1997]	955 [2072]	979 [2149]	1004 [2230]	1028 [2315]	1052 [2403]	1075 [2494]	1099 [2589]	1122 [2687]	1145 [2789]	1168 [2894]	1190 [3002]	1213 [3114]	1235 [3230]
4200 [1982]	—	—	832 [1877]	858 [1941]	883 [2008]	908 [2079]	932 [2153]	957 [2230]	981 [2312]	1005 [2396]	1029 [2484]	1053 [2575]	1076 [2670]	1099 [2769]	1122 [2870]	1145 [2975]	1168 [3084]	1190 [3196]	1212 [3312]	1234 [3430]	1256 [3553]
4400 [2076]	836 [2029]	862 [2096]	886 [2167]	911 [2241]	936 [2319]	960 [2400]	984 [2485]	1008 [2573]	1031 [2664]	1055 [2759]	1078 [2858]	1101 [2959]	1124 [3065]	1146 [3173]	1169 [3285]	1191 [3401]	1213 [3520]	1235 [3642]	1256 [3768]	1278 [3897]	1300 [4030]
4600 [2171]	867 [2263]	891 [2337]	916 [2415]	940 [2496]	964 [2581]	988 [2669]	1012 [2760]	1035 [2855]	1058 [2954]	1081 [3056]	1104 [3161]	1127 [3270]	1149 [3382]	1171 [3497]	1193 [3616]	1215 [3739]	1236 [3865]	1258 [3994]	1279 [4127]	1300 [4263]	1322 [4400]
4800 [2265]	897 [2518]	922 [2599]	946 [2684]	970 [2772]	993 [2864]	1017 [2959]	1040 [3057]	1063 [3159]	1086 [3265]	1108 [3373]	1131 [3485]	1153 [3601]	1175 [3720]	1196 [3843]	1218 [3969]	1239 [4098]	1261 [4231]	1282 [4367]	1303 [4504]	1324 [4641]	1345 [4778]
5000 [2359]	929 [2795]	953 [2883]	976 [2975]	1000 [3070]	1023 [3168]	1046 [3270]	1069 [3375]	1091 [3484]	1114 [3597]	1136 [3712]	1158 [3831]	1179 [3954]	1201 [4080]	1222 [4209]	1244 [4342]	1264 [4479]	1285 [4618]	1305 [4757]	1325 [4896]	1345 [5035]	1365 [5174]
5200 [2454]	961 [3093]	984 [3188]	1007 [3286]	1030 [3388]	1053 [3494]	1076 [3603]	1098 [3715]	1120 [3831]	1142 [3950]	1164 [4072]	1186 [4199]	1207 [4328]	1228 [4461]	1249 [4597]	1270 [4737]	1290 [4880]	1310 [5022]	1329 [5165]	1348 [5308]	1367 [5451]	1386 [5594]
5400 [2548]	993 [3412]	1016 [3514]	1039 [3619]	1062 [3728]	1084 [3841]	1106 [3956]	1128 [4076]	1150 [4198]	1171 [4324]	1193 [4454]	1214 [4587]	1235 [4723]	1256 [4863]	1276 [5007]	1296 [5153]	1315 [5299]	1334 [5446]	1353 [5594]	1371 [5741]	1389 [5888]	1407 [6035]
5600 [2643]	1026 [3752]	1049 [3861]	1071 [3974]	1093 [4089]	1115 [4209]	1137 [4331]	1159 [4458]	1180 [4587]	1201 [4720]	1222 [4857]	1243 [4997]	1263 [5140]	1284 [5287]	1303 [5435]	1322 [5583]	1341 [5731]	1359 [5880]	1377 [5928]	1395 [6076]	1413 [6224]	1431 [6372]
5800 [2737]	1060 [4114]	1082 [4230]	1104 [4349]	1126 [4472]	1147 [4598]	1169 [4728]	1190 [4861]	1211 [4997]	1232 [5137]	1252 [5281]	1272 [5428]	1292 [5578]	1311 [5728]	1330 [5878]	1349 [6028]	1367 [6178]	1385 [6328]	1403 [6478]	1421 [6628]	1439 [6778]	1457 [6928]

NOTE: L-Drive left of bold line, M-Drive right of bold line.

Drive Package	L	M
Motor H.P. [W]	3.0 [2237.1]	5.0 [3728.5]
Blower Sheave	BK72H	BK85H
Motor Sheave	1VP-44	1VP-65
Turns Open	1 2 3 4 5 6	1 2 3 4 5 6
RPM	1051 1009 966 920 876 824	1216 1177 1136 1094

- NOTES: 1. Factory sheave settings are shown in bold print.  
 2. Do not set motor sheave below minimum or maximum turns open shown.  
 3. Re-adjustment of sheave required to achieve rated airflow at AHRI minimum External Static Pressure.  
 4. Drive data shown is for horizontal airflow with dry coil. Add component resistance (below) to duct resistance to determine total External Static Pressure.

# AIRFLOW CORRECTION FACTORS 12.5 TON [44.0 kW]

ACTUAL—CFM [L/s]	3800 [1793]	4000 [1888]	4200 [1982]	4400 [2077]	4600 [2171]	4800 [2265]	5000 [2360]	5200 [2454]	5400 [2549]	5600 [2643]	5800 [2737]
TOTAL MBH	0.98	0.99	1.00	1.01	1.02	1.02	1.03	1.04	1.05	1.06	1.07
SENSIBLE MBH	0.93	0.96	1.00	1.04	1.07	1.11	1.14	1.18	1.21	1.25	1.28
POWER kW	0.99	1.00	1.00	1.00	1.01	1.01	1.02	1.02	1.03	1.03	1.03

- NOTES: 1. Multiply correction factor times gross performance data.  
 2. Resulting sensible capacity cannot exceed total capacity.

## [ ] Designates Metric Conversions

# COMPONENT AIR RESISTANCE, IWC 12.5 TON [44.0 kW]

Component	Standard Indoor Airflow—CFM [L/s]												Resistance—Inches Water [kPa]											
	3800 [1793]	4000 [1888]	4200 [1982]	4400 [2076]	4600 [2171]	4800 [2265]	5000 [2359]	5200 [2454]	5400 [2548]	5600 [2643]	5800 [2737]	3800 [1793]	4000 [1888]	4200 [1982]	4400 [2076]	4600 [2171]	4800 [2265]	5000 [2359]	5200 [2454]	5400 [2548]	5600 [2643]	5800 [2737]		
Wet Coil	0.08 [0.02]	0.09 [0.02]	0.09 [0.02]	0.10 [0.02]	0.10 [0.02]	0.11 [0.03]	0.11 [0.03]	0.11 [0.03]	0.12 [0.03]	0.12 [0.03]	0.13 [0.03]	0.13 [0.03]	0.14 [0.03]	0.14 [0.03]	0.15 [0.04]	0.15 [0.04]	0.16 [0.04]	0.16 [0.04]	0.17 [0.04]	0.17 [0.04]	0.18 [0.05]	0.18 [0.05]	0.19 [0.05]	
Downflow Economizer RA Damper Open	0.12 [0.03]	0.13 [0.03]	0.14 [0.03]	0.14 [0.04]	0.15 [0.04]	0.16 [0.04]	0.17 [0.04]	0.18 [0.04]	0.19 [0.04]	0.20 [0.04]	0.21 [0.05]	0.22 [0.05]	0.22 [0.05]	0.23 [0.05]	0.24 [0.05]	0.25 [0.05]	0.26 [0.05]	0.27 [0.05]	0.28 [0.05]	0.29 [0.05]	0.30 [0.06]	0.31 [0.06]	0.32 [0.06]	0.33 [0.06]
Horizontal Economizer RA Damper Open	0.07 [0.02]	0.07 [0.02]	0.08 [0.02]	0.08 [0.02]	0.09 [0.02]	0.09 [0.02]	0.10 [0.02]	0.10 [0.02]	0.11 [0.02]	0.11 [0.02]	0.11 [0.02]	0.12 [0.02]	0.12 [0.02]	0.12 [0.02]	0.13 [0.02]	0.13 [0.02]	0.14 [0.02]	0.14 [0.02]	0.15 [0.02]	0.15 [0.02]	0.16 [0.02]	0.16 [0.02]	0.17 [0.02]	0.17 [0.02]
Concentric Grill RXRN-AA61 or RXRN-AA71 & Transition RXMC-CE05	0.19 [0.05]	0.21 [0.05]	0.24 [0.05]	0.24 [0.05]	0.27 [0.07]	0.27 [0.07]	0.30 [0.08]	0.30 [0.08]	0.33 [0.09]	0.33 [0.09]	0.36 [0.10]	0.36 [0.10]	0.39 [0.11]	0.39 [0.11]	0.42 [0.12]	0.42 [0.12]	0.45 [0.13]	0.45 [0.13]	0.48 [0.14]	0.48 [0.14]	0.51 [0.15]	0.51 [0.15]	0.54 [0.16]	0.54 [0.16]
Concentric Grill RXRN-AA66 or RXRN-AA76 & Transition RXMC-CF06	0.23 [0.06]	0.25 [0.06]	0.27 [0.06]	0.29 [0.07]	0.29 [0.07]	0.32 [0.08]	0.32 [0.08]	0.34 [0.08]	0.36 [0.09]	0.36 [0.09]	0.38 [0.10]	0.38 [0.10]	0.40 [0.11]	0.40 [0.11]	0.42 [0.12]	0.42 [0.12]	0.44 [0.12]	0.44 [0.12]	0.46 [0.13]	0.46 [0.13]	0.48 [0.14]	0.48 [0.14]	0.50 [0.15]	0.50 [0.15]

NOTE: Add component resistance to duct resistance to determine total external static pressure.

<b>ELECTRICAL DATA – RLNL SERIES</b>										
		<b>B073CL</b>	<b>B073CM</b>	<b>B073DL</b>	<b>B073DM</b>	<b>B073YL</b>	<b>B073YM</b>	<b>B090CL</b>	<b>B090CM</b>	<b>B090CN</b>
<b>Unit Information</b>	Unit Operating Voltage Range	187-253	187-253	414-506	414-506	518-632	518-632	187-253	187-253	187-253
	Volts	208/230	208/230	460	460	575	575	208/230	208/230	208/230
	Minimum Circuit Ampacity	35/35	35/35	16	16	13	13	43/43	43/43	48/48
	Minimum Overcurrent Protection Device Size	40/40	40/40	20	20	15	15	45/45	45/45	50/50
	Maximum Overcurrent Protection Device Size	50/50	50/50	20	20	15	15	50/50	50/50	60/60
<b>Compressor Motor</b>	No.	1	1	1	1	1	1	2	2	2
	Volts	200/240	200/240	480	480	600	600	200/240	200/240	200/240
	Phase	3	3	3	3	3	3	3	3	3
	RPM	3450	3450	3450	3450	3450	3450	3450	3450	3450
	HP, Compressor 1	6	6	6	6	6	6	3 1/4	3 1/4	3 1/4
	Amps (RLA), Comp. 1	19.6/19.6	19.6/19.6	8.2	8.2	6.6	6.6	13.1/13.1	13.1/13.1	13.1/13.1
	Amps (LRA), Comp. 1	136/136	136/136	66.1	66.1	55.3	55.5	83.1/83.1	83.1/83.1	83.1/83.1
<b>Condenser Motor</b>	No.	2	2	2	2	2	2	2	2	2
	Volts	208/230	208/230	460	460	575	575	208/230	208/230	208/230
	Phase	1	1	1	1	1	1	1	1	1
	HP	1/3	1/3	1/3	1/3	1/3	1/3	1/3	1/3	1/3
	Amps (FLA, each)	2.4/2.4	2.4/2.4	1.4	1.4	1	1	1.2/1.2	1.2/1.2	1.2/1.2
	Amps (LRA, each)	4.7/4.7	4.7/4.7	2.4	2.4	1.5	1.5	4.7/4.7	4.7/4.7	4.7/4.7
<b>Evaporator Fan</b>	No.	1	1	1	1	1	1	1	1	1
	Volts	208/230	208/230	460	460	575	575	208/230	208/230	208/230
	Phase	3	3	3	3	3	3	3	3	3
	HP	1 1/2	1 1/2	1 1/2	1 1/2	1 1/2	1 1/2	2	2	3
	Amps (FLA, each)	5.6/5.6	5.6/5.6	2.8	2.8	1.9	1.9	1.9	1.9	13/13
	Amps (LRA, each)	28.8/28.8	28.8/28.8	14.4	14.4	14	14	56/56	56/56	74.5/74.5

### ELECTRICAL DATA – RLNL SERIES

		B090DL	B090DM	B090DN	B090YL	B090YM	B090YN	B102CL	B102CM	B102DL
<b>Unit Information</b>	Unit Operating Voltage Range	414-506	414-506	414-506	518-632	518-632	518-632	187-253	187-253	414-506
	Volts	460	460	460	575	575	575	208/230	208/230	460
	Minimum Circuit Ampacity	21	21	24	16	16	21	49/49	54/54	23
	Minimum Overcurrent Protection Device Size	25	25	25	20	20	25	50/50	55/55	25
	Maximum Overcurrent Protection Device Size	25	25	30	20	20	25	60/60	60/60	25
<b>Compressor Motor</b>	No.	2	2	2	2	2	2	2	2	2
	Volts	480	480	480	600	600	600	200/230	200/230	460
	Phase	3	3	3	3	3	3	3	3	3
	RPM	3450	3450	3450	3450	3450	3450	3450	3450	3450
	HP, Compressor 1	3 1/4	3 1/4	3 1/4	3 1/4	3 1/4	3 1/4	3 3/4	3 3/4	3 3/4
	Amps (RLA), Comp. 1	6.1	6.1	6.1	4.4	4.4	4.4	16/16	16/16	7.1
	Amps (LRA), Comp. 1	41	41	41	33	33	33	91/91	91/91	46
	HP, Compressor 2	3 1/4	3 1/4	3 1/4	3 1/4	3 1/4	3 1/4	3 3/4	3 3/4	3 3/4
	Amps (FLA, each)	6.1	6.1	6.1	4.4	4.4	4.4	16/16	16/16	7.1
Amps (LRA, each)	41	41	41	33	33	33	91/91	91/91	46	
<b>Condenser Motor</b>	No.	2	2	2	2	2	2	2	2	2
	Volts	460	460	460	575	575	575	208/230	208/230	460
	Phase	1	1	1	1	1	1	1	1	1
	HP	1/3	1/3	1/3	1/3	1/3	1/3	1/3	1/3	1/3
	Amps (FLA, each)	0.7	0.7	0.7	0.5	0.5	0.5	1.2/1.2	1.2/1.2	0.7
	Amps (LRA)	2.4	2.4	2.4	1.5	1.5	1.5	4.7/4.7	4.7/4.7	2.4
<b>Evaporator Fan</b>	No.	1	1	1	1	1	1	1	1	1
	Volts	460	460	460	575	575	575	208/230	208/230	460
	Phase	3	3	3	3	3	3	3	3	3
	HP	2	2	3	2	2	3	2	3	2
	Amps (FLA, each)	4	4	7	4	4	8	8/8	13/13	4
	Amps (LRA, each)	28	28	38.1	19	19	20	56/56	74.5/74.5	28

ELECTRICAL DATA – RLNL SERIES										
		B102DM	B102YL	B102YM	B120CL	B120CM	B120DL	B120DM	B120YL	B120YM
Unit Information	Unit Operating Voltage Range	414-506	518-632	518-632	187-253	187-253	414-506	414-506	518-632	518-632
	Volts	460	575	575	208/230	208/230	460	460	575	575
	Minimum Circuit Ampacity	26	19	24	49/49	54/54	25	28	19	24
	Minimum Overcurrent Protection Device Size	30	20	25	50/50	55/55	25	30	20	25
	Maximum Overcurrent Protection Device Size	30	20	30	60/60	60/60	30	35	20	30
Compressor Motor	No.	2	2	2	2	2	2	2	2	2
	Volts	460	575	575	200/240	200/240	480	480	575	575
	Phase	3	3	3	3	3	3	3	3	3
	RPM	3450	3450	3450	3450	3450	3450	3450	3450	3450
	HP, Compressor 1	3 3/4	3 3/4	3 3/4	4 1/4	4 1/4	4 1/4	4 1/4	4 1/4	4 1/4
	Amps (RLA), Comp. 1	7.1	5.6	5.6	16/16	16/16	9.8	9.8	5.7	5.7
	Amps (LRA), Comp. 1	46	37	37	110/110	110/110	52	52	38.9	38.9
	HP, Compressor 2	3 3/4	3 3/4	3 3/4	4 1/4	4 1/4	4 1/4	4 1/4	4 1/4	4 1/4
	Amps (FLA, each)	7.1	5.6	5.6	16/16	16/16	9.8	9.8	5.7	5.7
Amps (LRA, each)	46	37	37	110/110	110/110	52	52	38.9	38.9	
Condenser Motor	No.	2	2	2	2	2	2	2	2	2
	Volts	460	575	575	208/230	208/230	460	460	575	575
	Phase	1	1	1	1	1	1	1	1	1
	HP	1/3	1/3	1/3	1/3	1/3	1/3	1/3	1/3	1/3
	Amps (FLA, each)	0.7	0.5	0.5	1.2/1.2	1.2/1.2	0.7	0.7	0.5	0.5
	Amps (LRA)	2.4	1.5	1.5	4.7/4.7	4.7/4.7	2.4	2.4	1.5	1.5
Evaporator Fan	No.	1	1	1	1	1	1	1	1	1
	Volts	460	575	575	208/230	208/230	460	460	575	575
	Phase	3	3	3	3	3	3	3	3	3
	HP	3	2	3	2	3	2	3	2	3
	Amps (FLA, each)	7	4	8	8/8	13/13	4	7	4	8
	Amps (LRA, each)	38.1	19	20	56/56	74.5/74.5	28	38.1	19	20

### ELECTRICAL DATA – RLNL SERIES

		B151CL	B151CM	B151DL	B151DM	B151YL	B151YM
<b>Unit Information</b>	Unit Operating Voltage Range	187-253	187-253	414-506	414-506	518-632	518-632
	Volts	208/230	208/230	460	460	575	575
	Minimum Circuit Ampacity	67/67	71/71	33	36	28	28
	Minimum Overcurrent Protection Device Size	70/70	75/75	35	40	30	30
	Maximum Overcurrent Protection Device Size	80/80	90/90	40	45	35	35
<b>Compressor Motor</b>	No.	2	2	2	2	2	2
	Volts	208/230	208/230	460	460	575	575
	Phase	3	3	3	3	3	3
	RPM	3450	3450	3450	3450	3450	3450
	HP, Compressor 1	5 3/4	5 3/4	5 3/4	5 3/4	5 3/4	5 3/4
	Amps (RLA), Comp. 1	22.4/22.4	22.4/22.4	10.6	10.6	7.7	7.7
	Amps (LRA), Comp. 1	149/149	149/149	75	75	54	54
	HP, Compressor 2	5 1/4	5 1/4	5 1/4	5 1/4	5 1/4	5 1/4
	Amps (FLA, each)	19/19	19/19	9.7	9.7	7.4	7.4
	Amps (LRA, each)	123/123	123/123	62	62	50	50
<b>Condenser Motor</b>	No.	2	2	2	2	2	2
	Volts	208/230	208/230	460	460	575	575
	Phase	1	1	1	1	1	1
	HP	1/2	1/2	1/2	1/2	1/2	1/2
	Amps (FLA, each)	1.15/1.15	1.15/1.15	0.75	0.75	0.5	0.5
	Amps (LRA)	5.6/5.6	5.6/5.6	3.1	3.1	2.2	2.2
<b>Evaporator Fan</b>	No.	1	1	1	1	1	1
	Volts	208/230	208/230	460	460	575	575
	Phase	3	3	3	3	3	3
	HP	3	5	3	5	3	5
	Amps (FLA, each)	15/15	18.8/18.8	7	10	8	8
	Amps (LRA, each)	74.5/74.5	82.6/82.6	38.1	41.3	20	33



## 208/240 VOLT, THREE PHASE, 60 HZ, AUXILIARY ELECTRIC HEATER KITS CHARACTERISTICS AND APPLICATION

Single Power Supply For Both Unit and Heater Kit										Separate Power Supply For Both Unit and Heater Kit										
Unit Model No. RLNL-	Heater Kit					Air Conditioner					Heater Kit					Air Conditioner				
	RXJJ-Heater Kit Nominal kW	No. of Sequence Steps	Rated Heater kW @ 208/240 V	Heater KBTU/Hr @ 208/240 V	Heater Amp. @ 208/240 V	Unit Min. Ckt. Ampacity @ 208/240 V	Over Current Protective Device Size Min./Max. @ 208 V	Min. Circuit Ampacity 208/240 V	Max. Fuse Size 208/240 V	Min. Circuit Ampacity 208/240 V	Over Current Protective Device Size Min./Max. @ 208 V	Min. Circuit Ampacity 208/240 V	Max. Fuse Size 208/240 V	Over Current Protective Device Size Min./Max. @ 208 V	Min. Circuit Ampacity 208/240 V	Max. Fuse Size 208/240 V	Over Current Protective Device Size Min./Max. @ 208 V			
B073CL	No Heat	—	—	—	—	35/35	40/50	—	—	35/35	40/50	—	—	35/35	40/50	—	—			
	CC10C	1	7.2/9.6	24.56/32.75	20/23.1	35/36	45/50	25/29	25/30	—	—	25/30	—	—	—	—	—			
	CC15C	1	10.8/14.4	36.84/49.13	30/34.6	45/51	45/50	38/44	40/45	—	—	38/44	—	—	—	—	—			
	CC20C	1	14.4/19.2	49.13/65.5	40/46.2	57/65	60/60	50/58	50/60	—	—	50/58	—	—	—	—	—			
	CC30C	1	21.6/28.8	73.69/98.25	60/69.3	82/94	90/90	100/100	80/90	—	—	75/87	—	—	—	—	—			
B090CL	No Heat	—	—	—	—	43/43	45/50	—	—	43/43	45/50	—	—	43/43	45/50	—	—			
	CC10C	1	7.2/9.6	24.56/32.75	20/23.1	43/43	50/50	25/29	25/30	—	—	25/29	—	—	—	—	—			
	CC15C	1	10.8/14.4	36.84/49.13	30/34.6	48/54	50/50	38/44	40/45	—	—	38/44	—	—	—	—	—			
	CC20C	1	14.4/19.2	49.13/65.5	40/46.2	60/68	60/60	50/58	50/60	—	—	50/58	—	—	—	—	—			
	CC30C	1	21.6/28.8	73.69/98.25	60/69.3	85/97	90/90	100/100	80/90	—	—	75/87	—	—	—	—	—			
B102CL	No Heat	—	—	—	—	111/126	125/125	—	—	111/126	150/150	—	—	111/126	110/125	—	—			
	CC10C	1	7.2/9.6	24.56/32.75	20/23.1	49/49	60/60	25/29	25/30	—	—	25/29	—	—	—	—	—			
	CC15C	1	10.8/14.4	36.84/49.13	30/34.6	49/54	60/60	38/44	40/45	—	—	38/44	—	—	—	—	—			
	CC20C	1	14.4/19.2	49.13/65.5	40/46.2	60/68	60/60	50/58	50/60	—	—	50/58	—	—	—	—	—			
	CC30C	1	21.6/28.8	73.69/98.25	60/69.3	85/97	90/90	100/100	80/90	—	—	75/87	—	—	—	—	—			
B120CL	No Heat	—	—	—	—	111/126	125/125	—	—	111/126	150/150	—	—	111/126	110/125	—	—			
	CC10C	1	7.2/9.6	24.56/32.75	20/23.1	49/49	60/60	25/29	25/30	—	—	25/29	—	—	—	—	—			
	CC15C	1	10.8/14.4	36.84/49.13	30/34.6	49/54	60/60	38/44	40/45	—	—	38/44	—	—	—	—	—			
	CC20C	1	14.4/19.2	49.13/65.5	40/46.2	60/68	60/60	50/58	50/60	—	—	50/58	—	—	—	—	—			
	CC30C	1	21.6/28.8	73.69/98.25	60/69.3	85/97	90/90	100/100	80/90	—	—	75/87	—	—	—	—	—			
B151CL	No Heat	—	—	—	—	136/155	150/150	—	—	136/155	175/175	—	—	136/155	150/150	—	—			
	CC10C	1	7.2/9.6	24.56/32.75	20/23.1	67/67	80/80	25/29	25/30	—	—	25/29	—	—	—	—	—			
	CC15C	1	10.8/14.4	36.84/49.13	30/34.6	67/67	80/80	38/44	40/45	—	—	38/44	—	—	—	—	—			
	CC20C	1	14.4/19.2	49.13/65.5	40/46.2	69/77	80/80	50/58	50/60	—	—	50/58	—	—	—	—	—			
	CC30C	1	21.6/28.8	73.69/98.25	60/69.3	94/106	100/100	110/110	80/90	—	—	75/87	—	—	—	—	—			
CC40C	1	28.8/38.4	98.25/131	80.1/92.4	119/135	125/125	150/150	110/116	110/125	—	—	110/116	—	—	—	—	—			
	1	36.1/48	123.16/163.75	100.1/115.5	144/164	150/150	175/175	126/145	150/150	—	—	126/145	—	—	—	—	—			
CC50C	No Heat	—	—	—	—	67/67	70/80	—	—	67/67	70/80	—	—	67/67	70/80	—	—			
	CC10C	1	7.2/9.6	24.56/32.75	20/23.1	67/67	80/80	25/29	25/30	—	—	25/29	—	—	—	—	—			
	CC15C	1	10.8/14.4	36.84/49.13	30/34.6	67/67	80/80	38/44	40/45	—	—	38/44	—	—	—	—	—			
	CC20C	1	14.4/19.2	49.13/65.5	40/46.2	69/77	80/80	50/58	50/60	—	—	50/58	—	—	—	—	—			
	CC30C	1	21.6/28.8	73.69/98.25	60/69.3	94/106	100/100	110/110	80/90	—	—	75/87	—	—	—	—	—			
CC40C	1	28.8/38.4	98.25/131	80.1/92.4	119/135	125/125	150/150	110/116	110/125	—	—	110/116	—	—	—	—	—			
CC50C	1	36.1/48	123.16/163.75	100.1/115.5	144/164	150/150	175/175	126/145	150/150	—	—	126/145	—	—	—	—	—			

\*= For Canadian use only. Uses "P" fuses for inductive circuit.  
 + = Field installed only.



Air

Electric Heater Kits  
RLNL-B Series**208/240 VOLT, THREE PHASE, 60 HZ, AUXILIARY ELECTRIC HEATER KITS CHARACTERISTICS AND APPLICATION****Single Power Supply For Both Unit and Heater Kit****Separate Power Supply For Both Unit and Heater Kit**

Unit Model No. RLNL-	Heater Kit						Air Conditioner					
	RXJJ-Heater Kit Nominal kW	No. of Sequence Steps	Rated Heater kW @ 208/240 V	Heater KBTU/Hr @ 208/240 V	Heater Amp. @ 208/240 V	Unit Min. Ckt. Ampacity @ 208/240 V	Over Current Protective Device Size		Min. Circuit Ampacity 208/240 V	Over Current Protective Device Size		
							Min./Max. @ 208 V	Min./Max. @ 240 V		Min./Max. @ 208 V	Min./Max. @ 240 V	
B073CM	No Heat	—	—	—	—	35/35	40/50	40/50	—	35/35	40/50	40/50
	CC10C	1	7.2/9.6	24.56/32.75	20/23.1	35/36	45/50	45/50	25/29	—	—	—
	CC15C	1	10.8/14.4	36.84/49.13	30/34.6	45/51	60/60	60/60	38/44	—	—	—
	CC20C	1	14.4/19.2	49.13/65.5	40/46.2	57/65	60/60	70/70	50/58	—	—	—
	CC30C	1	21.6/28.8	73.69/98.25	60/69.3	82/94	90/90	100/100	75/87	—	—	—
B090CM	No Heat	—	—	—	—	43/43	45/50	45/50	—	43/43	45/50	45/50
	CC10C	1	7.2/9.6	24.56/32.75	20/23.1	43/43	50/50	50/50	25/29	—	—	—
	CC15C	1	10.8/14.4	36.84/49.13	30/34.6	48/54	60/60	60/60	38/44	—	—	—
	CC20C	1	14.4/19.2	49.13/65.5	40/46.2	60/68	60/60	70/70	50/58	—	—	—
	CC30C	1	21.6/28.8	73.69/98.25	60/69.3	85/97	90/90	100/100	75/87	—	—	—
B102CM	No Heat	—	—	—	—	111/126	125/125	150/150	101/116	—	—	—
	CC10C	1	7.2/9.6	24.56/32.75	20/23.1	54/54	55/60	60/60	—	54/54	55/60	55/60
	CC15C	1	10.8/14.4	36.84/49.13	30/34.6	54/60	60/60	60/60	25/29	—	—	—
	CC20C	1	14.4/19.2	49.13/65.5	40/46.2	67/75	70/70	80/80	38/44	—	—	—
	CC30C	1	21.6/28.8	73.69/98.25	60/69.3	92/103	100/100	110/110	50/58	—	—	—
B120CM	No Heat	—	—	—	—	117/132	125/125	150/150	101/116	—	—	—
	CC10C	1	7.2/9.6	24.56/32.75	20/23.1	54/54	55/60	60/60	—	54/54	55/60	55/60
	CC15C	1	10.8/14.4	36.84/49.13	30/34.6	54/60	60/60	60/60	25/29	—	—	—
	CC20C	1	14.4/19.2	49.13/65.5	40/46.2	67/75	70/70	80/80	38/44	—	—	—
	CC30C	1	21.6/28.8	73.69/98.25	60/69.3	92/103	100/100	110/110	50/58	—	—	—
B151CM	No Heat	—	—	—	—	142/161	150/150	175/175	101/116	—	—	—
	CC10C	1	7.2/9.6	24.56/32.75	20/23.1	54/54	55/60	60/60	—	54/54	55/60	55/60
	CC15C	1	10.8/14.4	36.84/49.13	30/34.6	54/60	60/60	60/60	25/29	—	—	—
	CC20C	1	14.4/19.2	49.13/65.5	40/46.2	67/75	70/70	80/80	38/44	—	—	—
	CC30C	1	21.6/28.8	73.69/98.25	60/69.3	92/103	100/100	110/110	50/58	—	—	—
B151CM	No Heat	—	—	—	—	124/140	125/125	150/150	101/116	—	—	—
	CC10C	1	7.2/9.6	24.56/32.75	20/23.1	71/71	75/90	80/90	—	71/71	75/90	75/90
	CC15C	1	10.8/14.4	36.84/49.13	30/34.6	71/71	80/90	80/90	25/29	—	—	—
	CC20C	1	14.4/19.2	49.13/65.5	40/46.2	74/82	80/90	90/90	38/44	—	—	—
	CC30C	1	21.6/28.8	73.69/98.25	60/69.3	99/111	100/100	125/125	50/58	—	—	—
CC40C	1	28.8/38.4	98.25/131	80.1/92.4	124/140	124/140	150/150	75/87	—	—	—	—
	1	36.1/48	123.16/163.75	100.1/115.5	149/168	149/168	175/175	126/145	—	—	—	—

\*= For Canadian use only. Uses "pr" fuses for inductive circuit.  
+ = Field installed only.



## 480 VOLT, THREE PHASE, 60 HZ, AUXILIARY ELECTRIC HEATER KITS CHARACTERISTICS AND APPLICATION

Separate Power Supply For Both Unit and Heater Kit										
Unit Model No. RLNL-	Single Power Supply For Both Unit and Heater Kit					Separate Power Supply For Both Unit and Heater Kit				
	Heater Kit		Air Conditioner			Heater Kit		Air Conditioner		
	RXJJ-Heater Kit Nominal kW	No. of Sequence Steps	Rated Heater kW @ 480 V	Heater KBTU/Hr @ 480 V	Heater Amp. @ 480 V	Unit Min. Ckt. Ampacity @ 480 V	Over Current Protective Device Size Min./Max. @ 480 V	Min. Ckt. Ampacity 480 V	Max. Fuse Size 480 V	Over Current Protective Device Size Min./Max. @ 480 V
B073DL	No Heat	—	—	—	—	16	20/20	16	—	20/20
	CC10D	9.6	32.75	11.5	18	20/20	—	15	15	—
	CC15D	14.4	49.13	17.3	26	30/30	—	22	25	—
	CC20D	19.2	65.5	23.1	33	35/35	—	29	30	—
	CC30D	28.8	98.25	34.6	47	50/50	—	44	45	—
B090DL	No Heat	—	—	—	21	25/25	—	21	—	25/25
	CC10D	9.6	32.75	11.5	21	25/25	—	15	15	—
	CC15D	14.4	49.13	17.3	27	30/30	—	22	25	—
	CC20D	19.2	65.5	23.1	34	35/35	—	29	30	—
	CC30D	28.8	98.25	34.6	49	50/50	—	44	45	—
B102DL	No Heat	—	—	—	23	25/25	—	23	—	25/25
	CC10D	9.6	32.75	11.5	23	25/25	—	15	15	—
	CC15D	14.4	49.13	17.3	27	30/30	—	22	25	—
	CC20D	19.2	65.5	23.1	34	35/35	—	29	30	—
	CC30D	28.8	98.25	34.6	49	50/50	—	44	45	—
B120DL	No Heat	—	—	—	25	25/30	—	25	—	25/30
	CC10D	9.6	32.75	11.5	25	30/30	—	15	15	—
	CC15D	14.4	49.13	17.3	27	30/30	—	22	25	—
	CC20D	19.2	65.5	23.1	34	35/35	—	29	30	—
	CC30D	28.8	98.25	34.6	49	50/50	—	44	45	—
B151DL	No Heat	—	—	—	33	35/40	—	33	—	35/40
	CC10D	9.6	32.75	11.5	33	40/40	—	15	15	—
	CC15D	14.4	49.13	17.3	33	40/40	—	22	25	—
	CC20D	19.2	65.5	23.1	38	40/40	—	29	30	—
	CC30D	28.8	98.25	34.6	52	60/60	—	44	45	—
CC40D	No Heat	—	—	—	67	70/70	—	58	60	—
	CC40D	38.4	131	46.2	67	70/70	—	58	60	—
	CC50D	48	163.75	57.7	81	90/90	—	73	80	—
	CC10D	9.6	32.75	11.5	33	40/40	—	15	15	—
	CC15D	14.4	49.13	17.3	33	40/40	—	22	25	—
CC20D	19.2	65.5	23.1	38	40/40	—	29	30	—	
CC30D	28.8	98.25	34.6	52	60/60	—	44	45	—	
CC40D	38.4	131	46.2	67	70/70	—	58	60	—	
CC50D	48	163.75	57.7	81	90/90	—	73	80	—	

\*= For Canadian use only. Uses "P" fuses for inductive circuit.  
 += Field installed only.

**480 VOLT, THREE PHASE, 60 HZ, AUXILIARY ELECTRIC HEATER KITS CHARACTERISTICS AND APPLICATION****Single Power Supply For Both Unit and Heater Kit****Separate Power Supply For Both Unit and Heater Kit**

Unit Model No. RLNL-	Single Power Supply For Both Unit and Heater Kit										Separate Power Supply For Both Unit and Heater Kit			
	Heater Kit					Air Conditioner					Heater Kit		Air Conditioner	
	RXJJ-Heater Kit Nominal kW	No. of Sequence Steps	Rated Heater kW @ 480 V	Heater KBTU/Hr @ 480 V	Heater Amp. @ 480 V	Unit Min. Ckt. Ampacity @ 480 V	Over Current Protective Device Size Min./Max. @ 480 V	Over Current Protective Device Size Min./Max. @ 480 V	Min. Ckt. Ampacity 480 V	Max. Fuse Size 480 V	Min. Circuit Ampacity 480 V	Over Current Protective Device Size Min./Max. @ 480 V	Over Current Protective Device Size Min./Max. @ 480 V	
B073DM	No Heat	—	—	—	—	16	20/20	20/20	—	—	16	20/20	—	
	CC10D	1	9.6	32.75	11.5	18	20/20	20/20	15	15	—	—	—	
	CC15D	1	14.4	49.13	17.3	26	30/30	30/30	22	25	—	—	—	
	CC20D	1	19.2	65.5	23.1	33	35/35	35/35	29	30	—	—	—	
B090DM	CC30D	1	28.8	98.25	34.6	47	50/50	50/50	44	45	—	—	—	
	No Heat	—	—	—	—	21	25/25	25/25	—	—	21	25/25	—	
	CC10D	1	9.6	32.75	11.5	21	25/25	25/25	15	15	—	—	—	
	CC15D	1	14.4	49.13	17.3	27	30/30	30/30	22	25	—	—	—	
B102DM	CC20D	1	19.2	65.5	23.1	34	35/35	35/35	29	30	—	—	—	
	CC30D	1	28.8	98.25	34.6	49	50/50	50/50	44	45	—	—	—	
	CC40D	1	38.4	131	46.2	63	70/70	70/70	58	60	—	—	—	
	No Heat	—	—	—	—	26	30/30	30/30	—	—	26	30/30	—	
B120DM	CC10D	1	9.6	32.75	11.5	26	30/30	30/30	15	15	—	—	—	
	CC15D	1	14.4	49.13	17.3	31	35/35	35/35	22	25	—	—	—	
	CC20D	1	19.2	65.5	23.1	38	40/40	40/40	29	30	—	—	—	
	CC30D	1	28.8	98.25	34.6	52	60/60	60/60	44	45	—	—	—	
B151DM	CC40D	1	38.4	131	46.2	67	70/70	70/70	58	60	—	—	—	
	CC50D	1	48	163.75	57.7	81	90/90	90/90	73	80	—	—	—	
	No Heat	—	—	—	—	36	40/45	40/45	—	—	36	40/45	—	
	CC10D	1	9.6	32.75	11.5	36	40/45	40/45	15	15	—	—	—	
B151DM	CC15D	1	14.4	49.13	17.3	36	40/45	40/45	22	25	—	—	—	
	CC20D	1	19.2	65.5	23.1	42	45/45	45/45	29	30	—	—	—	
	CC30D	1	28.8	98.25	34.6	56	60/60	60/60	44	45	—	—	—	
	CC40D	1	38.4	131	46.2	71	80/80	80/80	58	60	—	—	—	
CC50D	1	48	163.75	57.7	85	90/90	90/90	73	80	—	—	—		

\*= For Canadian use only. Uses "P" fuses for inductive circuit.  
+ = Field installed only.

## 600 VOLT, THREE PHASE, 60 HZ, AUXILIARY ELECTRIC HEATER KITS CHARACTERISTICS AND APPLICATION

Separate Power Supply For Both Unit and Heater Kit											
Unit Model No. RLNL-	Single Power Supply For Both Unit and Heater Kit					Separate Power Supply For Both Unit and Heater Kit					
	Heater Kit			Air Conditioner		Heater Kit			Air Conditioner		
	RXJJ- Heater Kit Nominal kW	No. of Sequence Steps	Rated Heater kW @ 600 V	Heater KBTU/Hr @ 600 V	Heater Amp. @ 600 V	Unit Min. Ckt. Ampacity @ 600 V	Over Current Protective Device Size Min./Max. @ 600 V	Min. Ckt. Ampacity 600 V	Max. Fuse Size 600 V	Min. Circuit Ampacity 600 V	Over Current Protective Device Size Min./Max. @ 600 V
B073YL	No Heat	—	—	—	—	13	15/15	—	—	13	15/15
	CC10Y	1	9.6	32.75	9.2	14	20/20	12	15	—	—
	CC15Y	1	14.4	49.13	13.9	20	20/20	18	20	—	—
	CC20Y	1	19.2	65.5	18.5	26	30/30	24	25	—	—
	CC30Y	1	28.8	98.25	27.7	38	40/40	35	35	—	—
B090YL	No Heat	—	—	—	—	16	20/20	—	—	16	20/20
	CC10Y	1	9.6	32.75	9.2	17	20/20	12	15	—	—
	CC15Y	1	14.4	49.13	13.9	23	25/25	18	20	—	—
	CC20Y	1	19.2	65.5	18.5	29	30/30	24	25	—	—
	CC30Y	1	28.8	98.25	27.7	40	40/40	35	35	—	—
B102YL	CC40Y	1	38.4	131	37	52	60/60	47	50	—	—
	No Heat	—	—	—	—	19	20/20	—	—	19	20/20
	CC10Y	1	9.6	32.75	9.2	19	20/20	12	15	—	—
	CC15Y	1	14.4	49.13	13.9	23	25/25	18	20	—	—
	CC20Y	1	19.2	65.5	18.5	29	30/30	24	25	—	—
B120YL	CC30Y	1	28.8	98.25	27.7	40	40/40	35	35	—	—
	CC40Y	1	38.4	131	37	52	60/60	47	50	—	—
	No Heat	—	—	—	—	19	20/20	—	—	19	20/20
	CC10Y	1	9.6	32.75	9.2	19	25/25	12	15	—	—
	CC15Y	1	14.4	49.13	13.9	23	25/25	18	20	—	—
B151YL	CC20Y	1	19.2	65.5	18.5	29	30/30	24	25	—	—
	CC30Y	1	28.8	98.25	27.7	40	40/40	35	35	—	—
	CC40Y	1	38.4	131	37	52	60/60	47	50	—	—
	No Heat	—	—	—	—	28	30/35	—	—	28	30/35
	CC10Y	1	9.6	32.75	9.2	28	30/35	12	15	—	—
CC50Y	CC15Y	1	14.4	49.13	13.9	28	30/35	18	20	—	—
	CC20Y	1	19.2	65.5	18.5	34	35/35	24	25	—	—
	CC30Y	1	28.8	98.25	27.7	45	45/45	35	35	—	—
	CC40Y	1	38.4	131	37	57	60/60	47	50	—	—
	CC50Y	1	48	163.75	46.2	68	70/70	58	60	—	—

\*= For Canadian use only. Uses "p" fuses for inductive circuit.  
 + = Field installed only.



## 600 VOLT, THREE PHASE, 60 HZ, AUXILIARY ELECTRIC HEATER KITS CHARACTERISTICS AND APPLICATION

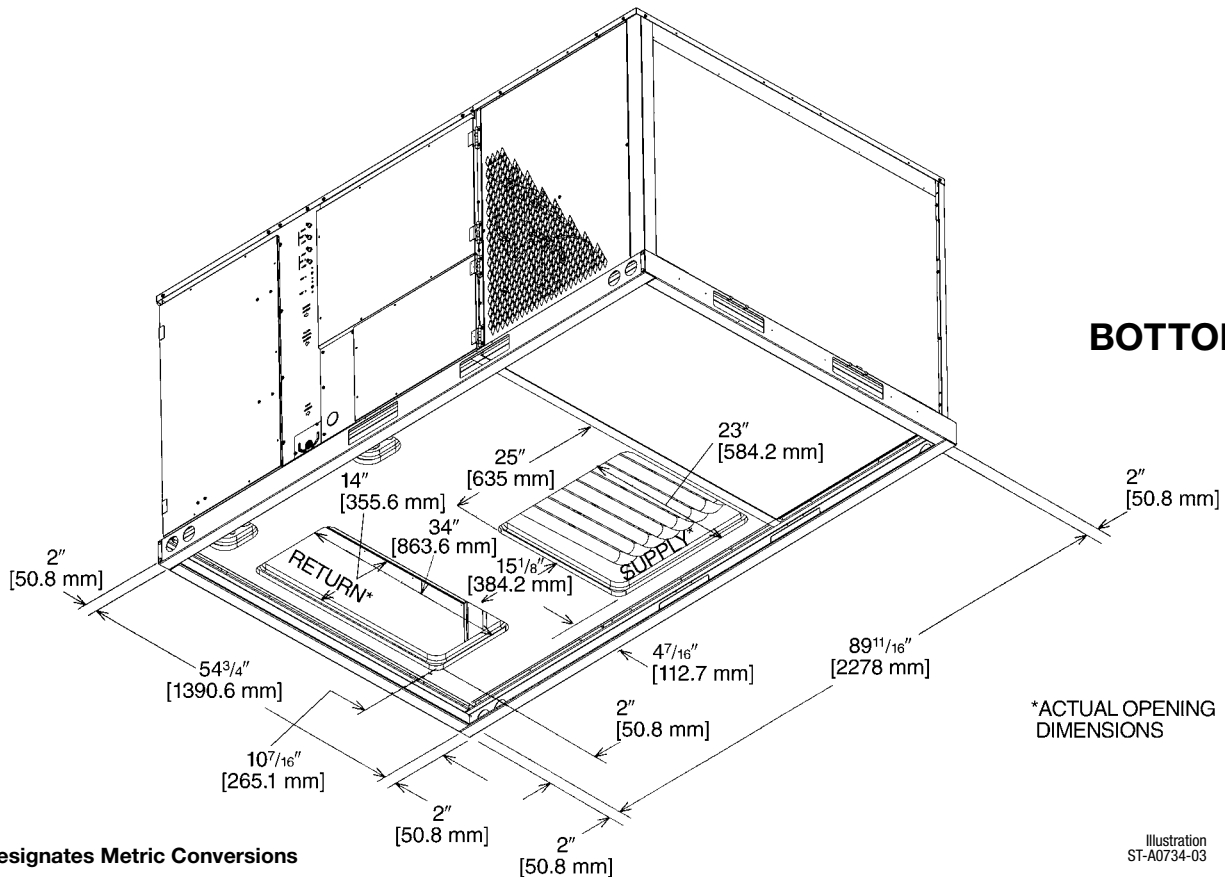
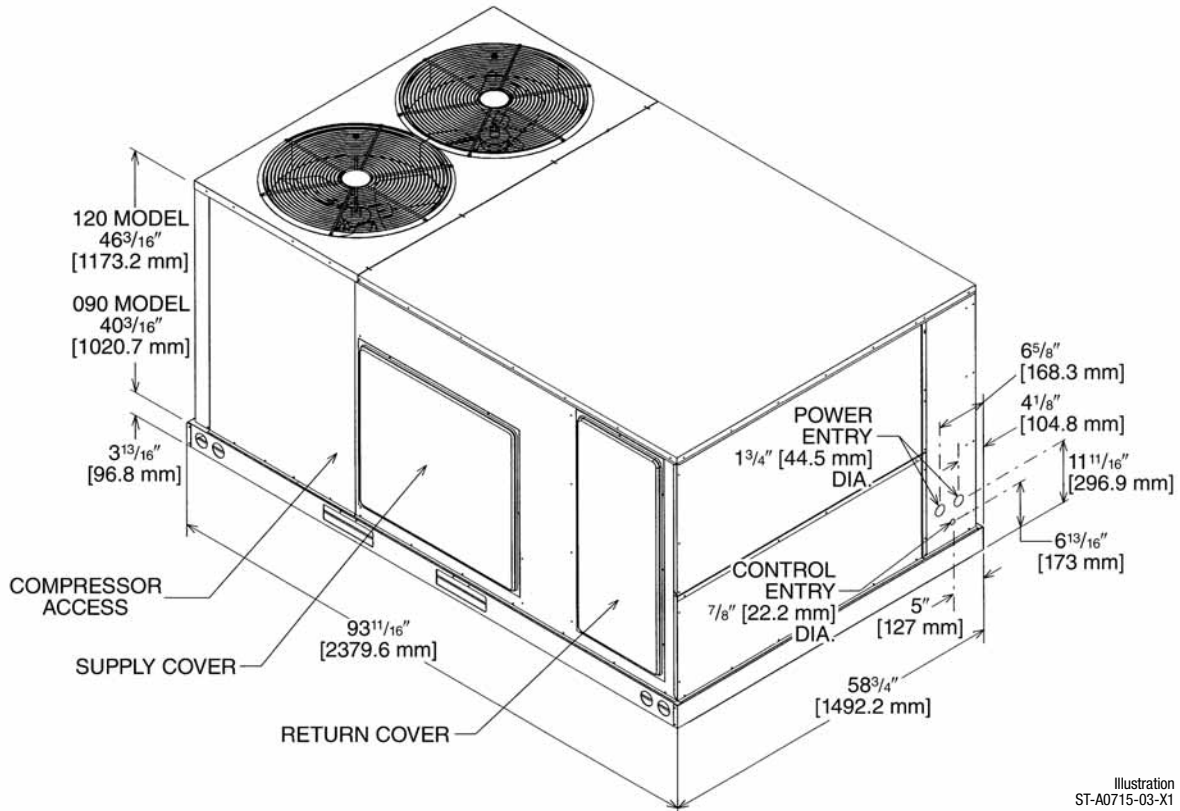
### Single Power Supply For Both Unit and Heater Kit

Unit Model No. RLNL-	Heater Kit						Air Conditioner						Separate Power Supply For Both Unit and Heater Kit					
	RXJJ-Heater Kit Nominal kW	No. of Sequence Steps	Rated Heater kW @ 600 V	Heater KBTU/Hr @ 600 V	Heater Amp. @ 600 V	Unit Min. Ckt. Ampacity @ 600 V	Over Current Protective Device Size @ 600 V		Min. Ckt. Ampacity 600 V	Max. Fuse Size 600 V	Min. Circuit Ampacity 600 V	Over Current Protective Device Size @ 600 V		Min. Ckt. Ampacity 600 V	Max. Fuse Size 600 V	Min. Circuit Ampacity 600 V	Over Current Protective Device Size @ 600 V	
							Min./Max.	Min./Max.				Min./Max.	Min./Max.					
B073YM	No Heat	—	—	—	—	13	15/15	—	—	—	13	15/15	—	—	—	—	—	—
	CC10Y	1	9.6	32.75	9.2	14	20/20	—	15	—	12	20/20	—	15	—	—	—	—
	CC15Y	1	14.4	49.13	13.9	20	20/20	—	20	—	18	20/20	—	20	—	—	—	—
	CC20Y	1	19.2	65.5	18.5	26	30/30	—	25	—	24	30/30	—	25	—	—	—	—
B090YM	CC30Y	1	28.8	98.25	27.7	38	40/40	—	35	—	35	40/40	—	35	—	—	—	—
	No Heat	—	—	—	—	16	20/20	—	—	—	16	20/20	—	—	—	—	—	—
	CC10Y	1	9.6	32.75	9.2	17	20/20	—	15	—	12	20/20	—	15	—	—	—	—
	CC15Y	1	14.4	49.13	13.9	23	25/25	—	20	—	18	25/25	—	20	—	—	—	—
B102YM	CC20Y	1	19.2	65.5	18.5	29	30/30	—	25	—	24	30/30	—	25	—	—	—	—
	CC30Y	1	28.8	98.25	27.7	40	40/40	—	35	—	35	40/40	—	35	—	—	—	—
	CC40Y	1	38.4	131	37	52	60/60	—	50	—	47	60/60	—	50	—	—	—	—
	No Heat	—	—	—	—	24	25/30	—	—	—	24	25/30	—	—	—	—	—	—
B120YM	CC10Y	1	9.6	32.75	9.2	24	30/30	—	15	—	12	30/30	—	15	—	—	—	—
	CC15Y	1	14.4	49.13	13.9	28	30/30	—	20	—	18	30/30	—	20	—	—	—	—
	CC20Y	1	19.2	65.5	18.5	34	35/35	—	25	—	24	35/35	—	25	—	—	—	—
	CC30Y	1	28.8	98.25	27.7	45	45/45	—	35	—	35	45/45	—	35	—	—	—	—
B151YM	CC40Y	1	38.4	131	37	57	60/60	—	50	—	47	60/60	—	50	—	—	—	—
	CC50Y	1	48	163.75	46.2	68	70/70	—	60	—	58	70/70	—	60	—	—	—	—
	No Heat	—	—	—	—	28	30/35	—	—	—	28	30/35	—	—	—	—	—	—
	CC10Y	1	9.6	32.75	9.2	28	30/35	—	15	—	12	30/35	—	15	—	—	—	—
B151YM	CC15Y	1	14.4	49.13	13.9	28	30/35	—	20	—	18	30/35	—	20	—	—	—	—
	CC20Y	1	19.2	65.5	18.5	34	35/35	—	25	—	24	35/35	—	25	—	—	—	—
	CC30Y	1	28.8	98.25	27.7	45	45/45	—	35	—	35	45/45	—	35	—	—	—	—
	CC40Y	1	38.4	131	37	57	60/60	—	50	—	47	60/60	—	50	—	—	—	—
B151YM	CC50Y	1	48	163.75	46.2	68	70/70	—	60	—	58	70/70	—	60	—	—	—	—
	No Heat	—	—	—	—	28	30/35	—	—	—	28	30/35	—	—	—	—	—	—
	CC10Y	1	9.6	32.75	9.2	28	30/35	—	15	—	12	30/35	—	15	—	—	—	—
	CC15Y	1	14.4	49.13	13.9	28	30/35	—	20	—	18	30/35	—	20	—	—	—	—
B151YM	CC20Y	1	19.2	65.5	18.5	34	35/35	—	25	—	24	35/35	—	25	—	—	—	—
	CC30Y	1	28.8	98.25	27.7	45	45/45	—	35	—	35	45/45	—	35	—	—	—	—
	CC40Y	1	38.4	131	37	57	60/60	—	50	—	47	60/60	—	50	—	—	—	—
	CC50Y	1	48	163.75	46.2	68	70/70	—	60	—	58	70/70	—	60	—	—	—	—

\*= For Canadian use only. Uses "P" fuses for inductive circuit.  
+ = Field installed only.



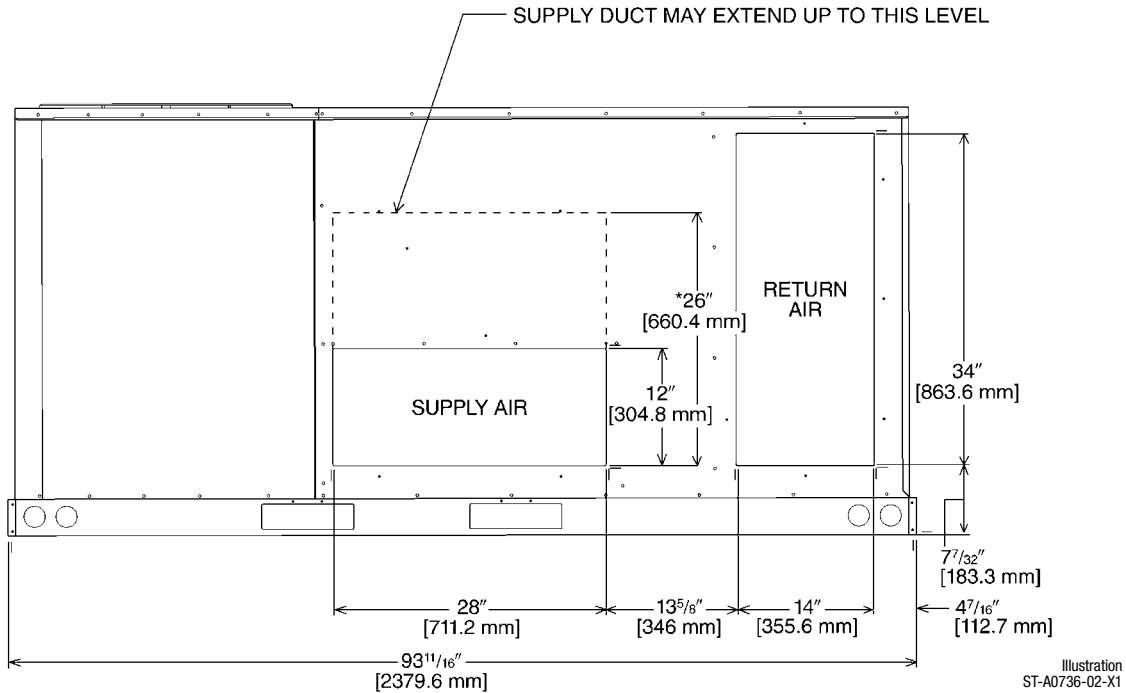
# PACKAGE AIR CONDITIONER



[ ] Designates Metric Conversions

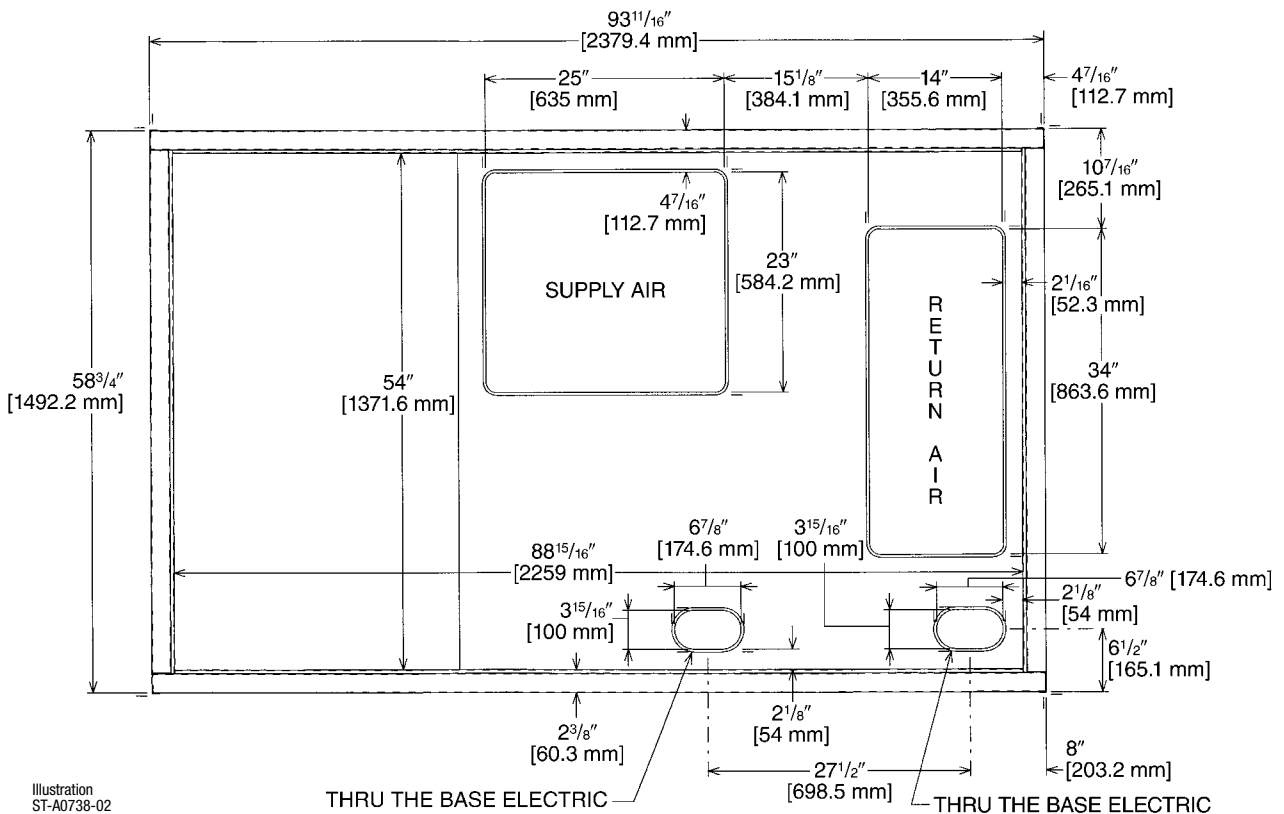
# PACKAGE AIR CONDITIONER

## SUPPLY AND RETURN DIMENSIONS FOR HORIZONTAL APPLICATIONS



**\*RECOMMENDED DUCT DIMENSIONS ARE 26"**

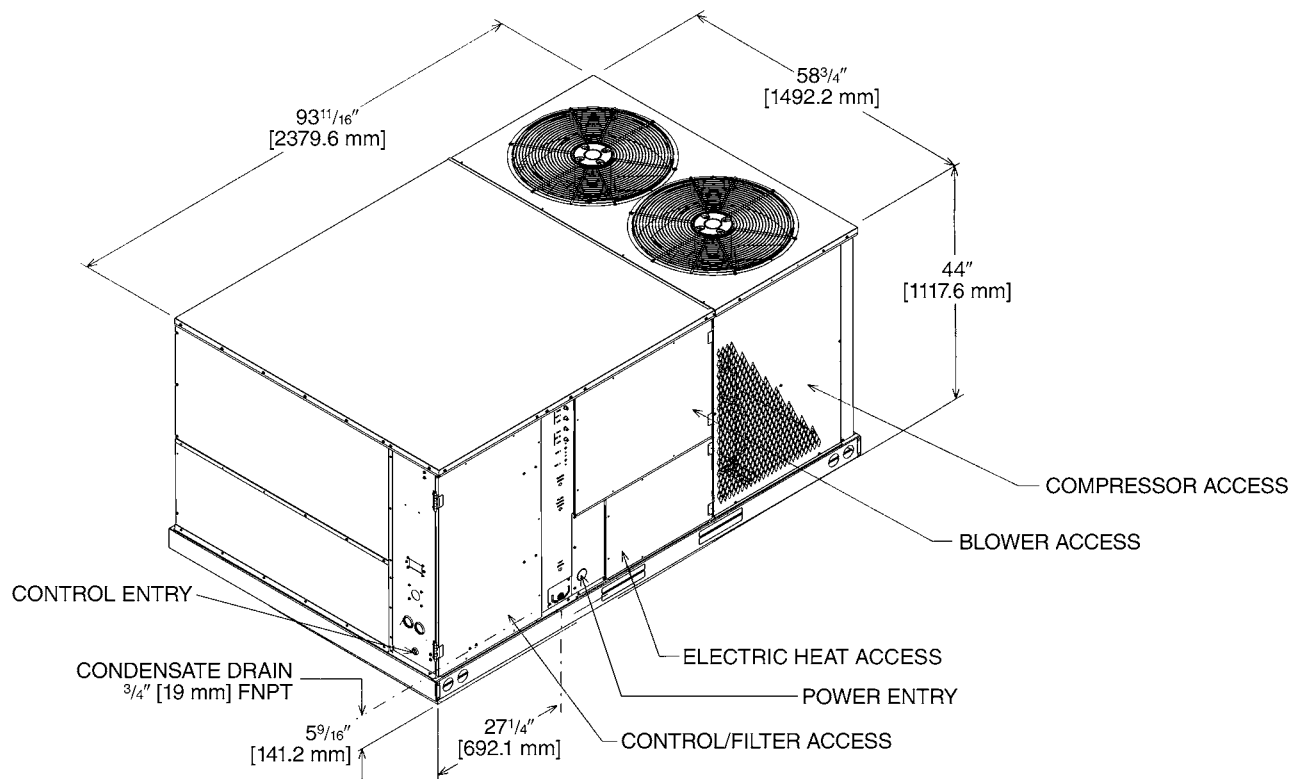
## SUPPLY AND RETURN DIMENSIONS FOR DOWNFLOW APPLICATIONS



[ ] Designates Metric Conversions



# PACKAGE AIR CONDITIONER



[ ] Designates Metric Conversions

# WEIGHTS

Accessory	Shipping—lbs [kg]	Operating—lbs [kg]
Economizer	90 [40.82]	81 [36.70]
Power Exhaust	44 [19.96]	42 [19.05]
Fresh Air Damper (Manual)	26 [11.79]	21 [9.53]
Fresh Air Damper (Motorized)	43 [19.50]	38 [17.24]
Roof Curb 14"	90 [40.82]	85 [38.60]
Roof Curb 24"	140 [63.50]	135 [61.23]

Capacity Tons [kW]	Corner Weights by Percentage			
	A	B	C	D
6-12.5 [21.1-44.0]	33%	27%	17%	23%

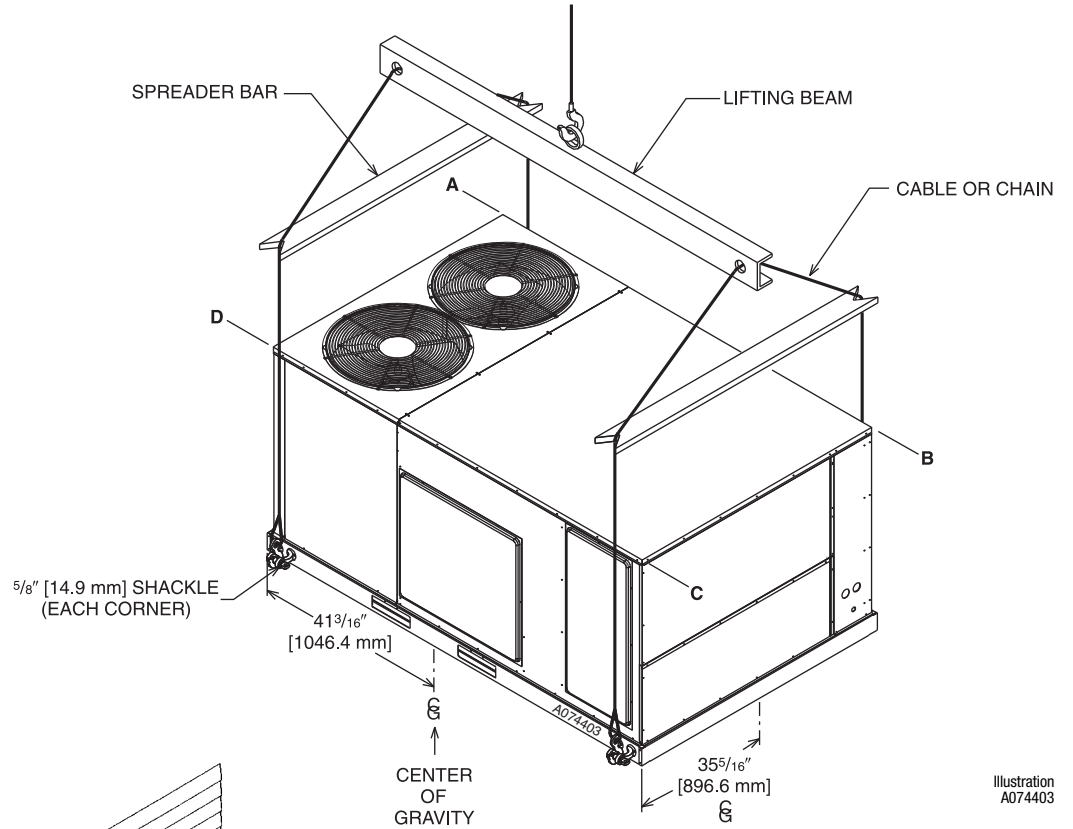
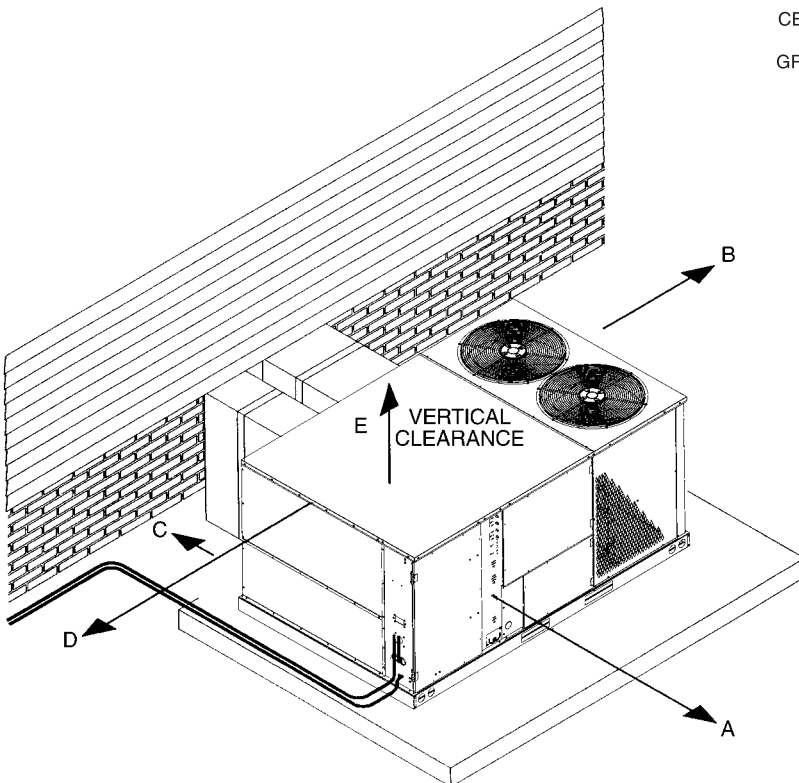


Illustration A074403



### CLEARANCES

The following minimum clearances must be observed for proper unit performance and serviceability.

Recommended Clearance In. [mm]	Location
48 [1219]	A - Front
18 [457]	B - Condenser Coil
18 [457]	C - Duct Side
18 [457]	*D - Evaporator End
60 [1524]	E - Above
*Without Economizer. 48" [1219 mm] With Economizer	

[ ] Designates Metric Conversions

## FIELD INSTALLED ACCESSORY EQUIPMENT

Accessory	Model Number	Shipping Weight Lbs. [kg]	Installed Weight Lbs. [kg]	Factory Installation Available?
Thermostats	See Thermostat Specification Sheet for Details (T11-001)			No
Electric Heaters*—Canadian Use Only.	RXJJ-CC10 (C,D,Y)	46 [20.9]	36 [16.3]	Yes
	RXJJ-CC15 (C,D,Y)	46 [20.9]	36 [16.3]	Yes
	RXJJ-CC20 (C,D,Y)	46 [20.9]	36 [16.3]	Yes
	RXJJ-CC30 (C,D,Y)	47 [21.3]	37 [16.8]	Yes
	RXJJ-CC31 (C,D)*	47 [21.3]	37 [16.8]	Yes
	RXJJ-CC40 (C,D,Y)	49 [22.2]	39 [17.7]	Yes
	RXJJ-CC41 (C,D)*	49 [22.2]	39 [17.7]	Yes
	RXJJ-CC50 (C,D,Y)	51 [23.1]	41 [18.6]	Yes
RXJJ-CC51 (C,D)*	51 [23.1]	41 [18.6]	Yes	
Economizer w/Single Enthalpy	AXRD-PDCM3	90 [40.8]	81 [36.7]	Yes
Economizer w/Single Enthalpy and Smoke Dectector	AXRD-SDCM3	91 [41.3]	82 [37.2]	Yes
Dual Enthalpy Kit	RXR-AR02	1 [0.5]	1 [0.5]	No
Horizontal Economizer w/Single Enthalpy	AXRD-RDCM3	94 [42.6]	89 [40.4]	No
Carbon Dioxide Sensor	RXR-AR02	3 [1.4]	2 [1.0]	No
Power Exhaust	RXR-BFF02 (C,D,Y)	43 [19.5]	38 [17.2]	No
Manual Fresh Air (Left Panel Mounted)	AXRF-KDA1	38 [17.2]	31 [14.0]	No
Manual Fresh Air (Return Panel)	AXRF-JDA1	26 [11.8]	21 [9.5]	No
Motorized Fresh Air (Return Panel)	AXRF-JDB1	43 [19.5]	21 [9.5]	No
Motor Kit for RXRF-KDA1 (Left Panel Mounted)	RXR-AW02	35 [15.19]	27 [17.7]	No
Roofcurb, 14"	RXKG-CAE14	90 [40.8]	85 [38.5]	No
Roofcurb, 24"	RXKG-CAE24	140 [63.5]	135 [61.2]	No
Roofcurb Adapters	RXR-CDCE50	300 [136.1]	290 [131.5]	No
	RXR-CFCE54	325 [147.4]	315 [142.9]	No
	RXR-CFCE56	350 [158.8]	340 [154.2]	No
	RXR-CGCC12	450 [204.1]	410 [186.0]	No
Concentric Diffuser (Step-Down, 20" Round)	RXRN-FA65	139 [63.0]	60 [27.2]	No
Concentric Diffuser (Step-Down, 18 x 28)	RXRN-AA61	200 [90.7]	185 [83.9]	No
Concentric Diffuser (Step-Down, 18 x 32)	RXRN-AA66	247 [112.0]	227 [103.0]	No
Concentric Diffuser (Flush, 20" Round)	RXRN-FA75	54 [24.4]	42 [19.0]	No
Concentric Diffuser (Flush, 18 x 28)	RXRN-AA71	170 [77.1]	155 [70.3]	No
Concentric Diffuser (Flush, 18 x 32)	RXRN-AA76	176 [79.8]	161 [73.0]	No
Downflow Adapters (Rect. to Round)	RXMC-CD04 ①	15 [6.8]	13 [5.9]	No
Downflow Adapters (Rect. to Rect., 18 x 28)	RXMC-CE05 ②	18 [8.2]	16 [7.3]	No
Downflow Adapters (Rect. to Rect., 18 x 32)	RXMC-CF06 ③	20 [9.1]	18 [8.2]	No
Compressor Time-Delay Relay Kit	RXMD-A04	2 [1.0]	1 [0.5]	No
Low-Ambient Control Kit (1 Per Compressor)	RXRZ-C02	3 [1.4]	2 [1.0]	Yes
Freeze-Stat Kit	RXR-AM01	1 [0.5]	0.5 [0.2]	Yes
Outdoor Coil Louver Kit	RXR-AAD01C ④	29 [11.3]	26 [11.8]	Yes
Outdoor Coil Louver Kit	RXR-AAD02A ⑤	29 [11.3]	26 [11.8]	Yes
Unwired Convenience Outlet	RXR-AN01	2 [1.0]	1.5 [0.7]	Yes

NOTES: ① Used with RXRN-FA65 and RXRN-FA75 concentric diffusers.

② Used with RXRN-AA61 and RXRN-AA71 concentric diffusers.

③ Used with RXRN-AA66 and RXRN-AA76 concentric diffusers.

④ For 6-10 Ton Models.

⑤ For 12 1/2 Ton Models.

[ ] Designates Metric Conversions

# THERMOSTATS



**200-Series \***  
Programmable



**300-Series \***  
Deluxe  
Programmable

**400-Series \***  
Special Applications/  
Programmable



**500-Series \***  
Communicating/  
Programmable

Brand	Descriptor (3 Characters)	Series (3 Characters)	System (2 Characters)	Type (2 Characters)
<b>RHC</b>	<b>-</b>	<b>213</b>	<b>UN</b>	<b>MS</b>
RHC=Rheem	TST=Thermostat	200=Programmable 300=Deluxe Programmable 400=Special Applications/ Programmable 500=Communicating/ Programmable	GE=Gas/Electric UN=Universal (AC/HP/GE) MD=Modulating Furnace DF=Dual Fuel CM=Communicating	SS=Single-Stage MS=Multi-Stage

\* Photos are representative. Actual models may vary.

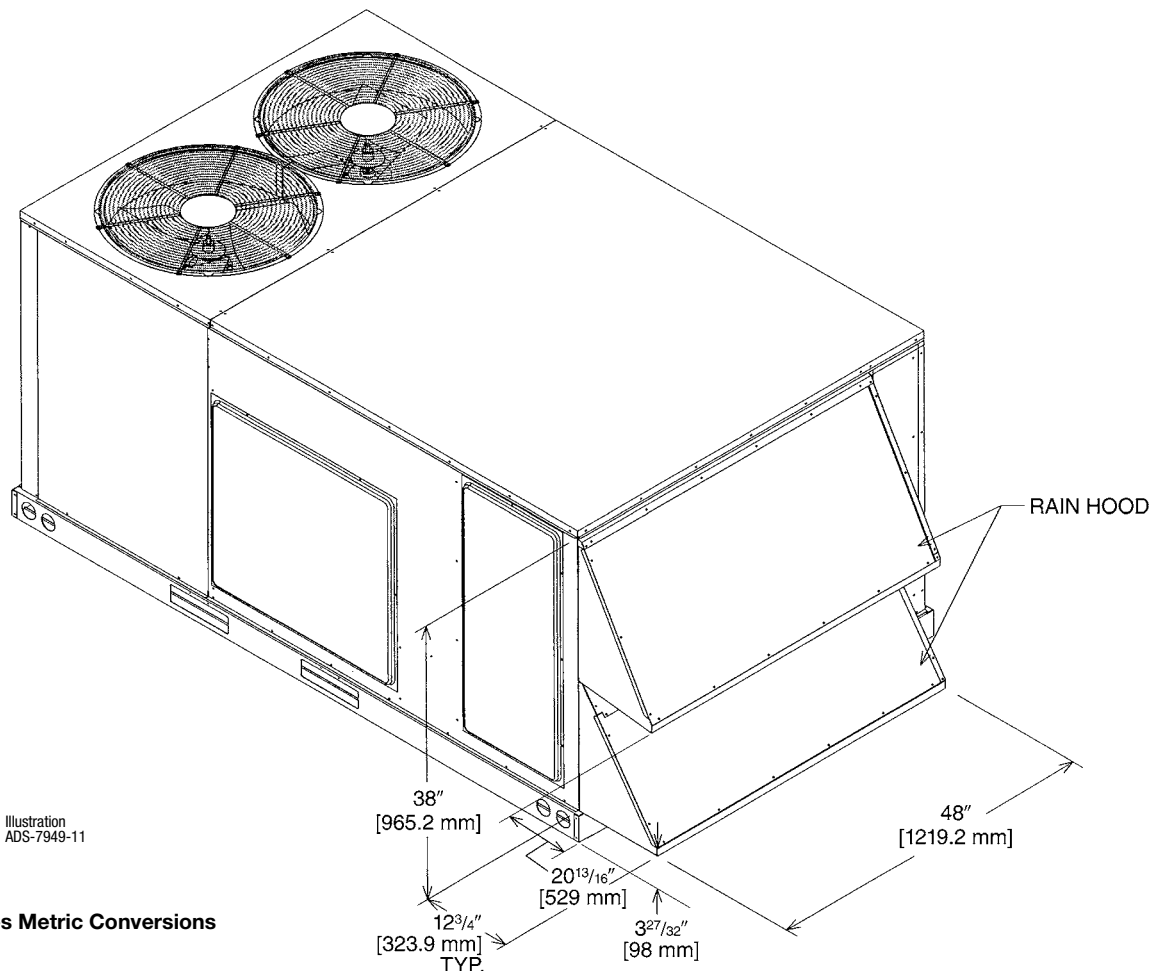
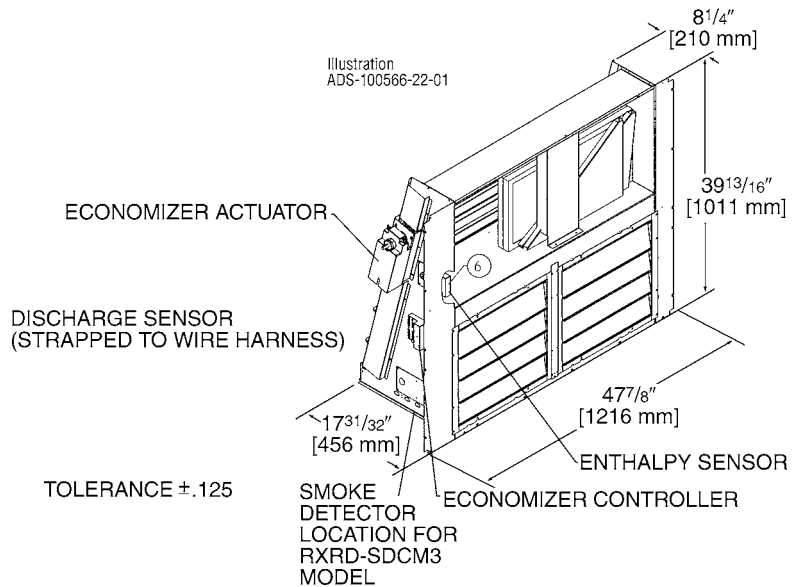
For detailed thermostat match-up information,  
see specification sheet form number T11-001.

## ECONOMIZER FOR DOWNFLOW DUCT INSTALLATION

### Use to Select Factory Installed Options Only

**AXRD-PDCM3—Single Enthalpy (Outdoor) and AXRD-SDCM3 Single Enthalpy with Smoke Detector**  
**RXXR-AV02—Dual Enthalpy Upgrade Kit**  
**RXXR-AR02—Optional Wall-Mounted CO<sub>2</sub> Sensor**

- Features **Honeywell** Controls
- Available Factory Installed or Field Accessory
- Gear Driven Direct Drive Actuator
- Fully Modulating (0-100%)
- Low Leakage Dampers
- Slip-In Design for Easy Installation
- Plug-In Polarized 12-pin Electrical Connections
- Pre-Configured—No Field Adjustments Necessary
- Standard Barometric Relief Damper
- Single Enthalpy with Dual Enthalpy Upgrade Kit Available
- CO<sub>2</sub> Input Sensor Available
- Field Assembled Hood Ships with Economizer
- Economizer Ships Complete for Downflow Duct Application.
- Optional Remote Minimum Position Potentiometer (Honeywell #S963B1128) is Available from Prostock.
- Field Installed Power Exhaust Available
- Prewired for Smoke Detector



[ ] Designates Metric Conversions

# ECONOMIZER FOR HORIZONTAL DUCT INSTALLATION

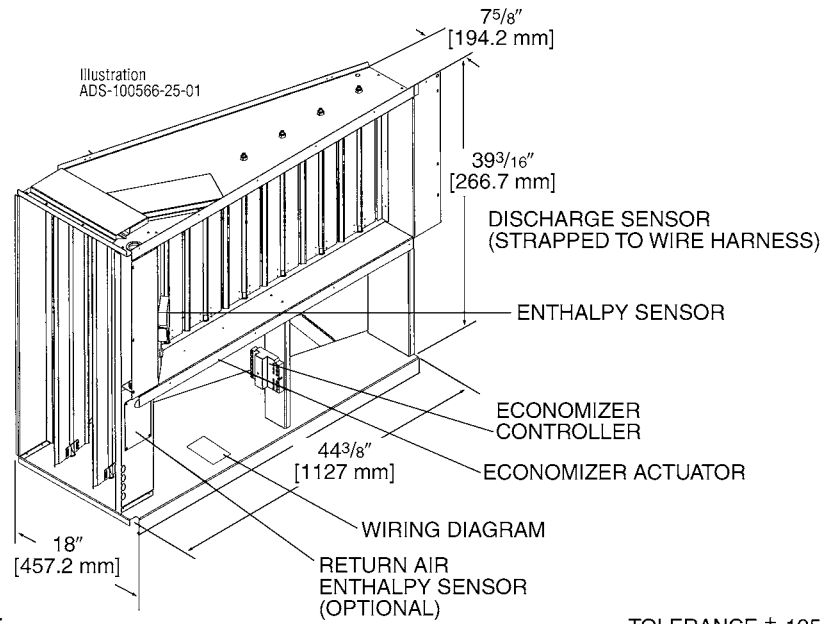
## Field Installed Only

**AXRD-RDCM3—Single Enthalpy (Outdoor)**

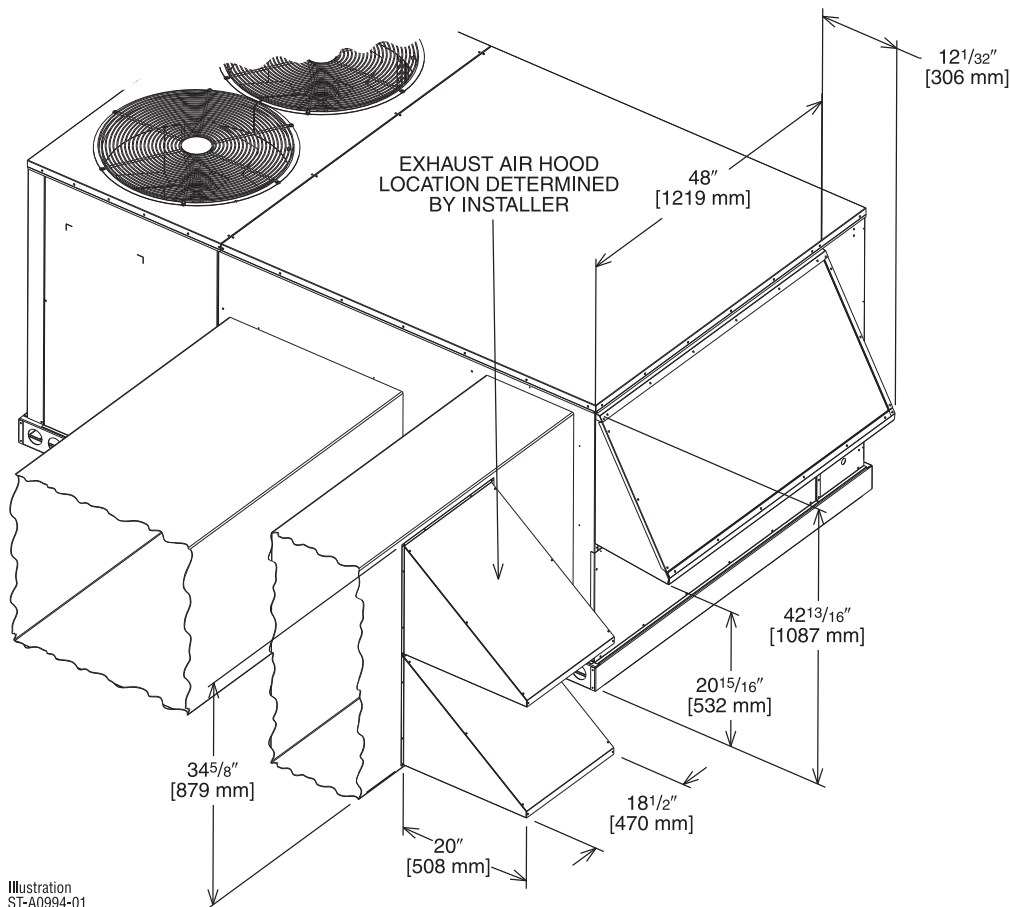
**RXXR-AV02—Dual Enthalpy Upgrade Kit**

**RXXR-AR02—Wall-mounted CO<sub>2</sub> Sensor**

- Features **Honeywell** Controls
- Available as a Field Installed Accessory Only
- Gear Driven Direct Drive Actuator
- Fully Modulating (0-100%)
- Low Leakage Dampers
- Slip-In Design for Easy Installation
- Plug-In Polarized 12-pin Electrical Connections
- Pre-Configured—  
No Field Adjustments Necessary
- Standard Barometric Relief Damper
- Single Enthalpy with Dual Enthalpy Upgrade Kit Available
- CO<sub>2</sub> Input Sensor Available
- Field Assembled Hood Ships with Economizer
- Economizer Ships Complete for Horizontal Duct Application
- Optional Remote Minimum Position Potentiometer (Honeywell #S963B1128) is Available from Prostock
- Field Installed Power Exhaust Available



TOLERANCE ± .125



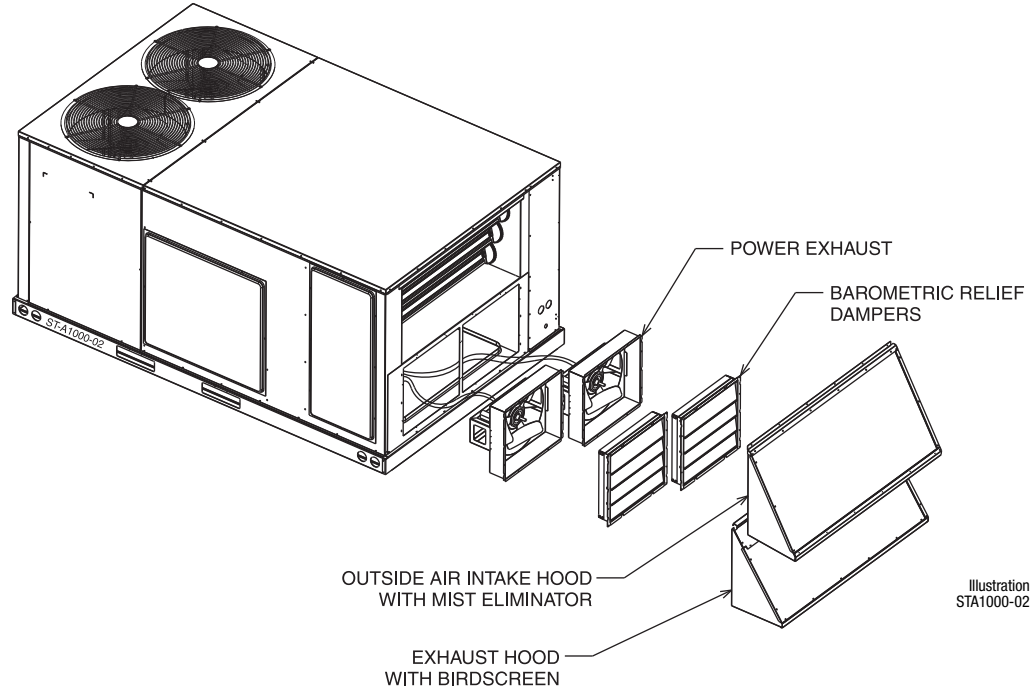
[ ] Designates Metric Conversions

# POWER EXHAUST KIT FOR RXRD-PDCM3(-), RXRD-RDCM3(-), RXRD-SDCM3 ECONOMIZERS

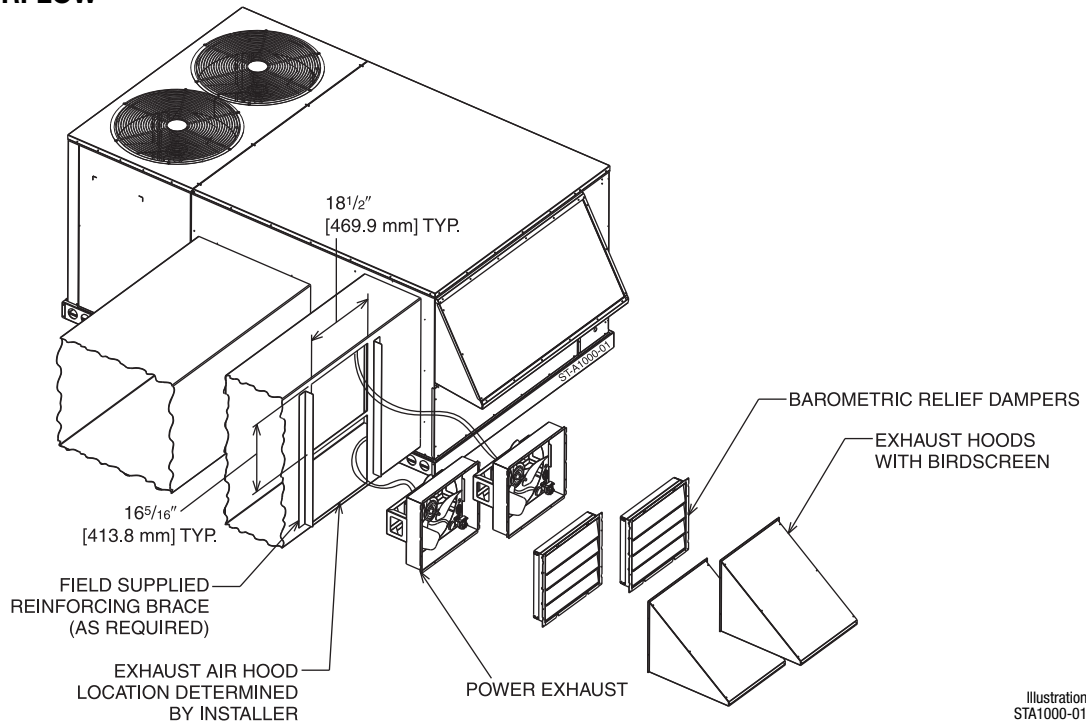
RXRX-BFF02 (C, D, or Y\*)

\*Voltage Code

## VERTICAL AIRFLOW



## HORIZONTAL AIRFLOW



Model No.	No. of Fans	Volts	Phase	HP (ea.)	Low Speed		High Speed ①		FLA (ea.)	LRA (ea.)
					CFM [L/s] ②	RPM	CFM [L/s] ②	RPM		
RXRX-BFF02C	2	208-230	1	0.33	2200 [1038]	1518	2500 [1179]	1670	1.48	3.6
RXRX-BFF02D	2	460	1	0.33	2200 [1038]	1518	2500 [1179]	1670	0.75	1.8
RXRX-BFF02Y	2	575	1	0.33	2200 [1038]	1518	2500 [1179]	1670	0.81	1.5

NOTES: ① Power exhaust is factory set on high speed motor tap.  
② CFM is per fan at 0" w.c. external static pressure.

[ ] Designates Metric Conversions

# FRESH AIR DAMPER

**MOTORIZED DAMPER KIT**  
**RXRX-AW02**  
**(Motor Kit for RXRF-KDA1)**

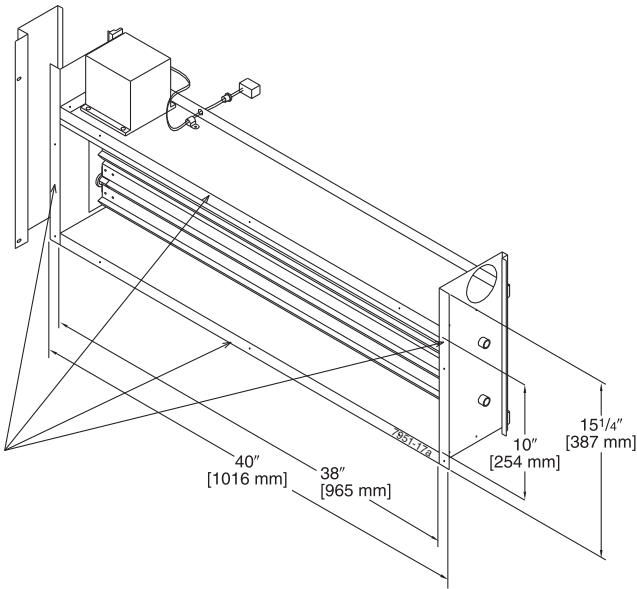


Illustration  
ST-7951-17

[ ] Designates Metric Conversions

**AXRF-KDA1 (Manual)**  
**DOWNFLOW OR**  
**HORIZONTAL APPLICATION**

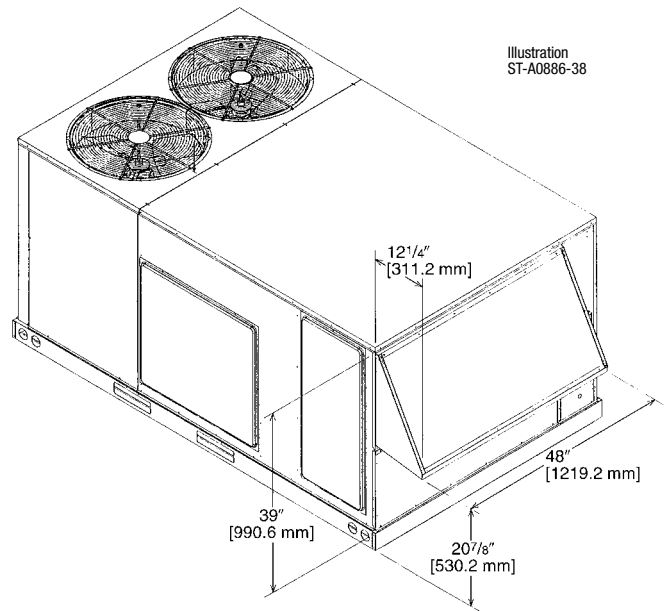


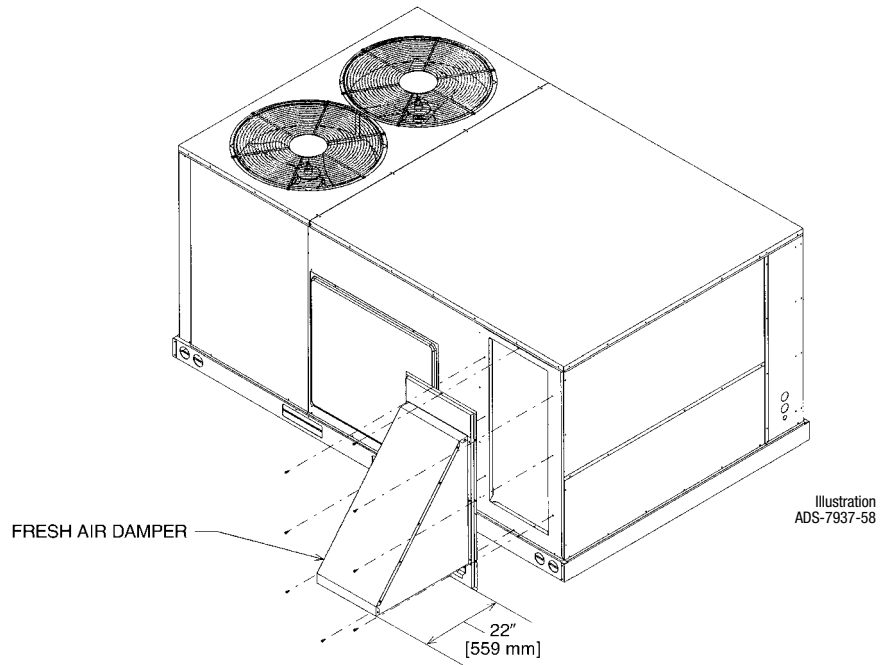
Illustration  
ST-A0886-38



## FRESH AIR DAMPER (Cont.)

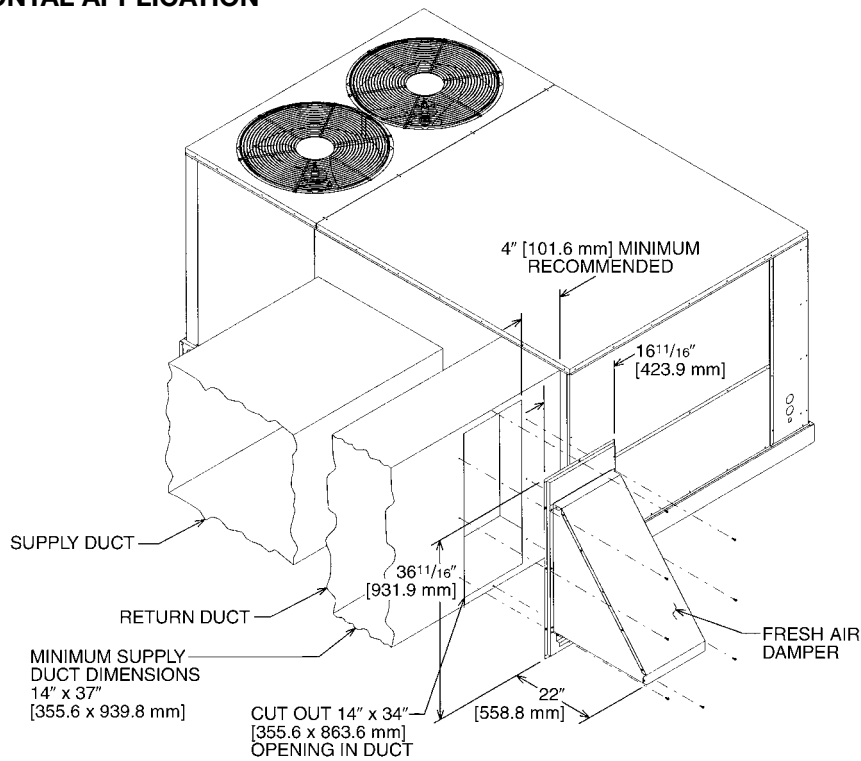
AXRF-JDA1 (Manual)  
AXRF-JDB1 (Motorized)

### DOWNFLOW APPLICATION



### HORIZONTAL APPLICATION

Illustration ST-A0901-01



[ ] Designates Metric Conversions

## ROOFCURBS (Full Perimeter)

- Rheem's roofcurb design can be utilized on all 6-12.5 ton [21.1-44.0 kW] RLNL-B models.
- Two available heights (14" [356 mm] and 24" [610 mm]) for ALL models.
- Quick assembly corners for simple and fast assembly.
- Opening provided in bottom pan to match the "Thru the Curb" electrical connection opening provided on the unit base pan.
- 1" [25 mm] x 4" [102 mm] Nailers provided.
- Insulating panels not required because of insulated outdoor base pan.
- Sealing gasket (40' [12.2 m]) provided with Roofcurb.
- Packaged for easy field assembly.

Roofcurb Model	Height of Curb
RXKG-CAE14	14" [356 mm]
RXKG-CAE24	24" [610 mm]

## ROOFCURB INSTALLATION

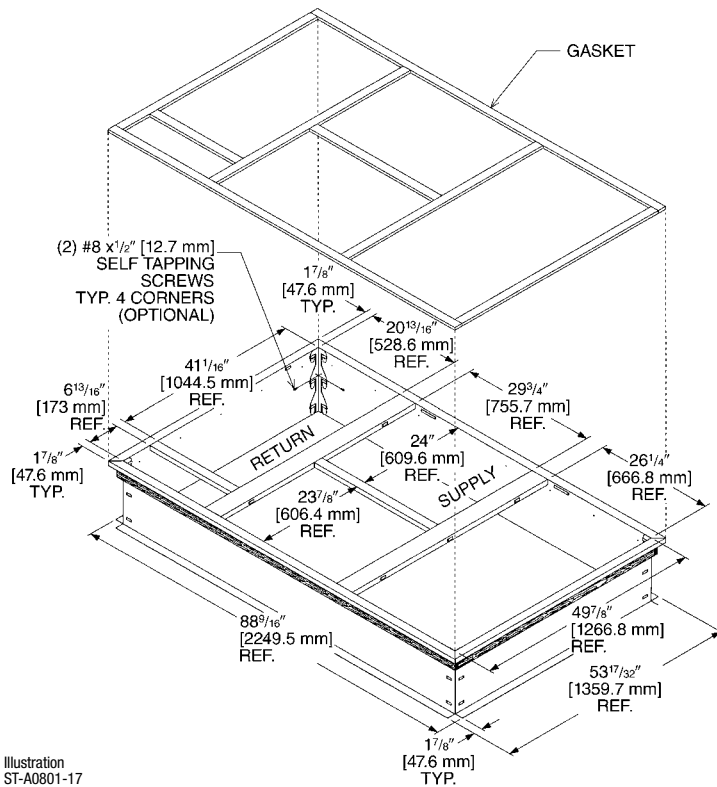
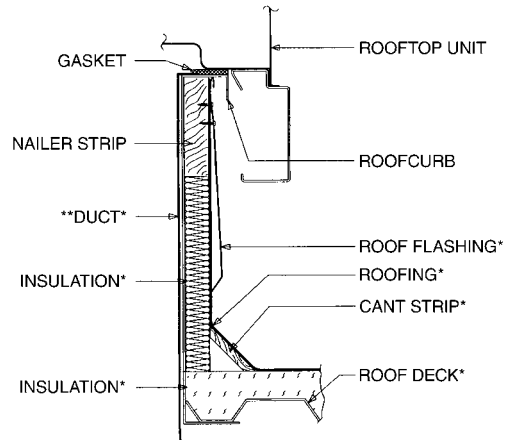
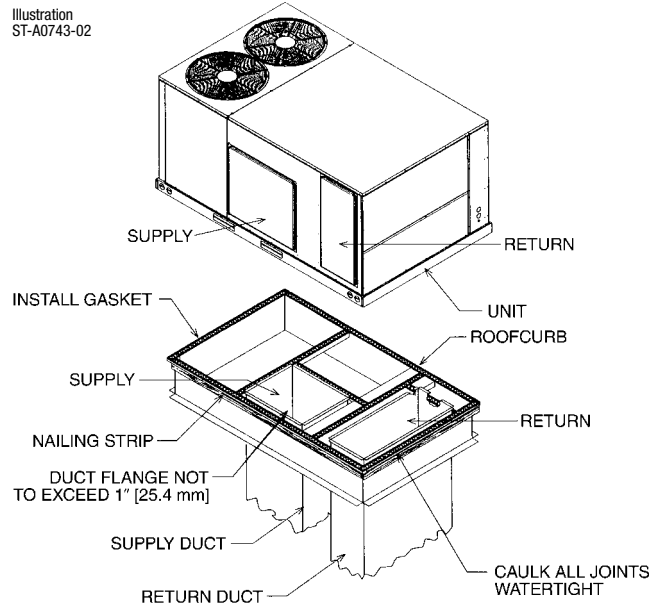


Illustration ST-A0801-17

## TYPICAL INSTALLATION

Illustration ST-A0743-02



\*BY CONTRACTOR  
\*\*FOR INSTALLATION OF DUCT AS SHOWN, USE RECOMMENDED DUCT SIZES FROM ROOFCURB INSTALLATION INSTRUCTIONS. FOR DUCT FLANGE ATTACHMENT TO UNIT, SEE UNIT INSTALLATION INSTRUCTIONS FOR RECOMMENDED DUCT SIZES.

Illustration ST-A0743-02

[ ] Designates Metric Conversions

## ROOFCURB ADAPTERS

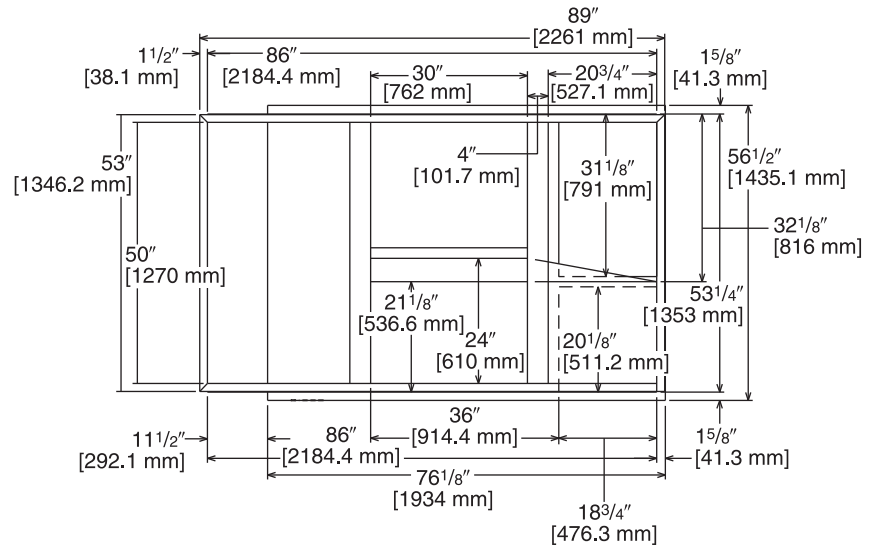
OLD MODELS	OLD ROOFCURB	ROOFCURB ADAPTER	NEW MODELS (All Share Common Cabinet)
(-)RCF, (-)REF-075/076 (-)RGF-150075, (-)RGF-131076 (-)RGF-201076	RXRK-E50	RXRX-CDCE50	(R)LNL-B073 (R)LNL-B090 (R)LNL-B102 (R)LNL-B120 (R)LNL-B151
(-)RGF-200075 (-)RGG, (-)REG, (-)RCG-075 (-)RGF, (-)REF, (-)RCF-085 (-)RGF, (-)REF, (-)RCF-100 (-)RGG, (-)REG, (-)RCG-100	RXRK-E54	RXRX-CFCE54	
(-)RGF, (-)REF, (-)RCF-125	RXRK-E56	RXRX-CFCE56	
(-)PDC-075 (-)PDC-100/101	RXPK-C12	RXRX-CGCC12	

NOTE: Ductwork modifications may be necessary if the capacity and/or indoor airflow rate of replacement unit is not equivalent to that of the unit being replaced.  
 RLNL-B073, B090, B102, B120, B151 fit on same roofcurb as the RLKB-A090, A102, A120, A150, A181, RLMB- A090, A102, A120, A150, RLNB- A090, A102, A120

# ROOFCURB ADAPTERS (Cont.)

RXRX-CDCE50

Illustration  
ADS-7952-02  
Sheet 2



TOP VIEW

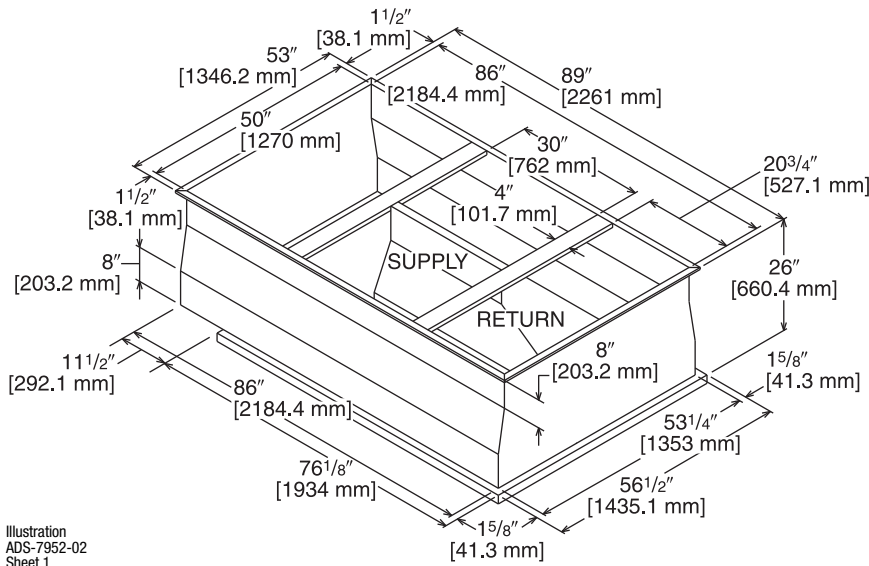


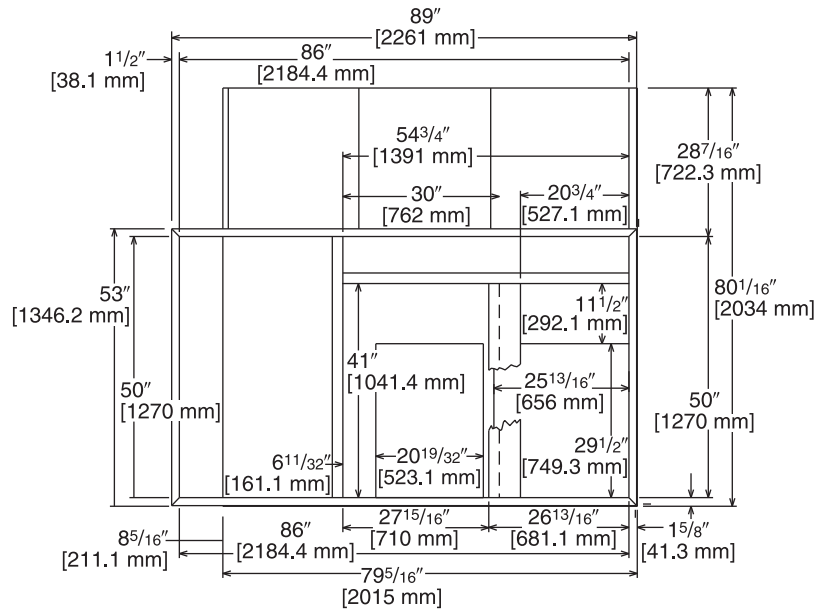
Illustration  
ADS-7952-02  
Sheet 1

[ ] Designates Metric Conversions

# ROOFCURB ADAPTERS (Cont.)

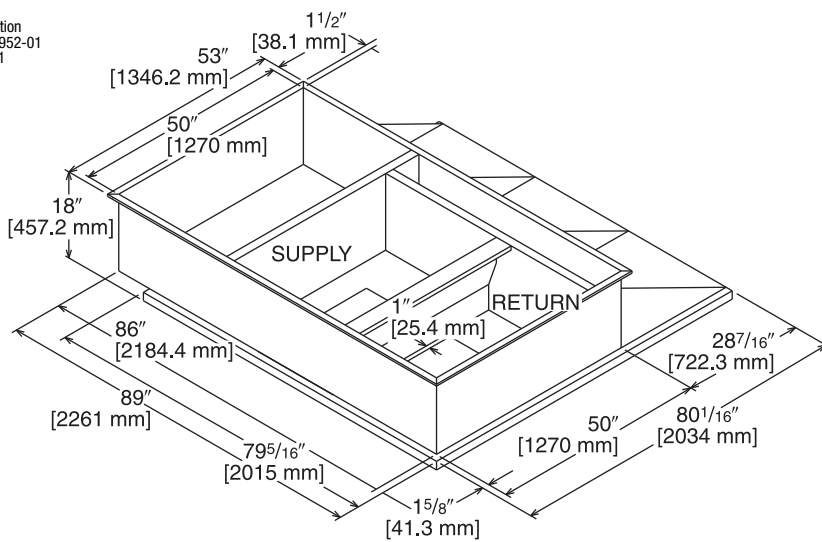
RXRX-CFCE54

Illustration  
ADS-7952-01  
Sheet 2



**TOP VIEW**

Illustration  
ADS-7952-01  
Sheet 1

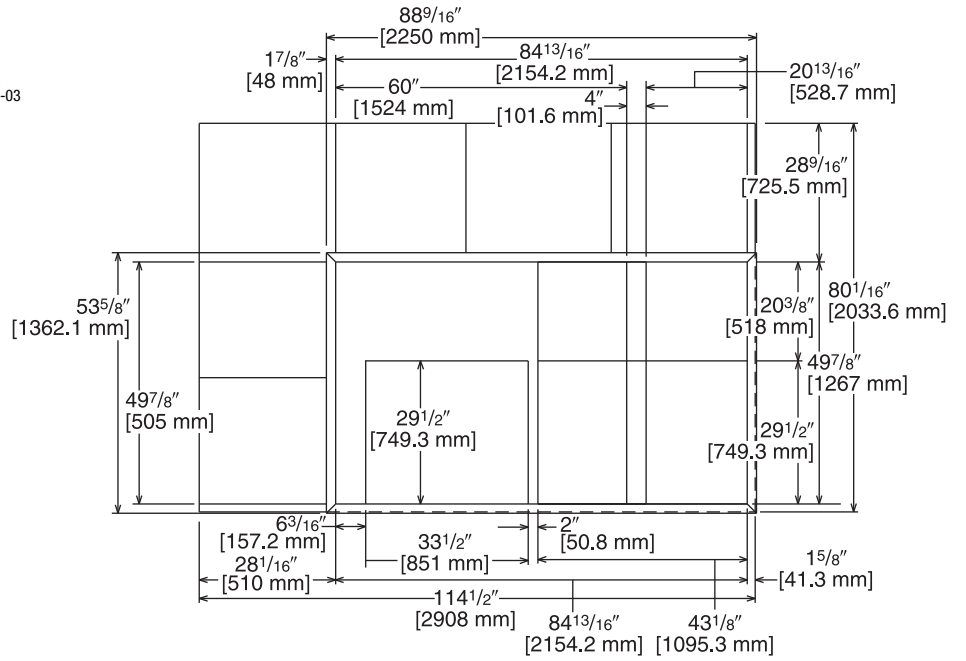


[ ] Designates Metric Conversions

# ROOFCURB ADAPTERS (Cont.)

RXRX-CFCE56

Illustration  
 ADS-7952-03  
 Sheet 2



**TOP VIEW**

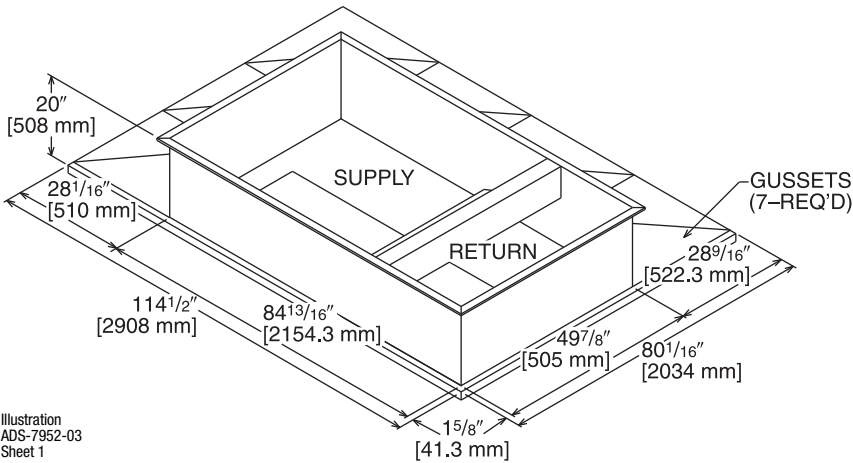


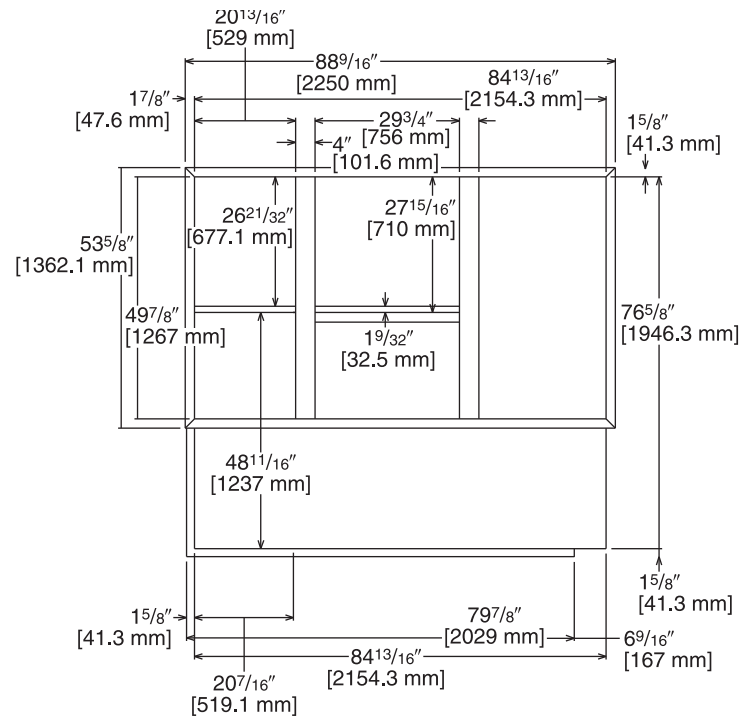
Illustration  
 ADS-7952-03  
 Sheet 1

[ ] Designates Metric Conversions

# ROOFCURB ADAPTERS (Cont.)

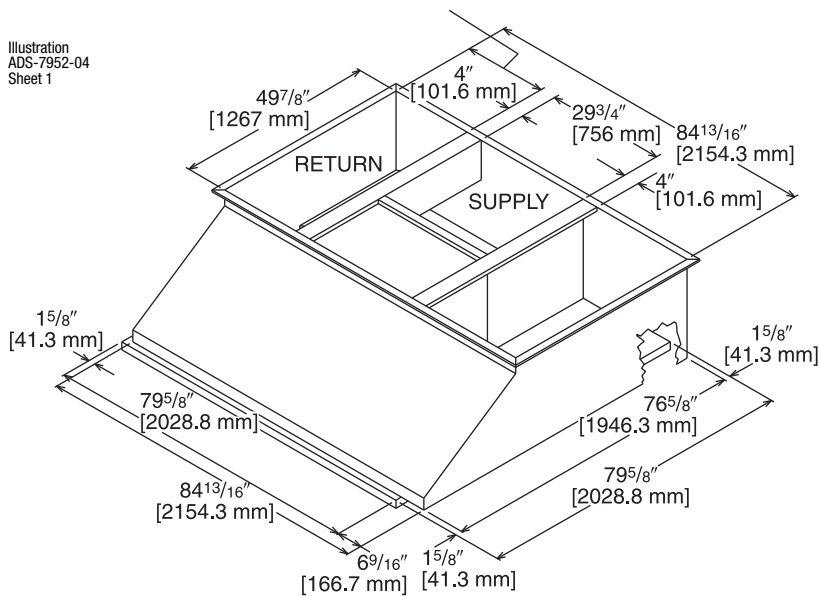
RXRX-CGCC12

Illustration  
ADS-7952-04  
Sheet 2



**TOP VIEW**

Illustration  
ADS-7952-04  
Sheet 1



[ ] Designates Metric Conversions

# CONCENTRIC DIFFUSER APPLICATION

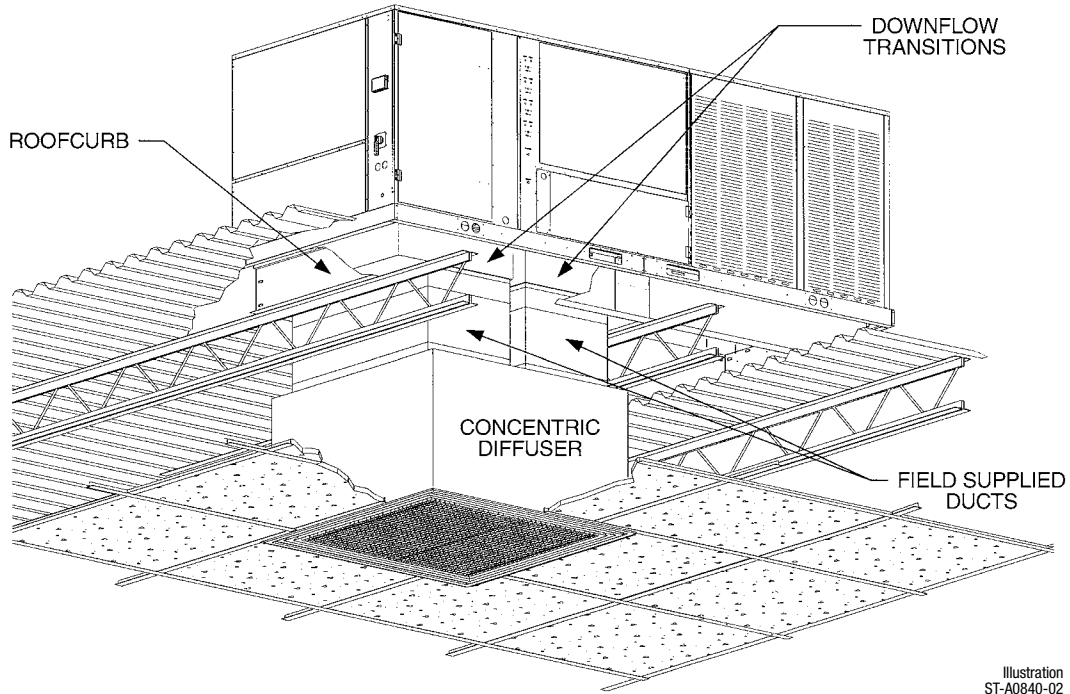


Illustration  
ST-A0840-02

## DOWNFLOW TRANSITION DRAWINGS

### RXMC-CE05

- Used with RXRN-AA61 or RXRN-AA71 Concentric Diffusers.

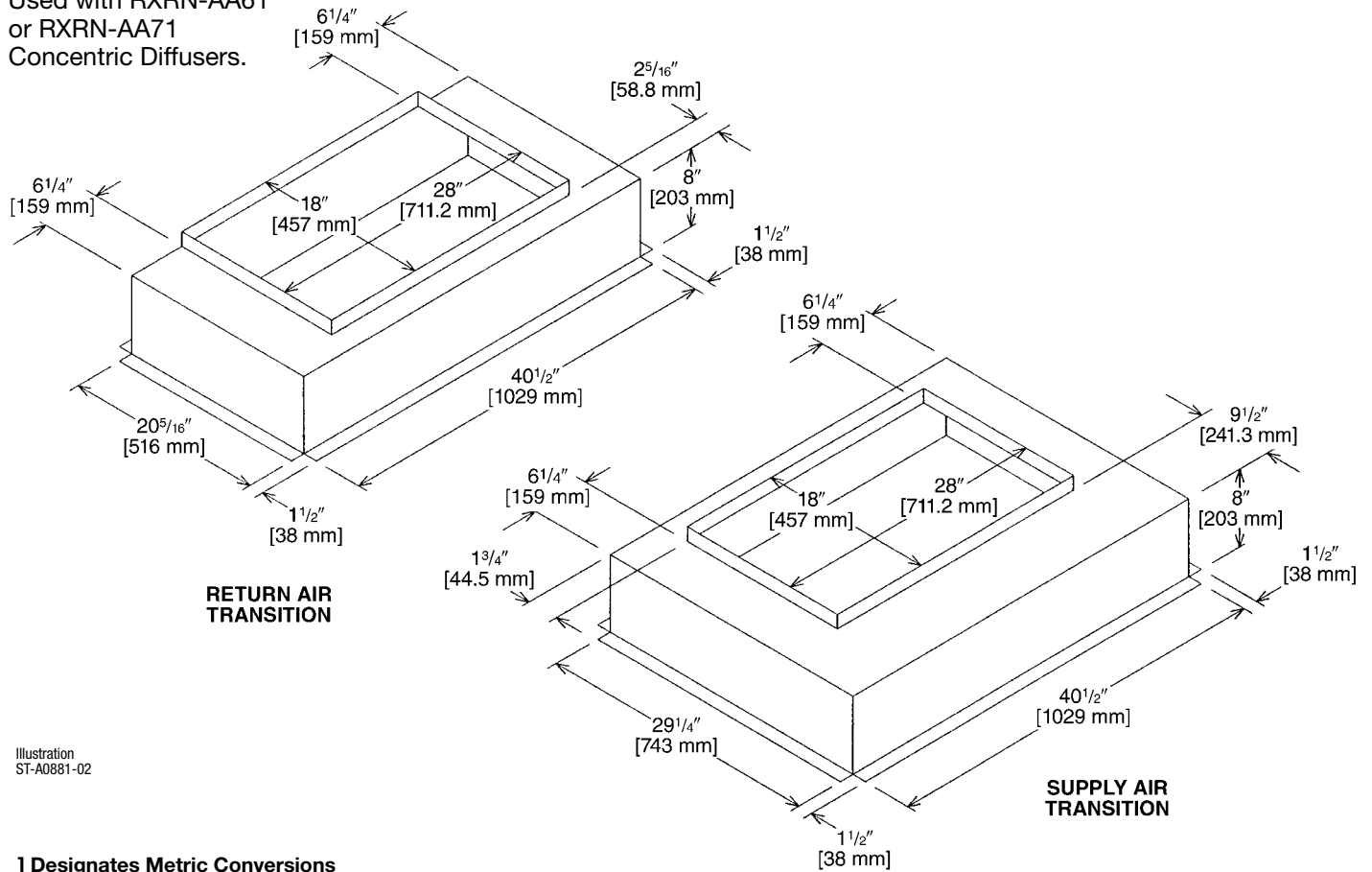


Illustration  
ST-A0881-02

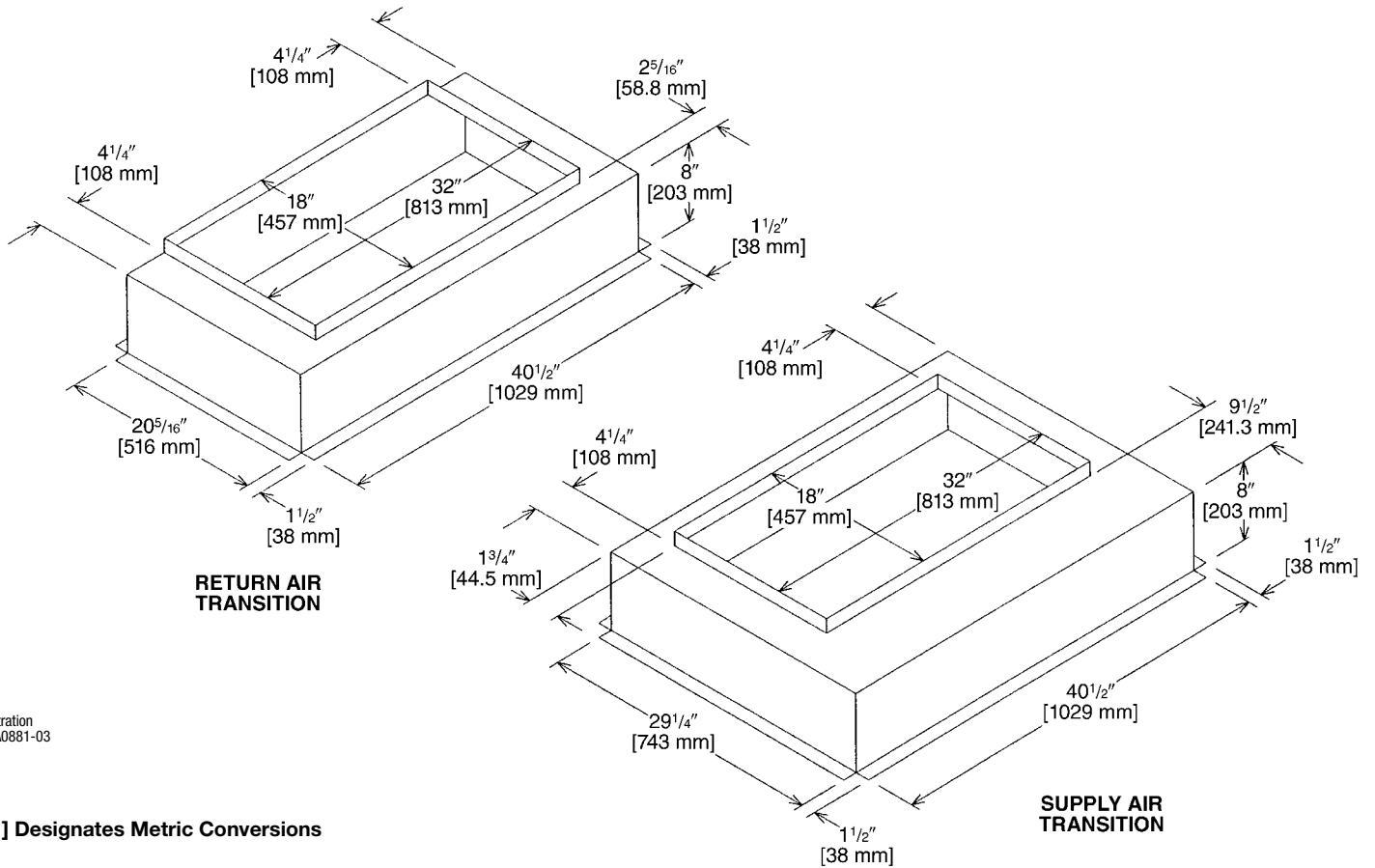
[ ] Designates Metric Conversions



## DOWNFLOW TRANSITION DRAWINGS (Cont.)

### RXMC-CF06

- Used with RXRN-AA66 or RXRN-AA76 Concentric Diffusers.



## DOWNFLOW TRANSITION DRAWINGS (Cont.)

### RXMC-CD04

- Used with RXRN-FA65 or RXRN-FA75 Concentric Diffusers.

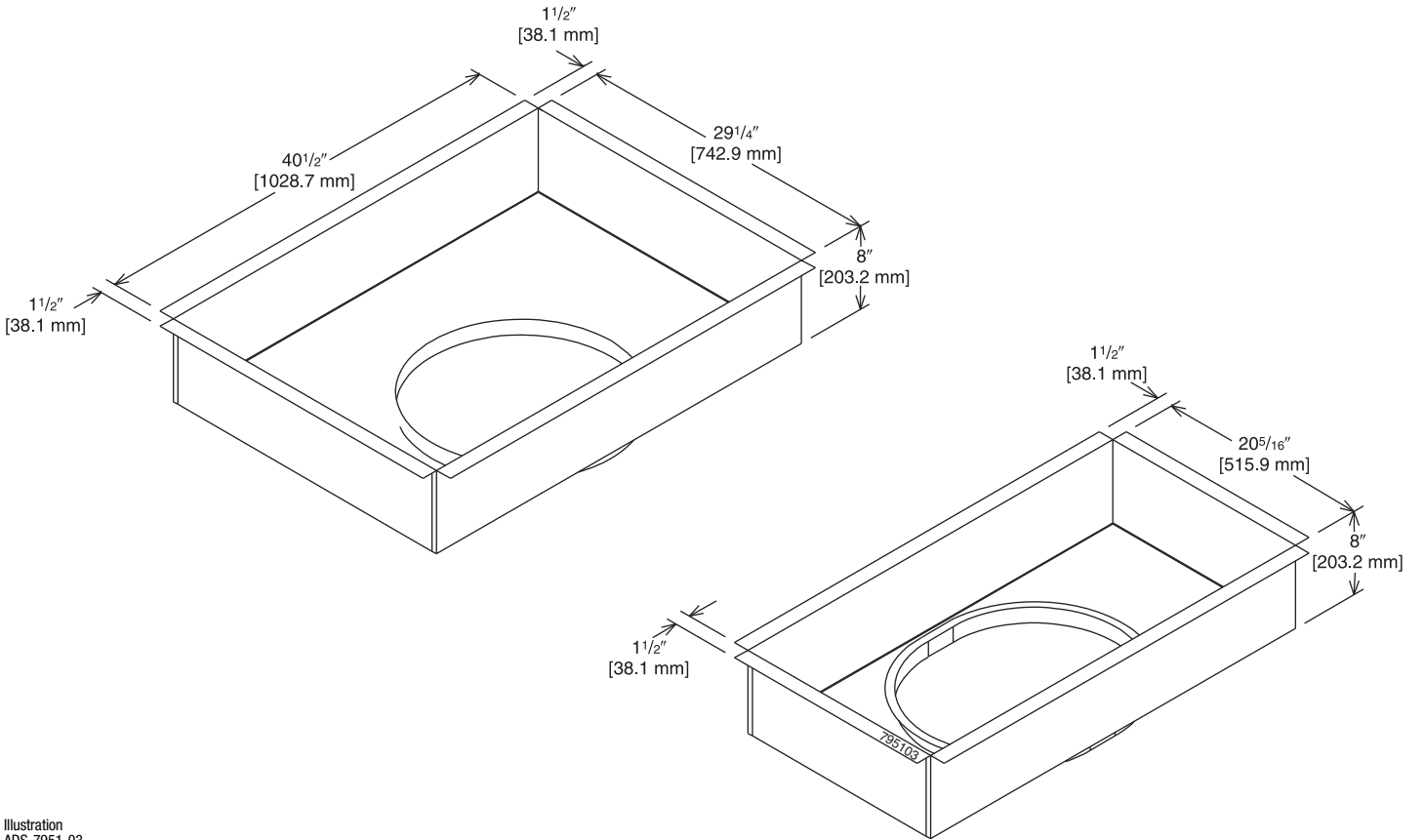


Illustration  
ADS-7951-03

[ ] Designates Metric Conversions

## CONCENTRIC DIFFUSER—STEP DOWN

RXRN-FA65 (7.5 & 8.5 Ton [26.4 & 29.9 kW] Models)

For Use With Downflow Transition (RXMC-CD04)  
and 20" [508 mm] Round Supply and Return Ducts

- All aluminum diffuser with aluminum return air eggcrate.
- Built-in anti-sweat gasket.
- Molded fiberglass supports.
- Built-in hanging supports.
- Diffuser box constructed of sheetmetal insulated with 1" [25.4 mm] 1.5 lbs. [.7 kg] duct liner.

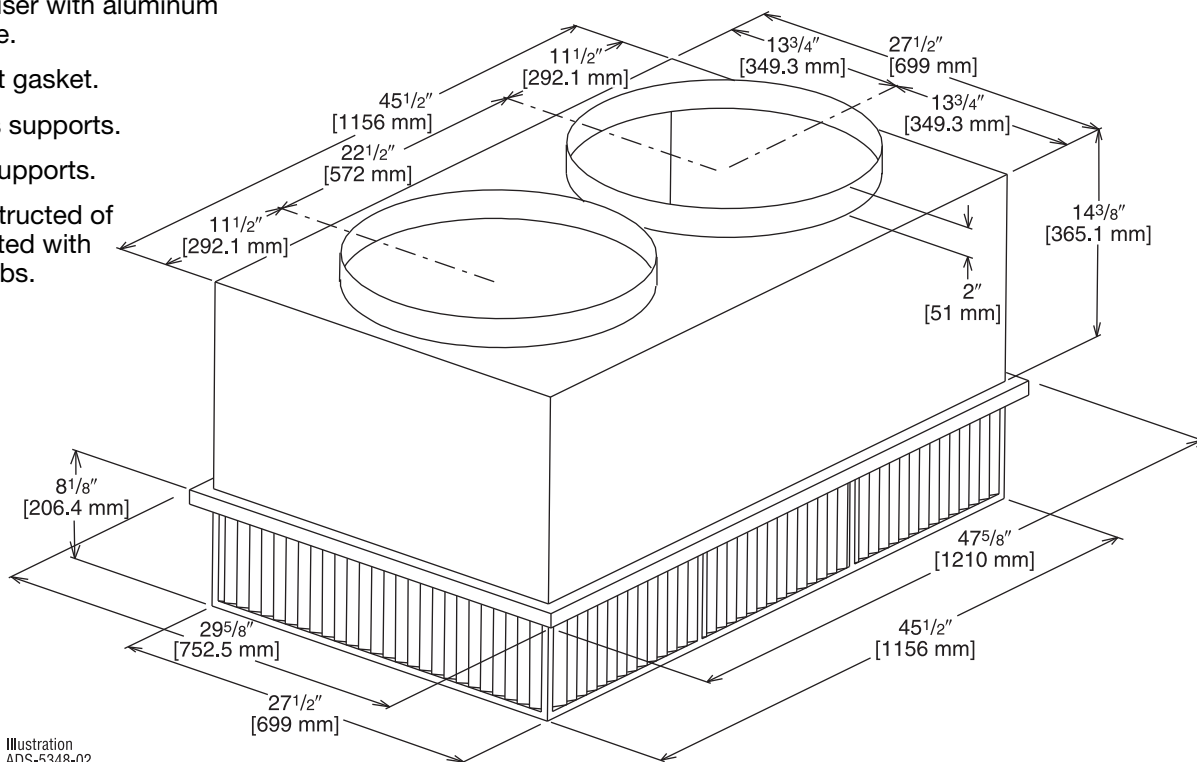


Illustration  
ADS-5348-02

### ENGINEERING DATA<sup>①</sup>

Model No.	Flow Rate CFM [L/s]	Static Pressure in. w.c. [kPa]	Throw <sup>② ③</sup> Feet [m]	Neck Velocity fpm [m/s]	Noise Level <sup>④</sup> (dba)
RXRN-FA65	2600 [1227]	0.17 [0.042]	24-29 [7.3-8.8]	669 [3.4]	20
	2800 [1321]	0.20 [0.050]	25-30 [7.6-9.1]	720 [3.7]	25
	3000 [1416]	0.25 [0.062]	27-33 [8.2-10.1]	772 [3.9]	25
	3200 [1510]	0.31 [0.077]	28-35 [8.5-10.7]	823 [4.2]	25
	3400 [1604]	0.37 [0.092]	30-37 [9.1-11.3]	874 [4.4]	30

NOTES: ① All data is based on the air diffusion council guidelines.

② Throw data is based on 75 FPM Terminal Velocities using isothermal air.

③ Throw is based on diffuser blades being directed in a straight pattern.

④ Actual noise levels may vary due to duct design and do not include transmitted unit noise.

Adequate duct attenuation must be provided to reduce sound output from the unit.

[ ] Designates Metric Conversions

# CONCENTRIC DIFFUSER—STEP DOWN 18" x 28" [457.2 x 711.2 mm]

RXRN-AA61 (8.5 & 10 Ton [29.9 kW & 35.2] Models)

For Use With Downflow Transition (RXMC-CE05)  
and 18" x 28" [457.2 x 711.2 mm]  
Supply and Return Ducts

- All aluminum diffuser with aluminum return air eggcrate.
- Built-in anti-sweat gasket.
- Molded fiberglass supports.
- Built-in hanging supports.
- Diffuser box constructed of sheetmetal insulated with 1" [25.4 mm] 1.5 lbs. [.7 kg] duct liner.
- Double deflection diffuser with the blades secured by spring steel.

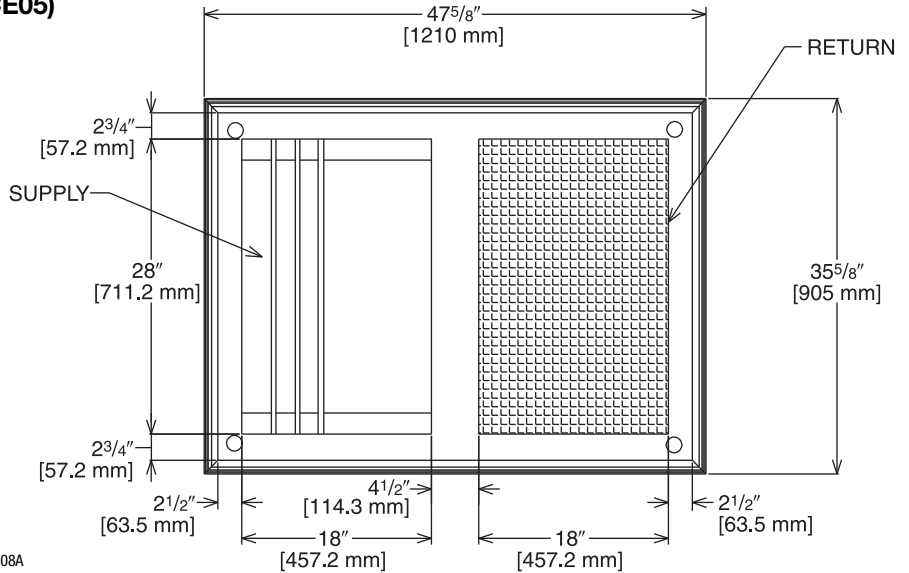


Illustration  
ADS-7951-08A

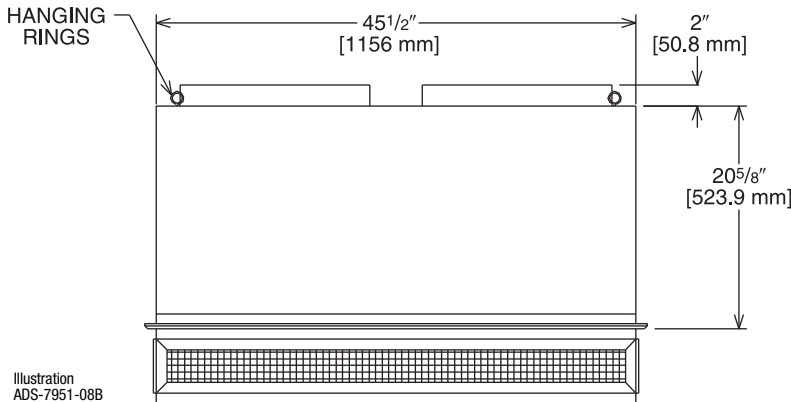


Illustration  
ADS-7951-08B

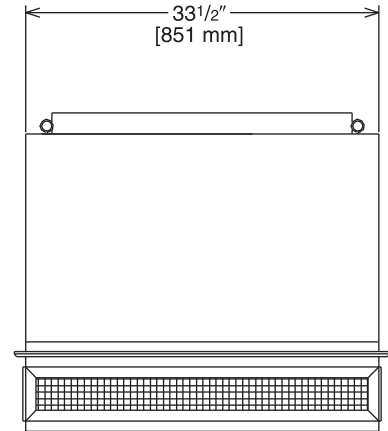


Illustration  
ADS-7951-08C

## ENGINEERING DATA<sup>①</sup>

Model No.	Flow Rate CFM [L/s]	Static Pressure in w.c. [kPa]	Throw <sup>②③</sup> Feet [m]	Neck Velocity fpm [m/s]	Noise Level <sup>④</sup> (dbA)
RXRN-AA61	3600 [1699]	0.17 [0.042]	25-33 [7.6-10.1]	851 [4.3]	30
	3800 [1793]	0.18 [0.045]	27-35 [8.2-10.7]	898 [4.6]	30
	4000 [1888]	0.21 [0.052]	29-37 [8.8-11.3]	946 [4.8]	30
	4200 [1982]	0.24 [0.060]	32-40 [9.8-12.2]	993 [5.0]	30
	4400 [2076]	0.27 [0.067]	34-42 [10.4-12.8]	1040 [5.3]	30

- NOTES: ① All data is based on the air diffusion council guidelines.  
② Throw data is based on 75 FPM Terminal Velocities using isothermal air.  
③ Throw is based on diffuser blades being directed in a straight pattern.  
④ Actual noise levels may vary due to duct design and do not include transmitted unit noise. Adequate duct attenuation must be provided to reduce sound output from the unit.

[ ] Designates Metric Conversions

# CONCENTRIC DIFFUSER—STEP DOWN 18" x 32" [457.2 x 813 mm]

RXRN-AA66 (12.5 & 15 Ton [44.0 & 52.8 kW] Models)

For Use With Downflow Transition (RXMC-CF06)  
and 18" x 32" [457.2 x 813 mm]  
Supply and Return Ducts

- All aluminum diffuser with aluminum return air eggcrate.
- Built-in anti-sweat gasket.
- Molded fiberglass supports.
- Built-in hanging supports.
- Diffuser box constructed of sheetmetal insulated with 1" [25.4 mm] 1.5 lbs. [.7 kg] duct liner.
- Double deflection diffuser with the blades secured by spring steel.

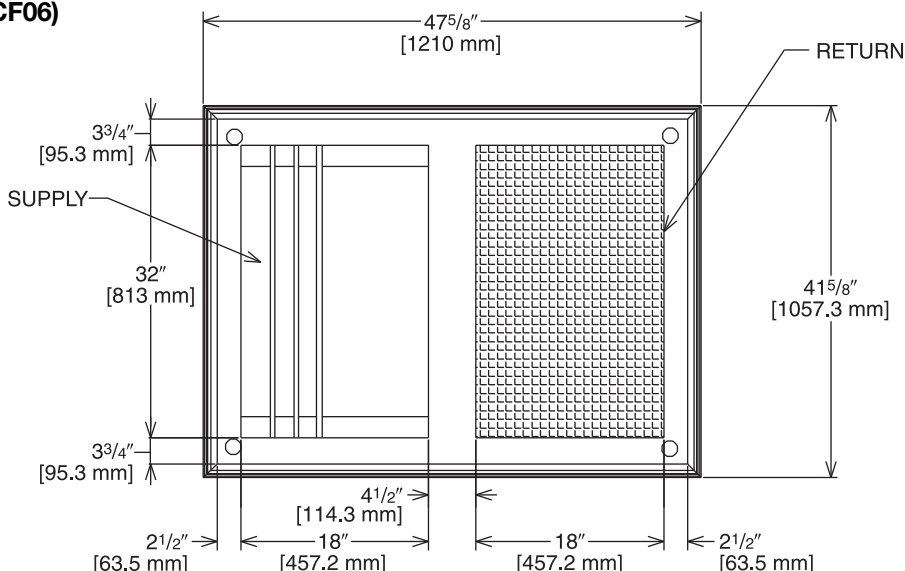


Illustration  
ADS-7951-09A

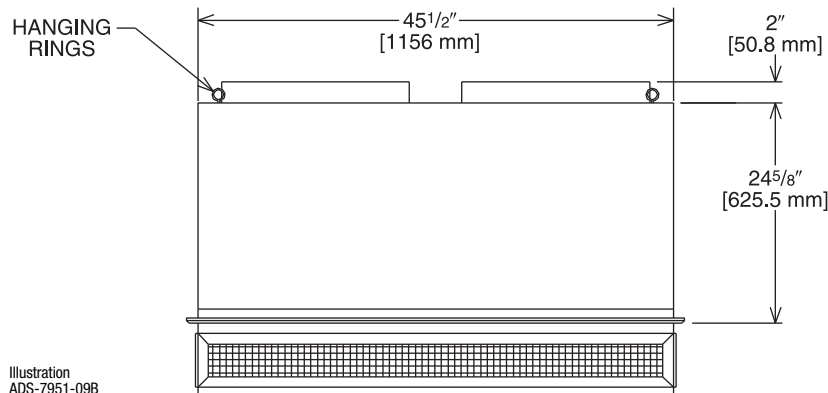


Illustration  
ADS-7951-09B

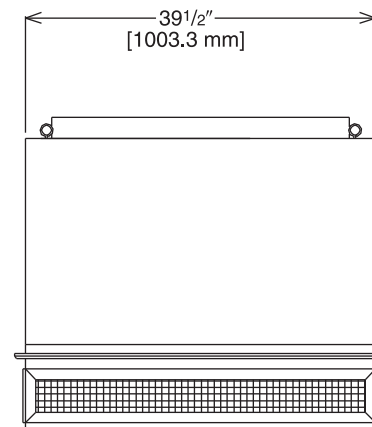


Illustration  
ADS-7951-09C

## ENGINEERING DATA<sup>①</sup>

Model No.	Flow Rate CFM [L/s]	Static Pressure in w.c. [kPa]	Throw <sup>② ③</sup> Feet [m]	Neck Velocity fpm [m/s]	Noise Level <sup>④</sup> (dbA)
RXRN-AA66	4600 [2171]	0.31 [0.077]	26-31 [7.9-9.4]	841 [4.3]	30
	4800 [2265]	0.32 [0.080]	27-32 [8.2-9.8]	878 [4.5]	30
	5000 [2359]	0.34 [0.085]	28-33 [8.5-10.1]	915 [4.6]	30
	5200 [2454]	0.36 [0.090]	28-34 [8.5-10.4]	951 [4.8]	30
	5400 [2548]	0.39 [0.097]	29-35 [8.8-10.7]	988 [6.0]	30

- NOTES: ① All data is based on the air diffusion council guidelines.  
 ② Throw data is based on 75 FPM Terminal Velocities using isothermal air.  
 ③ Throw is based on diffuser blades being directed in a straight pattern.  
 ④ Actual noise levels may vary due to duct design and do not include transmitted unit noise. Adequate duct attenuation must be provided to reduce sound output from the unit.

[ ] Designates Metric Conversions

# FLUSH MOUNT CONCENTRIC DIFFUSER—FLUSH

RXRN-FA75 (7.5 & 8.5 Ton [26.4 & 29.9 kW] Models)

For Use With Downflow Transition (RXMC-CD04) and 20" [508 mm] Round Supply and Return Ducts

- All aluminum diffuser with aluminum return air eggcrate.
- Built-in anti-sweat gasket.
- Molded fiberglass supports.
- Built-in hanging supports.
- Diffuser box constructed of sheetmetal insulated with 1" [25.4 mm] 1.5 lbs. [.7 kg] duct liner.

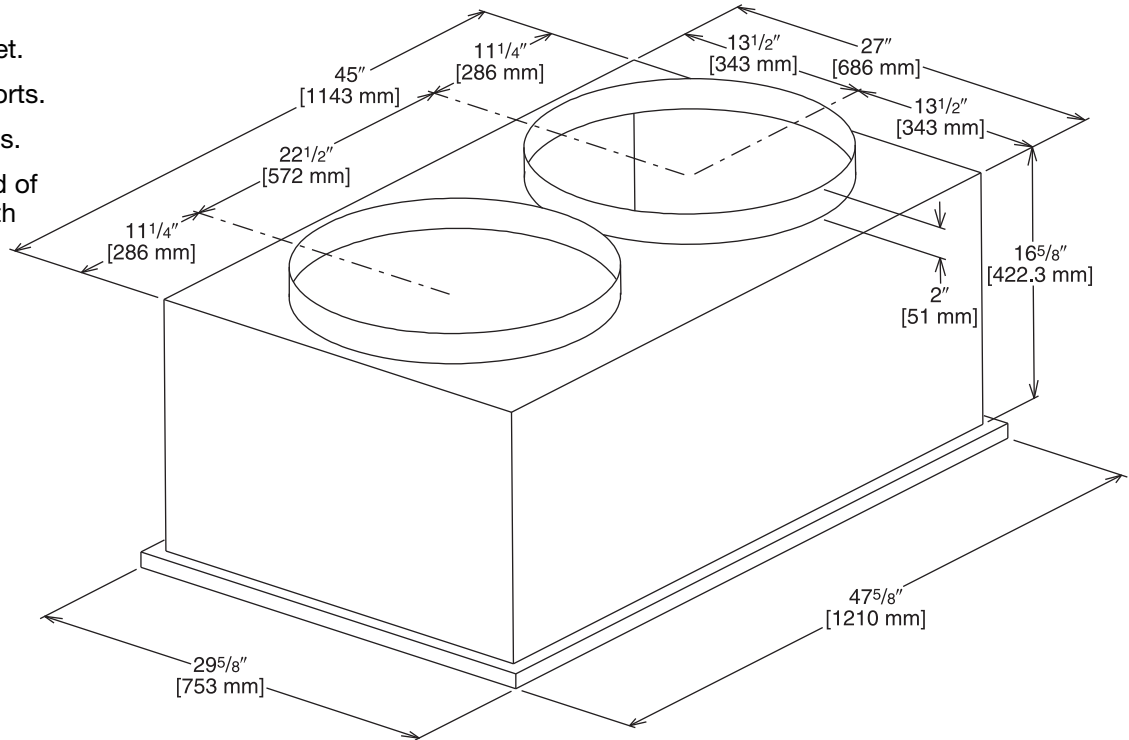


Illustration  
ADS-5348-04

## ENGINEERING DATA<sup>①</sup>

Model No.	Flow Rate CFM [L/s]	Static Pressure in. w.c. [kPa]	Throw <sup>② ③</sup> Feet [m]	Neck Velocity fpm [m/s]	Noise Level <sup>④</sup> (dbA)
RXRN-FA75	2600 [1227]	.17 [0.042]	19-24 [5.8-7.3]	663 [3.4]	30
	2800 [1321]	.20 [0.050]	20-28 [6.1-8.5]	714 [3.6]	35
	3000 [1416]	.25 [0.062]	21-29 [6.4-8.8]	765 [3.9]	35
	3200 [1510]	.31 [0.077]	22-29 [6.7-8.8]	816 [4.1]	40
	3400 [1604]	.37 [0.092]	22-30 [6.7-9.1]	867 [4.4]	40

- NOTES: ① All data is based on the air diffusion council guidelines.  
 ② Throw data is based on 75 FPM Terminal Velocities using isothermal air.  
 ③ Throw is based on diffuser blades being directed in a straight pattern.  
 ④ Actual noise levels may vary due to duct design and do not include transmitted unit noise.  
 Adequate duct attenuation must be provided to reduce sound output from the unit.

[ ] Designates Metric Conversions

# CONCENTRIC DIFFUSER—FLUSH and 18" x 28" [457.2 x 711.2 mm]

RXRN-AA71 (8.5 & 10 Ton [29.9 & 35.2] Models)

For Use With Downflow Transition (RXMC-CE05)  
and 18" x 28" [457.2 x 711.2 mm]  
Supply and Return Ducts

- All aluminum diffuser with aluminum return air eggcrate.
- Built-in anti-sweat gasket.
- Molded fiberglass supports.
- Built-in hanging supports.
- Diffuser box constructed of sheetmetal insulated with 1" [25.4 mm] 1.5 lbs. [.7 kg] duct liner.

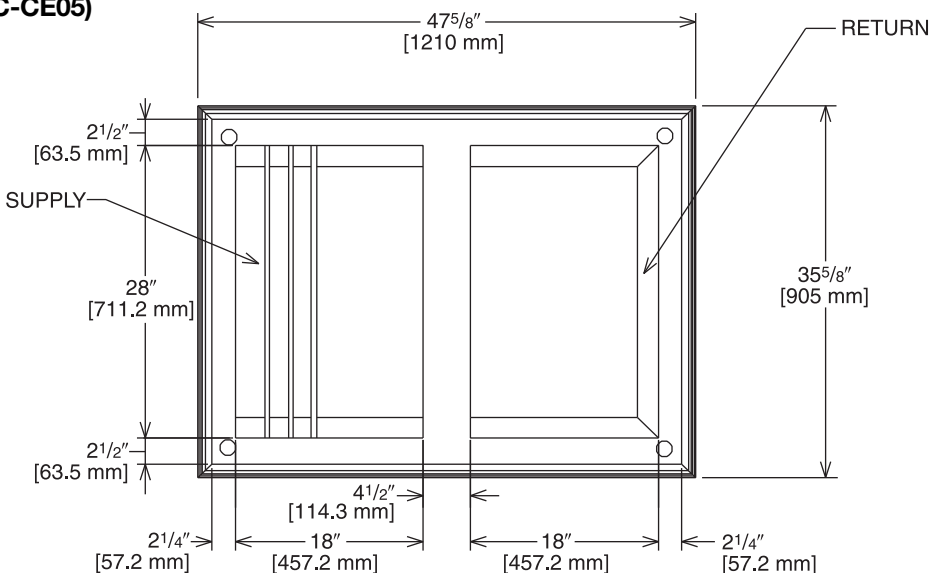


Illustration  
ADS-7951-06A

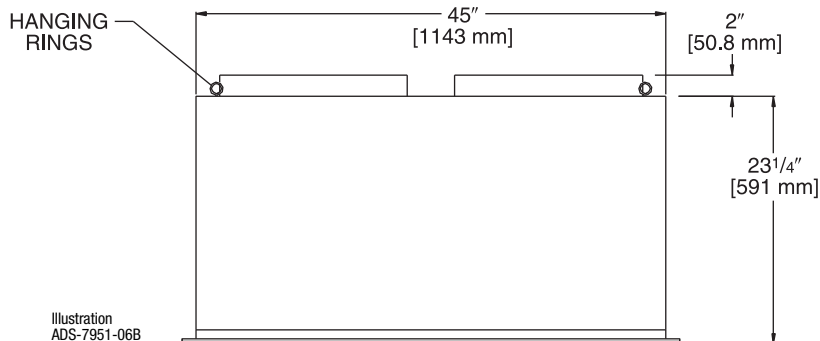


Illustration  
ADS-7951-06B

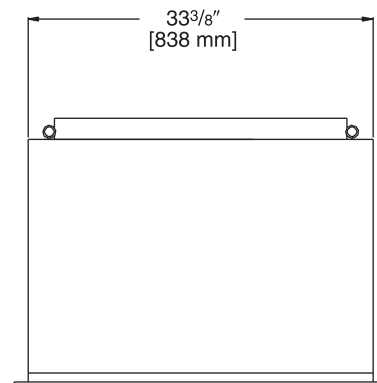


Illustration  
ADS-7951-06C

## ENGINEERING DATA<sup>①</sup>

Model No.	Flow Rate CFM [L/s]	Static Pressure in w.c. [kPa]	Throw <sup>② ③</sup> Feet [m]	Neck Velocity fpm [m/s]	Noise Level <sup>④</sup> (dba)
RXRN-AA71	3600 [1699]	0.17 [0.042]	22-29 [6.7-8.8]	844 [4.3]	35
	3800 [1793]	0.18 [0.045]	22-30 [6.7-9.1]	891 [4.5]	40
	4000 [1888]	0.21 [0.052]	24-33 [7.3-10.1]	938 [4.8]	40
	4200 [1982]	0.24 [0.060]	26-35 [7.9-10.7]	985 [5.0]	40
	4400 [2076]	0.27 [0.067]	28-37 [8.5-11.3]	1032 [5.2]	40

NOTES: ① All data is based on the air diffusion council guidelines.

② Throw data is based on 75 FPM Terminal Velocities using isothermal air.

③ Throw is based on diffuser blades being directed in a straight pattern.

④ Actual noise levels may vary due to duct design and do not include transmitted unit noise.  
Adequate duct attenuation must be provided to reduce sound output from the unit.

[ ] Designates Metric Conversions

# CONCENTRIC DIFFUSER—FLUSH

## 18" x 32" [457.2 x 813 mm]

RXRN-AA76 (12.5 & 15 Ton [44.0 & 52.8 kW] Models)

For Use With Downflow Transition (RXMC-CF06)  
and 18" x 32" [457.2 x 813 mm]  
Supply and Return Ducts

- All aluminum diffuser with aluminum return air eggcrate.
- Built-in anti-sweat gasket.
- Molded fiberglass supports.
- Built-in hanging supports.
- Diffuser box constructed of sheetmetal insulated with 1" [25.4 mm] 1.5 lbs. [.7 kg] duct liner.

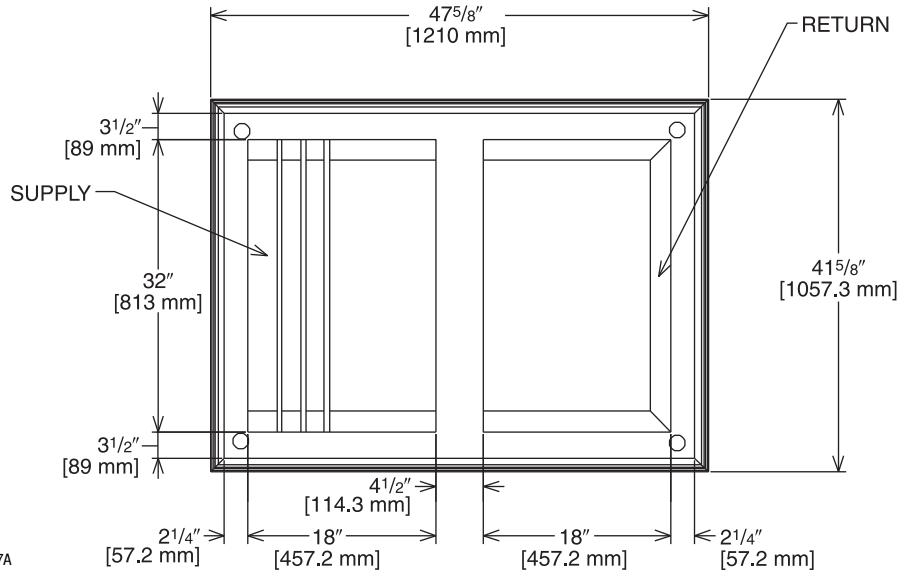


Illustration  
ADS-7951-07A

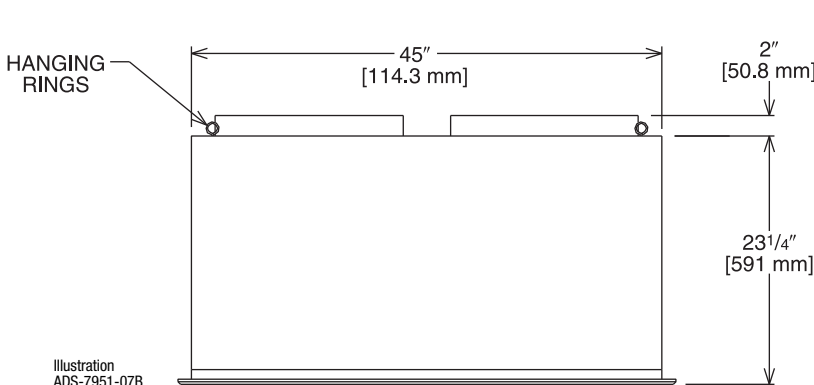


Illustration  
ADS-7951-07B

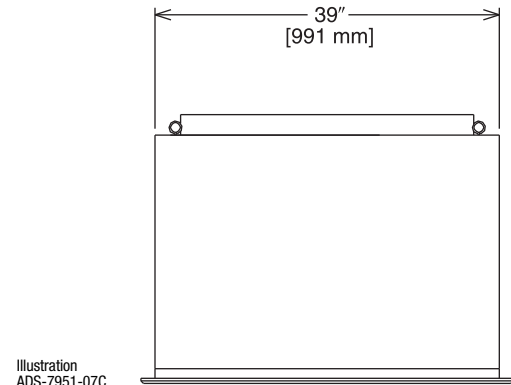


Illustration  
ADS-7951-07C

## ENGINEERING DATA<sup>①</sup>

Model No.	Flow Rate CFM [L/s]	Static Pressure in w.c. [kPa]	Throw <sup>② ③</sup> Feet [m]	Neck Velocity fpm [m/s]	Noise Level <sup>④</sup> (dba)
RXRN-AA76	4600 [2171]	0.31 [0.077]	25-34 [7.6-10.4]	922 [4.7]	40
	4800 [2265]	0.32 [0.080]	26-35 [7.9-10.7]	962 [4.9]	40
	5000 [2359]	0.34 [0.085]	27-36 [8.2-11.0]	1002 [5.1]	40
	5200 [2454]	0.36 [0.090]	30-39 [9.1-11.9]	1043 [5.3]	45
	5400 [2548]	0.39 [0.097]	32-41 [9.8-12.5]	1083 [5.5]	45

NOTES: ① All data is based on the air diffusion council guidelines.

② Throw data is based on 75 FPM Terminal Velocities using isothermal air.

③ Throw is based on diffuser blades being directed in a straight pattern.

④ Actual noise levels may vary due to duct design and do not include transmitted unit noise.  
Adequate duct attenuation must be provided to reduce sound output from the unit.

[ ] Designates Metric Conversions



## General

Units shall be convertible airflow. Operating range for units with electromechanical controls shall be between 125°F (51.7°C) and 50°F (4.4°C). Cooling performance shall be rated in accordance with DOE and/or AHRI testing procedures. All units shall be factory assembled, internally wired, fully charged with R-410A, and 100 percent run-tested before leaving the factory. Wiring internal to the unit shall be colored and numbered for simplified identification. Units shall be UL listed and labeled, classified in accordance to UL 1995/CAN/CSA No. 236-M90 for central cooling air conditioners. Canadian units shall be CUL certified.

## Casing

Unit casing shall be constructed of zinc coated, heavy gauge, galvanized steel. Exterior surfaces shall be cleaned, phosphatized, and finished with a weather-resistant baked enamel finish. Unit's surface shall be tested 1000 hours in a salt spray test in compliance with ASTM B117. Cabinet construction shall allow for all maintenance on one side of the unit. All exposed vertical panels and top covers in the indoor air section shall be insulated with a cleanable foil faced, fire retardant permanent, odorless glass fiber material and secured with adhesive and mechanical fasteners. The base of the unit shall be insulated with foil-faced material. All insulation edges shall be either captured or sealed. The unit's base pan shall have no penetrations within the perimeter of the curb other than the raised 1-1/8" [28.58 mm] high downflow supply return openings to provide an added water integrity precaution. The base rails of the unit shall have provisions for forklift and crane lifting, with forklift capabilities on three sides of the unit.

## Unit Top

The indoor top cover shall be one-piece construction, it shall not be double-hemmed and gasket-sealed.

## Filters

Two inch [50.8 mm], throwaway filters shall be standard on all units.

## Compressors

Units shall have direct-drive, hermetic, scroll type compressors with centrifugal type oil pumps. Motor shall be suction gas-cooled and shall have a voltage utilization range of plus or minus 10 percent of unit nameplate voltage. Internal overloads shall be provided with the scroll compressors. The compressor shall have external isolation to minimize noise.

## Refrigerant Circuits

Each refrigerant circuit shall have TXV (except 073) small orifice refrigerant control expansion device. Service pressure ports, shall be factory-installed as standard.

## Evaporator And Condenser Coils

Internally finned, 3/8" [9.53 mm] copper tubes mechanically bonded to a configured aluminum plate fin shall be standard. Coils shall be leak tested at the factory to ensure pressure integrity. The evaporator coil and condenser coil shall be leak tested to 200 psig and pressure tested to 450 psig. A sloped condensate drain pan shall be standard and shall be removable.

## Outdoor Fans

The outdoor fans shall be direct-drive statically and dynamically balanced, draw-through in the vertical discharge position. The fan motor shall be permanently lubricated and shall have built-in thermal overload protection.

## Indoor Fans

All 3-phase units offer belt drive, FC centrifugal fans with adjustable motor sheaves. All motors shall be thermally protected. All indoor fan motors meet the U.S. Energy Policy Act of 1992 (EPACT).

## Controls

Unit shall be completely factory wired with necessary controls and contactor pressure lugs or terminal block for power wiring. Units shall provide an external location for mounting a fused disconnect device.

24-volt electromechanical control circuit shall include control transformer and contactor pressure lugs for power wiring. Unit shall have single point power entry as standard.

## Accessories/Option

**Roof Curb**—The roof curb shall be designed to mate with the unit's downflow supply and return openings and provide support and a watertight installation when installed properly. The roof curb design shall allow field-fabricated rectangular supply/return ductwork to be connected directly to the curb. Curb design shall comply with NRCA requirements. Curbs shall be shipped knocked down for tool-less field assembly and shall include wood nailer strips.

**Economizer**—This accessory shall be either field or factory-installed and is available with barometric relief standard. The assembly includes direct drive gear driver, fully modulating 0-100 percent motor and dampers, minimum position setting, mixed air sensor, wiring harness with plug, and single enthalpy control. Optional differential enthalpy control shall be field-installed. The factory-installed economizer arrives ready for operation.

**Remote Potentiometer**—Field installed, the minimum position setting of economizer shall be adjusted with this accessory.

## Motorized Outside Air Dampers

Field-installed manually set outdoor air dampers shall provide up to 50 percent outside air. Once set, outdoor air dampers shall open to set position when indoor fan starts. The damper shall close to the full closed position when indoor fan shuts down.

**Manual Outside Air Damper**—Factory or field-installed rain hood and screen shall provide up to 50 percent outside air.

**Oversized Motors**—Factory installed belt drive oversized motors shall be available for high static applications.

**Powered Exhaust**—The field installed powered exhaust, available for all units, shall provide exhaust of return air, when using an economizer, to maintain better building pressurization.

**Through the Base Electrical Access**—An electrical service entrance shall be factory provided allowing electrical access for both control and main power connection inside the curb and through the base of the unit. Option will allow for field installation of liquid-tight conduit and an external field-installed disconnect switch.

**Through the Base Electrical with Disconnect Switch**—Factory-installed 3-pole, molded case disconnect switch with provisions for through the base electrical connections are available. The disconnect switch will be installed in the unit in a watertight enclosure with access through a hinged door. Factory wiring will be provided from the switch to the unit high voltage terminal block. The switch will be UL/CSA agency recognized. Note: The disconnect switch will be sized per NEC and UL guidelines but will not be used in place of unit over current protection.

**Freeze/Clogged Filter Switches**—This factory or field-installed option allows for individual fan failure or dirty filter protection. If indoor coil gets too cold due to low airflow, compressor operation will be temporarily interrupted.

**Enthalpy Control**—Single Enthalpy Control shall be standard for all economizers. Enthalpy control offers a higher level of comfort control, along with energy savings potential, than the standard dry bulb control. This is due to the additional wet bulb sensing capability.

**High Pressure Cutout**—High pressure cutout shall be standard on all models and 1/4 turn fasteners. All scroll compressors shall include Internal Pressure Relief as standard.

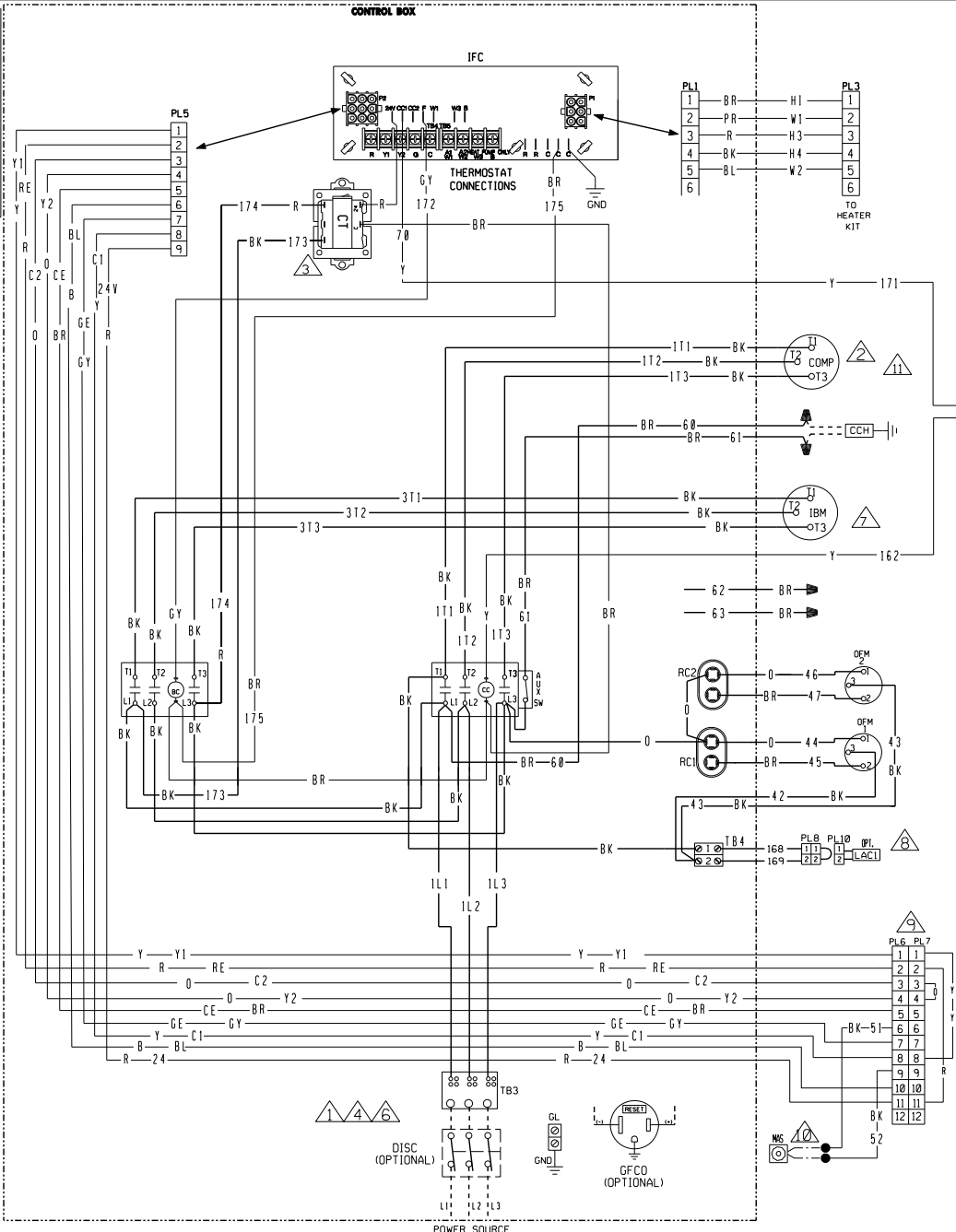
**Hinged Access Doors**—Stainless steel metal hinges and 1/4 turn fasteners are standard on the Filter/Electrical Access Door, Heat Exchanger door and blower doors.

**Thermostats**—Two stage heating and cooling operation shall be available, for field installation, in either manual or automatic changeover. Automatic programmable electronic with night set back shall also be available.

**Differential Enthalpy**—Adds on to the standard single control with other enthalpy sensors that compare total heat content of the indoor air and outdoor air to determine the most efficient air source. This control option offers the highest level of comfort control, plus energy efficiency available.

**Low Ambient Cooling**—Electromechanical models have cooling capabilities to 40°F as built, or to 0°F by adding the optional low ambient (froststat) control.

FLASHES	DIAGNOSIS
1	FAILED TO DETECT OR SUSTAIN FLAME
2	PRESSURE SWITCH OR INDUCER PROBLEM DETECTED
3	HIGH LIMIT SWITCH PROTECTION DEVICE OPEN
4	FLAME SENSED GAS VALVE NOT ENERGIZED OR FLAME SENSED NO "W" SIGNAL
5	FLAME ROLL OUT SWITCH OPEN



- NOTES.**
- 1. CONNECTORS SUITABLE FOR USE WITH COPPER CONDUCTORS ONLY.
  - 2. COMPRESSOR MOTOR THERMALLY PROTECTED. ALL 3 PHASE MODELS ARE PROTECTED UNDER PRIMARY SINGLE PHASE CONDITIONS.
  - 3. TRANSFORMER FACTORY WIRED FOR 230 VOLTS.
  - 4. CONNECT FIELD WIRE TO FACTORY SUPPLIED POWER BLOCK IN ELECTRICAL BOX.
  - 5. LOW VOLTAGE CIRCUIT IS N.E.C CLASS 2 WITH A CLASS 2 TRANSFORMER, 24V, 50/60 HZ SUPPLIED.
  - 6. CONNECT FIELD WIRING IN GROUND RAIN TIGHT CONDUIT TO FUSED DISCONNECT.
  - 7. MOTOR FACTORY WIRED FOR CORRECT VOLTAGE.
  - 8. REMOVE PL10 & PL11 FOR LOW AMBIENT ACCESSORY. PL10 & PL11, LOCATED IN BLOWER COMPARTMENT.
  - 9. REMOVE PL7 FOR ECONOMIZER ACCESSORY. PL 6 & PL7 LOCATED IN RETURN AIR SECTION.
  - 10. MAS ACCESSORY PROVIDED WITH ECONOMIZER. CONNECTION LOCATED IN BLOWER COMPARTMENT.
  - 11. WIRE SUPPLIED FOR ADDITION OF CRANKCASE HEATER ACCESSORY.
  - 12. OPTIONAL FT LOCATED IN COMPRESSOR COMPARTMENT.

**COMPONENT CODE**

AUX SW	AUXILIARY SWITCH	LAC	LOW AMBIENT COOLING CONTROL
BC	BLOWER CONTACTOR	LC	LIMIT CONTROL
CC	COMPRESSOR CONTACTOR	LPC	LOW PRESSURE CONTROL
CCH	CRANKCASE HEATER	MAS	MIX AIR SENSOR
COMP	COMPRESSOR	MRLC	MANUAL RESET LIMIT CONTROL
CT	CONTROL TRANSFORMER	NPC	NEGATIVE PRESSURE CONTROL
DISC	DISCONNECT SWITCH	OFM	OUTDOOR FAN MOTOR
FLMS	FLAME SENSOR	PL	PLUG
FT	FREEZE STAT	RC	RUN CAPACITOR
GFCO	GROUND FAULT CONVENIENCE OUTLET	SE	SPARK ELECTRODE
GL	GROUND LUG	TB	TERMINAL BLOCK
GND	GROUND	W	WIRE NUT
GV	GAS VALVE		
HPC	HIGH PRESSURE CONTROL		
IDM	INDOOR BLOWER MOTOR BELT DRIVE		
IDM	INDUCED DRAFT MOTOR		
IFC	INTEGRATED FURNACE CONTROL		

**WIRING INFORMATION**

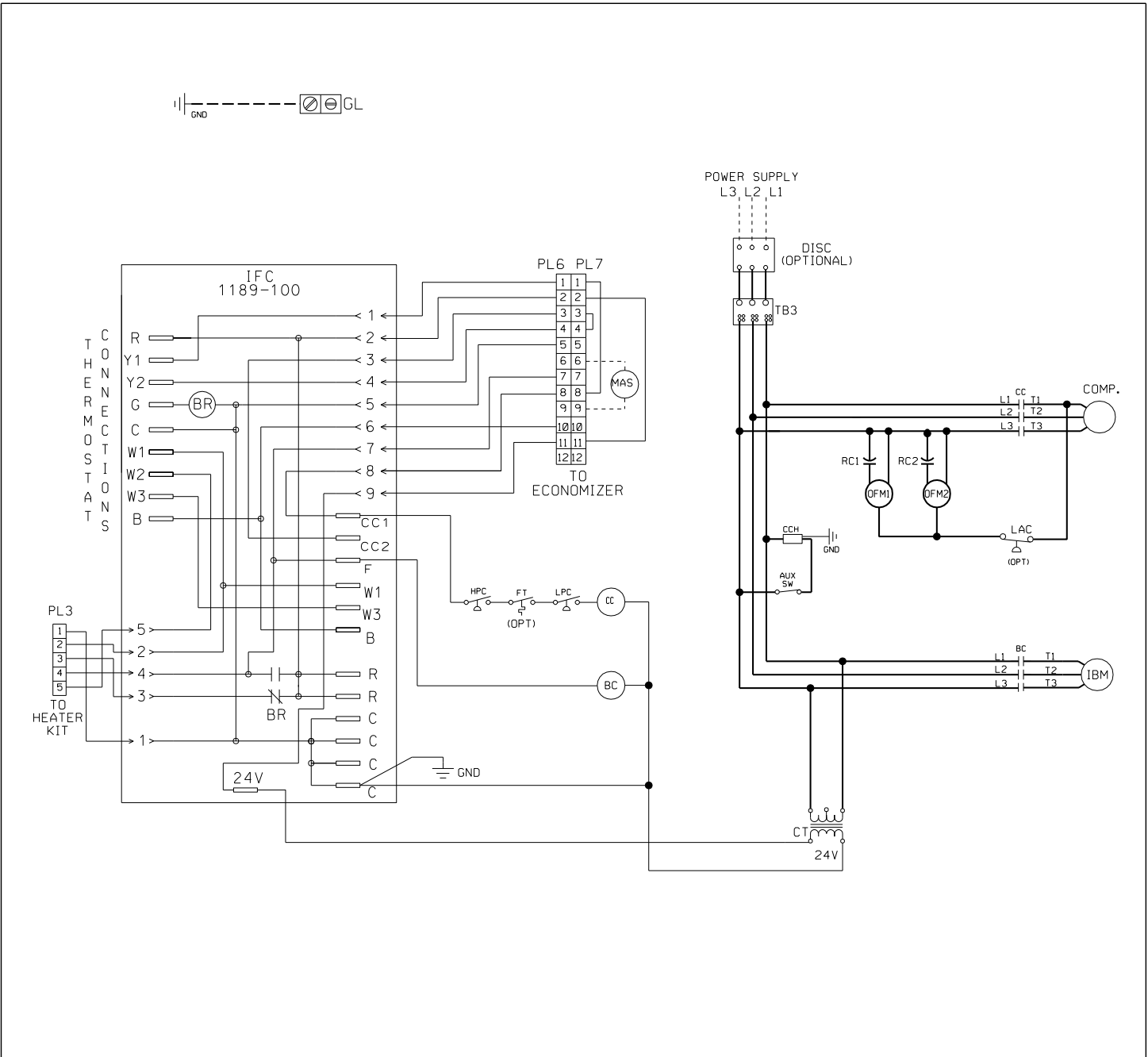
LINE VOLTAGE  
 -FACTORY STANDARD \_\_\_\_\_  
 -FACTORY OPTION - - - - -  
 -FIELD INSTALLED - - - - -  
 LOW VOLTAGE  
 -FACTORY STANDARD \_\_\_\_\_  
 -FACTORY OPTION - - - - -  
 -FIELD INSTALLED - - - - -  
 REPLACEMENT WIRE  
 -MUST BE THE SAME SIZE AND TYPE OF INSULATION AS ORIGINAL (105 C.MIN.)  
**WARNING**  
 -CABINET MUST BE PERMANENTLY GROUNDED AND CONFORM TO I.E.C., N.E.C., C.E.C., NATIONAL WIRING REGULATIONS, AND LOCAL CODES AS APPLICABLE.

**WIRE COLOR CODE**

BK	BLACK	O	ORANGE
BR	BROWN	PR	PURPLE
BL	BLUE	R	RED
G	GREEN	W	WHITE
GY	GRAY	Y	YELLOW

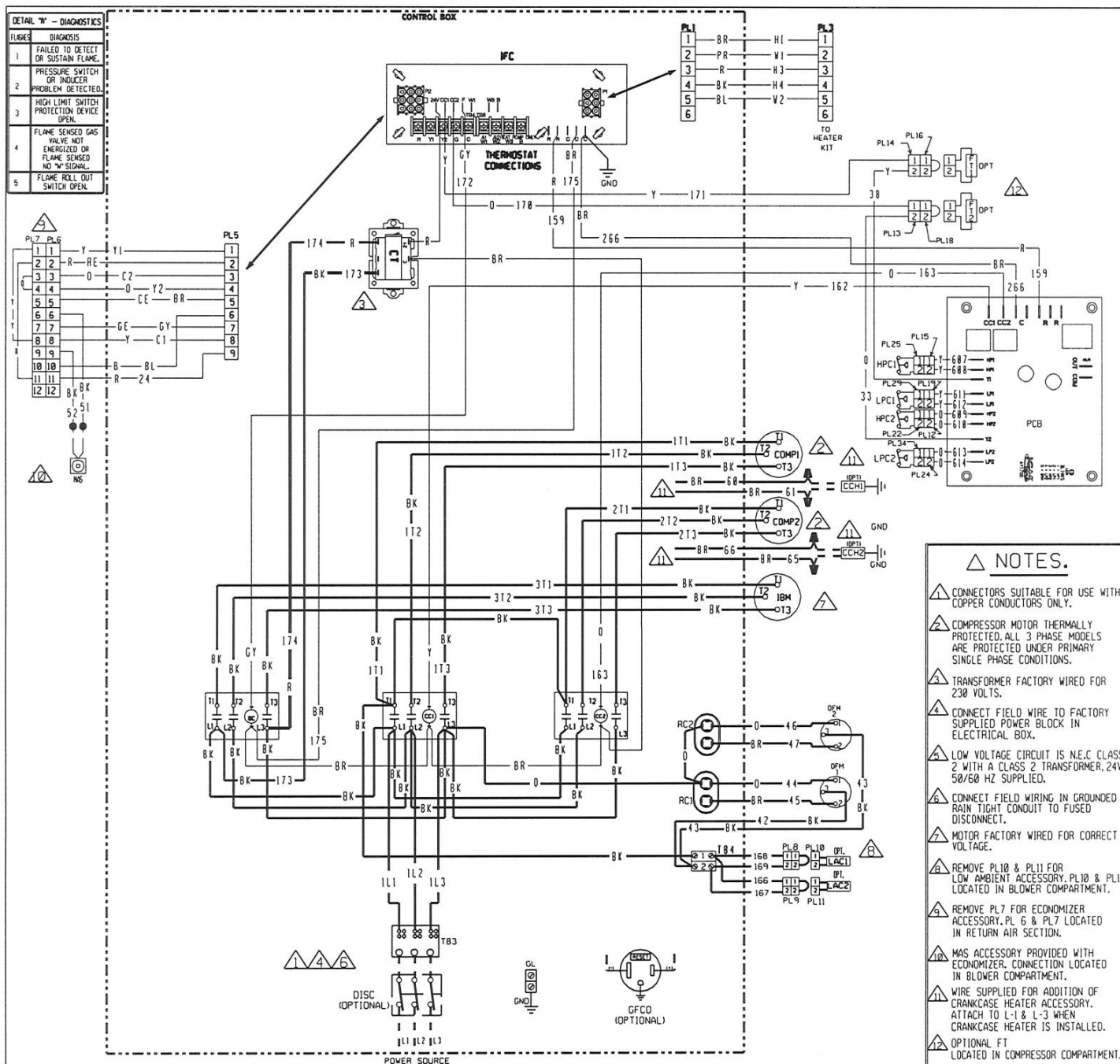
**WIRING DIAGRAM**  
 (-)LNL-B073  
 208-230/460/575V 3 PH, 60 HZ.  
 200-220/380-415V, 3 PH, 50 HZ

DR. BY	APP. BY	DATE	DWG. NO.	REV
MGR		5-19-08	90-102892-02	04



COMPONENT CODE		WIRING INFORMATION		WIRE COLOR CODE	
AUX SW	AUXILIARY SWITCH	LINE VOLTAGE		BK	BLACK
BC	BLOWER MOTOR CONTACTOR	-FACTORY STANDARD	—————	BR	BROWN
BR	BLOWER RELAY	-FACTORY OPTION	-----	BL	BLUE
CC	COMPRESSOR CONTACTOR	-FIELD INSTALLED	-----	GY	GRAY
CCH	CRANKCASE HEATER	LOW VOLTAGE		O	ORANGE
COMP	COMPRESSOR	-FACTORY STANDARD	—————	PR	PURPLE
CT	CONTROL TRANSFORMER	-FACTORY OPTION	-----	R	RED
FT	FREEZE STAT	-FIELD INSTALLED	-----	W	WHITE
GL	GROUND LUG	REPLACEMENT WIRE		Y	YELLOW
GND	GROUND	-MUST BE THE SAME SIZE AND TYPE OF INSULATION AS ORIGINAL (105° C MIN.)		<b>WIRING SCHEMATIC</b> (-)LNL-B073 208-230/460/575V, 3PH, 60HZ. 200-220/380-415V, 3 PH 50 HZ	
HPC	HIGH PRESSURE CONTROL	WARNING			
IBM	INDOOR BLOWER MOTOR	-CABINET MUST BE PERMANENTLY GROUNDED AND CONFORM TO I.E.C., N.E.C., C.E.C., NATIONAL WIRING REGULATIONS, AND LOCAL CODES AS APPLICABLE.		DR. BY	MGR
IFC	INTEGRATED FURNACE CONTROL			APP. BY	
LAC	LOW AMBIENT CONTROL			DATE	5-22-08
LPC	LOW PRESSURE CONTROL			DWG. NO.	90-102893-02
				REV	02





- NOTES.**
- △ CONNECTORS SUITABLE FOR USE WITH COPPER CONDUCTORS ONLY.
  - ⚡ COMPRESSOR MOTOR THERMALLY PROTECTED. ALL 3 PHASE MODELS ARE PROTECTED UNDER PRIMARY SINGLE PHASE CONDITIONS.
  - ⚡ TRANSFORMER FACTORY WIRED FOR 230 VOLTS.
  - ⚡ CONNECT FIELD WIRE TO FACTORY SUPPLIED POWER BLOCK IN ELECTRICAL BOX.
  - ⚡ LOW VOLTAGE CIRCUIT IS N.E.C. CLASS 2 WITH A CLASS 2 TRANSFORMER, 24V, 50/60 HZ SUPPLIED.
  - ⚡ CONNECT FIELD WIRING IN GROUNDED RAIN TIGHT CONDUIT TO FUSED DISCONNECT.
  - ⚡ MOTOR FACTORY WIRED FOR CORRECT VOLTAGE.
  - ⚡ REMOVE PL10 & PL11 FOR LOW AMBIENT ACCESSORY. PL10 & PL11, LOCATED IN BLOWER COMPARTMENT.
  - ⚡ REMOVE PL7 FOR ECONOMIZER ACCESSORY. PL 6 & PL7 LOCATED IN RETURN AIR SECTION.
  - ⚡ MAS ACCESSORY PROVIDED WITH ECONOMIZER. CONNECTION LOCATED IN BLOWER COMPARTMENT.
  - ⚡ WIRE SUPPLIED FOR ADDITION OF CRANKCASE HEATER ACCESSORY. ATTACH TO L-1 & L-3 WHEN CRANKCASE HEATER IS INSTALLED.
  - ⚡ OPTIONAL FT LOCATED IN COMPRESSOR COMPARTMENT.

**COMPONENT CODE**

BC BLOWER CONTACTOR	LAC LOW AMBIENT COOLING CONTROL
CC COMPRESSOR CONTACTOR	LC LIMIT CONTROL
CCH CRANKCASE HEATER	LPC LOW PRESSURE CONTROL
COMP COMPRESSOR	MAS MIX AIR SENSOR
CT CONTROL TRANSFORMER	MRLC MANUAL RESET LIMIT CONTROL
DISC DISCONNECT SWITCH	NPC NEGATIVE PRESSURE CONTROL
FLMS FLAME SENSOR	OFM OUTDOOR FAN MOTOR
FT FREEZE STAT	PCB PRESSURE CONTROL BOARD
GFCO GROUND FAULT CONVENIENCE OUTLET	PL PLUG
GL GROUND LUG	RC RUN CAPACITOR
GND GROUND	SE SPARK ELECTRODE
GV GAS VALVE	TB TERMINAL BLOCK
HPC HIGH PRESSURE CONTROL	▲ WIRE NUT
IBM INDOOR BLOWER MOTOR BELT DRIVE	
IDM INDUCED DRAFT MOTOR	
IFC INTEGRATED FURNACE CONTROL	

**WIRING INFORMATION**

LINE VOLTAGE  
 -FACTORY STANDARD —————  
 -FACTORY OPTION - - - - -  
 -FIELD INSTALLED - - - - -

LOW VOLTAGE  
 -FACTORY STANDARD —————  
 -FACTORY OPTION - - - - -  
 -FIELD INSTALLED - - - - -

REPLACEMENT WIRE  
 -MUST BE THE SAME SIZE AND TYPE OF INSULATION AS ORIGINAL (105 C° MIN.)

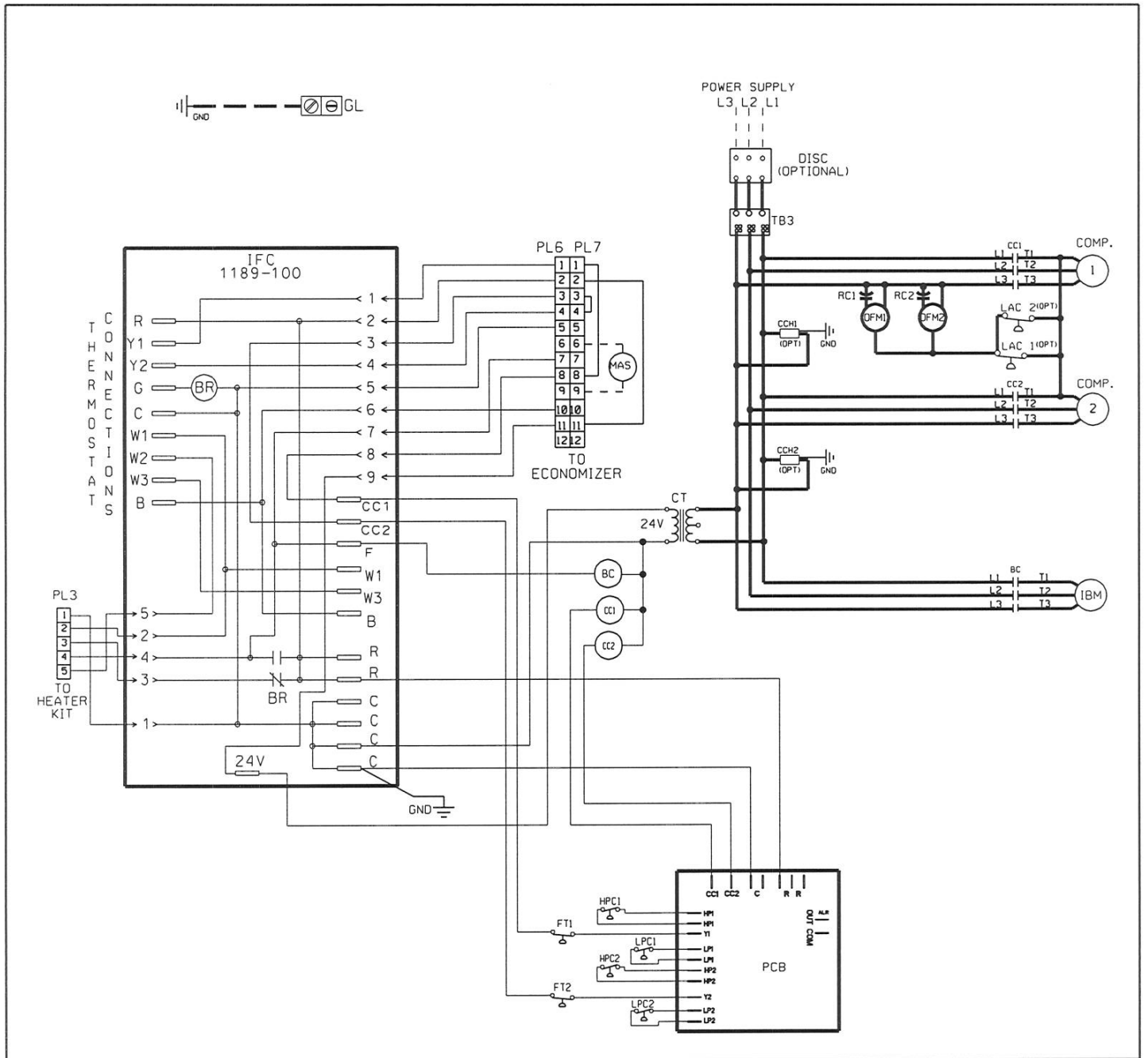
WARNING  
 -CABINET MUST BE PERMANENTLY GROUNDED AND CONFORM TO I.E.C., N.E.C., C.E.C. AND LOCAL CODES AS APPLICABLE.

**WIRE COLOR CODE**

BK BLACK	O ORANGE
BR BROWN	PR PURPLE
BL BLUE	R RED
G GREEN	W WHITE
GY GRAY	Y YELLOW

**WIRING DIAGRAM**  
 (-)LKL/LNL-B151  
 208-230/460/575V 3 PH, 60 HZ.  
 200-220/380-415V, 3 PH, 50HZ

DR. BY MGR	APP. BY MGR	DATE 8-14-12	DWG. NO. 90-102892-05	REV 01
---------------	----------------	-----------------	--------------------------	-----------



COMPONENT CODE

BC	BLOWER MOTOR CONTACTOR	MAS	MIXED AIR SENSOR
BR	BLOWER RELAY	OFM	OUTDOOR FAN MOTOR
CC	COMPRESSOR CONTACTOR	OPT	OPTIONAL
CCH	CRANKCASE HEATER	PCB	PRESSURE CONTROL BOARD
COMP	COMPRESSOR	PL	PLUG
CT	CONTROL TRANSFORMER	RC	RUN CAPACITOR
FT	FREEZE STAT	TB	TERMINAL BLOCK
GL	GROUND LUG		
GND	GROUND		
HPC	HIGH PRESSURE CONTROL		
IBM	INDOOR BLOWER MOTOR		
IFC	INTEGRATED FURNACE CONTROL		
LAC	LOW AMBIENT CONTROL		
LPC	LOW PRESSURE CONTROL		

WIRING INFORMATION

LINE VOLTAGE  
 -FACTORY STANDARD —————  
 -FACTORY OPTION - - - - -  
 -FIELD INSTALLED - - - - -  
 LOW VOLTAGE  
 -FACTORY STANDARD —————  
 -FACTORY OPTION - - - - -  
 -FIELD INSTALLED - - - - -  
 REPLACEMENT WIRE  
 -MUST BE THE SAME SIZE AND TYPE OF INSULATION AS ORIGINAL (105° C MIN.)  
**WARNING**  
 -CABINET MUST BE PERMANENTLY GROUNDED AND CONFORM TO I.E.C., N.E.C., C.E.C., NATIONAL WIRING REGULATIONS, AND LOCAL CODES AS APPLICABLE.

WIRE COLOR CODE

BK	BLACK	O	ORANGE
BR	BROWN	PR	PURPLE
BL	BLUE	R	RED
G	GREEN	W	WHITE
GY	GRAY	Y	YELLOW

WIRING SCHEMATIC  
(-)LKL/LNL-B151

208-230, 3PH, 60HZ./460/575V, 3PH, 60HZ.  
200-220/380-415V 3PH, 50HZ

DR. BY	APP. BY	DATE	DWG. NO.	REV
MGR	meb	8-16-12	90-102893-05	01



**BEFORE PURCHASING THIS APPLIANCE, READ IMPORTANT ENERGY COST AND EFFICIENCY INFORMATION AVAILABLE FROM YOUR RETAILER.**

### **GENERAL TERMS OF LIMITED WARRANTY\***

Rheem will furnish a replacement for any part of this product which fails in normal use and service within the applicable periods stated, in accordance with the terms of the limited warranty.

**\*For complete details of the Limited and Conditional Warranties, including applicable terms and conditions, contact your local contractor or the Manufacturer for a copy of the product warranty certificate.**

**Compressor** .....Five (5) Years  
**Parts** .....One (1) Year

**\*All other parts and components carry a limited warranty of five years, provided they are single-phase products installed in a residential application.**



The new degree of comfort.™

*In keeping with its policy of continuous progress and product improvement, Rheem reserves the right to make changes without notice.*

Rheem Heating, Cooling & Water Heating • P.O. Box 17010  
Fort Smith, Arkansas 72917 • [www.rheem.com](http://www.rheem.com)

Rheem Canada Ltd./Ltée • 125 Edgeware Road, Unit 1  
Brampton, Ontario • L6Y 0P5



INTEGRATED AIR & WATER

PRINTED IN U.S.A 10/12 QG FORM NO. S11-956 REV. 1