



Air

Package Air Conditioner
RLPN/RLQN Series

The new degree of comfort.™

Rheem *Commercial Classic*® Series Package Air Conditioner



*Unit shown with
optional louver
panels installed.

RLPN- 14 SEER Series

Featuring Industry Standard R-410A Refrigerant
Nominal Sizes 3-5 Tons [10.6-17.6 kW]

RLQN- 15 SEER Series

Featuring Industry Standard R-410A Refrigerant
Nominal Sizes 3-5 Tons [10.6-17.6 kW]



(15 SEER/12.0
EER ONLY)



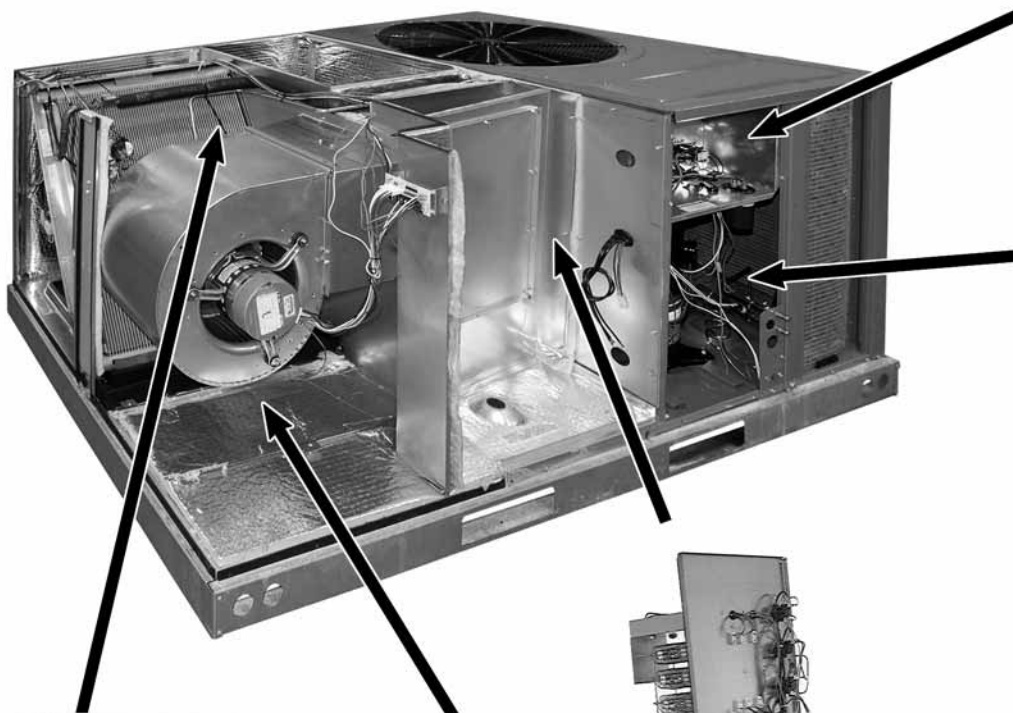
INTEGRATED AIR & WATER

TABLE OF CONTENTS

Unit Features & Benefits	3-4
Selection Procedure.....	5
Model Number Identification	6
Options	7
General Data	
RLPN- Series	8-15
RLQN- Series	16-21
General Data Notes	22
Gross Systems Performance Data	
RLPN- Series.....	23-25
RLQN- Series	26-28
Airflow Performance	29-35
Electrical Data	
RLPN- Series.....	36-38
RLQN- Series	39-40
Electric Heater Kits	
RLPN- Series.....	41-46
RLQN- Series	47-51
Dimensional Data	52-54
Accessories	55-63
Mechanical Specifications	64-68
Wiring Diagrams	69-77
Limited Warranty	78



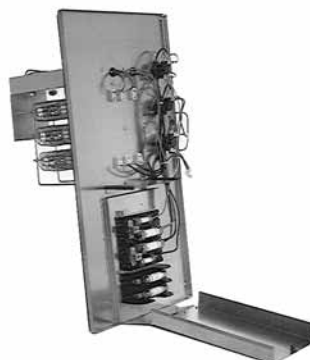
Air



Control Box Access



Compressor Access
(3 to 5 Ton [10.6 to 17.6 kW] Models)



Optional Electric Heater Kit



Evaporator Coil/Filter Access

- Return air filters, normally provided, are removed in this photo.

- Non-corrosive plastic condensate pan

Blower Access

- Belt drive model shown. (Available on 3-phase models only.)



[] Designates Metric Conversions





RLPN - A036, A048, A060
RLQN - A036, A048, A060

STANDARD FEATURES INCLUDE:

- R-410A HFC refrigerant.
- Complete factory charged, wired and run tested.
- Scroll compressors with internal line break overload and high-pressure protection.
- Single stage compressor on all models. (Except 5 ton 15 SEER) which utilizes two stage scroll.
- Convertible airflow.
- TXV refrigerant metering system.
- High Pressure and Low Pressure/Loss of charge protection standard on all models.
- Solid Core liquid line filter drier.
- Single slab, Micro Channel designed evaporator coil facilitates easy cleaning for maintained high efficiencies.
- Cooling operation up to 125 degree F ambient.
- Easily removable filter, blower, gas heat, and compressor/control access panels permits prompt service.
- Powder Paint Finish meets ASTM B117 steel coated on each side for maximum protection. G90 galvanized.
- One piece top cover and one piece base pan with drawn supply and return opening for superior water management.
- Externally mounted refrigerant gauge ports for easy service diagnostics.
- Factory or field-installed electric heat kits available up to 24 kW.
- Easy to install plug-in; slip in, 100% fully modulating economizer.
- Forkable base rails for easy handling and lifting.
- Single point electrical connections.
- Direct drive or high performance belt drive motor with variable pitch pulleys and quick adjust belt system.
- Permanently lubricated evaporator, condenser and gas heat inducer motors.
- Condenser motors are internally protected, totally enclosed with shaft down design.
- 1 inch filter standard with slide out design.
- Colored and labeled wiring.
- MicroChannel coils.
- Molded compressor plug.
- Micro Channel evaporator and condenser delivers superior performance with less refrigerant charge and less weight than conventional copper tube/aluminum fin coils. In addition the all aluminum construction has superior protection against formicary corrosion and aluminum tube rubbing potential. Its easier to clean and has a more robust surface.

SELECTION PROCEDURES

1. Determine cooling and heating requirements at design conditions.

Example:

Power supply	208/230 - 3 Phase
Total cooling capacity	42,500 BTUH [12.44 kW]
Sensible cooling capacity	34,000 BTUH [9.96 kW]
Heating capacity	None
Condenser entering air	95°F [35°C]
Evaporator entering air	63°F [17°C] wb/76°F [24°C] db
Indoor air flow	1600 CFM [755 L/s]
External static pressure	1.1 in wg
Required efficiency	13 SEER

2. Select unit to meet cooling requirements.

Since total cooling is within the range of 4 ton [14.07 kW] unit and requires 13 SEER efficiency level, enter cooling performance from the RLPN-A048 table, at 95°F [35°C] outdoor temperature, 63°F [17°C] wb entering indoor air, and 1600 CFM [755 L/s]:

Total capacity	45,100 BTUH [13.21 kW]
Power supply	44,100 BTUH [12.91 kW]
Power input	3.6 kW

And also, at 76°F [24°C] db indoor entering air, and using the formula at the bottom of the page:

Sensible capacity38,327 BTUH [11.22 kW]

3. Determine blower speed and power to meet the system requirements.

At the given external static pressure of 1.1 in wg, the belt model must be selected. Enter the belt drive blower performance table at 1600 CFM [755 L/s] and 1.1 in wg ESP:

RPM	1195
Watts	755
Drive	M

4. Calculate indoor blower BTUH heat effect.

BTUH = Watts x 3.413 = 2577

5. Calculate net cooling capacities.

Net total cooling = 45,100 – 2577 = 42,523 BTUH [12.45 kW]

Net sensible cooling = 36,908 – 2577 = 35,750 BTUH [10.06 kW]

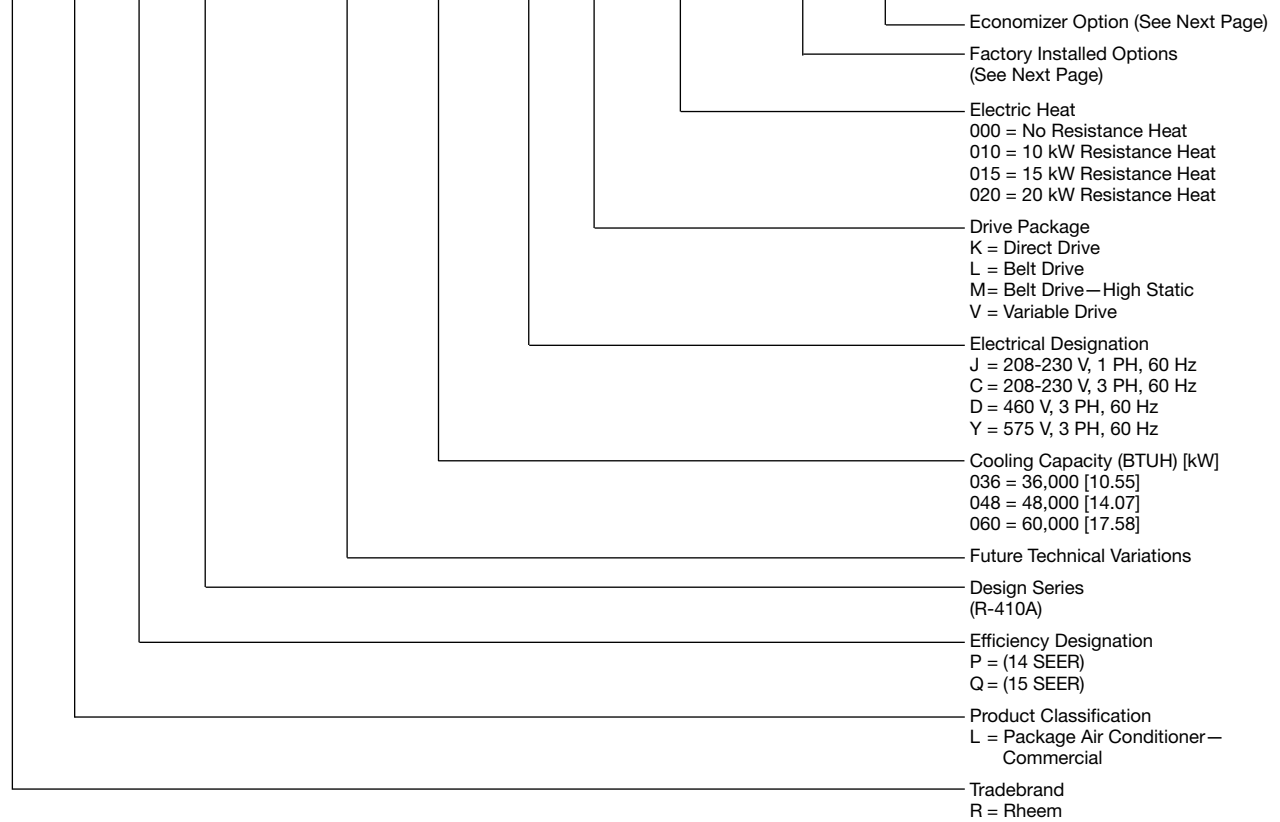
6. Select Model

RLPN-A048CM000

[] Designates Metric Conversions



R L P N - A 036 J K 000 X X X



[] Designates Metric Conversions



FACTORY INSTALLED OPTION CODES FOR RLPN- (3-5 Ton) [10.6-17.6 kW] (A036, A048, A060)

Option Code	Hail Guard	Non-Powered Conv. Outlet	Low Ambient/ Freeze Stat	Hinged Doors
AA	NO OPTIONS			
AD	X			
AG		X		
AP			X	
AV				X
BY	X		X	
BJ	X	X		
JC		X	X	
JK	X			X
JL		X		X
JP			X	X
CX	X	X	X	
KD	X	X		X
KG	X		X	X
KK		X	X	X
DS	X	X	X	X

Example: RLPN-A060JK000XX (where XX is factory installed option)

Example: No Options

RLPN-A060JK000

Example: No Options with Factory Installed Economizer

RLPN-A060JK000AAF

Example: Options with Hailguard with no Factory Installed Economizer

RLPN-A060JK000ADA

Example: Options same as above with Factory Installed Economizer

RLPN-A060JK000ADF

ECONOMIZER SELECTION FOR RLPN- (3-5 Ton) [10.6-17.6 kW] (A036, A048, A060)

Option Code	No Economizer	Economizer No Smoke Detector	Economizer With Smoke Detector
A	X		
F		X	
G			

"X" indicates factory installed option.

[] Designates Metric Conversions

NOMINAL SIZES 3-5 TONS [10.6-17.6 kW]

Model RLPN- Series	A036CK	A036CL	A036CM	A036DK
Cooling Performance¹				CONTINUED →
Gross Cooling Capacity Btu [kW]	36,200 [10.61]	36,200 [10.61]	36,200 [10.61]	36,200 [10.61]
EER/SEER ²	11.6/14	11.6/14	11.6/14	11.6/14
Nominal CFM/AHRI Rated CFM [L/s]	1200/1250 [566/590]	1200/1250 [566/590]	1200/1250 [566/590]	1200/1250 [566/590]
AHRI Net Cooling Capacity Btu [kW]	34,600 [10.14]	34,600 [10.14]	34,600 [10.14]	34,600 [10.14]
Net Sensible Capacity Btu [kW]	25,300 [7.41]	25,300 [7.41]	25,300 [7.41]	25,300 [7.41]
Net Latent Capacity Btu [kW]	9,300 [2.72]	9,300 [2.72]	9,300 [2.72]	9,300 [2.72]
Net System Power [kW]	2.95	2.95	2.95	2.95
Compressor				
No./Type	1/Scroll	1/Scroll	1/Scroll	1/Scroll
Outdoor Sound Rating (dB)³	78	78	78	78
Outdoor Coil—Fin Type	Louvered	Louvered	Louvered	Louvered
Tube Type	MicroChannel	MicroChannel	MicroChannel	MicroChannel
MicroChannel Depth in. [mm]	0.7 [18]	0.7 [18]	0.7 [18]	0.7 [18]
Face Area sq. ft. [sq. m]	13.9 [1.29]	13.9 [1.29]	13.9 [1.29]	13.9 [1.29]
Rows / FPI [FPcm]	1 / 23 [9]	1 / 23 [9]	1 / 23 [9]	1 / 23 [9]
Indoor Coil—Fin Type	Louvered	Louvered	Louvered	Louvered
Tube Type	MicroChannel	MicroChannel	MicroChannel	MicroChannel
MicroChannel Depth in. [mm]	1 [25]	1 [25]	1 [25]	1 [25]
Face Area sq. ft. [sq. m]	4.8 [0.45]	4.8 [0.45]	4.8 [0.45]	4.8 [0.45]
Rows / FPI [FPcm]	1 / 20 [8]	1 / 20 [8]	1 / 20 [8]	1 / 20 [8]
Refrigerant Control	TX Valves	TX Valves	TX Valves	TX Valves
Drain Connection No./Size in. [mm]	1/0.75 [19.05]	1/0.75 [19.05]	1/0.75 [19.05]	1/0.75 [19.05]
Outdoor Fan—Type	Propeller	Propeller	Propeller	Propeller
No. Used/Diameter in. [mm]	1/24 [609.6]	1/24 [609.6]	1/24 [609.6]	1/24 [609.6]
Drive Type/No. Speeds	Direct/1	Direct/1	Direct/1	Direct/1
CFM [L/s]	3680 [1737]	3680 [1737]	3680 [1737]	3680 [1737]
No. Motors/HP	1 at 1/3 HP	1 at 1/3 HP	1 at 1/3 HP	1 at 1/3 HP
Motor RPM	1075	1075	1075	1075
Indoor Fan—Type	FC Centrifugal	FC Centrifugal	FC Centrifugal	FC Centrifugal
No. Used/Diameter in. [mm]	1/10x10 [254x254]	1/10x10 [254x254]	1/10x10 [254x254]	1/10x10 [254x254]
Drive Type	Direct	Belt (Adjustable)	Belt (Adjustable)	Direct
No. Speeds	Multiple	Single	Single	Multiple
No. Motors	1	1	1	1
Motor HP	1/2	1/2	1/2	1/2
Motor RPM	1075	1725	1725	1075
Motor Frame Size	48	48	56	48
Filter—Type	Disposable	Disposable	Disposable	Disposable
Furnished	Yes	Yes	Yes	Yes
(NO.) Size Recommended in. [mm x mm x mm]	(1)1x16x25 [25x406x635] (1)1x16x25 [25x406x635]	(1)1x16x25 [25x406x635] (1)1x16x25 [25x406x635]	(1)1x16x25 [25x406x635] (1)1x16x25 [25x406x635]	(1)1x16x25 [25x406x635] (1)1x16x25 [25x406x635]
Refrigerant Charge Oz. [g]	54 [1531]	54 [1531]	54 [1531]	54 [1531]
Weights				
Net Weight lbs. [kg]	453 [206]	471 [214]	471 [214]	453 [206]
Ship Weight lbs. [kg]	460 [209]	478 [217]	478 [217]	460 [209]

See Page 22 for Notes.

[] Designates Metric Conversions


NOMINAL SIZES 3-5 TONS [10.6-17.6 kW]

Model RLPN- Series	A036DL	A036DM	A036JK	A036YL
Cooling Performance¹				CONTINUED →
Gross Cooling Capacity Btu [kW]	36,200 [10.61]	36,200 [10.61]	36,200 [10.61]	36,200 [10.61]
EER/SEER ²	11.6/14	11.6/14	11.6/14	11.6/14
Nominal CFM/AHRI Rated CFM [L/s]	1200/1250 [566/590]	1200/1250 [566/590]	1200/1250 [566/590]	1200/1250 [566/590]
AHRI Net Cooling Capacity Btu [kW]	34,600 [10.14]	34,600 [10.14]	34,600 [10.14]	34,600 [10.14]
Net Sensible Capacity Btu [kW]	25,300 [7.41]	25,300 [7.41]	25,300 [7.41]	25,300 [7.41]
Net Latent Capacity Btu [kW]	9,300 [2.72]	9,300 [2.72]	9,300 [2.72]	9,300 [2.72]
Net System Power [kW]	2.95	2.95	2.95	2.95
Compressor				
No./Type	1/Scroll	1/Scroll	1/Scroll	1/Scroll
Outdoor Sound Rating (dB)³	78	78	78	78
Outdoor Coil—Fin Type	Louvered	Louvered	Louvered	Louvered
Tube Type	MicroChannel	MicroChannel	MicroChannel	MicroChannel
MicroChannel Depth in. [mm]	0.7 [18]	0.7 [18]	0.7 [18]	0.7 [18]
Face Area sq. ft. [sq. m]	13.9 [1.29]	13.9 [1.29]	13.9 [1.29]	13.9 [1.29]
Rows / FPI [FPcm]	1 / 23 [9]	1 / 23 [9]	1 / 23 [9]	1 / 23 [9]
Indoor Coil—Fin Type	Louvered	Louvered	Louvered	Louvered
Tube Type	MicroChannel	MicroChannel	MicroChannel	MicroChannel
MicroChannel Depth in. [mm]	1 [25]	1 [25]	1 [25]	1 [25]
Face Area sq. ft. [sq. m]	4.8 [0.45]	4.8 [0.45]	4.8 [0.45]	4.8 [0.45]
Rows / FPI [FPcm]	1 / 20 [8]	1 / 20 [8]	1 / 20 [8]	1 / 20 [8]
Refrigerant Control	TX Valves	TX Valves	TX Valves	TX Valves
Drain Connection No./Size in. [mm]	1/0.75 [19.05]	1/0.75 [19.05]	1/0.75 [19.05]	1/0.75 [19.05]
Outdoor Fan—Type	Propeller	Propeller	Propeller	Propeller
No. Used/Diameter in. [mm]	1/24 [609.6]	1/24 [609.6]	1/24 [609.6]	1/24 [609.6]
Drive Type/No. Speeds	Direct/1	Direct/1	Direct/1	Direct/1
CFM [L/s]	3680 [1737]	3680 [1737]	3680 [1737]	3680 [1737]
No. Motors/HP	1 at 1/3 HP	1 at 1/3 HP	1 at 1/3 HP	1 at 1/3 HP
Motor RPM	1075	1075	1075	1075
Indoor Fan—Type	FC Centrifugal	FC Centrifugal	FC Centrifugal	FC Centrifugal
No. Used/Diameter in. [mm]	1/10x10 [254x254]	1/10x10 [254x254]	1/10x10 [254x254]	1/10x10 [254x254]
Drive Type	Belt (Adjustable)	Belt (Adjustable)	Direct	Belt (Adjustable)
No. Speeds	Single	Single	Multiple	Single
No. Motors	1	1	1	1
Motor HP	1/2	1/2	1/2	3/4
Motor RPM	1725	1725	1075	1725
Motor Frame Size	48	56	48	56
Filter—Type	Disposable	Disposable	Disposable	Disposable
Furnished	Yes	Yes	Yes	Yes
(NO.) Size Recommended in. [mm x mm x mm]	(1)1x16x25 [25x406x635]	(1)1x16x25 [25x406x635]	(1)1x16x25 [25x406x635]	(1)1x16x25 [25x406x635]
	(1)1x16x25 [25x406x635]	(1)1x16x25 [25x406x635]	(1)1x16x25 [25x406x635]	(1)1x16x25 [25x406x635]
Refrigerant Charge Oz. [g]	54 [1531]	54 [1531]	54 [1531]	54 [1531]
Weights				
Net Weight lbs. [kg]	471 [214]	471 [214]	453 [206]	471 [214]
Ship Weight lbs. [kg]	478 [217]	478 [217]	460 [209]	478 [217]

See Page 22 for Notes.

[] Designates Metric Conversions

NOMINAL SIZES 3-5 TONS [10.6-17.6 kW]

Model RLPN- Series	A036YM	A048CK	A048CL	A048CM
Cooling Performance¹				CONTINUED 
Gross Cooling Capacity Btu [kW]	36,200 [10.61]	48,000 [14.06]	48,000 [14.06]	48,000 [14.06]
EER/SEER ²	11.6/14	11.6/14	11.6/14	11.6/14
Nominal CFM/AHRI Rated CFM [L/s]	1200/1250 [566/590]	1600/1500 [755/708]	1600/1500 [755/708]	1600/1500 [755/708]
AHRI Net Cooling Capacity Btu [kW]	34,600 [10.14]	46,000 [13.48]	46,000 [13.48]	46,000 [13.48]
Net Sensible Capacity Btu [kW]	25,300 [7.41]	34,000 [9.96]	34,000 [9.96]	34,000 [9.96]
Net Latent Capacity Btu [kW]	9,300 [2.72]	12,000 [3.52]	12,000 [3.52]	12,000 [3.52]
Net System Power [kW]	2.95	3.93	3.93	3.93
Compressor				
No./Type	1/Scroll	1/Scroll	1/Scroll	1/Scroll
Outdoor Sound Rating (dB)³	78	78	78	78
Outdoor Coil—Fin Type	Louvered	Louvered	Louvered	Louvered
Tube Type	MicroChannel	MicroChannel	MicroChannel	MicroChannel
MicroChannel Depth in. [mm]	0.7 [18]	0.7 [18]	0.7 [18]	0.7 [18]
Face Area sq. ft. [sq. m]	13.9 [1.29]	16.4 [1.52]	16.4 [1.52]	16.4 [1.52]
Rows / FPI [FPcm]	1 / 23 [9]	1 / 23 [9]	1 / 23 [9]	1 / 23 [9]
Indoor Coil—Fin Type	Louvered	Louvered	Louvered	Louvered
Tube Type	MicroChannel	MicroChannel	MicroChannel	MicroChannel
MicroChannel Depth in. [mm]	1 [25]	1.3 [32]	1.3 [32]	1.3 [32]
Face Area sq. ft. [sq. m]	4.8 [0.45]	4.8 [0.45]	4.8 [0.45]	4.8 [0.45]
Rows / FPI [FPcm]	1 / 20 [8]	1 / 20 [8]	1 / 20 [8]	1 / 20 [8]
Refrigerant Control	TX Valves	TX Valves	TX Valves	TX Valves
Drain Connection No./Size in. [mm]	1/0.75 [19.05]	1/0.75 [19.05]	1/0.75 [19.05]	1/0.75 [19.05]
Outdoor Fan—Type	Propeller	Propeller	Propeller	Propeller
No. Used/Diameter in. [mm]	1/24 [609.6]	1/24 [609.6]	1/24 [609.6]	1/24 [609.6]
Drive Type/No. Speeds	Direct/1	Direct/1	Direct/1	Direct/1
CFM [L/s]	3680 [1737]	3680 [1737]	3680 [1737]	3680 [1737]
No. Motors/HP	1 at 1/3 HP	1 at 1/3 HP	1 at 1/3 HP	1 at 1/3 HP
Motor RPM	1075	1075	1075	1075
Indoor Fan—Type	FC Centrifugal	FC Centrifugal	FC Centrifugal	FC Centrifugal
No. Used/Diameter in. [mm]	1/10x10 [254x254]	1/10x10 [254x254]	1/10x10 [254x254]	1/10x10 [254x254]
Drive Type	Belt (Adjustable)	Direct	Belt (Adjustable)	Belt (Adjustable)
No. Speeds	Single	Multiple	Single	Single
No. Motors	1	1	1	1
Motor HP	3/4	1/2	1/2	3/4
Motor RPM	1725	1075	1725	1725
Motor Frame Size	56	48	48	56
Filter—Type	Disposable	Disposable	Disposable	Disposable
Furnished	Yes	Yes	Yes	Yes
(NO.) Size Recommended in. [mm x mm x mm]	(1)1x16x25 [25x406x635] (1)1x16x25 [25x406x635]	(1)1x16x25 [25x406x635] (1)1x16x25 [25x406x635]	(1)1x16x25 [25x406x635] (1)1x16x25 [25x406x635]	(1)1x16x25 [25x406x635] (1)1x16x25 [25x406x635]
Refrigerant Charge Oz. [g]	54 [1531]	68 [1928]	68 [1928]	68 [1928]
Weights				
Net Weight lbs. [kg]	471 [214]	477 [216]	495 [225]	496 [225]
Ship Weight lbs. [kg]	478 [217]	484 [220]	502 [228]	503 [228]

See Page 22 for Notes.

[] Designates Metric Conversions

NOMINAL SIZES 3-5 TONS [10.6-17.6 kW]

Model RLPN- Series	A048DK	A048DL	A048DM	A048JK
Cooling Performance¹				CONTINUED →
Gross Cooling Capacity Btu [kW]	48,000 [14.06]	48,000 [14.06]	48,000 [14.06]	48,000 [14.06]
EER/SEER ²	11.6/14	11.6/14	11.6/14	11.6/14
Nominal CFM/AHRI Rated CFM [L/s]	1600/1500 [755/708]	1600/1500 [755/708]	1600/1500 [755/708]	1600/1500 [755/708]
AHRI Net Cooling Capacity Btu [kW]	46,000 [13.48]	46,000 [13.48]	46,000 [13.48]	46,000 [13.48]
Net Sensible Capacity Btu [kW]	34,000 [9.96]	34,000 [9.96]	34,000 [9.96]	34,000 [9.96]
Net Latent Capacity Btu [kW]	12,000 [3.52]	12,000 [3.52]	12,000 [3.52]	12,000 [3.52]
Net System Power [kW]	3.93	3.93	3.93	3.93
Compressor				
No./Type	1/Scroll	1/Scroll	1/Scroll	1/Scroll
Outdoor Sound Rating (dB)³	78	78	78	78
Outdoor Coil—Fin Type	Louvered	Louvered	Louvered	Louvered
Tube Type	MicroChannel	MicroChannel	MicroChannel	MicroChannel
MicroChannel Depth in. [mm]	0.7 [18]	0.7 [18]	0.7 [18]	0.7 [18]
Face Area sq. ft. [sq. m]	16.4 [1.52]	16.4 [1.52]	16.4 [1.52]	16.4 [1.52]
Rows / FPI [FPcm]	1 / 23 [9]	1 / 23 [9]	1 / 23 [9]	1 / 23 [9]
Indoor Coil—Fin Type	Louvered	Louvered	Louvered	Louvered
Tube Type	MicroChannel	MicroChannel	MicroChannel	MicroChannel
MicroChannel Depth in. [mm]	1.3 [32]	1.3 [32]	1.3 [32]	1.3 [32]
Face Area sq. ft. [sq. m]	4.8 [0.45]	4.8 [0.45]	4.8 [0.45]	4.8 [0.45]
Rows / FPI [FPcm]	1 / 20 [8]	1 / 20 [8]	1 / 20 [8]	1 / 20 [8]
Refrigerant Control	TX Valves	TX Valves	TX Valves	TX Valves
Drain Connection No./Size in. [mm]	1/0.75 [19.05]	1/0.75 [19.05]	1/0.75 [19.05]	1/0.75 [19.05]
Outdoor Fan—Type	Propeller	Propeller	Propeller	Propeller
No. Used/Diameter in. [mm]	1/24 [609.6]	1/24 [609.6]	1/24 [609.6]	1/24 [609.6]
Drive Type/No. Speeds	Direct/1	Direct/1	Direct/1	Direct/1
CFM [L/s]	3680 [1737]	3680 [1737]	3680 [1737]	3680 [1737]
No. Motors/HP	1 at 1/3 HP	1 at 1/3 HP	1 at 1/3 HP	1 at 1/3 HP
Motor RPM	1075	1075	1075	1075
Indoor Fan—Type	FC Centrifugal	FC Centrifugal	FC Centrifugal	FC Centrifugal
No. Used/Diameter in. [mm]	1/10x10 [254x254]	1/10x10 [254x254]	1/10x10 [254x254]	1/10x10 [254x254]
Drive Type	Direct	Belt (Adjustable)	Belt (Adjustable)	Direct
No. Speeds	Multiple	Single	Single	Multiple
No. Motors	1	1	1	1
Motor HP	1/2	1/2	3/4	1/2
Motor RPM	1075	1725	1725	1075
Motor Frame Size	48	48	56	48
Filter—Type	Disposable	Disposable	Disposable	Disposable
Furnished	Yes	Yes	Yes	Yes
(NO.) Size Recommended in. [mm x mm x mm]	(1)1x16x25 [25x406x635] (1)1x16x25 [25x406x635]	(1)1x16x25 [25x406x635] (1)1x16x25 [25x406x635]	(1)1x16x25 [25x406x635] (1)1x16x25 [25x406x635]	(1)1x16x25 [25x406x635] (1)1x16x25 [25x406x635]
Refrigerant Charge Oz. [g]	68 [1928]	68 [1928]	68 [1928]	68 [1928]
Weights				
Net Weight lbs. [kg]	477 [216]	495 [225]	496 [225]	477 [216]
Ship Weight lbs. [kg]	484 [220]	502 [228]	503 [228]	484 [220]

See Page 22 for Notes.

[] Designates Metric Conversions


NOMINAL SIZES 3-5 TONS [10.6-17.6 kW]

Model RLPN- Series	A048YL	A048YM
Cooling Performance¹		
Gross Cooling Capacity Btu [kW]	48,000 [14.06]	48,000 [14.06]
EER/SEER ²	11.6/14	11.6/14
Nominal CFM/AHRI Rated CFM [L/s]	1600/1500 [755/708]	1600/1500 [755/708]
AHRI Net Cooling Capacity Btu [kW]	46,000 [13.48]	46,000 [13.48]
Net Sensible Capacity Btu [kW]	34,000 [9.96]	34,000 [9.96]
Net Latent Capacity Btu [kW]	12,000 [3.52]	12,000 [3.52]
Net System Power [kW]	3.93	3.93
Compressor		
No./Type	1/Scroll	1/Scroll
Outdoor Sound Rating (dB)³		
	78	78
Outdoor Coil—Fin Type		
	Louvered	Louvered
Tube Type	MicroChannel	MicroChannel
MicroChannel Depth in. [mm]	0.7 [18]	0.7 [18]
Face Area sq. ft. [sq. m]	16.4 [1.52]	16.4 [1.52]
Rows / FPI [FPcm]	1 / 23 [9]	1 / 23 [9]
Indoor Coil—Fin Type		
	Louvered	Louvered
Tube Type	MicroChannel	MicroChannel
MicroChannel Depth in. [mm]	1.3 [32]	1.3 [32]
Face Area sq. ft. [sq. m]	4.8 [0.45]	4.8 [0.45]
Rows / FPI [FPcm]	1 / 20 [8]	1 / 20 [8]
Refrigerant Control	TX Valves	TX Valves
Drain Connection No./Size in. [mm]	1/0.75 [19.05]	1/0.75 [19.05]
Outdoor Fan—Type		
	Propeller	Propeller
No. Used/Diameter in. [mm]	1/24 [609.6]	1/24 [609.6]
Drive Type/No. Speeds	Direct/1	Direct/1
CFM [L/s]	3680 [1737]	3680 [1737]
No. Motors/HP	1 at 1/3 HP	1 at 1/3 HP
Motor RPM	1075	1075
Indoor Fan—Type		
	FC Centrifugal	FC Centrifugal
No. Used/Diameter in. [mm]	1/10x10 [254x254]	1/10x10 [254x254]
Drive Type	Belt (Adjustable)	Belt (Adjustable)
No. Speeds	Single	Single
No. Motors	1	1
Motor HP	3/4	3/4
Motor RPM	1725	1725
Motor Frame Size	56	56
Filter—Type		
	Disposable	Disposable
Furnished	Yes	Yes
(NO.) Size Recommended in. [mm x mm x mm]	(1)1x16x25 [25x406x635]	(1)1x16x25 [25x406x635]
	(1)1x16x25 [25x406x635]	(1)1x16x25 [25x406x635]
Refrigerant Charge Oz. [g]		
	68 [1928]	68 [1928]
Weights		
Net Weight lbs. [kg]	496 [225]	496 [225]
Ship Weight lbs. [kg]	503 [228]	503 [228]

See Page 22 for Notes.

[] Designates Metric Conversions

NOMINAL SIZES 3-5 TONS [10.6-17.6 kW]

Model RLPN- Series	A060CK	A060CL	A060CM	A060DK
Cooling Performance¹				CONTINUED 
Gross Cooling Capacity Btu [kW]	60,000 [17.58]	60,000 [17.58]	60,000 [17.58]	60,000 [17.58]
EER/SEER ²	11.6/14	11.6/14	11.6/14	11.6/14
Nominal CFM/AHRI Rated CFM [L/s]	2000/1800 [944/849]	2000/1800 [944/849]	2000/1800 [944/849]	2000/1800 [944/849]
AHRI Net Cooling Capacity Btu [kW]	58,500 [17.14]	58,500 [17.14]	58,500 [17.14]	58,500 [17.14]
Net Sensible Capacity Btu [kW]	41,700 [12.22]	41,700 [12.22]	41,700 [12.22]	41,700 [12.22]
Net Latent Capacity Btu [kW]	16,800 [4.92]	16,800 [4.92]	16,800 [4.92]	16,800 [4.92]
Net System Power [kW]	4.95	4.95	4.95	4.95
Compressor				
No./Type	1/Scroll	1/Scroll	1/Scroll	1/Scroll
Outdoor Sound Rating (dB)³	83	83	83	83
Outdoor Coil—Fin Type	Louvered	Louvered	Louvered	Louvered
Tube Type	MicroChannel	MicroChannel	MicroChannel	MicroChannel
Tube Size in. [mm]	0.7 [18]	0.7 [18]	0.7 [18]	0.7 [18]
Face Area sq. ft. [sq. m]	16.4 [1.52]	16.4 [1.52]	16.4 [1.52]	16.4 [1.52]
Rows / FPI [FPcm]	1 / 23 [9]	1 / 23 [9]	1 / 23 [9]	1 / 23 [9]
Indoor Coil—Fin Type	Louvered	Louvered	Louvered	Louvered
Tube Type	MicroChannel	MicroChannel	MicroChannel	MicroChannel
Tube Size in. [mm]	1.3 [32]	1.3 [32]	1.3 [32]	1.3 [32]
Face Area sq. ft. [sq. m]	4.8 [0.45]	4.8 [0.45]	4.8 [0.45]	4.8 [0.45]
Rows / FPI [FPcm]	1 / 20 [8]	1 / 20 [8]	1 / 20 [8]	1 / 20 [8]
Refrigerant Control	TX Valves	TX Valves	TX Valves	TX Valves
Drain Connection No./Size in. [mm]	1/0.75 [19.05]	1/0.75 [19.05]	1/0.75 [19.05]	1/0.75 [19.05]
Outdoor Fan—Type	Propeller	Propeller	Propeller	Propeller
No. Used/Diameter in. [mm]	1/24 [609.6]	1/24 [609.6]	1/24 [609.6]	1/24 [609.6]
Drive Type/No. Speeds	Direct/1	Direct/1	Direct/1	Direct/1
CFM [L/s]	3930 [1855]	3930 [1855]	3930 [1855]	3930 [1855]
No. Motors/HP	1 at 1/3 HP	1 at 1/3 HP	1 at 1/3 HP	1 at 1/3 HP
Motor RPM	1075	1075	1075	1075
Indoor Fan—Type	FC Centrifugal	FC Centrifugal	FC Centrifugal	FC Centrifugal
No. Used/Diameter in. [mm]	1/10x10 [254x254]	1/11x10 [279x254]	1/11x10 [279x254]	1/10x10 [254x254]
Drive Type	Direct	Belt (Adjustable)	Belt (Adjustable)	Direct
No. Speeds	Multiple	Single	Single	Multiple
No. Motors	1	1	1	1
Motor HP	1	3/4	1	1
Motor RPM	1075	1725	1725	1075
Motor Frame Size	48	56	56	48
Filter—Type	Disposable	Disposable	Disposable	Disposable
Furnished	Yes	Yes	Yes	Yes
(NO.) Size Recommended in. [mm x mm x mm]	(1)1x16x25 [25x406x635] (1)1x16x25 [25x406x635]	(1)1x16x25 [25x406x635] (1)1x16x25 [25x406x635]	(1)1x16x25 [25x406x635] (1)1x16x25 [25x406x635]	(1)1x16x25 [25x406x635] (1)1x16x25 [25x406x635]
Refrigerant Charge Oz. [g]	63 [1786]	63 [1786]	63 [1786]	63 [1786]
Weights				
Net Weight lbs. [kg]	482 [219]	503 [228]	508 [230]	482 [219]
Ship Weight lbs. [kg]	489 [222]	510 [231]	515 [234]	489 [222]

See Page 22 for Notes.

[] Designates Metric Conversions

NOMINAL SIZES 3-5 TONS [10.6-17.6 kW]

Model RLPN- Series	A060DL	A060DM	A060JK	A060YL
Cooling Performance¹				CONTINUED →
Gross Cooling Capacity Btu [kW]	60,000 [17.58]	60,000 [17.58]	60,000 [17.58]	60,000 [17.58]
EER/SEER ²	11.6/14	11.6/14	11.6/14	11.6/14
Nominal CFM/AHRI Rated CFM [L/s]	2000/1800 [944/849]	2000/1800 [944/849]	2000/1800 [944/849]	2000/1800 [944/849]
AHRI Net Cooling Capacity Btu [kW]	58,500 [17.14]	58,500 [17.14]	58,500 [17.14]	58,500 [17.14]
Net Sensible Capacity Btu [kW]	41,700 [12.22]	41,700 [12.22]	41,700 [12.22]	41,700 [12.22]
Net Latent Capacity Btu [kW]	16,800 [4.92]	16,800 [4.92]	16,800 [4.92]	16,800 [4.92]
Net System Power [kW]	4.95	4.95	4.95	4.95
Compressor				
No./Type	1/Scroll	1/Scroll	1/Scroll	1/Scroll
Outdoor Sound Rating (dB)³				
	83	83	83	83
Outdoor Coil—Fin Type				
	Louvered	Louvered	Louvered	Louvered
Tube Type	MicroChannel	MicroChannel	MicroChannel	MicroChannel
Tube Size in. [mm]	0.7 [18]	0.7 [18]	0.7 [18]	0.7 [18]
Face Area sq. ft. [sq. m]	16.4 [1.52]	16.4 [1.52]	16.4 [1.52]	16.4 [1.52]
Rows / FPI [FPcm]	1 / 23 [9]	1 / 23 [9]	1 / 23 [9]	1 / 23 [9]
Indoor Coil—Fin Type				
	Louvered	Louvered	Louvered	Louvered
Tube Type	MicroChannel	MicroChannel	MicroChannel	MicroChannel
Tube Size in. [mm]	1.3 [32]	1.3 [32]	1.3 [32]	1.3 [32]
Face Area sq. ft. [sq. m]	4.8 [0.45]	4.8 [0.45]	4.8 [0.45]	4.8 [0.45]
Rows / FPI [FPcm]	1 / 20 [8]	1 / 20 [8]	1 / 20 [8]	1 / 20 [8]
Refrigerant Control	TX Valves	TX Valves	TX Valves	TX Valves
Drain Connection No./Size in. [mm]	1/0.75 [19.05]	1/0.75 [19.05]	1/0.75 [19.05]	1/0.75 [19.05]
Outdoor Fan—Type				
	Propeller	Propeller	Propeller	Propeller
No. Used/Diameter in. [mm]	1/24 [609.6]	1/24 [609.6]	1/24 [609.6]	1/24 [609.6]
Drive Type/No. Speeds	Direct/1	Direct/1	Direct/1	Direct/1
CFM [L/s]	3930 [1855]	3930 [1855]	3930 [1855]	3930 [1855]
No. Motors/HP	1 at 1/3 HP	1 at 1/3 HP	1 at 1/3 HP	1 at 1/3 HP
Motor RPM	1075	1075	1075	1075
Indoor Fan—Type				
	FC Centrifugal	FC Centrifugal	FC Centrifugal	FC Centrifugal
No. Used/Diameter in. [mm]	1/11x10 [279x254]	1/11x10 [279x254]	1/10x10 [254x254]	1/10x10 [254x254]
Drive Type	Belt (Adjustable)	Belt (Adjustable)	Direct	Belt (Adjustable)
No. Speeds	Single	Single	Multiple	Single
No. Motors	1	1	1	1
Motor HP	3/4	1	1	3/4
Motor RPM	1725	1725	1075	1725
Motor Frame Size	56	56	48	56
Filter—Type				
	Disposable	Disposable	Disposable	Disposable
Furnished	Yes	Yes	Yes	Yes
(NO.) Size Recommended in. [mm x mm x mm]	(1)1x16x25 [25x406x635] (1)1x16x25 [25x406x635]	(1)1x16x25 [25x406x635] (1)1x16x25 [25x406x635]	(1)1x16x25 [25x406x635] (1)1x16x25 [25x406x635]	(1)1x16x25 [25x406x635] (1)1x16x25 [25x406x635]
Refrigerant Charge Oz. [g]				
	63 [1786]	63 [1786]	63 [1786]	63 [1786]
Weights				
Net Weight lbs. [kg]	503 [228]	508 [230]	482 [219]	503 [228]
Ship Weight lbs. [kg]	510 [231]	515 [234]	489 [222]	510 [231]

See Page 22 for Notes.

[] Designates Metric Conversions

NOMINAL SIZES 3-5 TONS [10.6-17.6 kW]

Model RLPN- Series	A060YM
Cooling Performance¹	
Gross Cooling Capacity Btu [kW]	60,000 [17.58]
EER/SEER ²	11.6/14
Nominal CFM/AHRI Rated CFM [L/s]	2000/1800 [944/849]
AHRI Net Cooling Capacity Btu [kW]	58,500 [17.14]
Net Sensible Capacity Btu [kW]	41,700 [12.22]
Net Latent Capacity Btu [kW]	16,800 [4.92]
Net System Power [kW]	4.95
Compressor	
No./Type	1/Scroll
Outdoor Sound Rating (dB)³	
	83
Outdoor Coil—Fin Type	
Tube Type	Louvered
Tube Type	MicroChannel
Tube Size in. [mm] OD	0.7 [18]
Face Area sq. ft. [sq. m]	16.4 [1.52]
Rows / FPI [FPcm]	1 / 23 [9]
Indoor Coil—Fin Type	
Tube Type	Louvered
Tube Type	MicroChannel
Tube Size in. [mm] OD	1.3 [32]
Face Area sq. ft. [sq. m]	4.8 [0.45]
Rows / FPI [FPcm]	1 / 20 [8]
Refrigerant Control	TX Valves
Drain Connection No./Size in. [mm]	1/0.75 [19.05]
Outdoor Fan—Type	
	Propeller
No. Used/Diameter in. [mm]	1/24 [609.6]
Drive Type/No. Speeds	Direct/1
CFM [L/s]	3930 [1855]
No. Motors/HP	1 at 1/3 HP
Motor RPM	1075
Indoor Fan—Type	
	FC Centrifugal
No. Used/Diameter in. [mm]	1/10x10 [254x254]
Drive Type	Belt (Adjustable)
No. Speeds	Single
No. Motors	1
Motor HP	1
Motor RPM	1725
Motor Frame Size	56
Filter—Type	
	Disposable
Furnished	Yes
(NO.) Size Recommended in. [mm x mm x mm]	(1)1x16x25 [25x406x635]
	(1)1x16x25 [25x406x635]
Refrigerant Charge Oz. [g]	
	63 [1786]
Weights	
Net Weight lbs. [kg]	508 [230]
Ship Weight lbs. [kg]	515 [234]

See Page 22 for Notes.

[] Designates Metric Conversions


NOMINAL SIZES 3-5 TONS [10.6-17.6 kW]

Model RLQN- Series	A036CK	A036CL	A036CM	A036DK
Cooling Performance¹				CONTINUED →
Gross Cooling Capacity Btu [kW]	36,200 [10.61]	36,200 [10.61]	36,200 [10.61]	36,200 [10.61]
EER/SEER ²	12.5/15	12.5/15	12.5/15	12.5/15
Nominal CFM/AHRI Rated CFM [L/s]	1200/1250 [566/590]	1200/1250 [566/590]	1200/1250 [566/590]	1200/1250 [566/590]
AHRI Net Cooling Capacity Btu [kW]	35,400 [10.37]	35,400 [10.37]	35,400 [10.37]	35,400 [10.37]
Net Sensible Capacity Btu [kW]	26,200 [7.68]	26,200 [7.68]	26,200 [7.68]	26,200 [7.68]
Net Latent Capacity Btu [kW]	9,200 [2.7]	9,200 [2.7]	9,200 [2.7]	9,200 [2.7]
Net System Power [kW]	2.72	2.72	2.72	2.72
Compressor				
No./Type	1/Scroll	1/Scroll	1/Scroll	1/Scroll
Outdoor Sound Rating (dB)³	78	78	78	78
Outdoor Coil—Fin Type	Louvered	Louvered	Louvered	Louvered
Tube Type	MicroChannel	MicroChannel	MicroChannel	MicroChannel
MicroChannel Depth in. [mm]	0.7 [18]	0.7 [18]	0.7 [18]	0.7 [18]
Face Area sq. ft. [sq. m]	13.9 [1.29]	13.9 [1.29]	13.9 [1.29]	13.9 [1.29]
Rows / FPI [FPcm]	1 / 23 [9]	1 / 23 [9]	1 / 23 [9]	1 / 23 [9]
Indoor Coil—Fin Type	Louvered	Louvered	Louvered	Louvered
Tube Type	MicroChannel	MicroChannel	MicroChannel	MicroChannel
MicroChannel Depth in. [mm]	1 [25]	1 [25]	1 [25]	1 [25]
Face Area sq. ft. [sq. m]	4.8 [0.45]	4.8 [0.45]	4.8 [0.45]	4.8 [0.45]
Rows / FPI [FPcm]	1 / 20 [8]	1 / 20 [8]	1 / 20 [8]	1 / 20 [8]
Refrigerant Control	TX Valves	TX Valves	TX Valves	TX Valves
Drain Connection No./Size in. [mm]	1/0.75 [19.05]	1/0.75 [19.05]	1/0.75 [19.05]	1/0.75 [19.05]
Outdoor Fan—Type	Propeller	Propeller	Propeller	Propeller
No. Used/Diameter in. [mm]	1/24 [609.6]	1/24 [609.6]	1/24 [609.6]	1/24 [609.6]
Drive Type/No. Speeds	Direct/1	Direct/1	Direct/1	Direct/1
CFM [L/s]	3680 [1737]	3680 [1737]	3680 [1737]	3680 [1737]
No. Motors/HP	1 at 1/3 HP	1 at 1/3 HP	1 at 1/3 HP	1 at 1/3 HP
Motor RPM	1075	1075	1075	1075
Indoor Fan—Type	FC Centrifugal	FC Centrifugal	FC Centrifugal	FC Centrifugal
No. Used/Diameter in. [mm]	1/10x10 [254x254]	1/10x10 [254x254]	1/10x10 [254x254]	1/10x10 [254x254]
Drive Type	Direct	Belt (Adjustable)	Belt (Adjustable)	Direct
No. Speeds	Multiple	Single	Single	Multiple
No. Motors	1	1	1	1
Motor HP	1/2	1/2	3/4	1/2
Motor RPM	1075	1725	1725	1075
Motor Frame Size	48	48	56	48
Filter—Type	Disposable	Disposable	Disposable	Disposable
Furnished	Yes	Yes	Yes	Yes
(NO.) Size Recommended in. [mm x mm x mm]	(1)1x16x25 [25x406x635] (1)1x16x25 [25x406x635]	(1)1x16x25 [25x406x635] (1)1x16x25 [25x406x635]	(1)1x16x25 [25x406x635] (1)1x16x25 [25x406x635]	(1)1x16x25 [25x406x635] (1)1x16x25 [25x406x635]
Refrigerant Charge Oz. [g]	54 [1531]	54 [1531]	54 [1531]	54 [1531]
Weights				
Net Weight lbs. [kg]	453 [206]	471 [214]	471 [214]	453 [206]
Ship Weight lbs. [kg]	460 [209]	478 [217]	478 [217]	460 [209]

See Page 22 for Notes.

[] Designates Metric Conversions

NOMINAL SIZES 3-5 TONS [10.6-17.6 kW]

Model RLQN- Series	A036DL	A036DM	A036JK	A048CK
Cooling Performance¹				CONTINUED 
Gross Cooling Capacity Btu [kW]	36,200 [10.61]	36,200 [10.61]	36,200 [10.61]	48,000 [14.06]
EER/SEER ²	12.5/15	12.5/15	12.5/15	12.5/15
Nominal CFM/AHRI Rated CFM [L/s]	1200/1250 [566/590]	1200/1250 [566/590]	1200/1250 [566/590]	1600/1600 [755/755]
AHRI Net Cooling Capacity Btu [kW]	35,400 [10.37]	35,400 [10.37]	35,400 [10.37]	46,500 [13.62]
Net Sensible Capacity Btu [kW]	26,200 [7.68]	26,200 [7.68]	26,200 [7.68]	35,700 [10.46]
Net Latent Capacity Btu [kW]	9,200 [2.7]	9,200 [2.7]	9,200 [2.7]	10,800 [3.16]
Net System Power [kW]	2.72	2.72	2.72	3.69
Compressor				
No./Type	1/Scroll	1/Scroll	1/Scroll	1/Scroll
Outdoor Sound Rating (dB)³	78	78	78	78
Outdoor Coil—Fin Type	Louvered	Louvered	Louvered	Louvered
Tube Type	MicroChannel	MicroChannel	MicroChannel	MicroChannel
MicroChannel Depth in. [mm]	0.7 [18]	0.7 [18]	0.7 [18]	0.7 [18]
Face Area sq. ft. [sq. m]	13.9 [1.29]	13.9 [1.29]	13.9 [1.29]	16.4 [1.52]
Rows / FPI [FPcm]	1 / 23 [9]	1 / 23 [9]	1 / 23 [9]	1 / 23 [9]
Indoor Coil—Fin Type	Louvered	Louvered	Louvered	Louvered
Tube Type	MicroChannel	MicroChannel	MicroChannel	MicroChannel
MicroChannel Depth in. [mm]	1 [25]	1 [25]	1 [25]	1.3 [32]
Face Area sq. ft. [sq. m]	4.8 [0.45]	4.8 [0.45]	4.8 [0.45]	4.8 [0.45]
Rows / FPI [FPcm]	1 / 20 [8]	1 / 20 [8]	1 / 20 [8]	1 / 20 [8]
Refrigerant Control	TX Valves	TX Valves	TX Valves	TX Valves
Drain Connection No./Size in. [mm]	1/0.75 [19.05]	1/0.75 [19.05]	1/0.75 [19.05]	1/0.75 [19.05]
Outdoor Fan—Type	Propeller	Propeller	Propeller	Propeller
No. Used/Diameter in. [mm]	1/24 [609.6]	1/24 [609.6]	1/24 [609.6]	1/24 [609.6]
Drive Type/No. Speeds	Direct/1	Direct/1	Direct/1	Direct/1
CFM [L/s]	3680 [1737]	3680 [1737]	3680 [1737]	3680 [1737]
No. Motors/HP	1 at 1/3 HP	1 at 1/3 HP	1 at 1/3 HP	1 at 1/3 HP
Motor RPM	1075	1075	1075	1075
Indoor Fan—Type	FC Centrifugal	FC Centrifugal	FC Centrifugal	FC Centrifugal
No. Used/Diameter in. [mm]	1/10x10 [254x254]	1/10x10 [254x254]	1/10x10 [254x254]	1/10x10 [254x254]
Drive Type	Belt (Adjustable)	Belt (Adjustable)	Direct	Direct
No. Speeds	Single	Single	Multiple	Multiple
No. Motors	1	1	1	1
Motor HP	1/2	3/4	1/2	3/4
Motor RPM	1725	1725	1075	1075
Motor Frame Size	48	56	48	48
Filter—Type	Disposable	Disposable	Disposable	Disposable
Furnished	Yes	Yes	Yes	Yes
(NO.) Size Recommended in. [mm x mm x mm]	(1)1x16x25 [25x406x635]	(1)1x16x25 [25x406x635]	(1)1x16x25 [25x406x635]	(1)1x16x25 [25x406x635]
	(1)1x16x25 [25x406x635]	(1)1x16x25 [25x406x635]	(1)1x16x25 [25x406x635]	(1)1x16x25 [25x406x635]
Refrigerant Charge Oz. [g]	54 [1531]	54 [1531]	54 [1531]	68 [1928]
Weights				
Net Weight lbs. [kg]	471 [214]	471 [214]	453 [206]	477 [216]
Ship Weight lbs. [kg]	478 [217]	478 [217]	460 [209]	484 [220]

See Page 22 for Notes.

[] Designates Metric Conversions

NOMINAL SIZES 3-5 TONS [10.6-17.6 kW]

Model RLQN- Series	A048CL	A048CM	A048DK	A048DL
Cooling Performance¹				CONTINUED →
Gross Cooling Capacity Btu [kW]	48,000 [14.06]	48,000 [14.06]	48,000 [14.06]	48,000 [14.06]
EER/SEER ²	12.5/15	12.5/15	12.5/15	12.5/15
Nominal CFM/AHRI Rated CFM [L/s]	1600/1600 [755/755]	1600/1600 [755/755]	1600/1600 [755/755]	1600/1600 [755/755]
AHRI Net Cooling Capacity Btu [kW]	46,500 [13.62]	46,500 [13.62]	46,500 [13.62]	46,500 [13.62]
Net Sensible Capacity Btu [kW]	35,700 [10.46]	35,700 [10.46]	35,700 [10.46]	35,700 [10.46]
Net Latent Capacity Btu [kW]	10,800 [3.16]	10,800 [3.16]	10,800 [3.16]	10,800 [3.16]
Net System Power [kW]	3.69	3.69	3.69	3.69
Compressor				
No./Type	1/Scroll	1/Scroll	1/Scroll	1/Scroll
Outdoor Sound Rating (dB)³	78	78	78	78
Outdoor Coil—Fin Type	Louvered	Louvered	Louvered	Louvered
Tube Type	MicroChannel	MicroChannel	MicroChannel	MicroChannel
Tube Size in. [mm] OD	0.7 [18]	0.7 [18]	0.7 [18]	0.7 [18]
Face Area sq. ft. [sq. m]	16.4 [1.52]	16.4 [1.52]	16.4 [1.52]	16.4 [1.52]
Rows / FPI [FPcm]	1 / 23 [9]	1 / 23 [9]	1 / 23 [9]	1 / 23 [9]
Indoor Coil—Fin Type	Louvered	Louvered	Louvered	Louvered
Tube Type	MicroChannel	MicroChannel	MicroChannel	MicroChannel
Tube Size in. [mm] OD	1.3 [32]	1.3 [32]	1.3 [32]	1.3 [32]
Face Area sq. ft. [sq. m]	4.8 [0.45]	4.8 [0.45]	4.8 [0.45]	4.8 [0.45]
Rows / FPI [FPcm]	1 / 20 [8]	1 / 20 [8]	1 / 20 [8]	1 / 20 [8]
Refrigerant Control	TX Valves	TX Valves	TX Valves	TX Valves
Drain Connection No./Size in. [mm]	1/0.75 [19.05]	1/0.75 [19.05]	1/0.75 [19.05]	1/0.75 [19.05]
Outdoor Fan—Type	Propeller	Propeller	Propeller	Propeller
No. Used/Diameter in. [mm]	1/24 [609.6]	1/24 [609.6]	1/24 [609.6]	1/24 [609.6]
Drive Type/No. Speeds	Direct/1	Direct/1	Direct/1	Direct/1
CFM [L/s]	3680 [1737]	3680 [1737]	3680 [1737]	3680 [1737]
No. Motors/HP	1 at 1/3 HP	1 at 1/3 HP	1 at 1/3 HP	1 at 1/3 HP
Motor RPM	1075	1075	1075	1075
Indoor Fan—Type	FC Centrifugal	FC Centrifugal	FC Centrifugal	FC Centrifugal
No. Used/Diameter in. [mm]	1/10x10 [254x254]	1/10x10 [254x254]	1/10x10 [254x254]	1/10x10 [254x254]
Drive Type	Belt (Adjustable)	Belt (Adjustable)	Direct	Belt (Adjustable)
No. Speeds	Single	Single	Multiple	Single
No. Motors	1	1	1	1
Motor HP	1/2	3/4	3/4	1/2
Motor RPM	1725	1725	1075	1725
Motor Frame Size	48	56	48	48
Filter—Type	Disposable	Disposable	Disposable	Disposable
Furnished	Yes	Yes	Yes	Yes
(NO.) Size Recommended in. [mm x mm x mm]	(1)1x16x25 [25x406x635] (1)1x16x25 [25x406x635]	(1)1x16x25 [25x406x635] (1)1x16x25 [25x406x635]	(1)1x16x25 [25x406x635] (1)1x16x25 [25x406x635]	(1)1x16x25 [25x406x635] (1)1x16x25 [25x406x635]
Refrigerant Charge Oz. [g]	68 [1928]	68 [1928]	68 [1928]	68 [1928]
Weights				
Net Weight lbs. [kg]	495 [225]	496 [225]	477 [216]	495 [225]
Ship Weight lbs. [kg]	502 [228]	503 [228]	484 [220]	502 [228]

See Page 22 for Notes.

[] Designates Metric Conversions

NOMINAL SIZES 3-5 TONS [10.6-17.6 kW]

Model RLQN- Series	A048DM	A048JK
Cooling Performance¹		
Gross Cooling Capacity Btu [kW]	48,000 [14.06]	48,000 [14.06]
EER/SEER ²	12.5/15	12.5/15
Nominal CFM/AHRI Rated CFM [L/s]	1600/1600 [755/755]	1600/1600 [755/755]
AHRI Net Cooling Capacity Btu [kW]	46,500 [13.62]	46,500 [13.62]
Net Sensible Capacity Btu [kW]	35,700 [10.46]	35,700 [10.46]
Net Latent Capacity Btu [kW]	10,800 [3.16]	10,800 [3.16]
Net System Power [kW]	3.69	3.69
Compressor		
No./Type	1/Scroll	1/Scroll
Outdoor Sound Rating (dB)³		
	78	78
Outdoor Coil—Fin Type		
Tube Type	Louvered	Louvered
Tube Size in. [mm] OD	MicroChannel	MicroChannel
Tube Size in. [mm] OD	0.7 [18]	0.7 [18]
Face Area sq. ft. [sq. m]	16.4 [1.52]	16.4 [1.52]
Rows / FPI [FPcm]	1 / 23 [9]	1 / 23 [9]
Indoor Coil—Fin Type		
Tube Type	Louvered	Louvered
Tube Type	MicroChannel	MicroChannel
Tube Size in. [mm] OD	1.3 [32]	1.3 [32]
Face Area sq. ft. [sq. m]	4.8 [0.45]	4.8 [0.45]
Rows / FPI [FPcm]	1 / 20 [8]	1 / 20 [8]
Refrigerant Control	TX Valves	TX Valves
Drain Connection No./Size in. [mm]	1/0.75 [19.05]	1/0.75 [19.05]
Outdoor Fan—Type		
	Propeller	Propeller
No. Used/Diameter in. [mm]	1/24 [609.6]	1/24 [609.6]
Drive Type/No. Speeds	Direct/1	Direct/1
CFM [L/s]	3680 [1737]	3680 [1737]
No. Motors/HP	1 at 1/3 HP	1 at 1/3 HP
Motor RPM	1075	1075
Indoor Fan—Type		
	FC Centrifugal	FC Centrifugal
No. Used/Diameter in. [mm]	1/10x10 [254x254]	1/10x10 [254x254]
Drive Type	Belt (Adjustable)	Direct
No. Speeds	Single	Multiple
No. Motors	1	1
Motor HP	3/4	3/4
Motor RPM	1725	1075
Motor Frame Size	56	48
Filter—Type		
	Disposable	Disposable
Furnished	Yes	Yes
(NO.) Size Recommended in. [mm x mm x mm]	(1)1x16x25 [25x406x635]	(1)1x16x25 [25x406x635]
	(1)1x16x25 [25x406x635]	(1)1x16x25 [25x406x635]
Refrigerant Charge Oz. [g]		
	68 [1928]	68 [1928]
Weights		
Net Weight lbs. [kg]	496 [225]	477 [216]
Ship Weight lbs. [kg]	503 [228]	484 [220]

CONTINUED →

See Page 22 for Notes.

[] Designates Metric Conversions

NOMINAL SIZES 3-5 TONS [10.6-17.6 kW]

Model RLQN- Series	A060CK	A060CV	A060DK	A060DV
Cooling Performance¹				CONTINUED →
Gross Cooling Capacity Btu [kW]	59,000 [17.29]	59,000 [17.29]	59,000 [17.29]	59,000 [17.29]
SEER ²	15	15	15	15
EER (1st stage / 2nd stage)	19.9/11.6	19.9/11.6	19.9/11.6	19.9/11.6
AHRI Rated CFM (1st / 2nd stage) [L/s]	1375 / 1800 [649 / 849]	1375 / 1800 [649 / 849]	1375 / 1800 [649 / 849]	1375 / 1800 [649 / 849]
AHRI Net Cooling Capacity (1st / 2nd stage) Btu [kW]	49,000 / 57,000 [14.3/16.7]	49,000 / 57,000 [14.3/16.7]	49,000 / 57,000 [14.3/16.7]	49,000 / 57,000 [14.3/16.7]
Net Sensible Capacity (1st / 2nd stage) Btu [kW]	34,800 / 40,800 [10.2/12.0]	34,800 / 40,800 [10.2/12.0]	34,800 / 40,800 [10.2/12.0]	34,800 / 40,800 [10.2/12.0]
Net Latent Capacity (1st / 2nd stage) Btu [kW]	14,200 / 16,200 [4.2 / 4.8]	14,200 / 16,200 [4.2 / 4.8]	14,200 / 16,200 [4.2 / 4.8]	14,200 / 16,200 [4.2 / 4.8]
Net System Power (1st / 2nd stage) [kW]	2.1 / 4.8	2.1 / 4.8	2.1 / 4.8	2.1 / 4.8
Compressor				
No./Type	1/Scroll	1/Scroll	1/Scroll	1/Scroll
Outdoor Sound Rating (dB)³	83	83	83	83
Outdoor Coil—Fin Type	Louvered	Louvered	Louvered	Louvered
Tube Type	MicroChannel	MicroChannel	MicroChannel	MicroChannel
Tube Size in. [mm] OD	0.7 [18]	0.7 [18]	0.7 [18]	0.7 [18]
Face Area sq. ft. [sq. m]	16.4 [1.52]	16.4 [1.52]	16.4 [1.52]	16.4 [1.52]
Rows / FPI [FPcm]	1 / 23 [9]	1 / 23 [9]	1 / 23 [9]	1 / 23 [9]
Indoor Coil—Fin Type	Louvered	Louvered	Louvered	Louvered
Tube Type	MicroChannel	MicroChannel	MicroChannel	MicroChannel
Tube Size in. [mm] OD	1.3 [32]	1.3 [32]	1.3 [32]	1.3 [32]
Face Area sq. ft. [sq. m]	4.8 [0.45]	4.8 [0.45]	4.8 [0.45]	4.8 [0.45]
Rows / FPI [FPcm]	1 / 20 [8]	1 / 20 [8]	1 / 20 [8]	1 / 20 [8]
Refrigerant Control	TX Valves	TX Valves	TX Valves	TX Valves
Drain Connection No./Size in. [mm]	1/0.75 [19.05]	1/0.75 [19.05]	1/0.75 [19.05]	1/0.75 [19.05]
Outdoor Fan—Type	Propeller	Propeller	Propeller	Propeller
No. Used/Diameter in. [mm]	1/24 [609.6]	1/24 [609.6]	1/24 [609.6]	1/24 [609.6]
Drive Type/No. Speeds	Direct/1	Direct/1	Direct/1	Direct/1
CFM [L/s]	3930 [1855]	3930 [1855]	3930 [1855]	3930 [1855]
No. Motors/HP	1 at 1/3 HP	1 at 1/3 HP	1 at 1/3 HP	1 at 1/3 HP
Motor RPM	1075	1075	1075	1075
Indoor Fan—Type	FC Centrifugal	FC Centrifugal	FC Centrifugal	FC Centrifugal
No. Used/Diameter in. [mm]	1/10x10 [254x254]	1/11x10 [279x254]	1/11x10 [279x254]	1/11x10 [279x254]
Drive Type	Direct	Direct	Direct	Direct
No. Speeds	Multiple	Variable	Multiple	Variable
No. Motors	1	1	1	1
Motor HP	1	1	1	1
Motor RPM	1075	1075	1075	1075
Motor Frame Size	48	48	48	48
Filter—Type	Disposable	Disposable	Disposable	Disposable
Furnished	Yes	Yes	Yes	Yes
(NO.) Size Recommended in. [mm x mm x mm]	(1)1x16x25 [25x406x635] (1)1x16x25 [25x406x635]	(1)1x16x25 [25x406x635] (1)1x16x25 [25x406x635]	(1)1x16x25 [25x406x635] (1)1x16x25 [25x406x635]	(1)1x16x25 [25x406x635] (1)1x16x25 [25x406x635]
Refrigerant Charge Oz. [g]	63 [1786]	63 [1786]	63 [1786]	63 [1786]
Weights				
Net Weight lbs. [kg]	481 [218]	493 [224]	481 [218]	549 [249]
Ship Weight lbs. [kg]	488 [221]	500 [227]	488 [221]	556 [252]

See Page 22 for Notes.

[] Designates Metric Conversions

NOMINAL SIZES 3-5 TONS [10.6-17.6 kW]

Model RLQN- Series	A060JK
Cooling Performance¹	
Gross Cooling Capacity Btu [kW]	59,000 [17.29]
SEER ²	15
EER (1st stage / 2nd stage)	19.9/11.6
AHRI Rated CFM (1st / 2nd stage) [L/s]	1375 / 1800 [649 / 849]
AHRI Net Cooling Capacity (1st / 2nd stage) Btu [kW]	49,000 / 57,000 [14.3/16.7]
Net Sensible Capacity (1st / 2nd stage) Btu [kW]	34,800 / 40,800 [10.2/12.0]
Net Latent Capacity (1st / 2nd stage) Btu [kW]	14,200 / 16,200 [4.2 / 4.8]
Net System Power (1st / 2nd stage) [kW]	2.1 / 4.8
Compressor	
No./Type	1/Scroll
Outdoor Sound Rating (dB)³	
	83
Outdoor Coil—Fin Type	
Tube Type	Louvered
Tube Type	MicroChannel
Tube Size in. [mm] OD	0.7 [18]
Face Area sq. ft. [sq. m]	16.4 [1.52]
Rows / FPI [FPcm]	1 / 23 [9]
Indoor Coil—Fin Type	
Tube Type	Louvered
Tube Type	MicroChannel
Tube Size in. [mm] OD	1.3 [32]
Face Area sq. ft. [sq. m]	4.8 [0.45]
Rows / FPI [FPcm]	1 / 20 [8]
Refrigerant Control	TX Valves
Drain Connection No./Size in. [mm]	1/0.75 [19.05]
Outdoor Fan—Type	
	Propeller
No. Used/Diameter in. [mm]	1/24 [609.6]
Drive Type/No. Speeds	Direct/1
CFM [L/s]	3930 [1855]
No. Motors/HP	1 at 1/3 HP
Motor RPM	1075
Indoor Fan—Type	
	FC Centrifugal
No. Used/Diameter in. [mm]	1/10x10 [254x254]
Drive Type	Direct
No. Speeds	Multiple
No. Motors	1
Motor HP	1
Motor RPM	1075
Motor Frame Size	48
Filter—Type	
	Disposable
Furnished	Yes
(NO.) Size Recommended in. [mm x mm x mm]	(1)1x16x25 [25x406x635]
	(1)1x16x25 [25x406x635]
Refrigerant Charge Oz. [g]	
	63 [1786]
Weights	
Net Weight lbs. [kg]	481 [218]
Ship Weight lbs. [kg]	488 [221]

See Page 22 for Notes.

[] Designates Metric Conversions

NOTES:

1. Cooling Performance is rated at 95° F ambient, 80° F entering dry bulb, 67° F entering wet bulb. Gross capacity does not include the effect of fan motor heat. AHRI capacity is net and includes the effect of fan motor heat. Units are suitable for operation to $\pm 20\%$ of nominal CFM. Units are certified in accordance with the Unitary Air Conditioner Equipment certification program, which is based on AHRI Standard 210/240 or 360.
2. EER and/or SEER are rated at AHRI conditions and in accordance with DOE test procedures.
3. Outdoor Sound Rating shown is tested in accordance with AHRI Standard 270.



GROSS SYSTEMS PERFORMANCE DATA—RLPN-A036

ENTERING INDOOR AIR @ 80°F [26.7°C] dbE ①											
wbE		71°F [21.7°C]			67°F [19.4°C]			63°F [17.2°C]			
CFM [L/s]		1375 [649]	1250 [590]	1062 [501]	1375 [649]	1250 [590]	1062 [501]	1375 [649]	1250 [590]	1062 [501]	
DR ①		0.2	0.18	0.15	0.2	0.18	0.15	0.2	0.18	0.15	
OUTDOOR DRY BULB TEMPERATURE °F [°C]	75 [23.9]	Total BTUH [kW]	45.1 [13.2]	44.3 [13.0]	43.1 [12.6]	42.4 [12.4]	41.6 [12.2]	40.5 [11.9]	39.9 [11.7]	39.2 [11.5]	38.1 [11.2]
		Sens BTUH [kW]	26.6 [7.8]	25.4 [7.5]	23.6 [6.9]	31.1 [9.1]	29.7 [8.7]	27.6 [8.1]	34.8 [10.2]	33.2 [9.7]	30.9 [9.1]
		Power	2.0	2.0	2.0	2.0	2.0	1.9	2.0	1.9	1.9
	80 [26.7]	Total BTUH [kW]	43.7 [12.8]	42.9 [12.6]	41.8 [12.2]	41.0 [12.0]	40.3 [11.8]	39.2 [11.5]	38.6 [11.3]	37.9 [11.1]	36.8 [10.8]
		Sens BTUH [kW]	26.0 [7.6]	24.8 [7.3]	23.1 [6.8]	30.4 [8.9]	29.0 [8.5]	27.0 [7.9]	34.1 [10.0]	32.6 [9.6]	30.3 [8.9]
		Power	2.1	2.1	2.1	2.1	2.1	2.0	2.1	2.1	2.0
	85 [29.4]	Total BTUH [kW]	42.4 [12.4]	41.6 [12.2]	40.5 [11.9]	39.7 [11.6]	38.9 [11.4]	37.9 [11.1]	37.2 [10.9]	36.5 [10.7]	35.5 [10.4]
		Sens BTUH [kW]	25.3 [7.4]	24.1 [7.1]	22.5 [6.6]	29.7 [8.7]	28.4 [8.3]	26.4 [7.7]	33.5 [9.8]	32.0 [9.4]	29.7 [8.7]
		Power	2.2	2.2	2.2	2.2	2.2	2.2	2.2	2.2	2.1
	90 [32.2]	Total BTUH [kW]	41.0 [12.0]	40.3 [11.8]	39.2 [11.5]	38.3 [11.2]	37.6 [11.0]	36.6 [10.7]	35.8 [10.5]	35.2 [10.3]	34.2 [10.0]
Sens BTUH [kW]		24.5 [7.2]	23.5 [6.9]	21.8 [6.4]	29.0 [8.5]	27.7 [8.1]	25.8 [7.5]	32.7 [9.6]	31.3 [9.2]	29.1 [8.5]	
Power		2.4	2.3	2.3	2.3	2.3	2.3	2.3	2.3	2.3	
95 [35]	Total BTUH [kW]	39.6 [11.6]	38.9 [11.4]	37.9 [11.1]	36.9 [10.8]	36.3 [10.6]	35.3 [10.3]	34.5 [10.1]	33.9 [9.9]	32.9 [9.7]	
	Sens BTUH [kW]	23.8 [7.0]	22.7 [6.7]	21.1 [6.2]	28.2 [8.3]	27.0 [7.9]	25.1 [7.3]	32.0 [9.4]	30.5 [9.0]	28.4 [8.3]	
	Power	2.5	2.5	2.4	2.5	2.5	2.4	2.5	2.4	2.4	
100 [37.8]	Total BTUH [kW]	38.3 [11.2]	37.6 [11.0]	36.6 [10.7]	35.6 [10.4]	34.9 [10.2]	34.0 [10.0]	33.1 [9.7]	32.5 [9.5]	31.6 [9.3]	
	Sens BTUH [kW]	23.0 [6.7]	22.0 [6.4]	20.4 [6.0]	27.4 [8.0]	26.2 [7.7]	24.4 [7.1]	31.2 [9.1]	29.8 [8.7]	27.7 [8.1]	
	Power	2.6	2.6	2.6	2.6	2.6	2.6	2.6	2.6	2.5	
105 [40.6]	Total BTUH [kW]	36.9 [10.8]	36.3 [10.6]	35.3 [10.3]	34.2 [10.0]	33.6 [9.8]	32.7 [9.6]	31.8 [9.3]	31.2 [9.1]	30.3 [8.9]	
	Sens BTUH [kW]	22.2 [6.5]	21.2 [6.2]	19.7 [5.8]	26.6 [7.8]	25.4 [7.4]	23.6 [6.9]	30.3 [8.9]	29.0 [8.5]	27.0 [7.9]	
	Power	2.8	2.8	2.7	2.8	2.8	2.7	2.8	2.7	2.7	
110 [43.3]	Total BTUH [kW]	35.5 [10.4]	34.9 [10.2]	34.0 [9.9]	32.8 [9.6]	32.2 [9.4]	31.4 [9.2]	30.4 [8.9]	29.8 [8.7]	29.0 [8.5]	
	Sens BTUH [kW]	21.3 [6.2]	20.3 [6.0]	18.9 [5.5]	25.7 [7.5]	24.6 [7.2]	22.9 [6.7]	29.5 [8.6]	28.2 [8.3]	26.2 [7.7]	
	Power	3.0	2.9	2.9	2.9	2.9	2.9	2.9	2.9	2.8	
115 [46.1]	Total BTUH [kW]	34.2 [10.0]	33.6 [9.8]	32.6 [9.6]	31.5 [9.2]	30.9 [9.1]	30.1 [8.8]	29.0 [8.5]	28.5 [8.3]	27.7 [8.1]	
	Sens BTUH [kW]	20.4 [6.0]	19.5 [5.7]	18.1 [5.3]	24.8 [7.3]	23.7 [7.0]	22.1 [6.5]	28.6 [8.4]	27.3 [8.0]	25.4 [7.4]	
	Power	3.1	3.1	3.0	3.1	3.1	3.0	3.1	3.0	3.0	
120 [48.9]	Total BTUH [kW]	32.8 [9.6]	32.2 [9.4]	31.3 [9.2]	30.1 [8.8]	29.5 [8.7]	28.7 [8.4]	27.6 [8.1]	27.1 [8.0]	26.4 [7.7]	
	Sens BTUH [kW]	19.4 [5.7]	18.6 [5.4]	17.3 [5.1]	23.9 [7.0]	22.8 [6.7]	21.2 [6.2]	27.6 [8.1]	26.4 [7.7]	24.5 [7.2]	
	Power	3.3	3.3	3.2	3.3	3.2	3.2	3.2	3.2	3.2	
125 [51.7]	Total BTUH [kW]	31.4 [9.2]	30.9 [9.0]	30.0 [8.8]	28.7 [8.4]	28.2 [8.3]	27.4 [8.0]	26.3 [7.7]	25.8 [7.6]	25.1 [7.4]	
	Sens BTUH [kW]	18.5 [5.4]	17.6 [5.2]	16.4 [4.8]	22.9 [6.7]	21.9 [6.4]	20.4 [6.0]	26.3 [7.7]	25.5 [7.5]	23.7 [6.9]	
	Power	3.5	3.4	3.4	3.4	3.4	3.4	3.4	3.4	3.3	

DR —Depression ratio
dbE —Entering air dry bulb
wbE —Entering air wet bulb

Total —Total capacity x 1000 BTUH
Sens —Sensible capacity x 1000 BTUH
Power —KW input

NOTES: ① When the entering air dry bulb is other than 80°F [27°C], adjust the sensible capacity from the table by adding [1.10 x CFM x (1 - DR) x (dbE - 80)].

[] Designates Metric Conversions



GROSS SYSTEMS PERFORMANCE DATA—RLPN-A048

		ENTERING INDOOR AIR @ 80°F [26.7°C] dbE ①									
wbE		71°F [21.7°C]			67°F [19.4°C]			63°F [17.2°C]			
CFM [L/s]		1650 [779]	1500 [708]	1275 [602]	1650 [779]	1500 [708]	1275 [602]	1650 [779]	1500 [708]	1275 [602]	
DR ①		0.1	0.08	0.05	0.1	0.08	0.05	0.1	0.08	0.05	
OUTDOOR DRY BULB TEMPERATURE °F [°C]	75 [23.9]	Total BTUH [kW] Sens BTUH [kW] Power	58.2 [17.1] 34.7 [10.2] 2.7	57.2 [16.8] 33.1 [9.7] 2.7	55.6 [16.3] 30.8 [9.0] 2.6	55.4 [16.2] 40.9 [12.0] 2.7	54.4 [15.9] 39.1 [11.5] 2.6	52.9 [15.5] 36.4 [10.7] 2.6	52.3 [15.3] 45.8 [13.4] 2.7	51.4 [15.1] 43.8 [12.8] 2.6	50.0 [14.6] 40.7 [11.9] 2.6
	80 [26.7]	Total BTUH [kW] Sens BTUH [kW] Power	56.7 [16.6] 34.0 [10.0] 2.8	55.7 [16.3] 32.4 [9.5] 2.8	54.1 [15.9] 30.2 [8.8] 2.8	53.8 [15.8] 40.2 [11.8] 2.8	52.9 [15.5] 38.4 [11.3] 2.8	51.4 [15.1] 35.7 [10.5] 2.8	50.8 [14.9] 45.1 [13.2] 2.8	49.9 [14.6] 43.1 [12.6] 2.8	48.5 [14.2] 40.1 [11.7] 2.7
	85 [29.4]	Total BTUH [kW] Sens BTUH [kW] Power	55.1 [16.1] 33.2 [9.7] 3.0	54.1 [15.9] 31.7 [9.3] 3.0	52.6 [15.4] 29.5 [8.6] 2.9	52.3 [15.3] 39.5 [11.6] 3.0	51.3 [15.0] 37.7 [11.1] 2.9	49.9 [14.6] 35.1 [10.3] 2.9	49.2 [14.4] 44.4 [13.0] 3.0	48.3 [14.2] 42.4 [12.4] 2.9	47.0 [13.8] 39.4 [11.6] 2.9
	90 [32.2]	Total BTUH [kW] Sens BTUH [kW] Power	53.5 [15.7] 32.4 [9.5] 3.2	52.5 [15.4] 31.0 [9.1] 3.1	51.1 [15.0] 28.8 [8.4] 3.1	50.7 [14.8] 38.7 [11.3] 3.1	49.8 [14.6] 37.0 [10.8] 3.1	48.4 [14.2] 34.4 [10.1] 3.1	47.6 [14.0] 43.6 [12.8] 3.1	46.8 [13.7] 41.6 [12.2] 3.1	45.5 [13.3] 38.7 [11.3] 3.1
	95 [35]	Total BTUH [kW] Sens BTUH [kW] Power	51.9 [15.2] 31.6 [9.3] 3.3	50.9 [14.9] 30.2 [8.8] 3.3	49.5 [14.5] 28.1 [8.2] 3.3	49.0 [14.4] 37.8 [11.1] 3.3	48.1 [14.1] 36.1 [10.6] 3.3	46.8 [13.7] 33.6 [9.9] 3.3	46.0 [13.5] 42.7 [12.5] 3.3	45.2 [13.2] 40.8 [12.0] 3.3	43.9 [12.9] 38.0 [11.1] 3.2
	100 [37.8]	Total BTUH [kW] Sens BTUH [kW] Power	50.2 [14.7] 30.7 [9.0] 3.5	49.3 [14.4] 29.3 [8.6] 3.5	47.9 [14.0] 27.3 [8.0] 3.5	47.3 [13.9] 36.9 [10.8] 3.5	46.5 [13.6] 35.3 [10.3] 3.5	45.2 [13.3] 32.8 [9.6] 3.5	44.3 [13.0] 41.8 [12.3] 3.5	43.5 [12.7] 40.0 [11.7] 3.5	42.3 [12.4] 37.2 [10.9] 3.4
	105 [40.6]	Total BTUH [kW] Sens BTUH [kW] Power	48.4 [14.2] 29.8 [8.7] 3.8	47.6 [13.9] 28.4 [8.3] 3.7	46.3 [13.6] 26.4 [7.7] 3.7	45.6 [13.4] 36.0 [10.6] 3.7	44.8 [13.1] 34.4 [10.1] 3.7	43.6 [12.8] 32.0 [9.4] 3.7	42.6 [12.5] 40.9 [12.0] 3.7	41.8 [12.2] 39.1 [11.5] 3.7	40.7 [11.9] 36.3 [10.7] 3.7
	110 [43.3]	Total BTUH [kW] Sens BTUH [kW] Power	46.7 [13.7] 28.8 [8.4] 4.0	45.8 [13.4] 27.5 [8.1] 4.0	44.6 [13.1] 25.6 [7.5] 3.9	43.8 [12.8] 35.0 [10.3] 4.0	43.1 [12.6] 33.5 [9.8] 3.9	41.9 [12.3] 31.1 [9.1] 3.9	40.8 [12.0] 39.9 [11.7] 4.0	40.1 [11.7] 38.1 [11.2] 3.9	39.0 [11.4] 35.5 [10.4] 3.9
	115 [46.1]	Total BTUH [kW] Sens BTUH [kW] Power	44.9 [13.1] 27.7 [8.1] 4.2	44.1 [12.9] 26.5 [7.8] 4.2	42.9 [12.6] 24.7 [7.2] 4.1	42.0 [12.3] 34.0 [10.0] 4.2	41.3 [12.1] 32.5 [9.5] 4.2	40.2 [11.8] 30.2 [8.9] 4.1	39.0 [11.4] 38.9 [11.4] 4.2	38.3 [11.2] 37.2 [10.9] 4.2	37.3 [10.9] 34.6 [10.1] 4.1
	120 [48.9]	Total BTUH [kW] Sens BTUH [kW] Power	43.0 [12.6] 26.7 [7.8] 4.5	42.3 [12.4] 25.5 [7.5] 4.5	41.1 [12.0] 23.7 [6.9] 4.4	40.2 [11.8] 32.9 [9.6] 4.5	39.5 [11.6] 31.5 [9.2] 4.4	38.4 [11.3] 29.3 [8.6] 4.4	37.1 [10.9] 37.1 [10.9] 4.5	36.5 [10.7] 36.1 [10.6] 4.4	35.5 [10.4] 33.6 [9.8] 4.4
125 [51.7]	Total BTUH [kW] Sens BTUH [kW] Power	41.1 [12.1] 25.5 [7.5] 4.8	40.4 [11.8] 24.4 [7.2] 4.7	39.3 [11.5] 22.7 [6.7] 4.7	38.3 [11.2] 31.8 [9.3] 4.8	37.6 [11.0] 30.4 [8.9] 4.7	36.6 [10.7] 28.3 [8.3] 4.7	35.3 [10.3] 35.3 [10.3] 4.7	34.6 [10.2] 34.6 [10.2] 4.7	33.7 [9.9] 32.6 [9.6] 4.6	

DR —Depression ratio
dbE —Entering air dry bulb
wbE—Entering air wet bulb

Total —Total capacity x 1000 BTUH
Sens —Sensible capacity x 1000 BTUH
Power —kW input

NOTES: ① When the entering air dry bulb is other than 80°F [27°C], adjust the sensible capacity from the table by adding [1.10 x CFM x (1 – DR) x (dbE – 80)].

[] Designates Metric Conversions





GROSS SYSTEMS PERFORMANCE DATA—RLPN-A060

		ENTERING INDOOR AIR @ 80°F [26.7°C] dbE ①									
wbE		71°F [21.7°C]			67°F [19.4°C]			63°F [17.2°C]			
CFM [L/s]		1980 [934]	1800 [850]	1530 [722]	1980 [934]	1800 [850]	1530 [722]	1980 [934]	1800 [850]	1530 [722]	
DR ①		0.13	0.12	0.09	0.13	0.12	0.09	0.13	0.12	0.09	
OUTDOOR DRY BULB TEMPERATURE °F [°C]	75 [23.9]	Total BTUH [kW] Sens BTUH [kW] Power	72.0 [21.1] 41.1 [12.0] 3.7	70.7 [20.7] 39.2 [11.5] 3.6	68.8 [20.1] 36.5 [10.7] 3.6	68.2 [20.0] 48.6 [14.2] 3.6	67.0 [19.6] 46.4 [13.6] 3.6	65.2 [19.1] 43.2 [12.6] 3.5	64.8 [19.0] 55.7 [16.3] 3.6	63.6 [18.6] 53.2 [15.6] 3.6	61.9 [18.1] 49.5 [14.5] 3.5
	80 [26.7]	Total BTUH [kW] Sens BTUH [kW] Power	70.4 [20.6] 40.4 [11.8] 3.9	69.1 [20.3] 38.6 [11.3] 3.8	67.2 [19.7] 35.9 [10.5] 3.8	66.6 [19.5] 47.9 [14.0] 3.8	65.4 [19.2] 45.8 [13.4] 3.8	63.7 [18.7] 42.6 [12.5] 3.7	63.2 [18.5] 55.1 [16.1] 3.8	62.1 [18.2] 52.6 [15.4] 3.8	60.4 [17.7] 48.9 [14.3] 3.7
	85 [29.4]	Total BTUH [kW] Sens BTUH [kW] Power	68.7 [20.1] 39.6 [11.6] 4.1	67.5 [19.8] 37.9 [11.1] 4.0	65.6 [19.2] 35.2 [10.3] 4.0	64.9 [19.0] 47.1 [13.8] 4.0	63.8 [18.7] 45.0 [13.2] 4.0	62.0 [18.2] 41.9 [12.3] 4.0	61.5 [18.0] 54.3 [15.9] 4.0	60.4 [17.7] 51.9 [15.2] 4.0	58.8 [17.2] 48.2 [14.1] 3.9
	90 [32.2]	Total BTUH [kW] Sens BTUH [kW] Power	66.9 [19.6] 38.8 [11.4] 4.3	65.7 [19.3] 37.0 [10.9] 4.3	63.9 [18.7] 34.5 [10.1] 4.2	63.1 [18.5] 46.3 [13.6] 4.3	62.0 [18.2] 44.2 [13.0] 4.2	60.3 [17.7] 41.1 [12.1] 4.2	59.7 [17.5] 53.4 [15.7] 4.2	58.6 [17.2] 51.1 [15.0] 4.2	57.0 [16.7] 47.5 [13.9] 4.1
	95 [35]	Total BTUH [kW] Sens BTUH [kW] Power	65.0 [19.0] 37.8 [11.1] 4.5	63.8 [18.7] 36.2 [10.6] 4.5	62.1 [18.2] 33.6 [9.9] 4.4	61.2 [17.9] 45.4 [13.3] 4.5	60.1 [17.6] 43.3 [12.7] 4.5	58.5 [17.1] 40.3 [11.8] 4.4	57.8 [16.9] 52.5 [15.4] 4.5	56.8 [16.6] 50.2 [14.7] 4.4	55.2 [16.2] 46.7 [13.7] 4.4
	100 [37.8]	Total BTUH [kW] Sens BTUH [kW] Power	63.0 [18.5] 36.8 [10.8] 4.8	61.9 [18.1] 35.2 [10.3] 4.8	60.2 [17.6] 32.7 [9.6] 4.7	59.2 [17.4] 44.3 [13.0] 4.8	58.2 [17.0] 42.4 [12.4] 4.7	56.6 [16.6] 39.4 [11.5] 4.7	55.8 [16.3] 51.5 [15.1] 4.7	54.8 [16.1] 49.2 [14.4] 4.7	53.3 [15.6] 45.8 [13.4] 4.6
	105 [40.6]	Total BTUH [kW] Sens BTUH [kW] Power	60.9 [17.8] 35.7 [10.5] 5.1	59.8 [17.5] 34.1 [10.0] 5.0	58.1 [17.0] 31.7 [9.3] 5.0	57.1 [16.7] 43.2 [12.7] 5.0	56.1 [16.4] 41.3 [12.1] 5.0	54.5 [16.0] 38.4 [11.3] 4.9	53.7 [15.7] 50.4 [14.8] 5.0	52.7 [15.4] 48.1 [14.1] 5.0	51.3 [15.0] 44.8 [13.1] 4.9
	110 [43.3]	Total BTUH [kW] Sens BTUH [kW] Power	58.6 [17.2] 34.5 [10.1] 5.3	57.6 [16.9] 33.0 [9.7] 5.3	56.0 [16.4] 30.7 [9.0] 5.2	54.9 [16.1] 42.0 [12.3] 5.3	53.9 [15.8] 40.2 [11.8] 5.3	52.4 [15.4] 37.4 [10.9] 5.2	51.4 [15.1] 49.2 [14.4] 5.3	50.5 [14.8] 47.0 [13.8] 5.2	49.1 [14.4] 43.7 [12.8] 5.2
	115 [46.1]	Total BTUH [kW] Sens BTUH [kW] Power	56.3 [16.5] 33.2 [9.7] 5.6	55.3 [16.2] 31.8 [9.3] 5.6	53.8 [15.8] 29.5 [8.7] 5.5	52.5 [15.4] 40.8 [11.9] 5.6	51.6 [15.1] 38.9 [11.4] 5.6	50.2 [14.7] 36.2 [10.6] 5.5	49.1 [14.4] 47.9 [14.0] 5.6	48.2 [14.1] 45.8 [13.4] 5.5	46.9 [13.7] 42.6 [12.5] 5.5
	120 [48.9]	Total BTUH [kW] Sens BTUH [kW] Power	53.8 [15.8] 31.9 [9.3] 6.0	52.9 [15.5] 30.5 [8.9] 5.9	51.4 [15.1] 28.3 [8.3] 5.8	50.1 [14.7] 39.4 [11.5] 5.9	49.2 [14.4] 37.6 [11.0] 5.9	47.8 [14.0] 35.0 [10.3] 5.8	46.6 [13.7] 46.6 [13.6] 5.9	45.8 [13.4] 44.5 [13.0] 5.8	44.6 [13.1] 41.4 [12.1] 5.8
125 [51.7]	Total BTUH [kW] Sens BTUH [kW] Power	51.3 [15.0] 30.4 [8.9] 6.3	50.4 [14.8] 29.1 [8.5] 6.2	49.0 [14.4] 27.0 [7.9] 6.1	47.5 [13.9] 38.0 [11.1] 6.3	46.7 [13.7] 36.3 [10.6] 6.2	45.4 [13.3] 33.7 [9.9] 6.1	44.1 [12.9] 44.1 [12.9] 6.2	43.3 [12.7] 43.1 [12.6] 6.2	42.1 [12.3] 40.1 [11.7] 6.1	

DR —Depression ratio
dbE —Entering air dry bulb
wbE —Entering air wet bulb

Total —Total capacity x 1000 BTUH
Sens —Sensible capacity x 1000 BTUH
Power —KW input

NOTES: ① When the entering air dry bulb is other than 80°F [27°C], adjust the sensible capacity from the table by adding [1.10 x CFM x (1 - DR) x (dbE - 80)].

[] Designates Metric Conversions



GROSS SYSTEMS PERFORMANCE DATA—RLQN-A036

ENTERING INDOOR AIR @ 80°F [26.7°C] dbE ①											
wbE		71°F [21.7°C]			67°F [19.4°C]			63°F [17.2°C]			
CFM [L/s]		1375 [649]	1250 [590]	1062 [501]	1375 [649]	1250 [590]	1062 [501]	1375 [649]	1250 [590]	1062 [501]	
DR ①		0.19	0.17	0.14	0.19	0.17	0.14	0.19	0.17	0.14	
OUTDOOR DRY BULB TEMPERATURE °F [°C]	75 [23.9]	Total BTUH [kW] Sens BTUH [kW] Power	44.3 [13.0] 25.8 [7.6] 2.0	43.6 [12.8] 24.7 [7.2] 2.0	42.4 [12.4] 22.9 [6.7] 2.0	41.9 [12.3] 30.7 [9.0] 2.0	41.1 [12.1] 29.3 [8.6] 2.0	40.0 [11.7] 27.2 [8.0] 2.0	39.8 [11.7] 34.6 [10.1] 2.0	39.1 [11.5] 33.1 [9.7] 2.0	38.0 [11.1] 30.7 [9.0] 1.9
	80 [26.7]	Total BTUH [kW] Sens BTUH [kW] Power	43.2 [12.7] 25.3 [7.4] 2.1	42.4 [12.4] 24.2 [7.1] 2.1	41.2 [12.1] 22.5 [6.6] 2.1	40.7 [11.9] 30.1 [8.8] 2.1	40.0 [11.7] 28.8 [8.4] 2.1	38.9 [11.4] 26.8 [7.8] 2.1	38.6 [11.3] 34.1 [10.0] 2.1	37.9 [11.1] 32.6 [9.5] 2.1	36.9 [10.8] 30.3 [8.9] 2.1
	85 [29.4]	Total BTUH [kW] Sens BTUH [kW] Power	42.0 [12.3] 24.7 [7.2] 2.2	41.2 [12.1] 23.6 [6.9] 2.2	40.1 [11.7] 22.0 [6.4] 2.2	39.5 [11.6] 29.6 [8.7] 2.2	38.8 [11.4] 28.3 [8.3] 2.2	37.7 [11.1] 26.3 [7.7] 2.2	37.4 [11.0] 33.5 [9.8] 2.2	36.7 [10.8] 32.0 [9.4] 2.2	35.7 [10.5] 29.8 [8.7] 2.2
	90 [32.2]	Total BTUH [kW] Sens BTUH [kW] Power	40.7 [11.9] 24.1 [7.1] 2.4	40.0 [11.7] 23.1 [6.8] 2.3	38.9 [11.4] 21.4 [6.3] 2.3	38.2 [11.2] 29.0 [8.5] 2.3	37.6 [11.0] 27.7 [8.1] 2.3	36.5 [10.7] 25.8 [7.5] 2.3	36.2 [10.6] 32.9 [9.7] 2.3	35.5 [10.4] 31.5 [9.2] 2.3	34.5 [10.1] 29.3 [8.6] 2.3
	95 [35]	Total BTUH [kW] Sens BTUH [kW] Power	39.4 [11.6] 23.5 [6.9] 2.5	38.7 [11.3] 22.5 [6.6] 2.5	37.7 [11.0] 20.9 [6.1] 2.4	36.9 [10.8] 28.4 [8.3] 2.5	36.3 [10.6] 27.1 [7.9] 2.5	35.3 [10.3] 25.2 [7.4] 2.4	34.9 [10.2] 32.3 [9.5] 2.5	34.3 [10.0] 30.9 [9.0] 2.4	33.3 [9.8] 28.7 [8.4] 2.4
	100 [37.8]	Total BTUH [kW] Sens BTUH [kW] Power	38.1 [11.2] 22.8 [6.7] 2.6	37.4 [11.0] 21.8 [6.4] 2.6	36.4 [10.7] 20.3 [5.9] 2.6	35.6 [10.4] 27.7 [8.1] 2.6	35.0 [10.3] 26.4 [7.7] 2.6	34.0 [10.0] 24.6 [7.2] 2.6	33.5 [9.8] 31.6 [9.3] 2.6	32.9 [9.7] 30.2 [8.9] 2.6	32.0 [9.4] 28.1 [8.2] 2.6
	105 [40.6]	Total BTUH [kW] Sens BTUH [kW] Power	36.7 [10.8] 22.1 [6.5] 2.8	36.1 [10.6] 21.1 [6.2] 2.8	35.1 [10.3] 19.7 [5.8] 2.7	34.3 [10.0] 27.0 [7.9] 2.8	33.6 [9.9] 25.8 [7.6] 2.7	32.7 [9.6] 24.0 [7.0] 2.7	32.2 [9.4] 30.9 [9.1] 2.8	31.6 [9.3] 29.5 [8.7] 2.7	30.7 [9.0] 27.5 [8.0] 2.7
	110 [43.3]	Total BTUH [kW] Sens BTUH [kW] Power	35.3 [10.4] 21.4 [6.3] 2.9	34.7 [10.2] 20.4 [6.0] 2.9	33.7 [9.9] 19.0 [5.6] 2.9	32.9 [9.6] 26.2 [7.7] 2.9	32.3 [9.5] 25.0 [7.3] 2.9	31.4 [9.2] 23.3 [6.8] 2.9	30.8 [9.0] 30.2 [8.8] 2.9	30.2 [8.9] 28.8 [8.4] 2.9	29.4 [8.6] 26.8 [7.9] 2.9
	115 [46.1]	Total BTUH [kW] Sens BTUH [kW] Power	33.9 [9.9] 20.6 [6.0] 3.1	33.3 [9.8] 19.7 [5.8] 3.1	32.4 [9.5] 18.3 [5.4] 3.0	31.4 [9.2] 25.4 [7.5] 3.1	30.8 [9.0] 24.3 [7.1] 3.1	30.0 [8.8] 22.6 [6.6] 3.0	29.3 [8.6] 29.3 [8.6] 3.1	28.8 [8.4] 28.1 [8.2] 3.1	28.0 [8.2] 26.1 [7.6] 3.0
	120 [48.9]	Total BTUH [kW] Sens BTUH [kW] Power	32.4 [9.5] 19.8 [5.8] 3.3	31.8 [9.3] 18.9 [5.5] 3.3	31.0 [9.1] 17.6 [5.1] 3.2	29.9 [8.8] 24.6 [7.2] 3.3	29.4 [8.6] 23.5 [6.9] 3.2	28.6 [8.4] 21.9 [6.4] 3.2	27.9 [8.2] 27.9 [8.2] 3.3	27.4 [8.0] 27.3 [8.0] 3.2	26.6 [7.8] 25.4 [7.4] 3.2
125 [51.7]	Total BTUH [kW] Sens BTUH [kW] Power	30.9 [9.1] 18.9 [5.5] 3.5	30.3 [8.9] 18.1 [5.3] 3.4	29.5 [8.6] 16.8 [4.9] 3.4	28.4 [8.3] 23.7 [7.0] 3.5	27.9 [8.2] 22.7 [6.6] 3.4	27.1 [8.0] 21.1 [6.2] 3.4	26.3 [7.7] 26.3 [7.7] 3.4	25.9 [7.6] 25.9 [7.6] 3.4	25.2 [7.4] 24.6 [7.2] 3.4	

DR —Depression ratio
dbE —Entering air dry bulb
wbE—Entering air wet bulb

Total —Total capacity x 1000 BTUH
Sens —Sensible capacity x 1000 BTUH
Power—KW input

NOTES: ① When the entering air dry bulb is other than 80°F [27°C], adjust the sensible capacity from the table by adding [1.10 x CFM x (1 – DR) x (dbE – 80)].

[] Designates Metric Conversions





GROSS SYSTEMS PERFORMANCE DATA—RLQN-A048

ENTERING INDOOR AIR @ 80°F [26.7°C] dbE ①											
wbE		71°F [21.7°C]			67°F [19.4°C]			63°F [17.2°C]			
CFM [L/s]		1760 [831]	1600 [755]	1360 [642]	1760 [831]	1600 [755]	1360 [642]	1760 [831]	1600 [755]	1360 [642]	
DR ①		0.11	0.09	0.05	0.11	0.09	0.05	0.11	0.09	0.05	
OUTDOOR DRY BULB TEMPERATURE °F [°C]	75 [23.9]	Total BTUH [kW] Sens BTUH [kW] Power	57.9 [17.0] 34.8 [10.2] 2.7	56.9 [16.7] 33.2 [9.7] 2.7	55.3 [16.2] 30.9 [9.1] 2.6	55.0 [16.1] 41.4 [12.1] 2.7	54.0 [15.8] 39.6 [11.6] 2.7	52.5 [15.4] 36.8 [10.8] 2.6	52.3 [15.3] 46.2 [13.5] 2.7	51.4 [15.1] 44.2 [12.9] 2.6	50.0 [14.6] 41.1 [12.0] 2.6
	80 [26.7]	Total BTUH [kW] Sens BTUH [kW] Power	56.4 [16.5] 34.3 [10.0] 2.8	55.4 [16.2] 32.7 [9.6] 2.8	53.9 [15.8] 30.5 [8.9] 2.8	53.5 [15.7] 40.9 [12.0] 2.8	52.6 [15.4] 39.1 [11.5] 2.8	51.1 [15.0] 36.4 [10.7] 2.7	50.8 [14.9] 45.7 [13.4] 2.8	49.9 [14.6] 43.7 [12.8] 2.8	48.6 [14.2] 40.6 [11.9] 2.7
	85 [29.4]	Total BTUH [kW] Sens BTUH [kW] Power	54.9 [16.1] 33.7 [9.9] 3.0	53.9 [15.8] 32.2 [9.4] 3.0	52.4 [15.4] 29.9 [8.8] 2.9	52.0 [15.2] 40.3 [11.8] 3.0	51.0 [15.0] 38.5 [11.3] 2.9	49.6 [14.5] 35.8 [10.5] 2.9	49.3 [14.4] 45.1 [13.2] 2.9	48.4 [14.2] 43.1 [12.6] 2.9	47.1 [13.8] 40.1 [11.7] 2.9
	90 [32.2]	Total BTUH [kW] Sens BTUH [kW] Power	53.3 [15.6] 33.0 [9.7] 3.1	52.3 [15.3] 31.5 [9.2] 3.1	50.9 [14.9] 29.3 [8.6] 3.1	50.4 [14.8] 39.6 [11.6] 3.1	49.5 [14.5] 37.9 [11.1] 3.1	48.1 [14.1] 35.2 [10.3] 3.1	47.7 [14.0] 44.4 [13.0] 3.1	46.9 [13.7] 42.4 [12.4] 3.1	45.6 [13.4] 39.5 [11.6] 3.0
	95 [35]	Total BTUH [kW] Sens BTUH [kW] Power	51.7 [15.1] 32.2 [9.4] 3.3	50.7 [14.9] 30.7 [9.0] 3.3	49.4 [14.5] 28.6 [8.4] 3.3	48.8 [14.3] 38.8 [11.4] 3.3	47.9 [14.0] 37.1 [10.9] 3.3	46.6 [13.7] 34.5 [10.1] 3.2	46.1 [13.5] 43.6 [12.8] 3.3	45.3 [13.3] 41.7 [12.2] 3.3	44.0 [12.9] 38.8 [11.4] 3.2
	100 [37.8]	Total BTUH [kW] Sens BTUH [kW] Power	50.0 [14.7] 31.3 [9.2] 3.5	49.1 [14.4] 29.9 [8.8] 3.5	47.8 [14.0] 27.8 [8.1] 3.4	47.1 [13.8] 37.9 [11.1] 3.5	46.3 [13.6] 36.3 [10.6] 3.5	45.0 [13.2] 33.7 [9.9] 3.4	44.4 [13.0] 42.7 [12.5] 3.5	43.6 [12.8] 40.8 [12.0] 3.5	42.4 [12.4] 38.0 [11.1] 3.4
	105 [40.6]	Total BTUH [kW] Sens BTUH [kW] Power	48.3 [14.2] 30.3 [8.9] 3.7	47.4 [13.9] 29.0 [8.5] 3.7	46.1 [13.5] 26.9 [7.9] 3.7	45.4 [13.3] 37.0 [10.8] 3.7	44.6 [13.1] 35.3 [10.3] 3.7	43.4 [12.7] 32.8 [9.6] 3.6	42.7 [12.5] 41.8 [12.2] 3.7	42.0 [12.3] 39.9 [11.7] 3.7	40.8 [12.0] 37.1 [10.9] 3.6
	110 [43.3]	Total BTUH [kW] Sens BTUH [kW] Power	46.6 [13.6] 29.2 [8.6] 4.0	45.7 [13.4] 27.9 [8.2] 3.9	44.5 [13.0] 26.0 [7.6] 3.9	43.7 [12.8] 35.9 [10.5] 3.9	42.9 [12.6] 34.3 [10.0] 3.9	41.7 [12.2] 31.9 [9.3] 3.9	41.0 [12.0] 40.7 [11.9] 3.9	40.2 [11.8] 38.9 [11.4] 3.9	39.1 [11.5] 36.1 [10.6] 3.8
	115 [46.1]	Total BTUH [kW] Sens BTUH [kW] Power	44.8 [13.1] 28.1 [8.2] 4.2	44.0 [12.9] 26.8 [7.9] 4.2	42.8 [12.5] 24.9 [7.3] 4.1	41.9 [12.3] 34.7 [10.2] 4.2	41.1 [12.0] 33.2 [9.7] 4.2	40.0 [11.7] 30.8 [9.0] 4.1	39.2 [11.5] 39.2 [11.5] 4.2	38.5 [11.3] 37.8 [11.1] 4.1	37.4 [11.0] 35.1 [10.3] 4.1
	120 [48.9]	Total BTUH [kW] Sens BTUH [kW] Power	42.9 [12.6] 26.8 [7.9] 4.5	42.2 [12.4] 25.6 [7.5] 4.4	41.0 [12.0] 23.8 [7.0] 4.4	40.0 [11.7] 33.5 [9.8] 4.4	39.3 [11.5] 32.0 [9.4] 4.4	38.2 [11.2] 29.7 [8.7] 4.3	37.4 [10.9] 37.4 [10.9] 4.4	36.7 [10.8] 36.5 [10.7] 4.4	35.7 [10.5] 34.0 [10.0] 4.3
125 [51.7]	Total BTUH [kW] Sens BTUH [kW] Power	41.1 [12.0] 25.4 [7.5] 4.7	40.3 [11.8] 24.3 [7.1] 4.7	39.2 [11.5] 22.6 [6.6] 4.6	38.2 [11.2] 32.1 [9.4] 4.7	37.5 [11.0] 30.7 [9.0] 4.7	36.5 [10.7] 28.5 [8.4] 4.6	35.5 [10.4] 35.5 [10.4] 4.7	34.8 [10.2] 34.8 [10.2] 4.7	33.9 [9.9] 32.8 [9.6] 4.6	

DR —Depression ratio
dbE —Entering air dry bulb
wbE —Entering air wet bulb

Total —Total capacity x 1000 BTUH
Sens —Sensible capacity x 1000 BTUH
Power —KW input

NOTES: ① When the entering air dry bulb is other than 80°F [27°C], adjust the sensible capacity from the table by adding [1.10 x CFM x (1 - DR) x (dbE - 80)].

[] Designates Metric Conversions



GROSS SYSTEMS PERFORMANCE DATA—RLQN-A060

ENTERING INDOOR AIR @ 80°F [26.7°C] dbE ①											
wbE		71°F [21.7°C]			67°F [19.4°C]			63°F [17.2°C]			
CFM [L/s]		1980 [934]	1800 [850]	1530 [722]	1980 [934]	1800 [850]	1530 [722]	1980 [934]	1800 [850]	1530 [722]	
DR ①		0.14	0.13	0.1	0.14	0.13	0.1	0.14	0.13	0.1	
OUTDOOR DRY BULB TEMPERATURE °F [°C]	75 [23.9]	Total BTUH [kW] Sens BTUH [kW] Power	70.3 [20.6] 40.2 [11.8] 3.6	69.0 [20.2] 38.4 [11.3] 3.5	67.1 [19.7] 35.7 [10.5] 3.5	66.2 [19.4] 47.5 [13.9] 3.5	65.0 [19.0] 45.3 [13.3] 3.5	63.2 [18.5] 42.2 [12.4] 3.5	62.2 [18.2] 53.7 [15.7] 3.5	61.0 [17.9] 51.3 [15.0] 3.5	59.4 [17.4] 47.7 [14.0] 3.4
	80 [26.7]	Total BTUH [kW] Sens BTUH [kW] Power	68.8 [20.2] 39.6 [11.6] 3.8	67.6 [19.8] 37.9 [11.1] 3.7	65.8 [19.3] 35.2 [10.3] 3.7	64.7 [19.0] 46.8 [13.7] 3.7	63.6 [18.6] 44.8 [13.1] 3.7	61.8 [18.1] 41.6 [12.2] 3.6	60.7 [17.8] 53.1 [15.5] 3.7	59.6 [17.5] 50.7 [14.9] 3.6	58.0 [17.0] 47.1 [13.8] 3.6
	85 [29.4]	Total BTUH [kW] Sens BTUH [kW] Power	67.3 [19.7] 38.9 [11.4] 3.9	66.1 [19.4] 37.2 [10.9] 3.9	64.3 [18.8] 34.6 [10.1] 3.9	63.2 [18.5] 46.2 [13.5] 3.9	62.1 [18.2] 44.1 [12.9] 3.9	60.4 [17.7] 41.0 [12.0] 3.8	59.2 [17.3] 52.4 [15.3] 3.9	58.1 [17.0] 50.0 [14.7] 3.8	56.5 [16.6] 46.5 [13.6] 3.8
	90 [32.2]	Total BTUH [kW] Sens BTUH [kW] Power	65.7 [19.2] 38.2 [11.2] 4.2	64.5 [18.9] 36.5 [10.7] 4.1	62.7 [18.4] 33.9 [9.9] 4.1	61.6 [18.0] 45.4 [13.3] 4.1	60.5 [17.7] 43.4 [12.7] 4.1	58.8 [17.2] 40.3 [11.8] 4.0	57.6 [16.9] 51.6 [15.1] 4.1	56.5 [16.6] 49.3 [14.4] 4.0	55.0 [16.1] 45.9 [13.4] 4.0
	95 [35]	Total BTUH [kW] Sens BTUH [kW] Power	64.0 [18.7] 37.3 [10.9] 4.4	62.8 [18.4] 35.7 [10.5] 4.4	61.1 [17.9] 33.2 [9.7] 4.3	59.8 [17.5] 44.6 [13.1] 4.3	58.8 [17.2] 42.6 [12.5] 4.3	57.2 [16.8] 39.6 [11.6] 4.3	55.8 [16.4] 50.8 [14.9] 4.3	54.8 [16.1] 48.5 [14.2] 4.3	53.3 [15.6] 45.1 [13.2] 4.2
	100 [37.8]	Total BTUH [kW] Sens BTUH [kW] Power	62.1 [18.2] 36.4 [10.7] 4.6	61.0 [17.9] 34.8 [10.2] 4.6	59.4 [17.4] 32.4 [9.5] 4.5	58.0 [17.0] 43.6 [12.8] 4.6	57.0 [16.7] 41.7 [12.2] 4.6	55.4 [16.2] 38.8 [11.4] 4.5	54.0 [15.8] 49.9 [14.6] 4.6	53.0 [15.5] 47.6 [14.0] 4.5	51.6 [15.1] 44.3 [13.0] 4.5
	105 [40.6]	Total BTUH [kW] Sens BTUH [kW] Power	60.2 [17.6] 35.4 [10.4] 4.9	59.2 [17.3] 33.8 [9.9] 4.9	57.5 [16.9] 31.5 [9.2] 4.8	56.1 [16.4] 42.6 [12.5] 4.9	55.1 [16.2] 40.7 [11.9] 4.8	53.6 [15.7] 37.9 [11.1] 4.8	52.1 [15.3] 48.9 [14.3] 4.8	51.2 [15.0] 46.7 [13.7] 4.8	49.8 [14.6] 43.4 [12.7] 4.7
	110 [43.3]	Total BTUH [kW] Sens BTUH [kW] Power	58.2 [17.1] 34.3 [10.1] 5.2	57.2 [16.8] 32.8 [9.6] 5.2	55.6 [16.3] 30.5 [8.9] 5.1	54.1 [15.9] 41.6 [12.2] 5.2	53.1 [15.6] 39.7 [11.6] 5.1	51.7 [15.1] 36.9 [10.8] 5.0	50.1 [14.7] 47.8 [14.0] 5.1	49.2 [14.4] 45.7 [13.4] 5.1	47.9 [14.0] 42.5 [12.4] 5.0
	115 [46.1]	Total BTUH [kW] Sens BTUH [kW] Power	56.1 [16.4] 33.2 [9.7] 5.5	55.1 [16.2] 31.7 [9.3] 5.5	53.6 [15.7] 29.5 [8.6] 5.4	52.0 [15.2] 40.4 [11.8] 5.5	51.1 [15.0] 38.6 [11.3] 5.4	49.7 [14.6] 35.9 [10.5] 5.3	48.0 [14.1] 46.6 [13.7] 5.4	47.1 [13.8] 44.6 [13.1] 5.4	45.9 [13.4] 41.4 [12.1] 5.3
	120 [48.9]	Total BTUH [kW] Sens BTUH [kW] Power	53.9 [15.8] 32.0 [9.4] 5.8	53.0 [15.5] 30.5 [9.0] 5.8	51.5 [15.1] 28.4 [8.3] 5.7	49.8 [14.6] 39.2 [11.5] 5.8	48.9 [14.3] 37.5 [11.0] 5.7	47.6 [13.9] 34.8 [10.2] 5.7	45.8 [13.4] 45.4 [13.3] 5.7	45.0 [13.2] 43.4 [12.7] 5.7	43.8 [12.8] 40.3 [11.8] 5.6
125 [51.7]	Total BTUH [kW] Sens BTUH [kW] Power	51.6 [15.1] 30.7 [9.0] 6.2	50.7 [14.9] 29.3 [8.6] 6.1	49.3 [14.5] 27.2 [8.0] 6.0	47.5 [13.9] 37.9 [11.1] 6.1	46.7 [13.7] 36.2 [10.6] 6.0	45.4 [13.3] 33.7 [9.9] 6.0	43.5 [12.8] 43.5 [12.8] 6.1	42.7 [12.5] 42.1 [12.3] 6.0	41.6 [12.2] 39.2 [11.5] 5.9	

DR —Depression ratio
dbE —Entering air dry bulb
wbE—Entering air wet bulb

Total —Total capacity x 1000 BTUH
Sens —Sensible capacity x 1000 BTUH
Power —kW input

NOTES: ① When the entering air dry bulb is other than 80°F [27°C], adjust the sensible capacity from the table by adding [1.10 x CFM x (1 – DR) x (dbE – 80)].

[] Designates Metric Conversions



DIRECT-DRIVE 208 AIRFLOW PERFORMANCE

Unit Model	Motor Speed From Factory		Heating Input BTU/hr [KW]	Manufacturer Recommended Air-Flow Range (Min/Max) CFM	Blower Size/ Motor HP [w] # of Speeds	Motor Speed	CFM [L/s] Air Delivery/RPM/Watts-230/460 Volts									
	Cool	Heat					External Static Pressure—Inches W.C. [kPa]									
							0.1 [.02]	0.2 [.05]	0.3 [.07]	0.4 [.10]	0.5 [.12]	0.6 [.15]	0.7 [.17]	0.8 [.20]		
RLPN-A036	Low	Low	80,000 [23.45]	1050/1350	10x10 1/2 HP [373] 3 Speed Motor (PSC Motor)	Low	CFM	1153	1155	1150	1106	1043	977	809	645	
		Watts	519				503	485	453	418	393	345	289			
		Med	1296				1303	1290	1269	1212	1143	1015	773			
RLPN-A048	Med	High	120,000 [35.17]	1400/1800	10x10 1/2 HP [373] 3 Speed Motor (PSC Motor)	Med	CFM	594	581	560	539	510	470	432	369	
		Watts	1661				1640	1605	1550	1479	1368	1259	943			
		High	1667				1651	1616	1569	1517	1441	1371	1153			
RLPN-A060	Med	Low	135,000 [39.56]	1750/2250	10x10 1 HP [745] 3 Speed Motor (PSC Motor)	High	CFM	782	751	713	680	644	597	564	485	
		Watts	1678				1641	1599	1557	1521	1471	1430	1384			
		High	1842				1820	1781	1741	1703	1659	1613	1536			
RLPN-A060	Med	Low	120,000 [35.17]	1750/2250	10x10 1 HP [745] 3 Speed Motor (PSC Motor)	Low	CFM	455	479	489	516	529	551	574	571	
		Watts	2476				2417	2336	2229	2120	1965	1816	1625			
		High	1010				989	977	918	862	781	707	620			

[] Designates Metric Conversions



DIRECT-DRIVE 230/460 AIRFLOW PERFORMANCE

Unit Model	Motor Speed From Factory		Heating Input BTU/hr [kW]	Manufacturer Recommended Air-Flow Range (Min/Max) CFM	Blower Size/ Motor HP [w] # of Speeds	Motor Speed	CFM [L/s] Air Delivery/RPM/Watts-230/460 Volts									
							External Static Pressure—Inches W.C. [kPa]									
							0.1 [.02]	0.2 [.05]	0.3 [.07]	0.4 [.10]	0.5 [.12]	0.6 [.15]	0.7 [.17]	0.8 [.20]		
RLPN-A036	Cool	Heat	80,000 [23.45]	1050/1350	10x10 1/2 HP [373] 3 Speed Motor (PSC Motor)	Low	CFM	1346	1329	1287	1212	1157	969	838		
							Watts	596	557	523	483	463	401	371		
							CFM	1496	1474	1442	1391	1323	1139	932		
	Low	Med	120,000 [35.17]	1050/1350		10x10 1/2 HP [373] 3 Speed Motor (PSC Motor)	Med	Watts	697	653	622	591	550	486	431	
								CFM	1868	1786	1719	1636	1521	1345	1037	
								Watts	870	799	754	713	657	591	503	
RLPN-A048	Cool	Heat	80,000 [23.45]	1400/1800	10x10 1/2 HP [373] 3 Speed Motor (PSC Motor)	Low	CFM	1355	1340	1318	1275	1200	1094	912		
							Watts	598	562	541	512	473	432	385		
							CFM	1504	1474	1440	1396	1324	1215	1087		
	Med	High	135,000 [39.56]	1400/1800		10x10 1/2 HP [373] 3 Speed Motor (PSC Motor)	Med	Watts	677	635	606	576	536	488	442	
								CFM	1875	1798	1740	1679	1602	1464	1268	
								Watts	874	805	765	729	688	629	559	
RLPN-A060	Cool	Heat	120,000 [35.17]	1750/2250	10x10 1 HP [745] 3 Speed Motor (X-13 Motor)	Low	CFM	1678	1599	1557	1521	1471	1430	1384		
							Watts	354	386	409	430	456	470	491		
							CFM	1842	1781	1741	1703	1659	1613	1536		
	Med	High	135,000 [39.56]	1750/2250		10x10 1 HP [745] 3 Speed Motor (X-13 Motor)	Med	Watts	455	489	516	529	551	574	571	
								CFM	2476	2336	2229	2120	1965	1816	1625	
								Watts	1010	977	918	862	781	707	620	

[] Designates Metric Conversions



DIRECT-DRIVE 208/230/460 AIRFLOW PERFORMANCE

Unit Model	Motor Speed From Factory		Heating Input BTU/hr [KW]	Manufacturer Recommended Air-Flow Range (Min/Max) CFM	Blower Size/ Motor HP [w] # of Speeds	Motor Speed	CFM [L/s] Air Delivery/RPM/Watts-230/460 Volts									
							External Static Pressure—Inches W.C. [kPa]									
	Cool	Heat	0.1 [02]	0.2 [05]	0.3 [07]	0.4 [10]	0.5 [12]	0.6 [15]	0.7 [17]	0.8 [20]						
RLQN-A036	Low (Tap 2)	Med. (Tap 3)	80,000 [23.45]	1050/1350	10x10 1/2 HP [373] 3 Speed Motor (X-13 Motor)	Low (Tap 2)	CFM	1345	1302	1260	1220	1178	1122	1076	979	
							Watts	215	230	245	260	274	284	303	320	
	High (Tap 4)	High (Tap 4)	120,000 [35.17]	1400/1800		Med. (Tap 2)	CFM	1438	1398	1360	1322	1284	1245	1200	1137	
							Watts	261	276	291	306	320	334	348	362	
RLQN-A048	Low (Tap 1)	Med. (Tap 3)	100,000 [29.31]	1400/1800	10x10 3/4 HP [559] 4 Speed Motor (X-13 Motor)	Low (Tap 1)	CFM	1403	1345	1310	1269	1212	1164	1083	1028	
							Watts	232	244	255	267	283	297	315	324	
	High (Tap 4)	High (Tap 4)	135,000 [39.56]	1750/2250		Med. (Tap 3)	CFM	1677	1639	1597	1559	1522	1487	1432	1390	
							Watts	354	367	382	396	412	425	442	459	
RLQN-A060	Low Cool (Tap 1)	High Cool (Tap 3)	100,000 [29.31]	1400/1800	10x10 1 HP [745] 5 Speed Motor (X-13 Motor)	Low Cool (Tap 1)	CFM	1404	1369	1326	1265	1221	1166	1107	1043	
							Watts	233	250	270	280	300	319	340	344	
	High (Tap 3)	High (Tap 3)	135,000 [39.56]	1750/2250		Med. (Tap 3)	CFM	1678	1641	1599	1557	1521	1471	1430	1384	
							Watts	354	364	386	409	430	456	470	491	
RLQN-A060	Low Cool (Tap 1)	High Cool (Tap 3)	100,000 [29.31]	1400/1800	10x10 1 HP [745] 5 Speed Motor (X-13 Motor)	Low Cool (Tap 1)	CFM	1842	1820	1781	1741	1703	1659	1613	1536	
							Watts	455	479	489	516	529	551	574	571	
	High (Tap 3)	High (Tap 3)	135,000 [39.56]	1750/2250		Med. (Tap 4)	CFM	1842	1820	1781	1741	1703	1659	1613	1536	
							Watts	455	479	489	516	529	551	574	571	
RLQN-A060	Low Cool (Tap 1)	High Cool (Tap 3)	100,000 [29.31]	1400/1800	10x10 1 HP [745] 5 Speed Motor (X-13 Motor)	Low Cool (Tap 1)	CFM	2476	2417	2336	2229	2120	1965	1816	1625	
							Watts	1010	989	977	918	862	781	707	620	
	High (Tap 3)	High (Tap 3)	135,000 [39.56]	1750/2250		Med. (Tap 4)	CFM	2476	2417	2336	2229	2120	1965	1816	1625	
							Watts	1010	989	977	918	862	781	707	620	

[] Designates Metric Conversions

DIRECT-DRIVE 208 AIRFLOW PERFORMANCE

		CFM [L/s] Air Delivery/RPM/Watts-230/460 Volts																	
		External Static Pressure—Inches W.C. [kPa]																	
		0.1 [0.02]	0.2 [0.05]	0.3 [0.07]	0.4 [0.10]	0.5 [0.12]	0.6 [0.15]	0.7 [0.17]	0.8 [0.20]	0.9 [0.22]	1.0 [0.25]	1.1 [0.27]	1.2 [0.30]	1.3 [0.32]	1.4 [0.35]	1.5 [0.37]			
5-TON 15 SEER 2-STAGE CV & DV MODELS	1st Stage Cooling	FACTORY SETTING	CFM	1393	1418	1443	1463	1470	1448	1456	1463	1415	1403	1376	1341	1289	1265	1229	
			RPM	610	688	754	800	873	940	1026	1080	1130	1160	1186	1213	1254	1292	1329	
			Watts	215	266	314	350	409	466	515	550	599	653	683	710	742	791	835	
		OPTIONAL	CFM	1579	1599	1626	1642	1647	1642	1642	1642	1648	1644	1633	1616	1570	1523	1499	1397
			RPM	676	734	793	850	903	952	1004	1054	1095	1139	1186	1225	1265	1297	1321	
			Watts	302	349	404	454	508	560	614	670	717	772	836	885	942	988	989	
	2nd Stage Cooling	FACTORY SETTING	CFM	1758	1784	1796	1801	1820	1825	1826	1832	1832	1830	1814	1817	1795	1682	1561	
			RPM	722	782	836	874	932	971	1022	1065	1114	1150	1189	1231	1273	1319	1348	
			Watts	392	451	508	547	615	664	728	786	854	908	968	1036	1106	1147	1127	
		OPTIONAL	CFM	2075	2087	2088	2085	2090	2101	2101	2106	2105	2101	2034	2001	1943	1855	1628	
			RPM	798	843	897	936	981	1018	1057	1096	1136	1170	1203	1241	1272	1309	1349	
			Watts	590	646	714	769	835	890	953	1014	1082	1137	1167	1193	1220	1241	1186	
OPTIONAL	CFM	2222	2220	2239	2244	2261	2236	2216	2180	2146	2110	2051	2010	1958	1863	1636			
	RPM	841	883	933	971	1008	1046	1075	1106	1141	1173	1207	1238	1273	1312	1351			
	Watts	717	777	856	921	984	1037	1054	1083	1115	1143	1176	1201	1233	1250	1195			

[] Designates Metric Conversions

AIRFLOW PERFORMANCE — 3 TON [10.55 kW] 3 PHASE BELT DRIVE

Air Flow CFM [L/s]	Capacity 3 Ton [10.55 kW] Voltage 208/230/460/575, 3-Phase																													
	External Static Pressure—Inches of Water [kPa]																													
	0.1 [0.02]	0.2 [0.05]	0.3 [0.07]	0.4 [0.10]	0.5 [0.12]	0.6 [0.15]	0.7 [0.17]	0.8 [0.20]	0.9 [0.22]	1.0 [0.25]	1.1 [0.27]	1.2 [0.30]	1.3 [0.32]	1.4 [0.35]	1.5 [0.37]															
900 [425]	—	—	699	223	765	261	827	292	886	318	941	338	993	352	1042	360	1087	362	1129	358	1168	348	1203	332	1235	310	1264	282		
1000 [472]	—	—	662	228	717	258	842	323	899	346	952	364	1002	376	1049	381	1093	381	1133	374	1170	362	1203	344	1233	320	1260	289		
1100 [519]	—	—	667	275	737	295	857	355	912	377	964	392	1012	401	1057	404	1099	402	1137	393	1172	378	1204	358	1232	331	1257	298		
1200 [566]	643	278	693	298	756	334	817	365	873	390	927	409	976	422	1023	428	1066	429	1106	424	1143	413	1176	396	1205	373	1232	344	1255	309
1300 [614]	661	316	716	341	777	376	835	404	890	426	942	443	990	453	1035	458	1076	456	1114	449	1149	435	1180	416	1208	391	1232	359	1254	322
1400 [661]	669	352	739	387	799	419	855	445	908	465	958	479	1004	487	1047	489	1087	485	1123	475	1156	460	1185	438	1211	410	1234	377	1253	337
1500 [708]	702	399	763	434	821	464	876	487	927	505	975	517	1019	523	1060	522	1098	516	1132	504	1163	486	1191	462	1215	432	1236	396	1254	354

NOTE: L-Drive left of bold line, M-Drive right of bold line.

Drive Package	L												M												N Drive (Field Supplied)																		
Motor H.P. [W]	1/2 [373]												1/2 [373]												1/2 [373]																		
Blower Sheave	6.9" Pitch Diameter												6.4" Pitch Diameter												5.7" Pitch Diameter																		
Motor Sheave	2.4" - 3.4" Pitch Diameter												3.4" - 4.4" Pitch Diameter												3.4" - 4.4" Pitch Diameter																		
Turns Open	0	1	2	3	4	5	0	1	2	3	4	5	0	1	2	3	4	5	0	1	2	3	4	5	0	1	2	3	4	5													
RPM	910	869	818	775	728	682	635	588	541	494	447	400	353	306	259	212	165	118	71	24	1108	1060	1012	964	916	868	820	772	724	676	628	580	532	484	436	388	340	292	244	196	148	100	52

COMPONENT AIR RESISTANCE

CFM [L/s]	Standard Indoor Airflow—CFM [L/s]				Resistance—Inches Water [kPa]				
	1000 [472]	1200 [566]	1400 [661]	1600 [755]	1800 [850]	2000 [944]	0.035	0.055	0.075
Wet Coil	0.035	0.040	0.060	0.070	0.085	0.100	0.035	0.055	0.075
Downflow	0.055	0.060	0.066	0.072	0.080	0.086	0.035	0.055	0.075
R.S.I. Economizer R.A. Damper	0.05	0.06	0.07	0.08	0.09	0.10	0.035	0.055	0.075

NOTES:

- Performance shown with dry coil & standard 2" [50.8 mm] filters.
- Standard CFM @ .075 lbs./cu. ft.
- Motor efficiency = 80%
- BHP = $\frac{\text{Watts} \times \text{Motor Eff.}}{746}$
- Add component resistance to duct static to determine E.S.P. as shown on charts.

[] Designates Metric Conversions

AIRFLOW PERFORMANCE— 4 TON [14.07 kW] 3 PHASE BELT DRIVE

Capacity 4 Ton [14.07 kW] Voltage 208/230/460/575, 3-Phase

Air Flow CFM [L/s]	External Static Pressure—Inches of Water [kPa]																													
	0.1 [.02]		0.2 [.05]		0.3 [.07]		0.4 [.10]		0.5 [.12]		0.6 [.15]		0.7 [.17]		0.8 [.20]		0.9 [.22]		1.0 [.25]		1.1 [.27]		1.2 [.30]		1.3 [.32]		1.4 [.35]		1.5 [.37]	
	RPM	W	RPM	W	RPM	W	RPM	W	RPM	W	RPM	W	RPM	W	RPM	W	RPM	W	RPM	W	RPM	W	RPM	W	RPM	W	RPM	W	RPM	W
1200 [566]	—	—	—	—	817	425	879	440	940	456	999	475	1057	496	1113	519	1168	545	1221	572	1272	602	1322	634	1371	669	1420	704		
1300 [614]	—	—	—	—	838	437	899	457	958	479	1015	503	1071	529	1126	558	1178	589	1230	622	1279	657	1327	695	1374	734	1421	773		
1400 [661]	—	—	—	—	861	457	919	482	976	510	1032	539	1086	571	1138	605	1189	641	1239	680	1286	720	1333	763	1377	808	1421	853		
1500 [708]	—	—	—	—	885	486	940	517	995	549	1048	584	1101	622	1151	661	1200	703	1248	746	1294	792	1338	841	1382	890	1426	939		
1600 [755]	—	—	798	449	849	490	905	523	960	559	1013	598	1065	638	1115	681	1164	725	1211	772	1257	821	1301	873	1343	926	1385	979	1427	1032
1700 [802]	—	—	817	493	873	530	928	569	981	611	1032	654	1082	700	1130	748	1177	798	1222	851	1266	905	1308	962	1349	1021	1390	1080	1139	
1800 [850]	791	490	844	537	898	579	950	624	1002	670	1051	719	1099	771	1146	824	1190	880	1234	937	1276	997	1316	1059	1355	1124	1394	1189	—	—
1900 [897]	816	543	870	589	923	637	973	687	1023	739	1070	793	1116	850	1161	908	1204	969	1245	1033	1285	1098	1324	1166	1361	1235	1398	1304	—	—
2000 [944]	845	599	897	650	947	703	996	758	1044	816	1089	875	1134	937	1176	1002	1217	1068	1257	1137	1295	1207	1332	1280	1367	1355	—	—	—	—

NOTE: L-Drive left of bold line, M-Drive right of bold line.

Drive Package	L		M	
Motor H.P. [W]	1/2 [373]		3/4 [559]	
Blower Sheave	6.9" Pitch Diameter		6.4" Pitch Diameter	
Motor Sheave	3.4" - 4.4" Pitch Diameter			
Turns Open	0	1	2	3
RPM	1029	984	950	915
			855	816
			1281	1207
			1174	1141
			1111	1071

COMPONENT AIR RESISTANCE

CFM [L/s]	Standard Indoor Airflow—CFM [L/s]				Resistance—Inches Water [kPa]					
	1000 [472]	1400 [661]	1600 [755]	1800 [850]	2000 [944]	0.035	0.040	0.060	0.070	
Wet Coil						0.035	0.040	0.060	0.070	0.085
Downflow						0.055	0.060	0.066	0.072	0.086
R.S.I. Economizer R.A. Damper						0.05	0.06	0.07	0.08	0.09

NOTES:

- Performance shown with dry coil & standard 2" [50.8 mm] filters.
- Standard CFM @ .075 lbs./cu. ft.
- Motor efficiency = 80%
- BHP = $\frac{\text{Watts} \times \text{Motor Eff.}}{746}$
- Add component resistance to duct static to determine E.S.P. as shown on charts.

[] Designates Metric Conversions

AIRFLOW PERFORMANCE — 5 TON [10.55 kW] 3 PHASE BELT DRIVE

Air Flow CFM [L/s]		Capacity 5 Ton [17.6 kW] 14 SEER Voltage 208/230/460/575, 3-Phase																													
		External Static Pressure—Inches of Water [kPa]																													
		0.1 [0.02]		0.2 [0.05]		0.3 [0.07]		0.4 [0.10]		0.5 [0.12]		0.6 [0.15]		0.7 [0.17]		0.8 [0.20]		0.9 [0.22]		1.0 [0.25]		1.1 [0.27]		1.2 [0.30]		1.3 [0.32]		1.4 [0.35]		1.5 [0.37]	
		RPM	W	RPM	W	RPM	W	RPM	W	RPM	W	RPM	W	RPM	W	RPM	W	RPM	W	RPM	W	RPM	W	RPM	W	RPM	W	RPM	W		
1400 [661]	—	—	—	—	—	—	—	784	466	835	497	886	533	935	574	983	621	1030	674	1077	732	1122	795	1166	864	1209	939	1251	1019	1292	1104
1500 [708]	—	—	—	—	—	—	—	800	484	850	519	899	558	947	604	994	655	1040	711	1085	774	1129	841	1172	914	1214	992	1255	1076	1295	1166
1600 [755]	—	—	—	—	—	766	478	816	511	865	549	913	593	960	643	1006	698	1051	758	1095	824	1137	895	1179	972	1220	1055	1260	1143	1300	1231
1700 [802]	—	—	—	—	—	785	509	833	546	881	589	928	637	974	690	1018	749	1062	813	1105	883	1146	959	1187	1040	1227	1126	1265	1218	1303	1310
1800 [850]	—	—	755	505	804	550	851	591	898	637	943	689	988	747	1031	810	1074	878	1115	952	1156	1031	1195	1116	1234	1207	1271	1302	1308	1397	
1900 [897]	716	491	776	560	823	600	869	645	915	695	959	751	1003	812	1045	879	1086	951	1127	1029	1166	1113	1204	1202	1242	1296	1278	1396	1314	1496	
2000 [944]	745	562	797	615	843	658	889	707	933	762	976	821	1018	887	1059	958	1099	1034	1139	1116	1177	1203	1214	1296	1250	1394	1285	1498	1320	1602	
2100 [991]	773	637	819	679	864	726	908	779	951	837	993	901	1034	970	1074	1045	1113	1125	1151	1211	1188	1303	1224	1399	1259	1502	1293	1609	—	—	
2200 [1038]	797	706	842	751	886	803	929	860	971	922	1011	990	1051	1063	1090	1142	1128	1226	1165	1316	1200	1411	1235	1512	1269	1618	—	—	—	—	
2300 [1085]	822	783	865	833	908	888	950	949	990	1015	1030	1087	1069	1164	1106	1247	1143	1335	1179	1429	1213	1528	1247	1633	1279	1743	—	—	—	—	
2400 [1133]	847	870	889	924	931	983	971	1048	1011	1118	1049	1194	1087	1275	1123	1362	1159	1454	1193	1551	1227	1655	1259	1763	1291	1878	—	—	—	—	
2500 [1179]	873	966	914	1023	954	1087	994	1155	1032	1229	1069	1309	1106	1394	1141	1485	1175	1581	1209	1683	1241	1790	1272	1903	—	—	—	—	—	—	

NOTE: L-Drive left of bold line, M-Drive right of bold line.

	L					M					N Drive (Field Supplied)				
Drive Package											1 [746]				
Motor H.P. [W]	3/4 [559]					1 [746]					1 [746]				
Blower Sheave	6.9" Pitch Diameter					6.9" Pitch Diameter					6.4" Pitch Diameter				
Motor Sheave	2.8" - 3.8" Pitch Diameter					4.0" - 5.0" Pitch Diameter					4.0" - 5.0" Pitch Diameter				
Turns Open	0	1	2	3	4	5	0	1	2	3	4	5	1078	1042	
RPM	967	936	900	855	816	769	1248	1203	1163	1123	1078	1042	1042	1042	

COMPONENT AIR RESISTANCE

CFM [L/s]	Standard Indoor Airflow—CFM [L/s]				Resistance—Inches Water [kPa]			
	1600 [755]	1800 [850]	2000 [944]	2200 [1038]	2400 [1133]	2600 [1227]	2800 [1321]	3000 [1415]
Wet Coil	0.070	0.085	0.100	0.110	0.120	0.125	0.130	0.135
Downflow	0.072	0.080	0.086	0.093	0.100	0.107	0.114	0.121
R.S.I. Economizer R.A. Damper	0.08	0.09	0.10	0.11	0.12	0.13	0.14	0.15

NOTES:

- Performance shown with dry coil & standard 2" [50.8 mm] filters.
- Standard CFM @ .075 lbs./cu. ft.
- Motor efficiency = 80%
- BHP = $\frac{\text{Watts} \times \text{Motor Eff.}}{746}$
- Add component resistance to duct static to determine E.S.P. as shown on charts.

[] Designates Metric Conversions



ELECTRICAL DATA – RLPN SERIES

		A036CK	A036CL	A036CM	A036DK	A036DL	A036DM	A036JK	A036YL	A036YM
Unit Information	Unit Operating Voltage Range	187-253	187-253	187-253	414-506	414-506	414-506	187-253	517-633	517-633
	Volts	208/230	208/230	208/230	460	460	460	208/230	575	575
	Minimum Circuit Ampacity	17/17	16/16	16/16	11	10	10	24/24	7	7
	Minimum Overcurrent Protection Device Size	20/20	20/20	20/20	15	15	15	30/30	15	15
	Maximum Overcurrent Protection Device Size	25/25	20/20	20/20	15	15	15	35/35	15	15
Compressor Motor	No.	1	1	1	1	1	1	1	1	1
	Volts	208/230	208/230	208/230	460	460	460	208/230	575	575
	Phase	3	3	3	3	3	3	1	3	3
	RPM	3450	3450	3450	3450	3450	3450	3450	3450	3450
	HP, Compressor 1	3	3	3	3	3	3	3	3	3
	Amps (RLA), Comp. 1	9/9	9/9	9/9	5.6	5.6	5.6	14.1/14.1	3.8	3.8
	Amps (LRA), Comp. 1	71/71	71/71	71/71	38	38	38	77/77	36.5	36.5
Condenser Motor	No.	1	1	1	1	1	1	1	1	1
	Volts	208/230	208/230	208/230	460	460	460	208/230	575	575
	Phase	1	1	1	1	1	1	1	1	1
	HP	1/3	1/3	1/3	1/3	1/3	1/3	1/3	1/3	1/3
	Amps (FLA, each)	1.5/1.5	1.5/1.5	1.5/1.5	1	1	1	1.5/1.5	0.8	0.8
	Amps (LRA, each)	3/3	3/3	3/3	1.9	1.9	1.9	3/3	1.9	1.9
Evaporator Fan	No.	1	1	1	1	1	1	1	1	1
	Volts	208/230	208/230	208/230	460	460	460	208/230	575	575
	Phase	1	3	3	1	3	3	1	3	3
	HP	1/2	1/2	1/2	1/2	1/2	1/2	1/2	3/4	3/4
	Amps (FLA, each)	4/4	2.8/2.8	2.8/2.8	2	1.4	1.6	4/4	1.3	1.3
	Amps (LRA, each)	6.7/6.7	11.3/11.3	16.8/16.8	3.6	6.2	8.4	6.7/6.7	6	6

1. Horsepower Per Compressor.

2. Amp Draw Per Motor. Multiply Value By Number of Motors to Determine Total Amps.

ELECTRICAL DATA – RLPN SERIES										
		A048CK	A048CL	A048CM	A048DK	A048DL	A048DM	A048JK	A048YL	A048YM
Unit Information	Unit Operating Voltage Range	187-253	187-253	187-253	414-506	414-506	414-506	187-253	517-633	517-633
	Volts	208/230	208/230	208/230	460	460	460	208/230	575	575
	Minimum Circuit Ampacity	22/22	21/21	22/22	11	11	11	31/31	8	8
	Minimum Overcurrent Protection Device Size	30/30	25/25	25/25	15	15	15	40/40	15	15
	Maximum Overcurrent Protection Device Size	35/35	30/30	30/30	15	15	15	50/50	15	15
Compressor Motor	No.	1	1	1	1	1	1	1	1	1
	Volts	208/230	208/230	208/230	460	460	460	208/230	575	575
	Phase	3	3	3	3	3	3	1	3	3
	RPM	3450	3450	3450	3450	3450	3450	3450	3450	3450
	HP, Compressor 1	4	4	4	4	4	4	4	4	4
	Amps (RLA), Comp. 1	13.1/13.1	13.1/13.1	13.1/13.1	6.1	6.1	6.1	19.9/19.9	4.4	4.4
	Amps (LRA), Comp. 1	83.1/83.1	83.1/83.1	83.1/83.1	41	41	41	109/109	33	33
Condenser Motor	No.	1	1	1	1	1	1	1	1	1
	Volts	208/230	208/230	208/230	460	460	460	208/230	575	575
	Phase	1	1	1	1	1	1	1	1	1
	HP	1/3	1/3	1/3	1/3	1/3	1/3	1/3	1/3	1/3
	Amps (FLA, each)	1.5/1.5	1.5/1.5	1.5/1.5	1	1	1	1.5/1.5	0.8	0.8
	Amps (LRA, each)	3/3	3/3	3/3	1.9	1.9	1.9	3/3	1.9	1.9
Evaporator Fan	No.	1	1	1	1	1	1	1	1	1
	Volts	208/230	208/230	208/230	460	460	460	208/230	575	575
	Phase	1	3	3	1	3	3	1	3	3
	HP	1/2	1/2	3/4	1/2	1/2	3/4	1/2	3/4	3/4
	Amps (FLA, each)	4/4	2.8/2.8	3.4/3.4	2	1.4	1.6	4/4	1.3	1.3
	Amps (LRA, each)	6.5/6.5	11.3/11.3	14.6/14.6	3.6	6.2	8.4	6.7/6.7	6	6

1. Horsepower Per Compressor.

2. Amp Draw Per Motor. Multiply Value By Number of Motors to Determine Total Amps.

ELECTRICAL DATA – RLPN SERIES

		A060CK	A060CL	A060CM	A060DK	A060DL	A060DM	A060JK	A060YL	A060YM
Unit Information	Unit Operating Voltage Range	187-253	187-253	187-253	414-506	414-506	414-506	187-253	517-633	517-633
	Volts	208/230	208/230	208/230	460	460	460	208/230	575	575
	Minimum Circuit Ampacity	30/30	26/26	27/27	15	13	13	43/43	10	10
	Minimum Overcurrent Protection Device Size	35/35	30/30	35/35	20	15	15	50/50	15	15
	Maximum Overcurrent Protection Device Size	45/45	40/40	40/40	20	20	20	60/60	15	15
Compressor Motor	No.	1	1	1	1	1	1	1	1	1
	Volts	208/230	208/230	208/230	460	460	460	208/230	575	575
	Phase	3	3	3	3	3	3	1	3	3
	RPM	3450	3450	3450	3450	3450	3450	3450	3450	3450
	HP, Compressor 1	5	5	5	5	5	5	5	5	5
	Amps (RLA), Comp. 1	16/16	16/16	16/16	7.8	7.8	7.8	26.4/26.4	5.7	5.7
	Amps (LRA), Comp. 1	110/110	110/110	110/110	52	52	52	134/134	39.9	39.9
Condenser Motor	No.	1	1	1	1	1	1	1	1	1
	Volts	208/230	208/230	208/230	460	460	460	208/230	575	575
	Phase	1	1	1	1	1	1	1	1	1
	HP	1/3	1/3	1/3	1/3	1/3	1/3	1/3	1/3	1/3
	Amps (FLA, each)	2.2/2.2	2.2/2.2	2.2/2.2	1	1	1	2.2/2.2	0.8	0.8
	Amps (LRA, each)	4.9/4.9	4.9/4.9	4.9/4.9	1.9	1.9	1.9	4.9/4.9	1.9	1.9
Evaporator Fan	No.	1	1	1	1	1	1	1	1	1
	Volts	208/230	208/230	208/230	460	460	460	208/230	575	575
	Phase	1	3	3	1	3	3	1	3	3
	HP	1	3/4	1	1	3/4	1	1	3/4	1
	Amps (FLA, each)	7.6/7.6	3.4/3.4	4.1/4.1	4	1.6	2	7.6/7.6	1.3	1.4
	Amps (LRA, each)	0/0	16.8/16.8	24/24	0	7.3	12	0/0	6	7.2

1. Horsepower Per Compressor.
2. Amp Draw Per Motor. Multiply Value By Number of Motors to Determine Total Amps.

ELECTRICAL DATA – RLQN SERIES										
		A036CK	A036CL	A036CM	A036DK	A036DL	A036DM	A036JK	A048CK	A048CL
Unit Information	Unit Operating Voltage Range	187-253	187-253	187-253	414-506	414-506	414-506	187-253	187-253	187-253
	Volts	208/230	208/230	208/230	460	460	460	208/230	208/230	208/230
	Minimum Circuit Ampacity	17/17	16/16	16/16	11	10	10	24/24	24/24	21/21
	Minimum Overcurrent Protection Device Size	20/20	20/20	20/20	15	15	15	30/30	30/30	25/25
	Maximum Overcurrent Protection Device Size	25/25	20/20	20/20	15	15	15	35/35	35/35	30/30
Compressor Motor	No.	1	1	1	1	1	1	1	1	1
	Volts	208/230	208/230	208/230	460	460	460	208/230	208/230	208/230
	Phase	3	3	3	3	3	3	1	3	3
	RPM	3450	3450	3450	3450	3450	3450	3450	3450	3450
	HP, Compressor 1	3	3	3	3	3	3	3	4	4
	Amps (RLA), Comp. 1	9/9	9/9	9/9	5.6	5.6	5.6	14.1/14.1	13.1/13.1	13.1/13.1
	Amps (LRA), Comp. 1	71/71	71/71	71/71	38	38	38	77/77	83.1/83.1	83.1/83.1
Condenser Motor	No.	1	1	1	1	1	1	1	1	1
	Volts	208/230	208/230	208/230	460	460	460	208/230	208/230	208/230
	Phase	1	1	1	1	1	1	1	1	1
	HP	1/3	1/3	1/3	1/3	1/3	1/3	1/3	1/3	1/3
	Amps (FLA, each)	1.5/1.5	1.5/1.5	1.5/1.5	1	1	1	1.5/1.5	1.5/1.5	1.5/1.5
	Amps (LRA, each)	3/3	3/3	3/3	1.9	1.9	1.9	3/3	3/3	3/3
Evaporator Fan	No.	1	1	1	1	1	1	1	1	1
	Volts	208/230	208/230	208/230	460	460	460	208/230	208/230	208/230
	Phase	1	3	3	1	3	3	1	1	3
	HP	1/2	1/2	3/4	1/2	1/2	3/4	1/2	3/4	1/2
	Amps (FLA, each)	4.1/4.1	2.8/2.8	2.8/2.8	2.1	1.4	1.4	4.1/4.1	6/6	2.8/2.8
	Amps (LRA, each)	0/0	11.3/11.3	15/15	0	6.2	8.4	0/0	0/0	11.3/11.3

1. Horsepower Per Compressor.

2. Amp Draw Per Motor. Multiply Value By Number of Motors to Determine Total Amps.

ELECTRICAL DATA – RLQN SERIES

		A048CM	A048DK	A048DL	A048DM	A048JK	A060CK	A060CV	A060DK	A060DV	A060JK
Unit Information	Unit Operating Voltage Range	187-253	414-506	414-506	414-506	187-253	187-253	187-253	414-506	414-506	187-253
	Volts	208/230	460	460	460	208/230	208/230	208/230	460	460	208/230
	Minimum Circuit Ampacity	22/22	12	11	11	33/33	31/31	32/32	15	16	46/46
	Minimum Overcurrent Protection Device Size	25/25	15	15	15	40/40	35/35	40/40	20	20	60/60
	Maximum Overcurrent Protection Device Size	30/30	15	15	15	50/50	45/45	45/45	20	20	60/60
Compressor Motor	No.	1	1	1	1	1	1	1	1	1	1
	Volts	208/230	460	460	460	208/230	208/230	208/230	460	460	208/230
	Phase	3	3	3	3	1	3	3	3	3	1
	RPM	3450	3450	3450	3450	3450	3450	3450	3450	3450	3450
	HP, Compressor 1	4	4	4	4	4	5	5	5	5	5
	Amps (RLA), Comp. 1	13.1/13.1	6.1	6.1	6.1	19.9/19.9	16.2/16.2	16.2/16.2	7.6	7.6	28.8/28.8
	Amps (LRA), Comp. 1	83.1/83.1	41	41	41	109/109	110/110	110/110	52	52	152.9/152.9
Condenser Motor	No.	1	1	1	1	1	1	1	1	1	1
	Volts	208/230	460	460	460	208/230	208/230	208/230	460	460	208/230
	Phase	1	1	1	1	1	1	1	1	1	1
	HP	1/3	1/3	1/3	1/3	1/3	1/3	1/3	1/3	1/3	1/3
	Amps (FLA, each)	1.5/1.5	1	1	1	1.5/1.5	2.2/2.2	2.2/2.2	1	1	2.2/2.2
	Amps (LRA, each)	3/3	1.9	1.9	1.9	3/3	4.9/4.9	4.9/4.9	1.9	1.9	4.9/4.9
Evaporator Fan	No.	1	1	1	1	1	1	1	1	1	1
	Volts	208/230	460	460	460	208/230	208/230	208/230	460	460	208/230
	Phase	3	1	3	3	1	1	3	1	3	1
	HP	3/4	3/4	1/2	3/4	3/4	1	1	1	1	1
	Amps (FLA, each)	3.4/3.4	3.2	1.4	1.6	6/6	7.6/7.6	9.1/9.1	4	4.6	7.6/7.6
	Amps (LRA, each)	16.8/16.8	0	6.2	8.4	0/0	0/0	0/0	0	0	0/0

1. Horsepower Per Compressor.

2. Amp Draw Per Motor. Multiply Value By Number of Motors to Determine Total Amps.



Air

Electric Heater Kits
RLPN Series

Unit Model No. RLPN-	Heater Kit Model No. RXJJ-	Heater kW @ 208/240 V	Heater Kit FLA	Unit Min. Ckt. Ampacity	Max. Fuse or Ckt. Bkr. Size (Ckt. Bkr. Must be HACR Type for USA)	Heater Kit Min. Ckt. Ampacity	Heater Kit Max. Fuse or Ckt. Bkr. Size (Ckt. Bkr. Must be HACR Type for USA)	Air Conditioner Min. Ckt. Ampacity	Air Conditioner Max. Fuse or Ckt. Bkr. Size (Ckt. Bkr. Must be HACR Type for USA)
A036CK	NONE	—	—	17/17	25/25	—	—	17/17	25/25
	A06C	4.2/5.6	11.7/13.5	20/22	25/25	15/17	15/20	17/17	25/25
	A10C	7.2/9.6	20/23.1	30/34	30/35	25/29	25/30	17/17	25/25
	A12C	8.4/11.2	23.4/27	35/39	35/40	30/34	30/35	17/17	25/25
	A15C	10.8/14.4	30.1/34.7	43/49	45/50	38/44	40/45	17/17	25/25
	A20C	14.4/19.2	40/46.3	55/63	60/70	50/58	50/60	17/17	25/25
A036CL	NONE	—	—	16/16	20/20	—	—	16/16	20/20
	A06C	4.2/5.6	11.7/13.5	19/21	20/25	15/17	15/20	16/16	20/20
	A10C	7.2/9.6	20/23.1	29/33	30/35	25/29	25/30	16/16	20/20
	A12C	8.4/11.2	23.4/27	33/38	35/40	30/34	30/35	16/16	20/20
	A15C	10.8/14.4	30.1/34.7	42/47	45/50	38/44	40/45	16/16	20/20
	A20C	14.4/19.2	40/46.3	54/62	60/70	50/58	50/60	16/16	20/20
A036CM	NONE	—	—	16/16	20/20	—	—	16/16	20/20
	A06C	4.2/5.6	11.7/13.5	19/21	20/25	15/17	15/20	16/16	20/20
	A10C	7.2/9.6	20/23.1	29/33	30/35	25/29	25/30	16/16	20/20
	A12C	8.4/11.2	23.4/27	33/38	35/40	30/34	30/35	16/16	20/20
	A15C	10.8/14.4	30.1/34.7	42/47	45/50	38/44	40/45	16/16	20/20
	A20C	14.4/19.2	40/46.3	54/62	60/70	50/58	50/60	16/16	20/20
A048CK	NONE	—	—	22/22	35/35	—	—	22/22	35/35
	A06C	4.2/5.6	11.7/13.5	22/22	35/35	15/17	15/20	22/22	35/35
	A10C	7.2/9.6	20/23.1	30/34	35/35	25/29	25/30	22/22	35/35
	A12C	8.4/11.2	23.4/27	35/39	35/40	30/34	30/35	22/22	35/35
	A15C	10.8/14.4	30.1/34.7	43/49	45/50	38/44	40/45	22/22	35/35
	A20C	14.4/19.2	40/46.3	55/63	60/70	50/58	50/60	22/22	35/35
A048CL	NONE	—	—	21/21	30/30	—	—	21/21	30/30
	A06C	4.2/5.6	11.7/13.5	21/21	30/30	15/17	15/20	21/21	30/30
	A10C	7.2/9.6	20/23.1	29/33	30/35	25/29	25/30	21/21	30/30
	A12C	8.4/11.2	23.4/27	33/38	35/40	30/34	30/35	21/21	30/30
	A15C	10.8/14.4	30.1/34.7	42/47	45/50	38/44	40/45	21/21	30/30
	A20C	14.4/19.2	40/46.3	54/62	60/70	50/58	50/60	21/21	30/30



Unit Model No. RLPN-	Heater Kit Model No. RXJJ-	Heater kW @ 208/240 V	Heater Kit FLA	Unit Min. Ckt. Ampacity	Max. Fuse or Ckt. Bkr. Size (Ckt. Bkr. Must be HACR Type for USA)	Heater Kit Min. Ckt. Ampacity	Heater Kit Max. Fuse or Ckt. Bkr. Size (Ckt. Bkr. Must be HACR Type for USA)	Air Conditioner Min. Ckt. Ampacity	Air Conditioner Max. Fuse or Ckt. Bkr. Size (Ckt. Bkr. Must be HACR Type for USA)
A048CM	NONE	—	—	22/22	30/30	—	—	22/22	30/30
	A06C	4.2/5.6	11.7/13.5	22/22	30/30	15/17	15/20	22/22	30/30
	A10C	7.2/9.6	20/23.1	30/34	30/35	25/29	25/30	22/22	30/30
	A12C	8.4/11.2	23.4/27	34/39	35/40	30/34	30/35	22/22	30/30
	A15C	10.8/14.4	30.1/34.7	42/48	45/50	38/44	40/45	22/22	30/30
	A20C	14.4/19.2	40/46.3	55/63	60/70	50/58	50/60	22/22	30/30
A060CK	NONE	—	—	30/30	45/45	—	—	30/30	45/45
	A06C	4.2/5.6	11.7/13.5	30/30	45/45	15/17	15/20	30/30	45/45
	A10C	7.2/9.6	20/23.1	35/39	45/45	25/29	25/30	30/30	45/45
	A12C	8.4/11.2	23.4/27	39/44	45/45	30/34	30/35	30/30	45/45
	A15C	10.8/14.4	30.1/34.7	48/53	50/60	38/44	40/45	30/30	45/45
	A20C	14.4/19.2	40/46.3	60/68	60/70	50/58	50/60	30/30	45/45
A060CL	NONE	—	—	26/26	40/40	—	—	26/26	40/40
	A06C	4.2/5.6	11.7/13.5	26/26	40/40	15/17	15/20	26/26	40/40
	A10C	7.2/9.6	20/23.1	30/34	40/40	25/29	25/30	26/26	40/40
	A12C	8.4/11.2	23.4/27	34/39	40/40	30/34	30/35	26/26	40/40
	A15C	10.8/14.4	30.1/34.7	42/48	45/50	38/44	40/45	26/26	40/40
	A20C	14.4/19.2	40/46.3	55/63	60/70	50/58	50/60	26/26	40/40
A060CM	NONE	—	—	27/27	40/40	—	—	27/27	40/40
	A06C	4.2/5.6	11.7/13.5	27/27	40/40	15/17	15/20	27/27	40/40
	A10C	7.2/9.6	20/23.1	31/35	40/40	25/29	25/30	27/27	40/40
	A12C	8.4/11.2	23.4/27	35/39	40/40	30/34	30/35	27/27	40/40
	A15C	10.8/14.4	30.1/34.7	43/49	45/50	38/44	40/45	27/27	40/40
	A20C	14.4/19.2	40/46.3	56/63	60/70	50/58	50/60	27/27	40/40
	A24C	18/24	50/57.7	68/78	70/80	63/73	70/80	27/27	40/40



Unit Model No. RLPN-	Heater Kit Model No. RXJJ-	Heater kW @ 480 V	Heater Kit FLA	Unit Min. Ckt. Ampacity	Max. Fuse or Ckt. Bkr. Size (Ckt. Bkr. Must be HACR Type for USA)	Heater Kit Min. Ckt. Ampacity	Heater Kit Max. Fuse or Ckt. Bkr. Size (Ckt. Bkr. Must be HACR Type for USA)	Air Conditioner Min. Ckt. Ampacity	Air Conditioner Max. Fuse or Ckt. Bkr. Size (Ckt. Bkr. Must be HACR Type for USA)
A036DK	NONE	—	—	11	15	—	—	11	15
	A06D	5.6	6.7	11	15	9	15	11	15
	A10D	9.6	11.6	18	20	15	15	11	15
	A12D	11.2	13.5	20	20	17	20	11	15
	A15D	14.4	17.4	25	25	22	25	11	15
	A20D	19.2	23.3	32	35	30	30	11	15
A036DL	NONE	—	—	10	15	—	—	10	15
	A06D	5.6	6.7	11	15	9	15	10	15
	A10D	9.6	11.6	17	20	15	15	10	15
	A12D	11.2	13.5	19	20	17	20	10	15
	A15D	14.4	17.4	24	25	22	25	10	15
	A20D	19.2	23.3	31	35	30	30	10	15
A036DM	NONE	—	—	10	15	—	—	10	15
	A06D	5.6	6.7	11	15	9	15	10	15
	A10D	9.6	11.6	17	20	15	15	10	15
	A12D	11.2	13.5	19	20	17	20	10	15
	A15D	14.4	17.4	24	25	22	25	10	15
	A20D	19.2	23.3	32	35	30	30	10	15
A048DK	NONE	—	—	11	15	—	—	11	15
	A06D	5.6	6.7	11	15	9	15	11	15
	A10D	9.6	11.6	18	20	15	15	11	15
	A12D	11.2	13.5	20	20	17	20	11	15
	A15D	14.4	17.4	25	25	22	25	11	15
	A20D	19.2	23.3	32	35	30	30	11	15
A048DL	NONE	—	—	11	15	—	—	11	15
	A06D	5.6	6.7	11	15	9	15	11	15
	A10D	9.6	11.6	17	20	15	15	11	15
	A12D	11.2	13.5	19	20	17	20	11	15
	A15D	14.4	17.4	24	25	22	25	11	15
	A20D	19.2	23.3	31	35	30	30	11	15

Unit Model No. RLPN-	Heater Kit Model No. RXJJ-	Heater kW @ 480 V	Heater Kit FLA	Unit Min. Ckt. Ampacity	Max. Fuse or Ckt. Bkr. Size (Ckt. Bkr. Must be HACR Type for USA)	Heater Kit Min. Ckt. Ampacity	Heater Kit Max. Fuse or Ckt. Bkr. Size (Ckt. Bkr. Must be HACR Type for USA)	Air Conditioner Min. Ckt. Ampacity	Air Conditioner Max. Fuse or Ckt. Bkr. Size (Ckt. Bkr. Must be HACR Type for USA)
A048DM	NONE	—	—	11	15	—	—	11	15
	A06D	5.6	6.7	11	15	9	15	11	15
	A10D	9.6	11.6	17	20	15	15	11	15
	A12D	11.2	13.5	19	20	17	20	11	15
	A15D	14.4	17.4	24	25	22	25	11	15
	A20D	19.2	23.3	32	35	30	30	11	15
A060DK	NONE	—	—	15	20	—	—	15	20
	A06D	5.6	6.7	15	20	9	15	15	20
	A10D	9.6	11.6	20	20	15	15	15	20
	A12D	11.2	13.5	22	25	17	20	15	20
	A15D	14.4	17.4	27	30	22	25	15	20
	A20D	19.2	23.3	35	35	30	30	15	20
A060DL	NONE	—	—	13	20	—	—	13	20
	A06D	5.6	6.7	13	20	9	15	13	20
	A10D	9.6	11.6	17	20	15	15	13	20
	A12D	11.2	13.5	19	20	17	20	13	20
	A15D	14.4	17.4	24	25	22	25	13	20
	A20D	19.2	23.3	32	35	30	30	13	20
A060DM	A24D	24	28.9	39	40	37	40	13	20
	NONE	—	—	13	20	—	—	13	20
	A06D	5.6	6.7	13	20	9	15	13	20
	A10D	9.6	11.6	18	20	15	15	13	20
	A12D	11.2	13.5	20	20	17	20	13	20
	A15D	14.4	17.4	25	25	22	25	13	20
A20D	19.2	23.3	32	35	30	30	13	20	
A24D	24	28.9	39	40	37	40	13	20	



Unit Model No. RLPN-	Heater Kit Model No. RXJJ-	Heater kW @ 208/240 V	Heater Kit FLA	Unit Min. Ckt. Ampacity	Max. Fuse or Ckt. Bkr. Size (Ckt. Bkr. Must be HACR Type for USA)	Heater Kit Min. Ckt. Ampacity	Heater Kit Max. Fuse or Ckt. Bkr. Size (Ckt. Bkr. Must be HACR Type for USA)	Air Conditioner Min. Ckt. Ampacity	Air Conditioner Max. Fuse or Ckt. Bkr. Size (Ckt. Bkr. Must be HACR Type for USA)
A036JK	NONE	—	—	24/24	35/35	—	—	24/24	35/35
	A06J	4.2/5.6	20.2/23.3	31/35	35/35	26/30	30/30	24/24	35/35
	A10J	7.2/9.6	34.6/40	49/55	50/60	44/50	45/50	24/24	35/35
	A12J	8.4/11.2	40.4/46.7	56/64	60/70	51/59	60/60	24/24	35/35
	A15J	10.8/14.4	51.9/60	70/80	70/80	65/75	70/80	24/24	35/35
	A20J	14.4/19.2	69.3/80	92/105	100/110	87/100	90/100	24/24	35/35
A048JK	NONE	—	—	31/31	50/50	—	—	31/31	50/50
	A06J	4.2/5.6	20.2/23.3	31/35	50/50	26/30	30/30	31/31	50/50
	A10J	7.2/9.6	34.6/40	49/55	50/60	44/50	45/50	31/31	50/50
	A12J	8.4/11.2	40.4/46.7	56/64	60/70	51/59	60/60	31/31	50/50
	A15J	10.8/14.4	51.9/60	70/80	70/80	65/75	70/80	31/31	50/50
	A20J	14.4/19.2	69.3/80	92/105	100/110	87/100	90/100	31/31	50/50
A060JK	NONE	—	—	43/43	60/60	—	—	43/43	60/60
	A06J	4.2/5.6	20.2/23.3	43/43	60/60	26/30	30/30	43/43	60/60
	A10J	7.2/9.6	34.6/40	53/60	60/60	44/50	45/50	43/43	60/60
	A12J	8.4/11.2	40.4/46.7	61/68	60/70	51/59	60/60	43/43	60/60
	A15J	10.8/14.4	51.9/60	75/85	80/90	65/75	70/80	43/43	60/60
	A20J	14.4/19.2	69.3/80	97/110	100/110	87/100	90/100	43/43	60/60

Unit Model No. RLPN-	Heater Kit Model No. RXJJ-	Heater kW @ 600 V	Heater Kit FLA	Unit Min. Ckt. Ampacity	Max. Fuse or Ckt. Bkr. Size (Ckt. Bkr. Must be HACR Type for USA)	Heater Kit Min. Ckt. Ampacity	Heater Kit Max. Fuse or Ckt. Bkr. Size (Ckt. Bkr. Must be HACR Type for USA)	Air Conditioner Min. Ckt. Ampacity	Air Conditioner Max. Fuse or Ckt. Bkr. Size (Ckt. Bkr. Must be HACR Type for USA)
A036YL	NONE	—	—	7	15	—	—	7	15
	A15Y	14.4	13.9	19	20	18	20	7	15
	A20Y	19.2	18.8	26	30	24	25	7	15
A036YM	NONE	—	—	7	15	—	—	7	15
	A15Y	14.4	13.9	19	20	18	20	7	15
	A20Y	19.2	18.8	26	30	24	25	7	15
A048YL	NONE	—	—	8	15	—	—	8	15
	A15Y	14.4	13.9	19	20	18	20	8	15
	A20Y	19.2	18.8	26	30	24	25	8	15
A048YM	NONE	—	—	8	15	—	—	8	15
	A15Y	14.4	13.9	19	20	18	20	8	15
	A20Y	19.2	18.8	26	30	24	25	8	15
A060YL	NONE	—	—	10	15	—	—	10	15
	A15Y	14.4	13.9	19	20	18	20	10	15
	A20Y	19.2	18.8	26	30	24	25	10	15
A060YM	NONE	—	—	10	15	—	—	10	15
	A15Y	14.4	13.9	20	20	18	20	10	15
	A20Y	19.2	18.8	26	30	24	25	10	15



Unit Model No. RLQN-	Heater Kit Model No. RXJJ-	Heater kW @ 208/240 V	Heater Kit FLA	Unit Min. Ckt. Ampacity	Max. Fuse or Ckt. Bkr. Size (Ckt. Bkr. Must be HACR Type for USA)	Heater Kit Min. Ckt. Ampacity	Heater Kit Max. Fuse or Ckt. Bkr. Size (Ckt. Bkr. Must be HACR Type for USA)	Air Conditioner Min. Ckt. Ampacity	Air Conditioner Max. Fuse or Ckt. Bkr. Size (Ckt. Bkr. Must be HACR Type for USA)
A036CK	NONE	—	—	17/17	25/25	—	—	17/17	25/25
	A06C	4.2/5.6	11.7/13.5	20/22	25/25	15/17	15/20	17/17	25/25
	A10C	7.2/9.6	20/23.1	31/35	35/35	25/29	25/30	17/17	25/25
	A12C	8.4/11.2	23.4/27	35/39	35/40	30/34	30/35	17/17	25/25
	A15C	10.8/14.4	30.1/34.7	43/49	45/50	38/44	40/45	17/17	25/25
	A20C	14.4/19.2	40/46.3	56/63	60/70	50/58	50/60	17/17	25/25
A036CL	NONE	—	—	16/16	20/20	—	—	16/16	20/20
	A06C	4.2/5.6	11.7/13.5	19/21	20/25	15/17	15/20	16/16	20/20
	A10C	7.2/9.6	20/23.1	29/33	30/35	25/29	25/30	16/16	20/20
	A12C	8.4/11.2	23.4/27	33/38	35/40	30/34	30/35	16/16	20/20
	A15C	10.8/14.4	30.1/34.7	42/47	45/50	38/44	40/45	16/16	20/20
	A20C	14.4/19.2	40/46.3	54/62	60/70	50/58	50/60	16/16	20/20
A036CM	NONE	—	—	16/16	20/20	—	—	16/16	20/20
	A06C	4.2/5.6	11.7/13.5	19/21	20/25	15/17	15/20	16/16	20/20
	A10C	7.2/9.6	20/23.1	29/33	30/35	25/29	25/30	16/16	20/20
	A12C	8.4/11.2	23.4/27	33/38	35/40	30/34	30/35	16/16	20/20
	A15C	10.8/14.4	30.1/34.7	42/47	45/50	38/44	40/45	16/16	20/20
	A20C	14.4/19.2	40/46.3	54/62	60/70	50/58	50/60	16/16	20/20
A048CK	NONE	—	—	24/24	35/35	—	—	24/24	35/35
	A06C	4.2/5.6	11.7/13.5	24/25	35/35	15/17	15/20	24/24	35/35
	A10C	7.2/9.6	20/23.1	33/37	35/40	25/29	25/30	24/24	35/35
	A12C	8.4/11.2	23.4/27	37/42	40/45	30/34	30/35	24/24	35/35
	A15C	10.8/14.4	30.1/34.7	46/51	50/60	38/44	40/45	24/24	35/35
	A20C	14.4/19.2	40/46.3	58/66	60/70	50/58	50/60	24/24	35/35
A048CL	NONE	—	—	21/21	30/30	—	—	21/21	30/30
	A06C	4.2/5.6	11.7/13.5	21/21	30/30	15/17	15/20	21/21	30/30
	A10C	7.2/9.6	20/23.1	29/33	30/35	25/29	25/30	21/21	30/30
	A12C	8.4/11.2	23.4/27	33/38	35/40	30/34	30/35	21/21	30/30
	A15C	10.8/14.4	30.1/34.7	42/47	45/50	38/44	40/45	21/21	30/30
	A20C	14.4/19.2	40/46.3	54/62	60/70	50/58	50/60	21/21	30/30

Unit Model No. RLQN-	Heater Kit Model No. RXJJ-	Heater kW @ 208/240 V	Heater Kit FLA	Unit Min. Ckt. Ampacity	Max. Fuse or Ckt. Bkr. Size (Ckt. Bkr. Must be HACR Type for USA)	Heater Kit Min. Ckt. Ampacity	Heater Kit Max. Fuse or Ckt. Bkr. Size (Ckt. Bkr. Must be HACR Type for USA)	Air Conditioner Min. Ckt. Ampacity	Air Conditioner Max. Fuse or Ckt. Bkr. Size (Ckt. Bkr. Must be HACR Type for USA)
A048CM	NONE	—	—	22/22	30/30	—	—	22/22	30/30
	A06C	4.2/5.6	11.7/13.5	22/22	30/30	15/17	15/20	22/22	30/30
	A10C	7.2/9.6	20/23.1	30/34	30/35	25/29	25/30	22/22	30/30
	A12C	8.4/11.2	23.4/27	34/39	35/40	30/34	30/35	22/22	30/30
	A15C	10.8/14.4	30.1/34.7	42/48	45/50	38/44	40/45	22/22	30/30
	A20C	14.4/19.2	40/46.3	55/63	60/70	50/58	50/60	22/22	30/30
A060CK	NONE	—	—	31/31	45/45	—	—	31/31	45/45
	A06C	4.2/5.6	11.7/13.5	31/31	45/45	15/17	15/20	31/31	45/45
	A10C	7.2/9.6	20/23.1	35/39	45/45	25/29	25/30	31/31	45/45
	A12C	8.4/11.2	23.4/27	39/44	45/45	30/34	30/35	31/31	45/45
	A15C	10.8/14.4	30.1/34.7	48/53	50/60	38/44	40/45	31/31	45/45
	A20C	14.4/19.2	40/46.3	60/68	60/70	50/58	50/60	31/31	45/45
A060CV	NONE	—	—	32/32	45/45	—	—	32/32	45/45
	A06C	4.2/5.6	11.7/13.5	32/32	45/45	15/17	15/20	32/32	45/45
	A10C	7.2/9.6	20/23.1	37/41	45/45	25/29	25/30	32/32	45/45
	A12C	8.4/11.2	23.4/27	41/46	45/50	30/34	30/35	32/32	45/45
	A15C	10.8/14.4	30.1/34.7	50/55	50/60	38/44	40/45	32/32	45/45
	A20C	14.4/19.2	40/46.3	62/70	70/70	50/58	50/60	32/32	45/45
A24C	18/24	50/57.7	74/84	80/90	63/73	70/80	32/32	45/45	



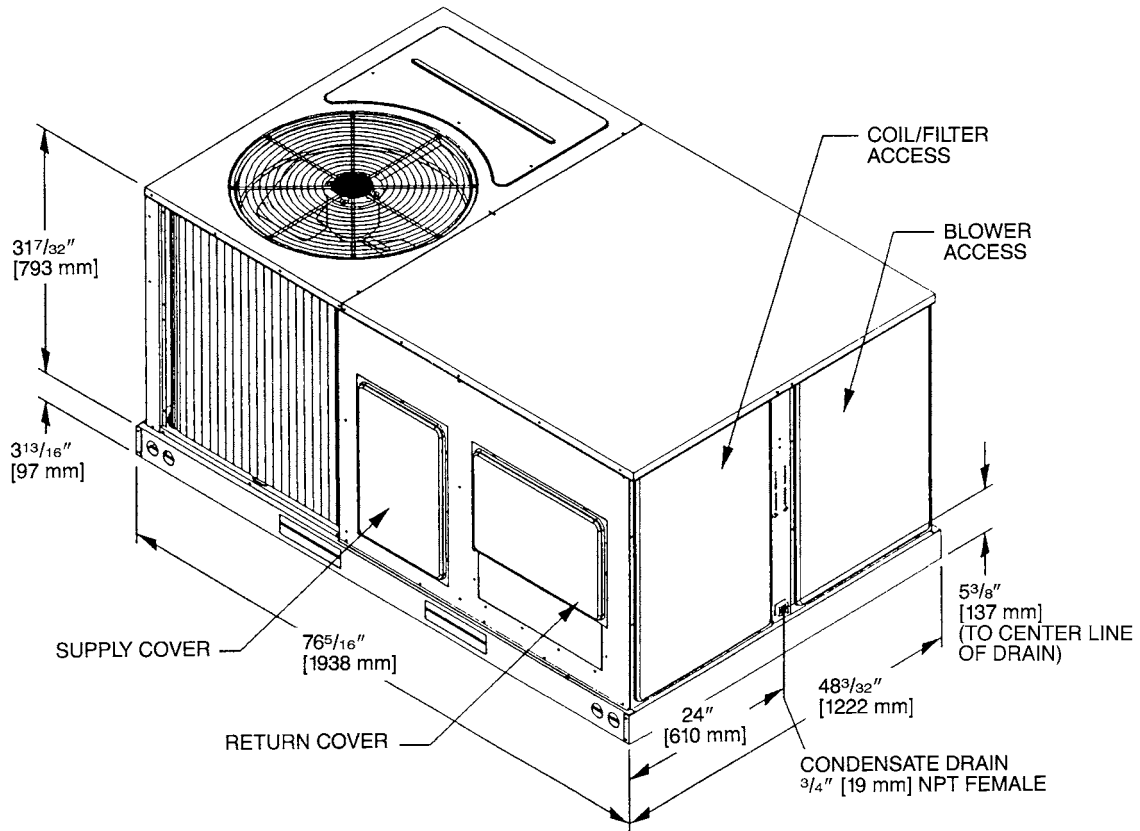
Unit Model No. RLQN-	Heater Kit Model No. RXJJ-	Heater kW @ 480 V	Heater Kit FLA	Unit Min. Ckt. Ampacity	Max. Fuse or Ckt. Bkr. Size (Ckt. Bkr. Must be HACR Type for USA)	Heater Kit Min. Ckt. Ampacity	Heater Kit Max. Fuse or Ckt. Bkr. Size (Ckt. Bkr. Must be HACR Type for USA)	Air Conditioner Min. Ckt. Ampacity	Air Conditioner Max. Fuse or Ckt. Bkr. Size (Ckt. Bkr. Must be HACR Type for USA)
A036DK	NONE	—	—	11	15	—	—	11	15
	A06D	5.6	6.7	11	15	9	15	11	15
	A10D	9.6	11.6	18	20	15	15	11	15
	A12D	11.2	13.5	20	20	17	20	11	15
	A15D	14.4	17.4	25	25	22	25	11	15
	A20D	19.2	23.3	32	35	30	30	11	15
A036DL	NONE	—	—	10	15	—	—	10	15
	A06D	5.6	6.7	11	15	9	15	10	15
	A10D	9.6	11.6	17	20	15	15	10	15
	A12D	11.2	13.5	19	20	17	20	10	15
	A15D	14.4	17.4	24	25	22	25	10	15
	A20D	19.2	23.3	31	35	30	30	10	15
A036DM	NONE	—	—	10	15	—	—	10	15
	A06D	5.6	6.7	11	15	9	15	10	15
	A10D	9.6	11.6	17	20	15	15	10	15
	A12D	11.2	13.5	19	20	17	20	10	15
	A15D	14.4	17.4	24	25	22	25	10	15
	A20D	19.2	23.3	31	35	30	30	10	15
A048DK	NONE	—	—	12	15	—	—	12	15
	A06D	5.6	6.7	13	15	9	15	12	15
	A10D	9.6	11.6	19	20	15	15	12	15
	A12D	11.2	13.5	21	25	17	20	12	15
	A15D	14.4	17.4	26	30	22	25	12	15
	A20D	19.2	23.3	34	35	30	30	12	15
A048DL	NONE	—	—	11	15	—	—	11	15
	A06D	5.6	6.7	11	15	9	15	11	15
	A10D	9.6	11.6	17	20	15	15	11	15
	A12D	11.2	13.5	19	20	17	20	11	15
	A15D	14.4	17.4	24	25	22	25	11	15
	A20D	19.2	23.3	31	35	30	30	11	15

Unit Model No. RLQN-	Heater Kit Model No. RXJJ-	Heater kW @ 480 V	Heater Kit FLA	Unit Min. Ckt. Ampacity	Max. Fuse or Ckt. Bkr. Size (Ckt. Bkr. Must be HACR Type for USA)	Heater Kit Min. Ckt. Ampacity	Heater Kit Max. Fuse or Ckt. Bkr. Size (Ckt. Bkr. Must be HACR Type for USA)	Air Conditioner Min. Ckt. Ampacity	Air Conditioner Max. Fuse or Ckt. Bkr. Size (Ckt. Bkr. Must be HACR Type for USA)
A048DM	NONE	—	—	11	15	—	—	11	15
	A06D	5.6	6.7	11	15	9	15	11	15
	A10D	9.6	11.6	17	20	15	15	11	15
	A12D	11.2	13.5	19	20	17	20	11	15
	A15D	14.4	17.4	24	25	22	25	11	15
	A20D	19.2	23.3	32	35	30	30	11	15
A060DK	NONE	—	—	15	20	—	—	15	20
	A06D	5.6	6.7	15	20	9	15	15	20
	A10D	9.6	11.6	20	20	15	15	15	20
	A12D	11.2	13.5	22	25	17	20	15	20
	A15D	14.4	17.4	27	30	22	25	15	20
	A20D	19.2	23.3	35	35	30	30	15	20
A060DV	NONE	—	—	16	20	—	—	16	20
	A06D	5.6	6.7	16	20	9	15	16	20
	A10D	9.6	11.6	21	25	15	15	16	20
	A12D	11.2	13.5	23	25	17	20	16	20
	A15D	14.4	17.4	28	30	22	25	16	20
	A20D	19.2	23.3	35	35	30	30	16	20
	A24D	24	28.9	42	45	37	40	16	20

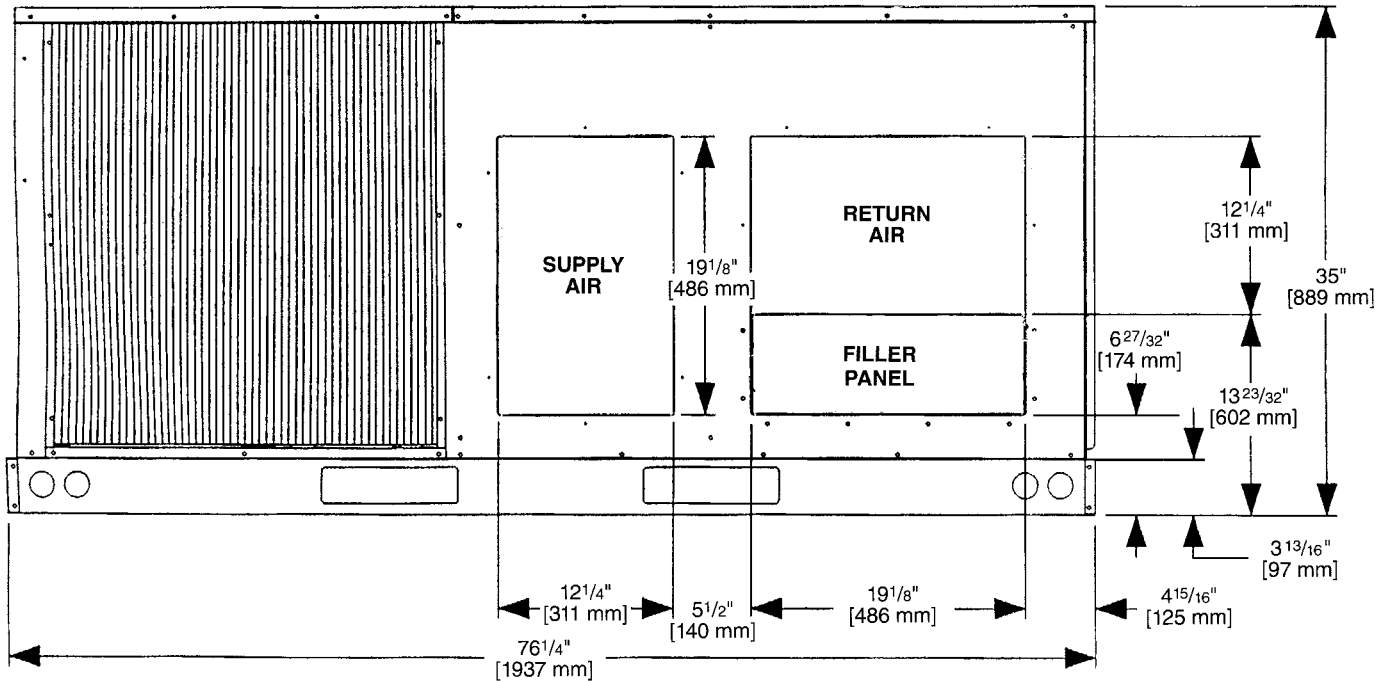


Unit Model No. RLQN-	Heater Kit Model No. RXJJ-	Heater kW @ 208/240 V	Heater Kit FLA	Unit Min. Ckt. Ampacity	Max. Fuse or Ckt. Bkr. Size (Ckt. Bkr. Must be HACR Type for USA)	Heater Kit Min. Ckt. Ampacity	Heater Kit Max. Fuse or Ckt. Bkr. Size (Ckt. Bkr. Must be HACR Type for USA)	Air Conditioner Min. Ckt. Ampacity	Air Conditioner Max. Fuse or Ckt. Bkr. Size (Ckt. Bkr. Must be HACR Type for USA)
A036JK	NONE	—	—	24/24	35/35	—	—	24/24	35/35
	A06J	4.2/5.6	20.2/23.3	31/35	35/35	26/30	30/30	24/24	35/35
	A10J	7.2/9.6	34.6/40	49/56	50/60	44/50	45/50	24/24	35/35
	A12J	8.4/11.2	40.4/46.7	56/64	60/70	51/59	60/60	24/24	35/35
	A15J	10.8/14.4	51.9/60	71/81	70/90	65/75	70/80	24/24	35/35
	A20J	14.4/19.2	69.3/80	92/106	100/110	87/100	90/100	24/24	35/35
A048JK	NONE	—	—	33/33	50/50	—	—	33/33	50/50
	A06J	4.2/5.6	20.2/23.3	33/37	50/50	26/30	30/30	33/33	50/50
	A10J	7.2/9.6	34.6/40	51/58	60/60	44/50	45/50	33/33	50/50
	A12J	8.4/11.2	40.4/46.7	59/66	60/70	51/59	60/60	33/33	50/50
	A15J	10.8/14.4	51.9/60	73/83	80/90	65/75	70/80	33/33	50/50
	A20J	14.4/19.2	69.3/80	95/108	100/110	87/100	90/100	33/33	50/50
A060JK	NONE	—	—	46/46	60/60	—	—	46/46	60/60
	A06J	4.2/5.6	20.2/23.3	46/46	70/70	26/30	30/30	46/46	60/60
	A10J	7.2/9.6	34.6/40	53/60	70/70	44/50	45/50	46/46	60/60
	A12J	8.4/11.2	40.4/46.7	61/68	70/70	51/59	60/60	46/46	60/60
	A15J	10.8/14.4	51.9/60	75/85	80/90	65/75	70/80	46/46	60/60
	A20J	14.4/19.2	69.3/80	97/110	100/110	87/100	90/100	46/46	60/60

3 TO 5 TON [10.6 TO 17.6 kW] MODELS

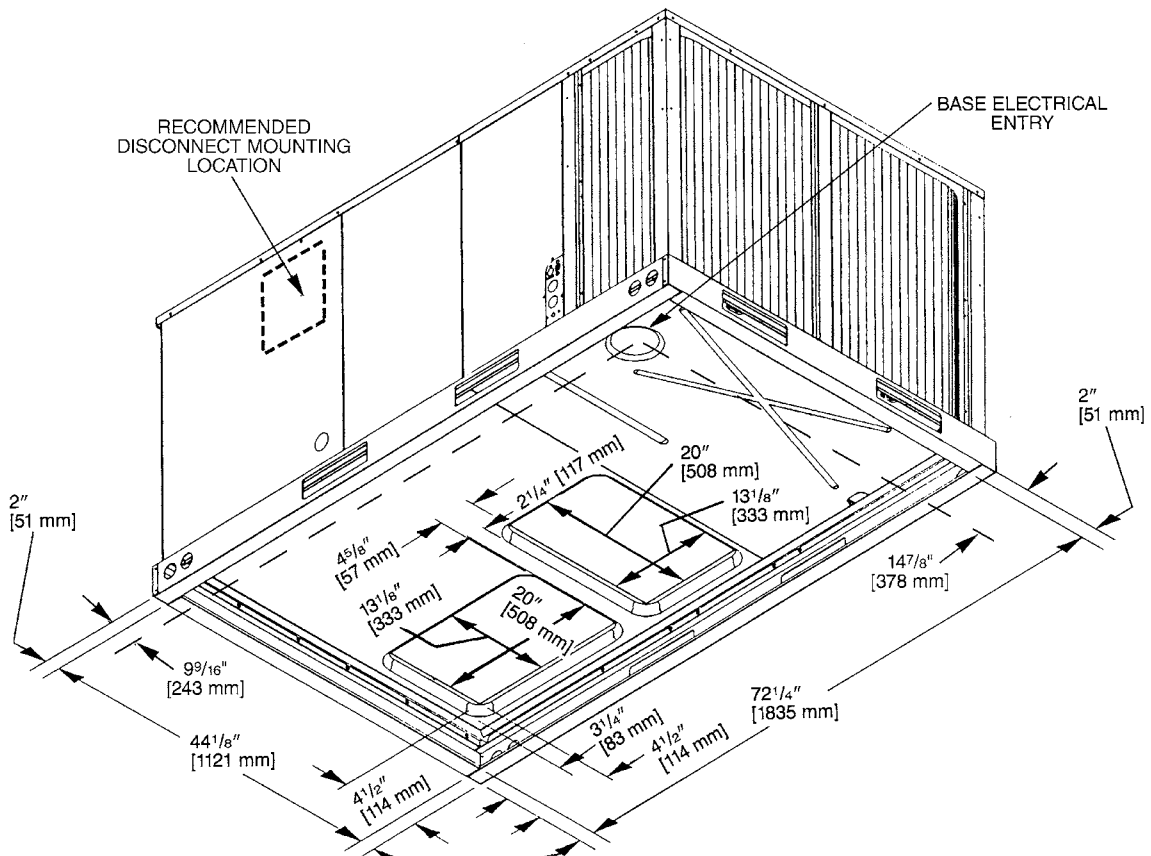
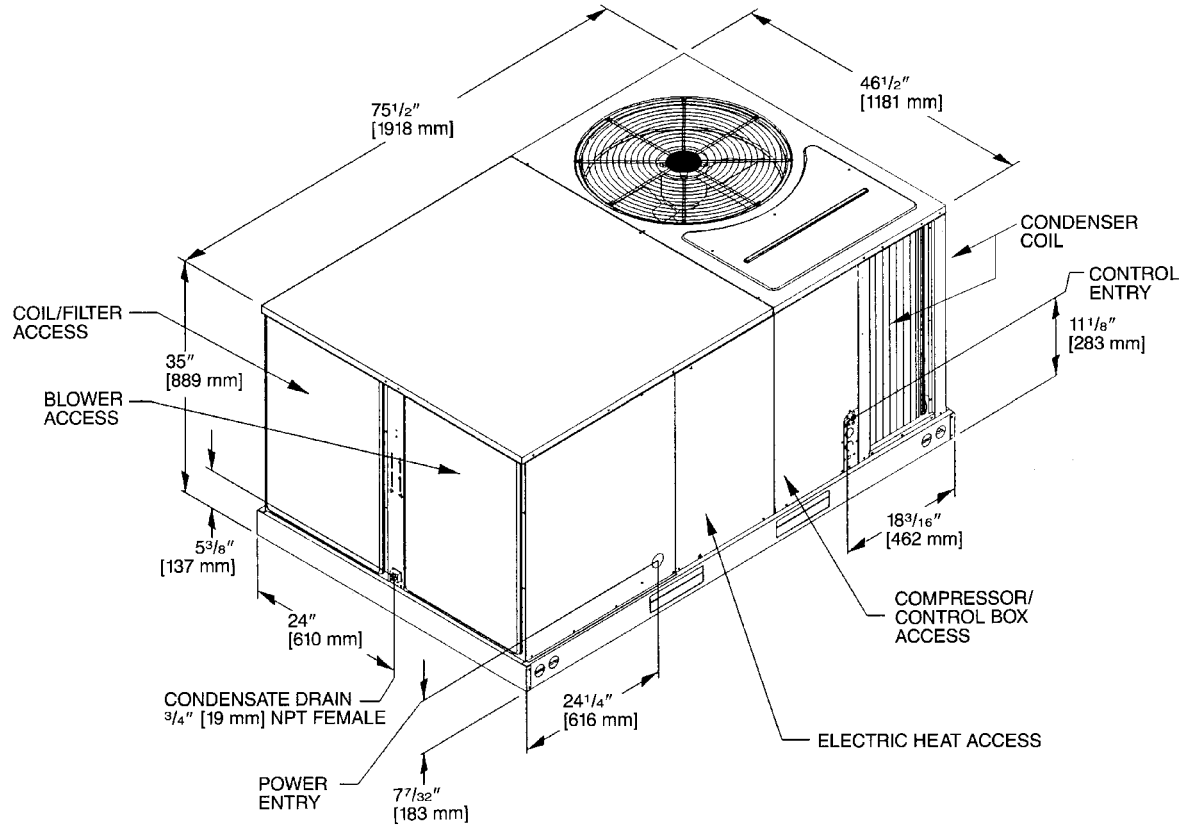


SUPPLY AND RETURN DIMENSIONS



[] Designates Metric Conversions

3 TO 5 TON [10.6 TO 17.6 kW] MODELS



[] Designates Metric Conversions

BOTTOM VIEW

WEIGHTS

Accessory	3-5 Ton [10.6-17.6 kW]	
	Shipping	Operating
	lbs [kg]	lbs [kg]
Economizer with Single Enthalpy	71 [32]	70 [32]
Economizer with Smoke Detector	74 [34]	73 [33]
Power Exhaust	70 [32]	67 [30]
Fresh Air Damper (Manual)	11 [5]	9 [4]
Fresh Air Damper (Motorized)	13 [6]	11 [5]
Roof Curb 14"	92 [42]	88 [40]
Roof Curb 24"	108 [49]	104 [47]
Concentric Diffuser 18" Flush	37 [17]	26 [12]
Concentric Diffuser 20" Flush	54 [24]	42 [19]
Side Discharge Concentric Diffuser RXRN-FA60	35 [16]	20 [9]
Side Discharge Concentric Diffuser RXRN-FA65	55 [25]	40 [18]

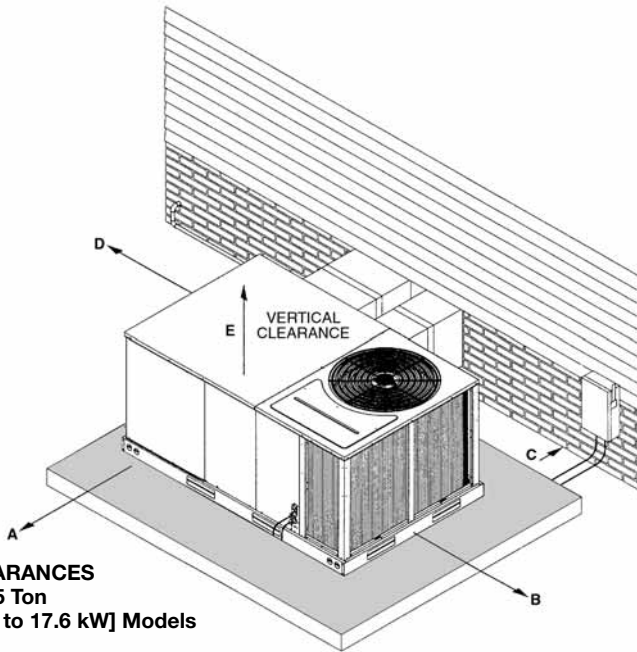
CLEARANCES

(3 to 5 Ton [10.6 to 17.6 kW] Models)

The following minimum clearances are recommended for proper unit performance and serviceability.

Recommended Clearance in. [mm]	Location
48 [1219]	A - Front
18 [457]	B - Condenser Coil
*12 [305]	C - Duct Side
36 [914]	D - Evaporator End
60 [1524]	E - Above
*57" [1448 mm] With Economizer	

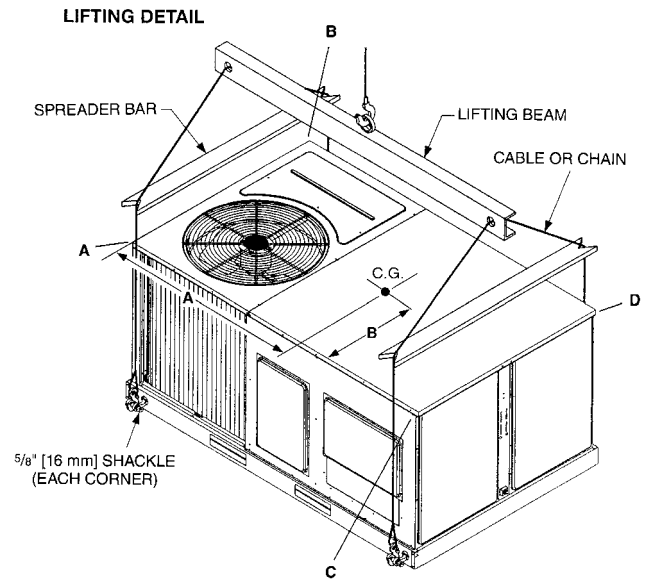
NOTE: Supply duct may be installed with "0" inch clearance to combustible materials, provided 1" [25.4 mm] minimum. Fiberglass insulation is applied either inside or on the outside of the duct.



CENTER OF GRAVITY (C.G.)

Capacity Tons [kW]	A in. [mm]	B in. [mm]
3-5 [10.6-17.6]	38 ¹ / ₄ [972]	25 ³ / ₄ [654]

Capacity Tons [kW]	Corner Weights by Percentage			
	A	B	C	D
3-5 [10.6-17.6]	22%	27%	23%	28%



[] Designates Metric Conversions

Accessory Description	Model Application 3 to 5 Ton [10.6 to 17.6 kW]	Accessory Model No. 3 to 5 Ton [10.6 to 17.6 kW]	Factory Installed 3 to 5 Ton [10.6 to 17.6 kW]
Thermostats	RLPN/RLQN	See Thermostat Specification Sheet (T11-001)	No
Electric Heater Kits	RLPN/RLQN	RXJJ-A06 (J,C,D) RXJJ-A10 (J,C,D) RXJJ-A11 (J,C,D) RXJJ-A12 (J,C,D) RXJJ-A15 (J,C,D) RXJJ-A20 (J,C,D) RXJJ-A21 (J,C,D) RXJJ-A24 (J,C,D)	See Heater Kit Electric Table
Roofcurb, 14"	RLPN/RLQN	RXKG-CAD14	No
Roofcurb, 24"	RLPN/RLQN	RXKG-CAD24	No
Roofcurb Adapters	RLPN/RLQN	RXXR-BBCDB21 RXXR-BBCDB22 RXXR-BBCDB23	No
Economizer with Single Enthalpy ①	RLPN/RLQN	AXRD-01RECAM3	Yes
Economizer with Smoke Detector ①	RLPN/RLQN	AXRD-01RECBM3	Yes
Dual Enthalpy Kit	RLPN/RLQN	RXXR-AV04	No
CO ₂ Sensor	RLPN/RLQN	RXXR-AR02	No
Power Exhaust	RLPN/RLQN	AXRX-BGF04 (C, D & Y)	No
Fresh Air Damper Manual	RLPN/RLQN	AXRF-FBA1	No
Fresh Air Damper Motorized	RLPN/RLQN	AXRF-FBB1	No
Rectangular to Round 18" Duct Adapters for Concentric Diffuser	RLPN/RLQN	RXMC-CB03	No
Rectangular to Round 20" Duct Adapters for Concentric Diffuser	RLPN/RLQN	RXMC-CB04	No
Concentric Diffuser 18" Step	RLPN/RLQN	RXRN-FA60, RXRN-FA65	No
Concentric Diffuser 18" Flush	RLPN/RLQN	RXRN-FA70, RXRN-FA75	No
Rectangular to Round 16" Side	RLPN/RLQN	RXMC-BB01	No
Louver Kit (2 Sides) 3-Ton	RLPN/RLQN	AXRX-AA02B	Yes
Louver Kit (3 Sides) 4 & 5-Ton	RLPN/RLQN	AXRX-AA01B	Yes
Time Delay	RLPN/RLQN	RXMD-B01	Yes
Low Ambient Control to 0°F [-18°C]	RLPN/RLQN	RXRZ-A04	Yes
Freeze Stat	RLPN/RLQN	RXXR-AM05	Yes

*Voltage
 J = 208-230 VAC-1PH-60HZ D = 460 VAC-3PH-60HZ
 C = 208-230 VAC-3PH-60HZ

NOTES: ① Economizer is designed for downflow or horizontal applications.

[] Designates Metric Conversions

THERMOSTATS



200-Series *
Programmable



300-Series *
Deluxe
Programmable

400-Series *
Special Applications/
Programmable

Brand	Descriptor (3 Characters)	Series (3 Characters)	System (2 Characters)	Type (2 Characters)
RHC	- TST	213	UN	MS
RHC=Rheem	TST=Thermostat	200=Programmable 300=Deluxe Programmable 400=Special Applications/ Programmable	GE=Gas/Electric UN=Universal (AC/HP/GE) MD=Modulating Furnace DF=Dual Fuel	SS=Single-Stage MS=Multi-Stage

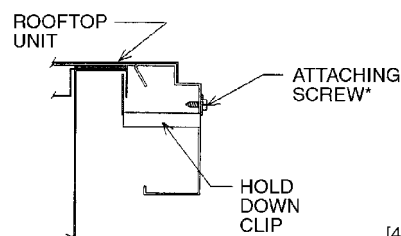
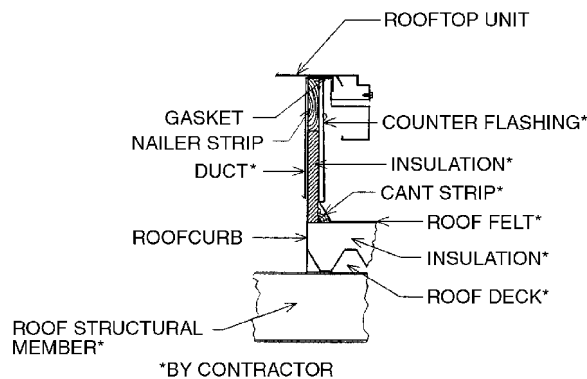
* Photos are representative. Actual models may vary.

For detailed thermostat match-up information,
see specification sheet form number T11-001.

ROOFCURBS (Full Perimeter)

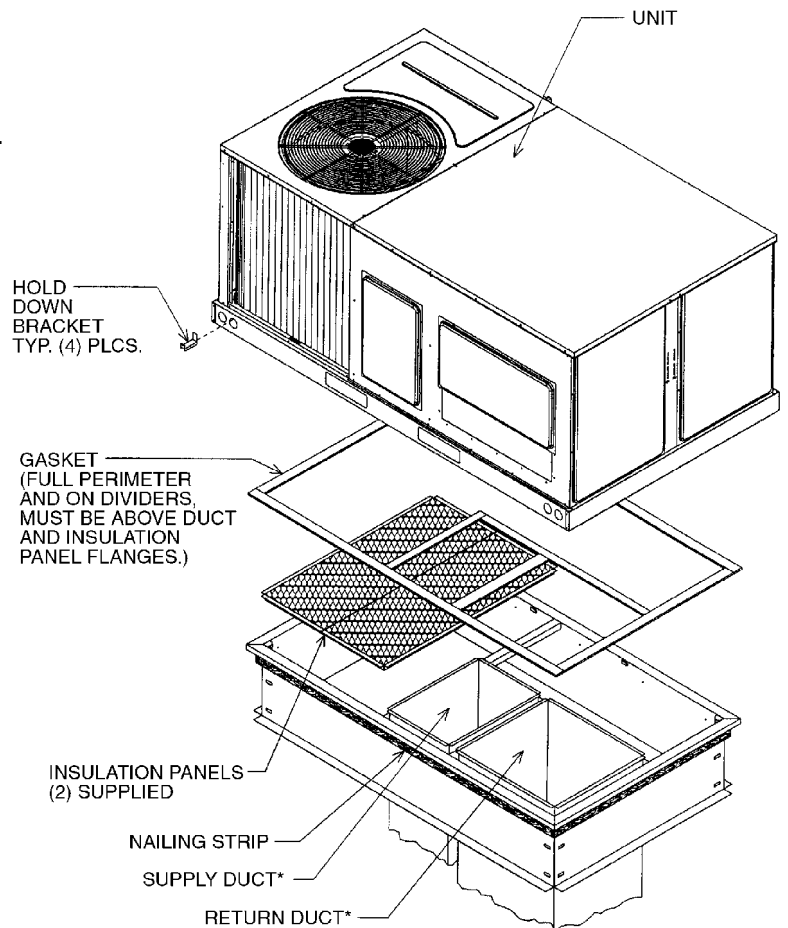
- Rheem's new roofcurb design can be utilized on 3 through 5 ton [10.6-17.6 kW] models.
- Two available heights (14" [356 mm] and 24" [610 mm]) for ALL models.
- Quick assembly corners for simple and fast assembly.
- Opening provided in bottom pan to match the "Thru the Curb" electrical connection opening provided on the unit base pan.
- 2" [51 mm] x 4" [102 mm] Nailer provided.
- Insulating panels provided.
- Sealing gasket (28" [711 mm]) provided with Roofcurb.
- Packaged for easy field assembly.

Roofcurb Model	Height of Curb
RXKG-CAD14	14" [356 mm]
RXKG-CAD24	24" [610 mm]



[] Designates Metric Conversions

TYPICAL INSTALLATION



ROOFCURB FOR RLPN 3-5 TON [10.6-17.6 kW] MODELS

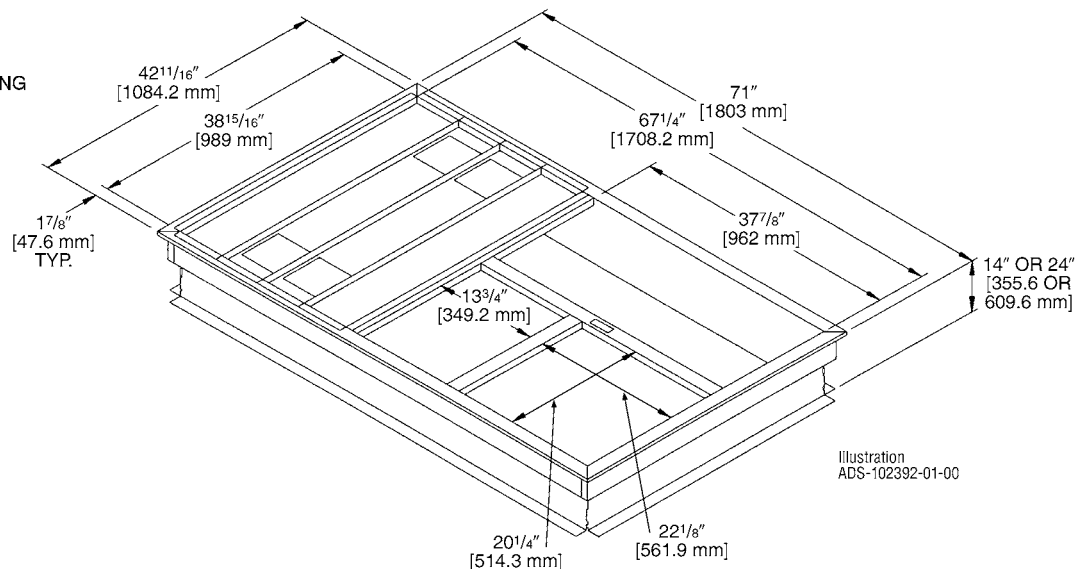


Illustration
ADS-102392-01-00

ROOFCURB ADAPTERS

Old Models

MEDIUM CABINET (3 TON [11 kW])

(-)SNC, (-)SND, (-)SNE
(-)RGE, (-)RGF, (-)RGG
(-)PNC, (-)PND

LARGE CABINET

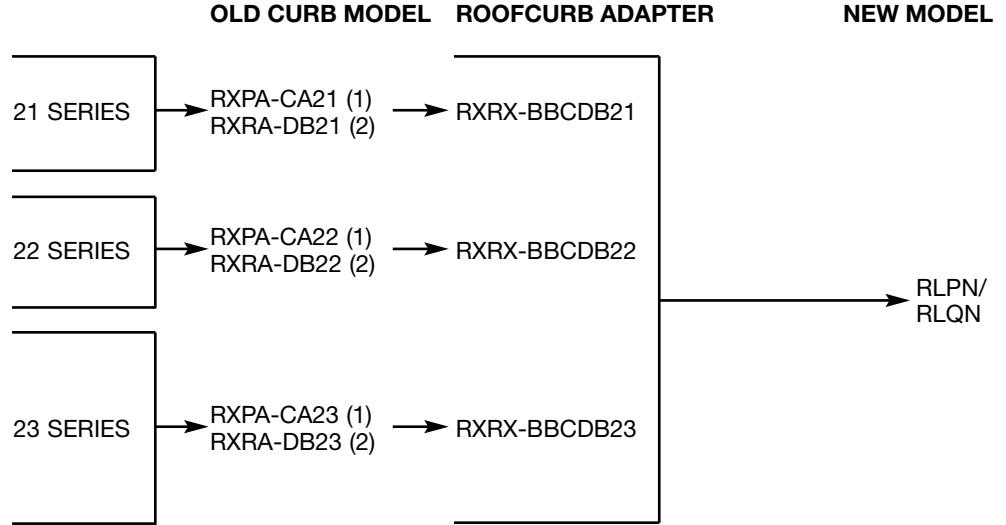
(3-3.5 TON [11-12 kW])

(-)RGE, (-)RGF, (-)RGG,
(-)RGH (3 TON [11 kW])

EXTRA LARGE CABINET

(3.5-5 TON [12-18 kW])

(-)SNC, (-)SND, (-)SNE
(-)RGE, (-)RGF,
(-)RGG (4-5 TON [14-18 kW])
(-)PNC, (-)PND, (-)RGH
(3.5, 4 TON [12-14 kW])

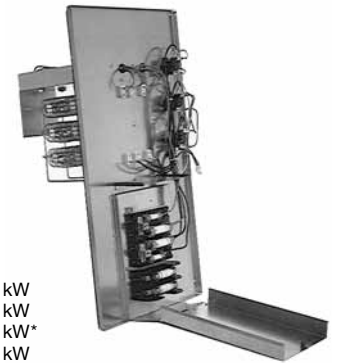
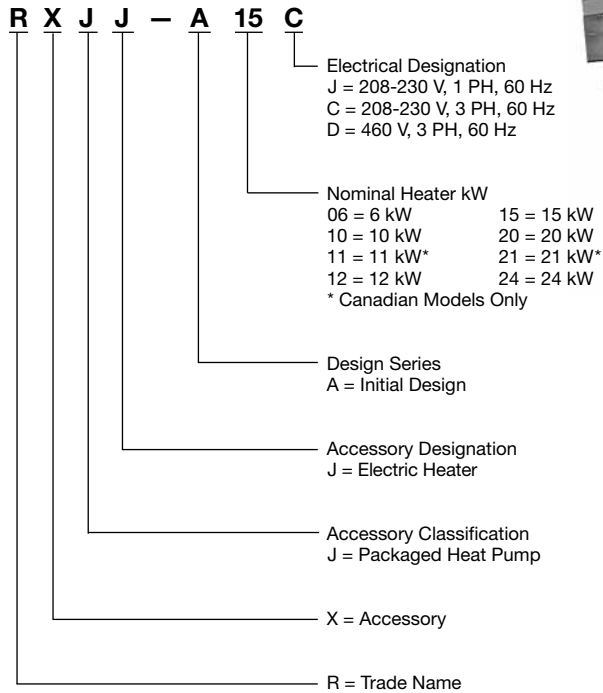


Field Installed Resistance Heater Kits

Electric Heater Kits are designed for field installation using either single-point power wiring or dual circuit wiring. Low voltage plugs are provided to allow for quick connection to the unit. Removing a block-off panel on the unit allows the heater elements to be inserted into the supply air down stream from the indoor coil and supply air blower.

[] Designates Metric Conversions

Model Number Identifier:



Roofcurb Adapters

Carrier to Rheem Roofcurb Adapter - RXXR-EACC35*
Replaces Carrier/Bryant/ICP Models:

Carrier Models		
Packaged G/E	Packaged AC	Packaged HP
48DJ*004 - 007	50DJ004 - 007	50QJ004-006
48GJ*006	50GJ006	
48HE*003 - 006	50HE003 - 006	50HEQ003 - 006
48HJ*004 - 007	50HJ004 - 007	50HJQ004 - 007
48HM*007	50HM007	
48LJ*004 - 007	50LJ004 - 007	50LJQ004 - 006
48TC*004 - 007	50TC004 - 007	50TCQ004 - 007
48TF-004 - 007	50TFF004 - 007	50TFQ004 - 007
48TJ*004 - 007	50TJ004 - 007	50TJQ004 - 007
48TM*004 - 007	50TM004 - 007	

Bryant Models		
Packaged G/E	Packaged AC	Packaged HP
581A*V036 - 072	551A*X036 - 072	549B*X036 - 072
581B*V036 - 072	551B*X036 - 072	
580C*V036 - 072	558C*X036 - 072	548C*X036 - 060
580D*V036 - 072	558D*X036 - 072	548D*X036 - 072
580F*V036 - 072	558F*X036 - 072	548F*X036 - 072
580J*04 - 07	558J*04 - 07	548J*04 - 07

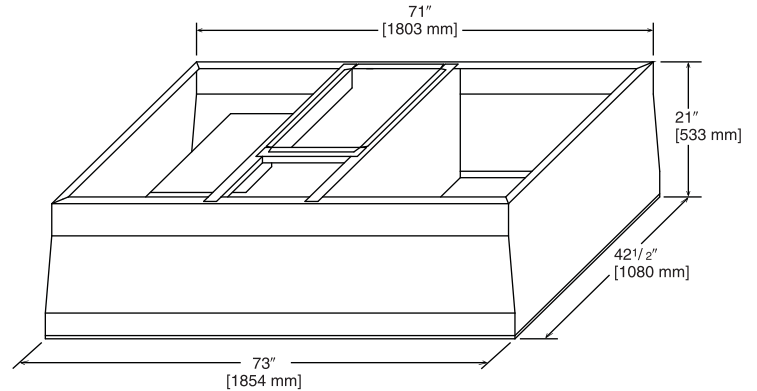
ICP Models		
Packaged G/E	Packaged AC	Packaged HP
PGE036 - 072	PAE036 - 072	PHE072
PGH036 - 072	PAH036 - 072	PHH036 - 072
PGS072	PAS072	PHS072
RGS036 - 072	RAS036 - 072	RHS036 - 072

*RXXR-EACC35 Carrier to Rheem roofcurb adapter requires high static "M" drive for all tonnages.

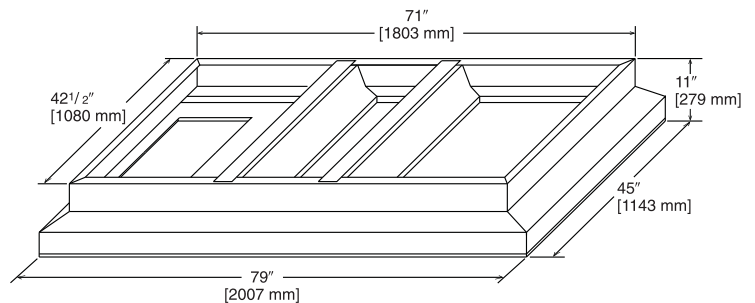
Trane to Rheem Roofcurb Adapter - RXXR-EACT35
Replaces Trane Models:

Trane Models		
Packaged G/E	Packaged AC	Packaged HP
YCD-036,037,048,049,060	TCD-036,037,048,049,060	WCD-036,037,048,049,060

Model #	CFM	Static Pressure
RXXR-EACT35	1000	.08
	1200	.10
	1400	.15
	1600	.18
	1800	.21
	2000	.25
	2200	.30



Model #	CFM	Static Pressure
RXXR-EACC35	1000	.20
	1200	.25
	1400	.30
	1600	.35
	1800	.40
	2000	.45
	2200	.50



[] Designates Metric Conversions

ECONOMIZERS

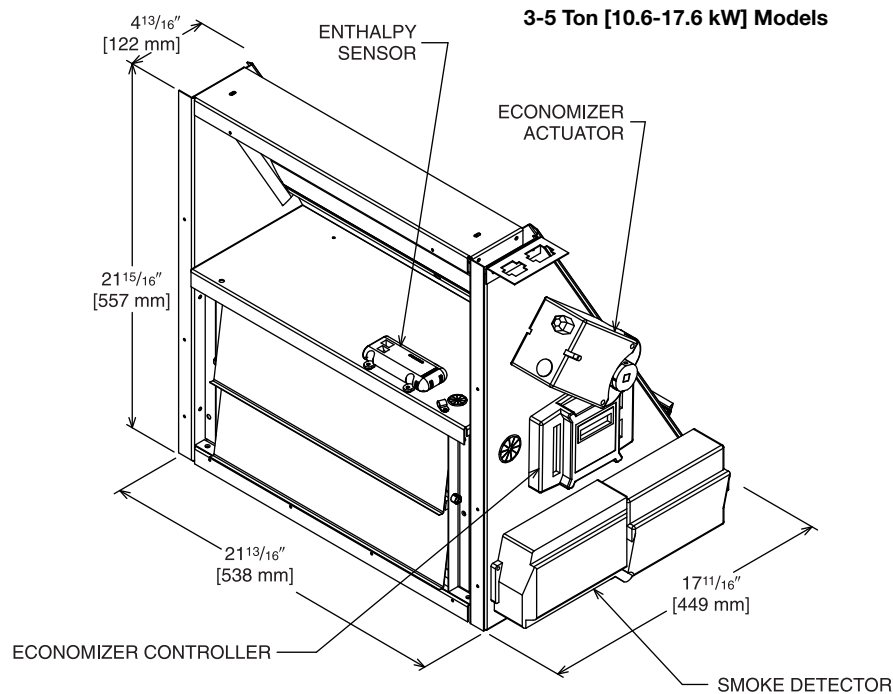
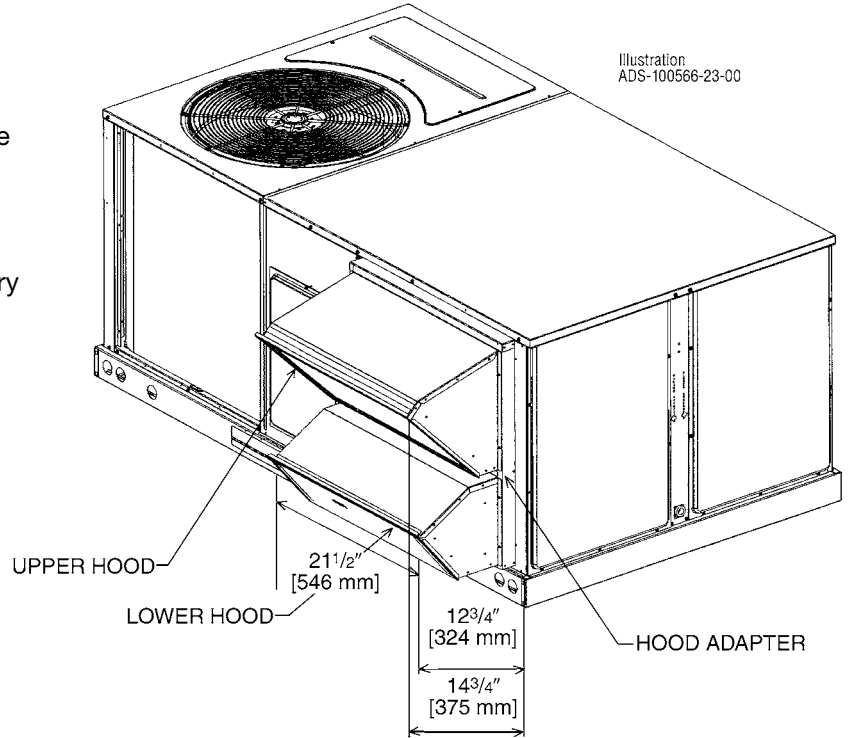
AXRD-01RECAM3—3-5 Ton [10.6-17.6 kW] Single Enthalpy Models

AXRD-01RECBM3—3-5 Ton [10.6-17.6 kW] Single Enthalpy w/Smoke Detector Models

**RRRX-AV04—Dual Enthalpy Kit
3-5 Ton [10.6-17.6 kW] Models**

RRRX-AR02—3-5 Ton [10.6-17.6 kW] Models Optional CO₂ Sensor

- Features **Honeywell JADE™** Digital Controls
- Available factory installed or field accessory
- Gear Driven Direct Drive Actuator
- Fully Modulating (0-100%)
- Ultra Low Leakage Dampers meet California Title 24 Requirements
- Horizontal or Downflow Applications
- Slip-In Design for Easy Installations
- Plug-In Polarized 12-pin Electrical Connections
- Pre-configured—No Field Adjustments Necessary
- Standard Barometric Relief Damper Provided
- Single Enthalpy with Dual Enthalpy Upgrade Kit
- CO₂ Input Sensor Available (Field Installed)
- Economizer slips in complete for Downflow or Horizontal Duct application
- Field Assembled Hood Ships with Economizer
- Field Installed Power Exhaust Available



[] Designates Metric Conversions

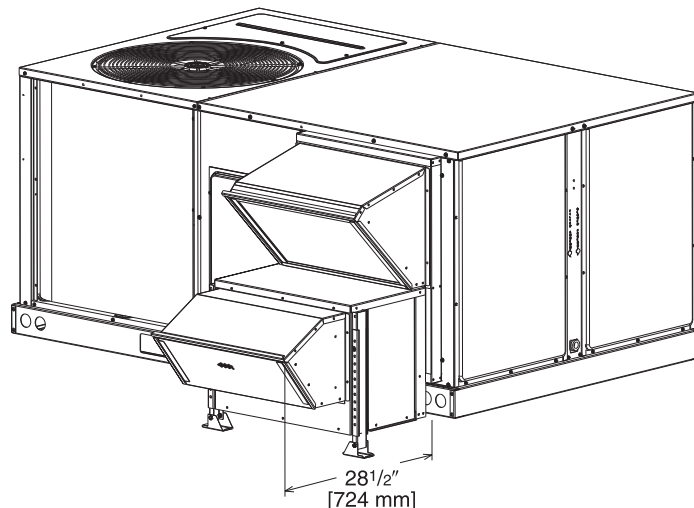
INTEGRAL POWER EXHAUST FOR ECONOMIZER (FIELD INSTALLED ONLY)

AXRX-BGF04C – 3-5 Ton [10.6-17.6 kW] Models
208-230V, 1 PH and 3 PH, 60 Hz

AXRX-BGF04D – 3-5 Ton [10.6-17.6 kW] Models
460V, 3 PH, 60 Hz

AXRX-BGF04Y – 3-5 Ton [10.6-17.6 kW] Models
575V, 3 PH, 60 Hz

- For **Honeywell** Economizer
- Downflow or horizontal applications
- Requires separate 208-230 Volt – 1 PH power supply with disconnect or requires separate 460V – 3 PH power supply with disconnect
- Adjustable switch on economizer, factory preset to energize power exhaust at 95% outside air position
- Polarized plug connects power exhaust relay to economizer



POWER EXHAUST KIT FOR AXRD-01REC(-) ECONOMIZERS

Model No.	No. of Fans	Volts	Phase	Watts (ea.)	High Speed		FLA (ea.)	LRA (ea.)
					CFM ①	RPM		
AXRX-BGF04C	1	208/230	1	1000	2500	1725	4.4	23.7
AXRX-BGF04D	1	460	1	800	2370	1620	1.8	4.1
AXRX-BGF04Y	1	575	1	800	2370	1620	1.5	3.3

AXRX-BGF04C – 3-5 Ton [10.6-17.6 kW] Models

208/230V, 1PH and 3PH, 60 Hz

AXRX-BGF04D – 3-5 Ton [10.6-17.6 kW] Models

460V, 3PH, 60 Hz

AXRX-BGF04Y – 3-5 Ton [10.6-17.6 kW] Models

575V, 3PH, 60 Hz

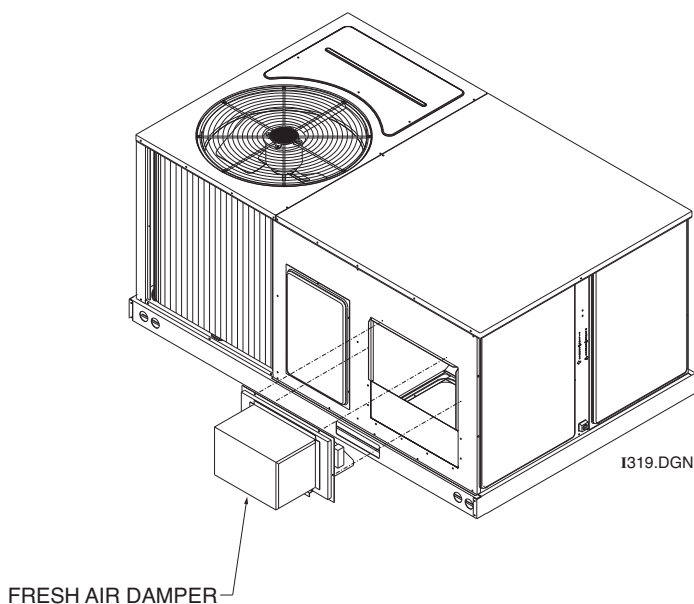
FRESH AIR DAMPER

3-5 Ton [10.6-17.6 kW] Models

AXRF-FBA1 (Manual)

AXRF-FBB1 (Motorized)

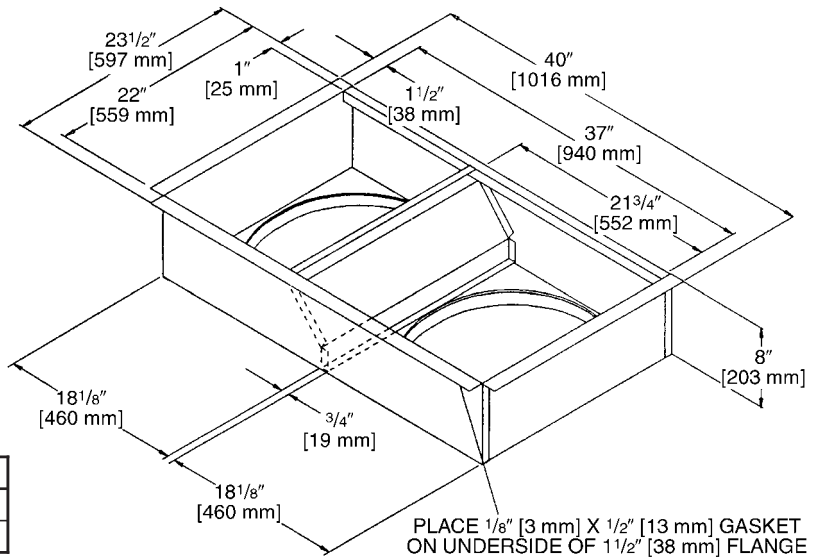
[] Designates Metric Conversions



DUCT ADAPTERS (3 TO 5 TON [10.6 TO 17.6 kW] MODELS)

Rectangular to Round Transitions (Downflow)

Two sizes available (18" [457 mm] and 20" [508 mm] round) fit all units. Drops into and secures to RXKG- Series Roofcurbs. **For use with Concentric Diffusers.**



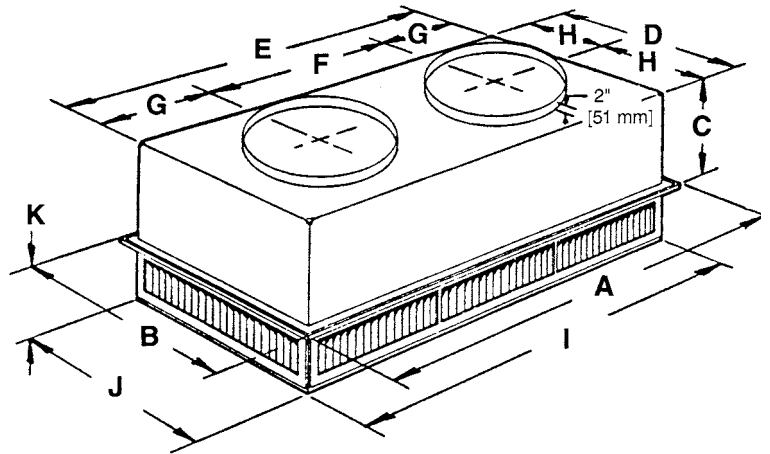
Accessory Model No.	Model Application Tons [kW]	Size in. [mm]
RXMC-CB03	3-5 [10.6-17.6]	18 [457] Round
RXMC-CB04	3-5 [10.6-17.6]	20 [508] Round

[] Designates Metric Conversions

SIDE DISCHARGE CONCENTRIC DIFFUSER

RXRN-FA60 (3 to 5 Ton [10.6 to 17.6 kW] Models)
RXRN-FA65 (3 to 7.5 Ton [10.6 to 26.4 kW] Models)

For Use With Duct Adapter (RXMC)



DIMENSIONAL DATA

Model No.	A	B	C	D	E	F	G	H	I	J	K	Duct Size
RXRN-FA60	47 5/8" [1210 mm]	23 5/8" [600 mm]	11 3/8" [289 mm]	21 1/2" [546 mm]	45 1/2" [1156 mm]	22 1/2" [572 mm]	11 1/2" [292 mm]	10 3/4" [273 mm]	45 1/2" [1156 mm]	21 1/2" [546 mm]	7 1/8" [181 mm]	18RD
RXRN-FA65	47 5/8" [1210 mm]	29 5/8" [752 mm]	14 3/8" [365 mm]	27 1/2" [699 mm]	45 1/2" [1156 mm]	22 1/2" [572 mm]	11 1/2" [292 mm]	13 3/4" [349 mm]	45 1/2" [1156 mm]	27 1/2" [699 mm]	8 1/8" [206 mm]	20RD

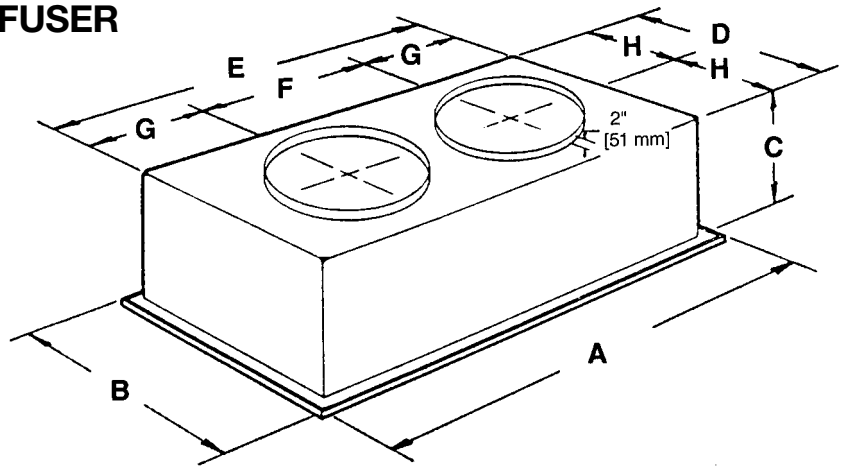
ENGINEERING DATA

Model No.	CFM [L/s]	Static Pressure	Throw Feet	Neck Vel.	Jet Vel.	Noise Level
RXRN-FA60	1000 [472]	.14	10-17	351	351	20
	1200 [566]	.17	11-18	421	421	20
	1400 [661]	.20	12-19	491	491	20
	1600 [755]	.24	12-20	561	561	20
	1800 [850]	.30	13-21	632	632	20
	2000 [944]	.36	14-23	702	702	20
	2200 [1038]	.40	16-25	772	772	20
RXRN-FA65	2600 [1227]	.17	24-29	669	669	20
	2800 [1321]	.20	25-30	720	720	25
	3000 [1416]	.25	27-33	772	772	25
	3200 [1510]	.31	28-35	823	823	25
	3400 [1605]	.37	30-37	874	874	30

FLUSH MOUNT CONCENTRIC DIFFUSER

RXRN-FA70 (3 to 5 Ton [10.6 to 17.6 kW] Models)

For Use With Duct Adapter (RXMC)



DIMENSIONAL DATA

Model No.	A	B	C	D	E	F	G	H	Duct Size
RXRN-FA70	47 ⁵ / ₈ " [1210 mm]	23 ⁵ / ₈ " [600 mm]	13 ¹ / ₂ " [343 mm]	21" [533 mm]	45" [1143 mm]	22 ¹ / ₂ " [572 mm]	11 ¹ / ₄ " [286 mm]	10 ¹ / ₂ " [267 mm]	18RD
RXRN-FA75	47 ⁵ / ₈ " [1210 mm]	29 ⁵ / ₈ " [752 mm]	16 ⁵ / ₈ " [442 mm]	27" [666 mm]	45" [1143 mm]	22 ¹ / ₂ " [572 mm]	11 ¹ / ₄ " [286 mm]	13 ¹ / ₂ " [343 mm]	20RD

ENGINEERING DATA

Model No.	CFM [L/s]	Static Pressure	Throw Feet	Neck Vel.	Jet Vel.	Noise Level
RXRN-FA70	1000 [472]	.14	15-20	391	694	20
	1200 [566]	.17	16-22	469	833	25
	1400 [661]	.20	17-24	547	972	30
	1600 [755]	.24	18-25	625	1111	30
	1800 [850]	.30	20-28	703	1250	35
	2000 [944]	.36	21-29	781	1389	40
	2200 [1038]	.40	22-30	859	1528	40
RXRN-FA75	2600 [1227]	.17	19-24	663	1294	30
	2800 [1321]	.20	20-28	714	1393	35
	3000 [1416]	.25	21-29	765	1492	35
	3200 [1510]	.31	22-29	616	1592	40
	3400 [1605]	.37	22-30	667	1692	40

[] Designates Metric Conversions



Guide Specifications RLPN/RLQN-A036 thru A060

You may copy this document directly into your building specification. This specification is written to comply with the 2004 version of the "master-format" as published by the Construction Specification Institute. www.csinet.org.

ELECTRIC HEAT PACKAGED ROOFTOP

HVAC Guide Specifications

Size Range: 3 to 5 Nominal Tons

Section	Description
---------	-------------

23 06 80	Schedules for Decentralized HVAC Equipment
-----------------	---

23 06 80.13	Decentralized Unitary HVAC Equipment Schedule
--------------------	--

23 06 80.13.A.	Rooftop unit schedule
----------------	-----------------------

1. Schedule is per the project specification requirements.

23 07 16	HVAC Equipment Insulation
-----------------	----------------------------------

23 07 16.13	Decentralized, Rooftop Units:
--------------------	--------------------------------------

1. Interior cabinet surfaces shall be insulated with a minimum 3/4-in. thick, minimum 1-1/2 lb density, flexible fiberglass insula1. Interior cabinet surfaces shall be insulated with a minimum 3/4-in. thick, minimum 1-1/2 lb density, flexible fiberglass insula- tion bonded with a phenolic binder, with aluminum foil facing on the air side.
2. Insulation and adhesive shall meet NFPA 90A requirements for flame spread and smoke generation.

23 09 13	Instrumentation and Control Devices for HVAC
-----------------	---

23 09 13.23	Sensors and Transmitters:
--------------------	----------------------------------

23 09 13.23.A.	Thermostats
----------------	-------------

1. Thermostat must
 - a. have capability to energize 2 different stages of cooling, and 1 stage of heating.
 - b. must include capability for occupancy scheduling.
 - c. energize both "W" and "G" when calling for heat.

23 09 33	Electric and Electronic Control System for HVAC
-----------------	--

23 09 33.13	Decentralized, Rooftop Units:
--------------------	--------------------------------------

23 09 33.13.A.	General:
----------------	----------

1. Shall be complete with self-contained low-voltage control circuit. Transformer size is 40VA.
2. Shall utilize color-coded wiring.
3. Unit shall provide "pigtail" termination points for connection of control wiring.

23 09 33.13.B.	Safeties:
----------------	-----------

1. Compressor over-temperature, over current.
2. Loss of charge switch.
3. High-pressure switch.
4. Automatic reset, motor thermal overload protector.

23 09 93	Sequence of Operations for HVAC Controls
-----------------	---

23 09 93.13	Decentralized, Rooftop Units:
--------------------	--------------------------------------

23 09 93.13	INSERT SEQUENCE OF OPERATION
-------------	------------------------------

23 40 13	Panel Air Filters
-----------------	--------------------------

23 40 13.13	Decentralized, Rooftop Units:
--------------------	--------------------------------------

23 40 13.13.A.	Standard filter section
----------------	-------------------------

1. Shall consist of factory-installed, low velocity, throwaway 1-in. thick fiberglass filters of commercially available sizes.
2. Unit shall use only one filter size. Multiple sizes are not acceptable.
3. Filter face velocity shall not exceed 365 fpm at nominal airflows.
4. Filters shall be accessible through an access panel as described in the unit cabinet section of the specification (23 81 19.13.H).
5. Filter rack will also accept 2-in thick fiberglass filters of commercially available sizes by removal of a tab.

23 81 19	Self-Contained Air Conditioners
-----------------	--

23 81 19.13	Small-Capacity Self-Contained Air Conditioners
--------------------	---

23 81 19.13.A.	General
----------------	---------

1. Outdoor, rooftop mounted, electrically controlled, heating and cooling unit utilizing a hermetic scroll compressor for cooling duty and electric resistance heat for heating duty.
2. Factory assembled, single-piece heating and cooling rooftop unit. Contained within the unit enclosure shall be all factory wiring, piping, controls, and special features required prior to field start-up.
3. Unit shall use environmentally safe, R-410A refrigerant.
4. Unit shall be installed in accordance with the manufacturer's instructions.
5. Unit must be selected and installed in compliance with local, state, and federal codes.



23 81 19.13.B. Quality Assurance

1. Unit meets ASHRAE 90.1-2010 minimum efficiency requirements.
2. Unit shall be rated in accordance with AHRI Standards 210/240.
3. Unit shall be designed to conform to ASHRAE 15-2010.
4. Unit shall be UL-tested and certified in accordance with ANSI Z21.47 Standards and UL-listed and certified under Canadian standards as a total package for safety requirements.
5. Insulation and adhesive shall meet NFPA 90A requirements for flame spread and smoke generation.
6. Unit casing shall be capable of withstanding 500-hour salt spray exposure per ASTM B117 (scribed specimen).
7. Unit casing shall be capable of withstanding Federal Test Method Standard No. 141 (Method 6061) 5000-hour salt spray.
8. Unit shall be designed in accordance with ISO 9001:2008, and shall be manufactured in a facility registered by ISO 9001:2008.
9. Roof curb shall be designed to conform to NRCA Standards.
10. Unit shall be subjected to a completely automated run test on the assembly line. The data for each unit will be stored at the factory, and must be available upon request.
11. Unit shall be designed in accordance with UL Standard 1995, including tested to withstand rain.
12. Unit shall be constructed to prevent intrusion of snow and tested to prevent snow intrusion into the control box up to 40 mph.

23 81 19.13.C. Delivery, Storage, and Handling

1. Unit shall be stored and handled per manufacturer's recommendations.
2. Lifted by crane requires either shipping top panel or spreader bars.
3. Unit shall only be stored or positioned in the upright position.

23 81 19.13.E. Project Conditions

1. As specified in the contract.

23 81 19.13.F. Operating Characteristics

1. Unit shall be capable of starting and running at 115°F (46°C) ambient outdoor temperature, meeting maximum load criteria of AHRI Standard 210/240 at ± 10% voltage.
2. Compressor with standard controls shall be capable of operation down to 40°F (4°C), ambient outdoor temperatures. Accessory low ambient kit is necessary if mechanically cooling at ambient temperatures below 40°F (4°C).
3. Unit shall discharge supply air vertically or horizontally as shown on contract drawings.
4. Unit shall be factory configured for vertical supply & return configurations.
5. Unit shall be field convertible from vertical to horizontal configuration.

23 81 19.13.G. Electrical Requirements

1. Main power supply voltage, phase, and frequency must match those required by the manufacturer.

23 81 19.13.H. Unit Cabinet

1. Unit cabinet shall be constructed of galvanized steel, and shall be bonderized and coated with a baked enamel finish on all externally exposed surfaces.
2. Unit cabinet exterior paint shall be: film thickness, (dry) 0.003 inches minimum, gloss (per ASTM D523, 60°F / 16°C): 60, Hardness: H-2H Pencil hardness.
3. Evaporator fan compartment interior cabinet insulation shall conform to AHRI Standards 210/240 minimum exterior sweat criteria. Interior surfaces shall be insulated with a minimum 3/4-in. thick, 1 lb. density, flexible fiberglass insulation, aluminum foil-face coated on the air side.
4. Base of unit shall have locations for thru-the-base electrical connections (factory installed or field installed), standard.
5. Base Rail
 - a. Unit shall have base rails on all sides.
 - b. Holes shall be provided in the base rails for rigging shackles to facilitate maneuvering and overhead rigging.
 - c. Holes shall be provided in the base rail for moving the rooftop by fork truck.
 - d. Base rail shall be a minimum of 14 gauge thickness.
6. Condensate pan and connections:
 - a. Shall be a condensate drain pan made of a non-corrosive material. Unit must be installed at a slight angle to allow for complete drainage.
 - b. Shall comply with ASHRAE Standard 62.
 - c. Shall use a 3/4" x 14 NPT drain connection through the side of the drain pan. Connection shall be made per manufacturer's recommendations.
7. Electrical Connections
 - a. All unit power wiring shall enter unit cabinet at a single, factory-prepared, knockout location.
 - b. Thru-the-base capability
 - i. Standard unit shall have a thru-the-base electrical location(s) using a raised, embossed portion of the unit basepan.
 - ii. No basepan penetration, other than those authorized by the manufacturer, is permitted.
8. Component access panels (standard)
 - a. Cabinet panels shall be easily removable for servicing.

23 81 19.13.J. Coils

1. Aluminum MicroChannel evaporator and condenser coils on all models.
 - a. Shall have aluminum lanced fins thermally bonded to aluminum multi-port flat tube design (microchannel) tubes. Coils shall be furnace brazed and contain epoxy lined shrink wrap on all aluminum to copper connections.
 - b. Shall be leak tested using helium mass spectrometry. The leak rate shall not exceed 6.5×10^{-5} sccs of 100% helium at 200 psig, and qualified to UL 1995 burst test at 1950 psig.
 - c. Evaporator coil includes internal distributor plate to prevent mal-distribution of two-phase refrigerant.

23 81 19.13.K. Refrigerant Components

1. Refrigerant circuit shall include the following control, safety, and maintenance features:
 - a. Thermal Expansion Valves (TXV).
 - b. Refrigerant filter drier.
 - c. Service gauge connections on suction and liquid lines.
 - d. External pressure gauge ports access shall be located in front exterior of cabinet.
2. Compressors
 - a. Unit shall use one fully hermetic, scroll compressor.
 - b. Compressor motors shall be cooled by refrigerant gas passing through motor windings.
 - c. Compressors shall be internally protected from high discharge temperature conditions.
 - d. Compressors shall be protected from an over-temperature and over-amperage conditions by an internal, motor overload device.
 - e. Compressor shall be factory mounted on rubber grommets.
 - f. Compressor motors shall have internal line break thermal and current overload protection along with high pressure differential protection.
 - g. Crankcase heaters shall not be required for normal operating range.

23 81 19.13.L. Filter Section

1. Filters access is specified in the unit cabinet section of this specification.
2. Shall consist of factory-installed, low velocity, throw-away 1-in. thick fiberglass filters.
3. Filter face velocity shall not exceed 365 fpm at nominal airflows.
4. Filters shall be standard, commercially available sizes.
5. Only one size filter per unit is allowed.
6. Filter rack will also accept 2-in thick fiberglass filters of commercially available sizes by removal of a tab.

23 81 19.13.M. Evaporator Fan and Motor

1. Evaporator fan motor:
 - a. Shall have permanently lubricated bearings.
 - b. Shall have inherent automatic-reset thermal overload protection.
 - c. Shall have a maximum continuous bhp rating for continuous duty operation; no safety factors above that rating shall be required.
2. Belt-driven Evaporator Fan:
 - a. Belt drive shall include an adjustable-pitch motor pulley.
 - b. Shall use sealed, permanently lubricated ball-bearing type.
 - c. Blower fan shall be double-inlet type with forward-curved blades.
 - d. Shall be constructed from steel with a corrosion resistant finish and dynamically balanced.
3. High-Static Belt-driven Evaporator Fan Motor(s) and Drive(s):
 - a. High-static motor(s) and drive(s) shall be factory-installed to provide additional performance range.

23 81 19.13.N. Condenser Fans and Motors

1. Condenser fan motors:
 - a. Shall be a totally enclosed motor.
 - b. Shall use permanently lubricated bearings.
 - c. Shall have inherent thermal overload protection with an automatic reset feature.
 - d. Shall use a shaft-down design. Shaft-up designs including those with "rain-slinger devices" shall not be allowed.
2. Condenser Fans shall:
 - a. Shall be a direct-driven propeller type fan
 - b. Shall have aluminum blades riveted to corrosion-resistant steel spiders and shall be dynamically balanced.

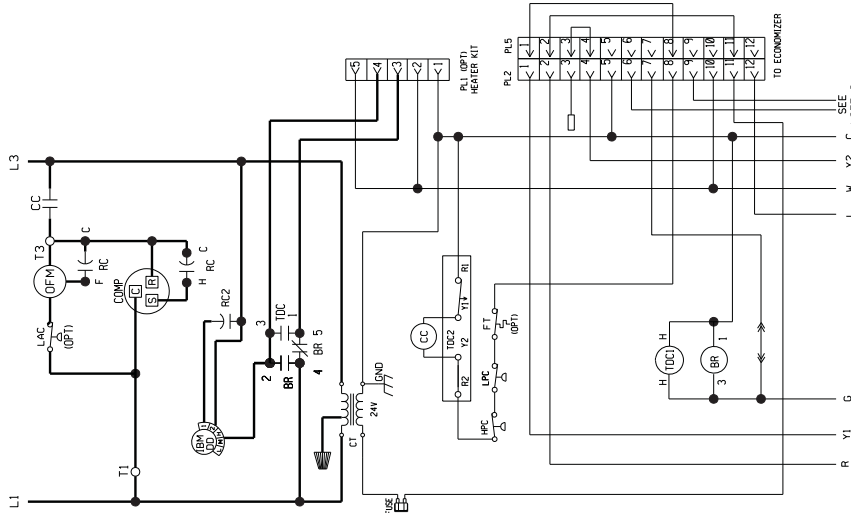
23 81 19.13.O. Special Features

1. Integrated Economizers:
 - a. Integrated, gear-driven parallel modulating blade design type capable of simultaneous economizer and compressor operation.
 - b. Module designed for vertical or horizontal return configurations. Vertical return configuration shall be available as a factory installed option.

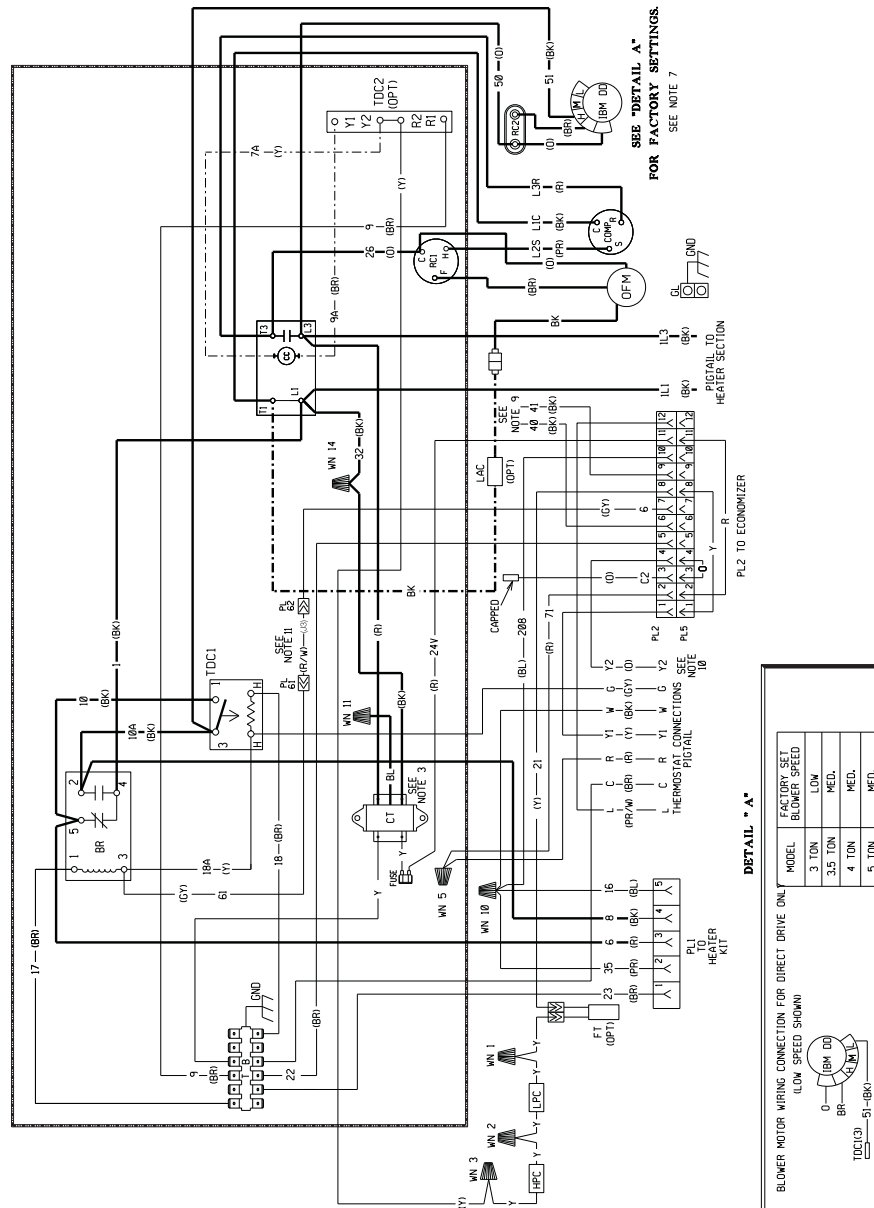
- c. Damper blades shall be galvanized steel with metal gears. Plastic or composite blades on intake or return shall not be acceptable.
 - d. Shall include all hardware and controls to provide free cooling with outdoor air when temperature and/or humidity are below setpoints.
 - e. Shall be equipped with gear driven dampers for both the outdoor ventilation air and the return air for positive air stream control.
 - f. Shall be capable of introducing up to 100% outdoor air.
 - g. Shall be equipped with a barometric relief damper capable of relieving up to 100% return air. The barometric relief damper shall include seals, hardware and hoods to relieve building pressure. Damper shall gravity close upon unit shut down.
 - h. Shall be designed to close damper(s) during loss-of-power situations with spring return built into motor.
 - i. An outdoor single-enthalpy sensor shall be provided as standard. Outdoor air enthalpy set point shall be adjustable and shall range from the enthalpy equivalent of 59.2°F @ 50% rh to 74.8°F @ 50% rh. Additional sensor options shall be available as accessories.
 - j. The economizer controller shall also provide control of an accessory power exhaust unit function. Factory set at 50%, with a range of 0% to 100%.
 - k. The economizer shall maintain minimum airflow into the building during occupied period and provide design ventilation rate for full occupancy.
 - l. Economizer controller shall accept a 2-10Vdc CO₂ sensor input over a CO₂ range of 0-2000 ppm for IAQ/DCV control. In this mode, dampers shall modulate the outdoor-air damper to provide ventilation based on the sensor input.
 - m. Actuator shall be direct coupled to economizer gear. No linkage arms or control rods shall be acceptable.
 - n. Economizer controller shall provide indications when in free cooling mode, in the DCV mode, or the exhaust fan contact is closed.
 - o. Equipped with 3rd party certified low leakage dampers with maximum damper leakage rate to be equal to or less than 4.0 cfm/sq. ft. at 1.0 in. w.g., meeting or exceeding ASHRAE 90.1 requirements.
 - p. Economizer controller on electromechanical units shall be Honeywell W7220 that provides:
 - i. 2-line LCD interface screen for setup, configuration and troubleshooting
 - ii. Onboard fault detection and diagnostics
 - iii. Sensor failure loss of communication identification
 - iv. Automatic sensor detection
 - v. Utilize digital sensors: Dry bulb and Enthalpy
 - vi. Adjustable Compressor lockout setpoint shall open at 35°F and close at 50°F.
2. Two-Position Damper
- a. Damper shall be a Two-Position Damper. Damper travel shall be from the full closed position to the field adjustable %-open setpoint.
 - b. Damper shall include adjustable damper travel from 25% to 100% (full open).
 - c. Damper shall include single or dual blade, gear driven damper and actuator motor.
 - d. Actuator shall be direct coupled to economizer gear. No linkage arms or control rods shall be acceptable.
 - e. Damper will admit up to 100% outdoor air for applicable rooftop units.
 - f. Damper shall close upon indoor (evaporator) fan shutoff and/or loss of power.
 - g. The damper actuator shall plug into the rooftop unit's wiring harness plug. No hard wiring shall be required.
 - h. Outside air hood shall include aluminum water entrainment filter.
3. Manual damper
- a. Manual damper package shall consist of damper, air inlet screen, and rain hood which can be preset to admit up to 50% outdoor air for year round ventilation.
4. Head Pressure Control Package
- a. Controller shall control coil head pressure by condenser-fan cycling.
5. Condenser Coil Hail Guard Assembly
- a. Shall protect against damage from hail.
 - b. Shall be louvered design.
6. Thru-the-Base Connectors:
- a. Kits shall provide connectors to permit electrical connections to be brought to the unit through the unit basepan.
7. Propeller Power Exhaust:
- a. Power exhaust shall be used in conjunction with an integrated economizer.
 - b. Independent modules for vertical or horizontal return configurations shall be available.
 - c. Horizontal power exhaust shall be mounted in return ductwork.
 - d. Power exhaust shall be controlled by economizer controller operation. Exhaust fans shall be energized when dampers open past the 0-100% adjustable setpoint on the economizer control.

8. Roof Curbs (Vertical):
 - a. Full perimeter roof curb with exhaust capability providing separate airstreams for energy recovery from the exhaust air without supply air contamination.
 - b. Formed galvanized steel with wood nailer strip and shall be capable of supporting entire unit weight.
 - c. Permits installation and securing of ductwork to curb prior to mounting unit on the curb.
9. Outdoor Air Enthalpy Sensor:
 - a. The outdoor air enthalpy sensor shall be used to provide single enthalpy control. When used in conjunction with a return air enthalpy sensor, the unit will provide differential enthalpy control. The sensor allows the unit to determine if outside air is suitable for free cooling.
10. Return Air Enthalpy Sensor:
 - a. The return air enthalpy sensor shall be used in conjunction with an outdoor air enthalpy sensor to provide differential enthalpy control.
11. Indoor Air Quality (CO₂) Sensor:
 - a. Shall be able to provide demand ventilation indoor air quality (IAQ) control.
 - b. The IAQ sensor shall be available in wall mount with LED display. The set point shall have adjustment capability.
 - c. The sensor shall provide a 2-10Vdc output for a CO₂ input range of 0-2000 ppm.
12. Smoke detectors:
 - a. Shall be a Four-Wire Controller and Detector.
 - b. Shall be environmental compensated with differential sensing for reliable, stable, and drift-free sensitivity.
 - c. Shall use magnet-activated test/reset sensor switches.
 - d. Shall have a recessed momentary switch for testing and resetting the detector.
 - e. Controller shall include:
 - i. One set of normally open alarm initiation contacts for connection to an initiating device circuit on a fire alarm control panel
 - ii. Two Form-C auxiliary alarm relays for interface with rooftop unit or other equipment.
 - iii. One Form-C supervision (trouble) relay to control the operation of the Trouble LED on a remote test/reset station.
 - iv. Capable of direct connection to two individual detector modules.
 - v. Can be wired to up to 14 other duct smoke detectors for multiple fan shutdown applications.
13. Non-Powered convenience outlet.
 - a. Outlet shall be powered from a separate 115-120v power source.
 - b. A transformer shall not be included.
 - c. Outlet shall be field-installed and internally mounted with easily accessible 115-v female receptacle.
 - d. Outlet shall include 15 amp GFI receptacle.
 - e. Outlet shall be accessible from outside the unit.
14. Electric Heat:
 - a. Heating Section
 - i. Heater element open coil resistance wire, nickel-chrome alloy, strung through ceramic insulators mounted on metal frame. Coil ends are staked and welded to terminal screw slots.
 - ii. Heater assemblies are provided with integral fusing for protection of internal heater circuits not exceeding 48 amps each. Auto reset thermo limit controls, magnetic heater contactors (24 v coil) and terminal block all mounted in electric heater control box (minimum 18 ga galvanized steel) attached to end of heater assembly.

WIRING SCHEMATIC



WIRING DIAGRAM



WIRE COLOR CODE

- BK.....BLACK
- G.....GREEN
- PR.....PURPLE
- BR.....BROWN
- GY.....GRAY
- R.....RED
- BL.....BLUE
- O.....ORANGE
- W.....WHITE
- Y.....YELLOW

COMPONENT CODES

- LAC BLOWER RELAY
- LPC LOW AMBIENT COOLING CONTROL
- OFM COMPRESSOR CONTACTOR
- PL CONTROL TRANSFORMER
- RC OUTDOOR FAN MOTOR
- FT FREEZE STAT
- GL GROUND LUG
- GND GROUND
- HPC HIGH PRESSURE CONTROL
- IMBDD INDOOR BLOWER MOTOR BELT DRIVE
- IMBDD INDOOR BLOWER MOTOR DIRECT DRIVE
- WIN WIRE NUT

NOTES

1. CONNECTORS SUITABLE FOR USE WITH COPPER CONDUCTORS ONLY.
2. COMPRESSOR MOTOR THERMALLY PROTECTED, ALL 3 PHASE MODELS ARE PROTECTED UNDER PRIMARY SINGLE PHASE CONDITIONS.
3. CONTROL TRANSFORMER PRIMARY LEADS: RED-COM, BLUE-208V, BLACK-240V. INTERCHANGE BLACK & BLUE LEADS FOR 208 VOLT OPERATION.
4. CONTACTOR FACTORY WIRED, CONNECT FIELD WIRE TO FACTORY SUPPLIED HEATER KIT, CLASS 2 WITH A CLASS 2 TRANSFORMER, 24V, 50/60 HZ SUPPLY LEAD.
5. CONNECT FIELD WIRING IN GROUNDED PAIN TIGHT CONDUIT TO 60 HZ FUSED DISCONNECT.
6. MOTOR FACTORY WIRED FOR CORRECT SPEED.
7. SEE SECTION 10.0 FOR FUSE BOX FOR FUSE SIZING AND REPLACEMENT WIRE.
8. WIRE FROM PL2 (6 & 9) TO THE MIXED AIR SENSOR ON THE OPTIONAL ECONOMIZER.
9. WIRE FROM PL2 (6 & 9) TO THE MIXED AIR SENSOR ON THE OPTIONAL ECONOMIZER.
10. Y2 IS USED ONLY FOR THE OPTIONAL ECONOMIZER.
11. REMOVE JUMPER FOR FIELD INSTALLED OCCUPANCY RELAY.

WIRING INFORMATION

- LINE VOLTAGE
- FACTORY STANDARD
- FACTORY OPTION
- FIELD INSTALLED
- LOW VOLTAGE
- FACTORY STANDARD
- FIELD INSTALLED
- REPLACEMENT WIRE
- MUST BE THE SAME SIZE AND TYPE
- CABINET MUST BE PERMANENTLY GROUNDED AND CONFORM TO I.E.C., N.E.C., C.E.C., NATIONAL WIRING REGULATIONS, AND LOCAL CODES AS APPLICABLE.

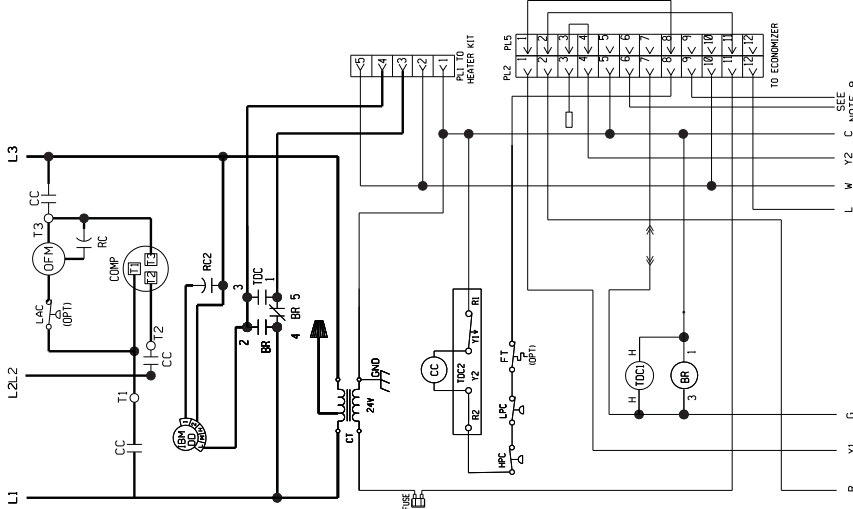
ELECTRICAL WIRING DIAGRAM

208 / 230, 1 PHASE
DIRECT DRIVE
PACKAGE AIR CONDITIONER

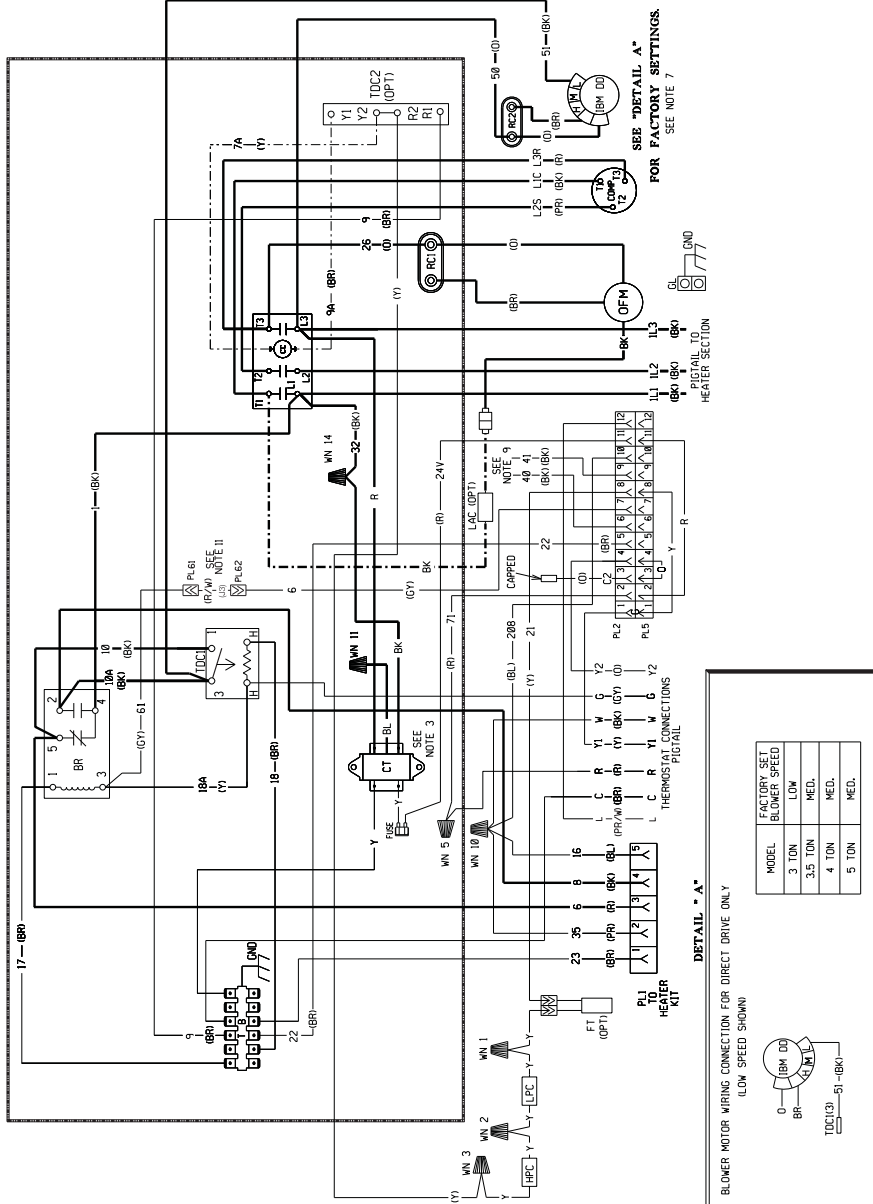
APPROVED:

CHECKED: _____
 MOBBLED MGR DATE: 2-11-13
 BY: _____
 PART NO.: 90-23597-29
 ORIGINAL RELEASE NO. R-1058S005
 REV: 03

WIRING SCHEMATIC



WIRING DIAGRAM



DETAIL * A*

BLOWER MOTOR WIRING CONNECTION FOR DIRECT DRIVE ONLY (LOW SPEED SHOWN)

MODEL	FACTORY SET BLOWER SPEED
3 TON	LOW
3.5 TON	MED.
4 TON	MED.
5 TON	MED.

WIRE COLOR CODE

BK.....BLACK G.....GREEN PR.....PURPLE
 BR.....BROWN GY.....GRAY R.....RED
 BL.....BLUE O.....ORANGE W.....WHITE
 Y.....YELLOW

ELECTRICAL WIRING DIAGRAM

208 / 230, 3 PHASE
 DIRECT DRIVE
 PACKAGE AIR CONDITIONER

APPROVED: _____ CHECKED: _____ ORIGINAL RELEASE NO.: _____
 MODELED MGR DATE: 2-11-13 R-1058S005
 BY: _____
 PART NO.: 90-23597-26 REV: 03

COMPONENT CODES

LAC LOW AMBIENT COOLING CONTROL
 LPC LOW PRESSURE CONTROL
 OFM OUTDOOR FAN MOTOR
 PL PLUG
 RC RUN CAPACITOR
 TB TERMINAL BLOCK (LOW VOLTAGE)
 TDC TIME DELAY CONTROL
 WN WIRE NUT

NOTES

- CONNECTORS SUITABLE FOR USE WITH CONDUCTORS ONLY.
- COMPRESSOR MOTOR THERMALLY PROTECTED ALL 3 PHASE MODELS ARE PROTECTED UNDER PRIMARY SINGLE PHASE CONDITIONS.
- CONTROL TRANSFORMER PRIMARY LEADS: RED-COM, BLUE-208V, BLACK-230V TRANSFORMER FACTORY WIRED FOR 230 VOLTS ON 208V. TO CHANGE BLACK & BLUE LEADS FOR 208 VOLT OPERATION.
- FACTORY SUPPLIED PIGTAIL.
- LOW VOLTAGE CIRCUITS N.E.C. CLASS 2 WITH A CLASS 2 TO 60 HZ FUSED DISCONNECT.
- CONNECT FIELD WIRING IN GROUNDED PAIN TIGHT CONDUIT.
- MOTOR FACTORY WIRED FOR CORRECT SPEED.
- SEE FUSE LABEL ON UNIT FUSE BOX FOR FUSE SIZING AND REPLACEMENT.
- WIRE FROM P2 (6 & 9) GO TO THE WRED 4R SENSOR ON THE OPTIONAL ECONOMIZER.
- Y2 IS USED ONLY FOR THE OPTIONAL ECONOMIZER.
- REMOVE JUMPER FOR FIELD INSTALLED OCCUPANCY RELAY.

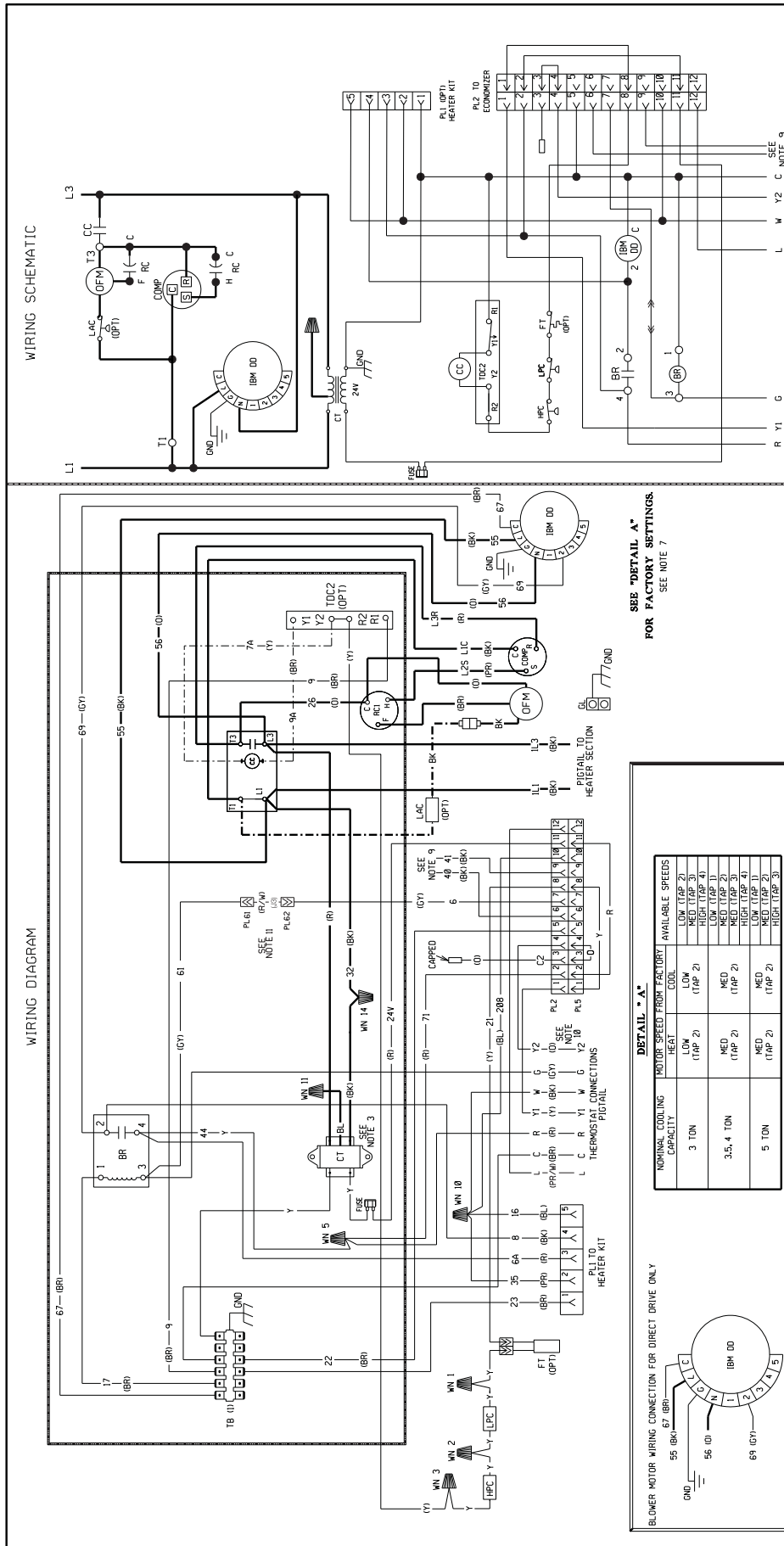
WIRING INFORMATION

LINE VOLTAGE
 -FACTORY STANDARD
 -FACTORY OPTION
 -FIELD INSTALLED

LOW VOLTAGE
 -FACTORY STANDARD
 -FIELD INSTALLED

REPLACEMENT WIRE
 -MUST BE THE SAME SIZE AND TYPE OF INSULATION AS ORIGINAL (105C, M/N)

WARNING
 -CABINET MUST BE PERMANENTLY GROUNDED AND CONFORM TO I.E.C., N.E.C., C.E.C., NATIONAL WIRING REGULATIONS, AND LOCAL CODES AS APPLICABLE.



WIRING INFORMATION

- LINE VOLTAGE
- FACTORY STANDARD
- FACTORY OPTION
- FIELD INSTALLED
- LOW VOLTAGE
- FACTORY STANDARD
- FIELD INSTALLED
- REPLACEMENT WIRE
- MUST BE THE SAME SIZE AND TYPE
- MUST BE THE SAME SIZE AND TYPE
- MUST BE THE SAME SIZE AND TYPE
- OF INSULATION AS ORIGINAL (105C, MIN.)
- WARNING: MUST BE PERMANENTLY GROUNDED AND CONFORM TO I.E.C., N.E.C., C.E.C., NATIONAL WIRING REGULATIONS, AND LOCAL CODES AS APPLICABLE.

NOTES

- CONNECTORS SUITABLE FOR USE WITH COPPER CONDUCTORS ONLY.
- COMPRESSOR MOTOR THERMALLY PROTECTED, ALL 3 PHASE MODELS ARE PROTECTED UNDER PRIMARY SINGLE PHASE CONDITIONS.
- BLACK-230V TRANSFORMER FACTORY WIRED FOR 230 VOLTS ON "J" & "C" MODELS, INTERCHANGE BLACK & BLUE LEADS FOR 208 VOLT OPERATION.
- CONTACTOR FACTORY WIRED, CONNECT FIELD WIRE TO TRANSFORMER 24V, 50/60 HZ SUPPLIED.
- LOW VOLTAGE CIRCUIT IS N.E.C. CLASS 2 WITH A CLASS 2 TRANSFORMER.
- CONNECT FIELD WIRING IN GROUNDED RAIN TIGHT CONDUIT TO 80 IZ FUSED DISCONNECT.
- FIELD WIRING MUST BE CORRECT SPEED.
- SEE FUSE LABEL ON UNIT FUSE BOX FOR FUSE SIZING AND CLASSIFICATION.
- WIRED FROM PL2 (6 & 9) GO TO THE MIXED AIR SENSOR ON THE OPTIONAL ECONOMIZER.
- IS USED ONLY FOR THE OPTIONAL ECONOMIZER.
- REMOVE JUNCTION FOR FIELD INSTALLED OCCUPANCY RELAY.

COMPONENT CODES

- BR BLOWER RELAY
- CC COMPRESSOR CONTACTOR
- COMP COMPRESSOR
- CT CONTROL TRANSFORMER
- GL FREEZE STAT
- GND GROUND LUG
- GV GAS VALVE
- HPC HIGH PRESSURE CONTROL
- IBM INDOOR BLOWER MOTOR DIRECT DRIVE
- LAC LOW AMBIENT COOLING CONTROL
- LPC LOW PRESSURE CONTROL
- OFM OUTDOOR FAN MOTOR
- PL PLUG
- RC RUN CAPACITOR
- TB TERMINAL BLOCK (LOW VOLTAGE)
- TDC TIME DELAY CONTROL
- WN WIRE NUT

WIRE COLOR CODE

- BK.....BLACK
- BR.....BROWN
- BL.....BLUE
- G.....GREEN
- GY.....GRAY
- O.....ORANGE
- P.....PURPLE
- R.....RED
- W.....WHITE
- Y.....YELLOW

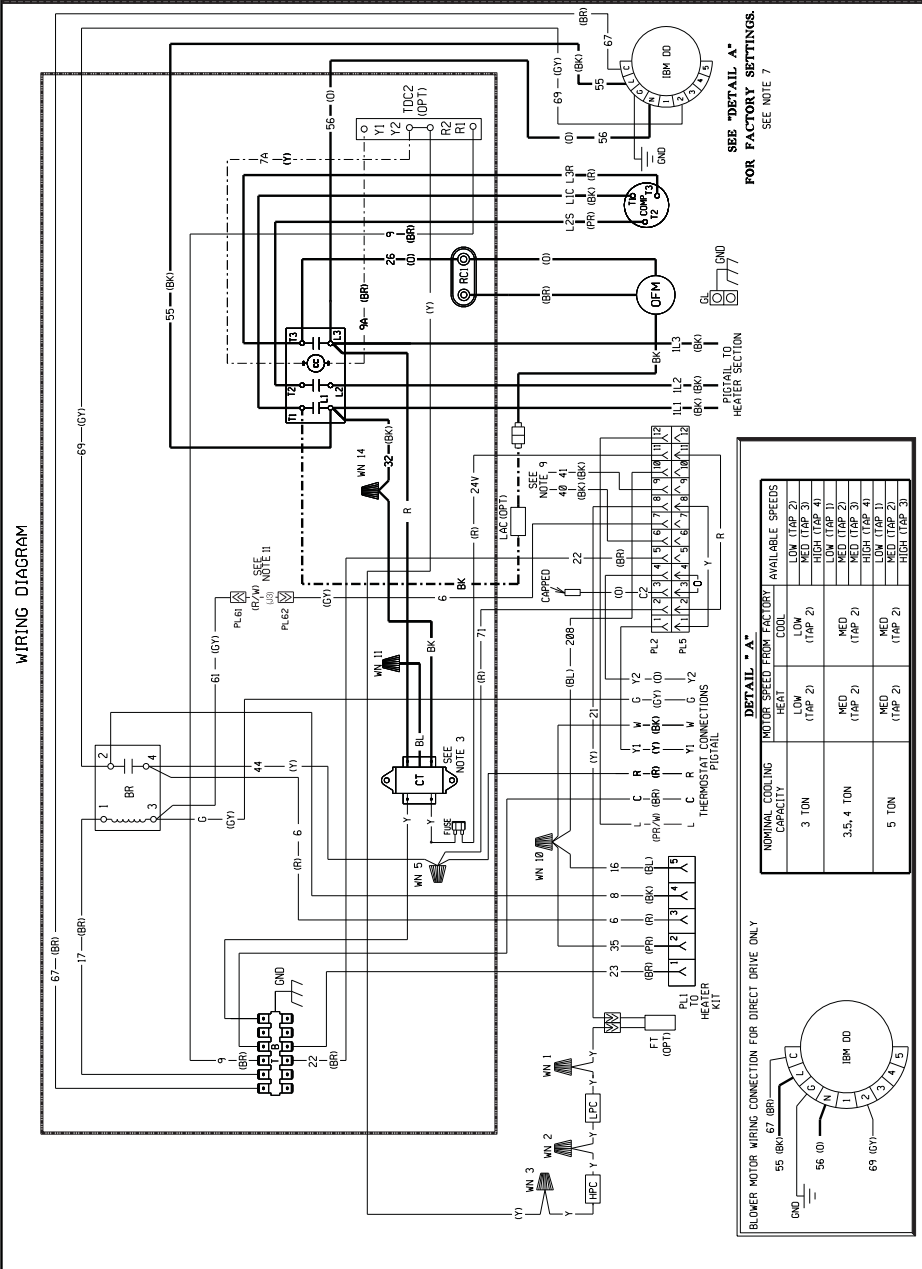
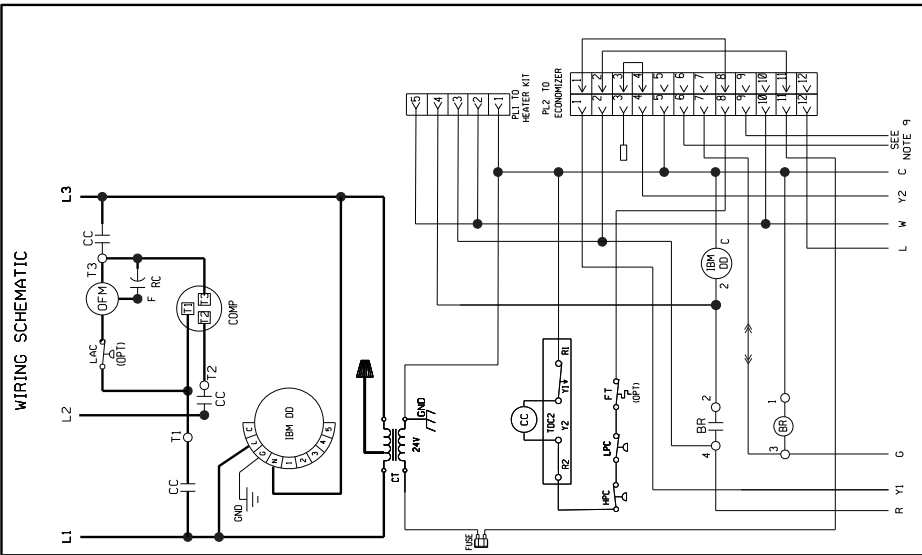
ELECTRICAL WIRING DIAGRAM

208 / 230, 1 PHASE
DIRECT DRIVE / X-MOTOR
PACKAGE AIR CONDITIONER

APPROVED: _____
MODELED MGR _____
BY: _____
DATE: 2-11-13
PART NO.: 90-23597-24

CHECKED: _____
NO.: _____
ORIGINAL RELEASE

R-1058S007
REV: 03



WIRE COLOR CODE

BK.....BLACK G.....GREEN PR.....PURPLE
 BR.....BROWN GY.....GRAY R.....RED
 BL.....BLUE O.....ORANGE W.....WHITE
 Y.....YELLOW

ELECTRICAL WIRING DIAGRAM

208 / 230 / 460V, 3 PHASE
 DIRECT DRIVE / X-MOTOR
 PACKAGE AIR CONDITIONER

APPROVED: _____ CHECKED: _____ ORIGINAL RELEASE NO. _____
 MOBELED MGR DATE: 2-11-13 R-1058S007
 BY: _____
 PART NO.: 90-23597-25 REV: 03

COMPONENT CODES

LAC LOW AMBIENT COOLING CONTROL
 LPC LOW PRESSURE CONTROL
 OFM OUTDOOR FAN MOTOR
 PL PLUG
 RC RUN CAPACITOR
 TB TERMINAL BLOCK (LOW VOLTAGE)
 TDC TIME DELAY CONTROL
 WIN WIRE NUT

COMPONENT CODES

BR BLOWER RELAY
 CC COMPRESSOR CONTACTOR
 COMP COMPRESSOR
 CT CONTROL TRANSFORMER
 FT FREEZE STAT
 GL GROUND LUG
 GND GROUND
 HPC HIGH PRESSURE CONTROL
 IBMDD INDOOR BLOWER MOTOR DIRECT DRIVE

NOTES

- CONNECTORS SUITABLE FOR USE WITH COPPER CONDUCTORS ONLY.
- COMPRESSOR MOTOR THERMALLY PROTECTED, ALL 3 PHASE MODELS ARE PROTECTED UNDER PRIMARY SINGLE PHASE CONDITIONS.
- 30 LBS. VOLT. TRANSFORMER PRIMARY LEADS.
- RED-COM. BLUE-208V, BLACK-230V, BLACK/RED-460V, BLACK/BLUE-575V. TRANSFORMER FACTORY WIRING FOR 230 VOLT ONLY OPERATION. TRANSFORMER FACTORY WIRING FOR 460 & 575 VOLTS MODELS FACTORY WIRING FOR CORRECT VOLTAGE.
- 50 LBS. BLUE-COMMON, BLUE-208V, BLACK-415V.
- FACTORY SUPPLIED WIRE TO CONNECT FACTORY WIRE TO FACTORY SUPPLIED RIGTAL.
- LOW VOLTAGE CIRCUIT IS N.E.C. CLASS 2 WITH A CLASS 2 TO 60-HZ FUSED DISCONNECT.
- CONNECT FIELD WIRING IN GROUNDING RAIN-TIGHT CONDUIT TO 60-HZ FUSED DISCONNECT.
- SEE FIELD WIRING IN GROUNDING RAIN-TIGHT CONDUIT TO 60-HZ FUSED DISCONNECT.
- SEE FUSE LABEL ON UNIT FUSE BOX FOR FUSE SIZING AND CLASSIFICATION. THE OPTIONAL ECONOMIZER, N.E.C. CLASS 2 WITH A CLASS 2 TO 60-HZ FUSED DISCONNECT.
- REMOVE NUMBER FOR FIELD INSTALLED OCCUPANCY RELAY.

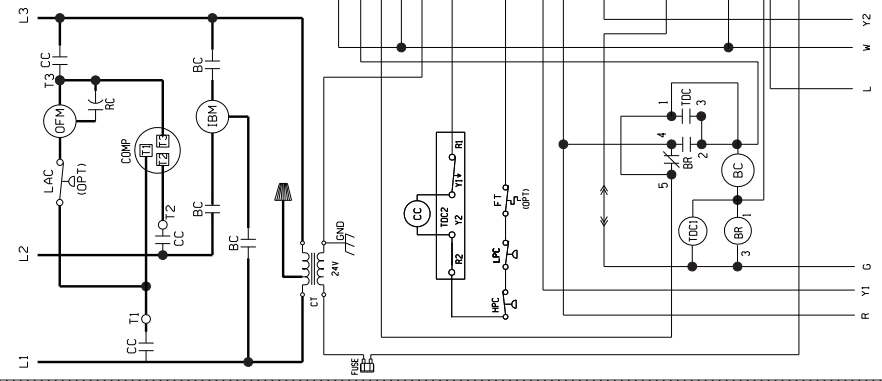
WIRING INFORMATION

LINE VOLTAGE
 -FACTORY STANDARD
 -FACTORY OPTION
 -FIELD INSTALLED

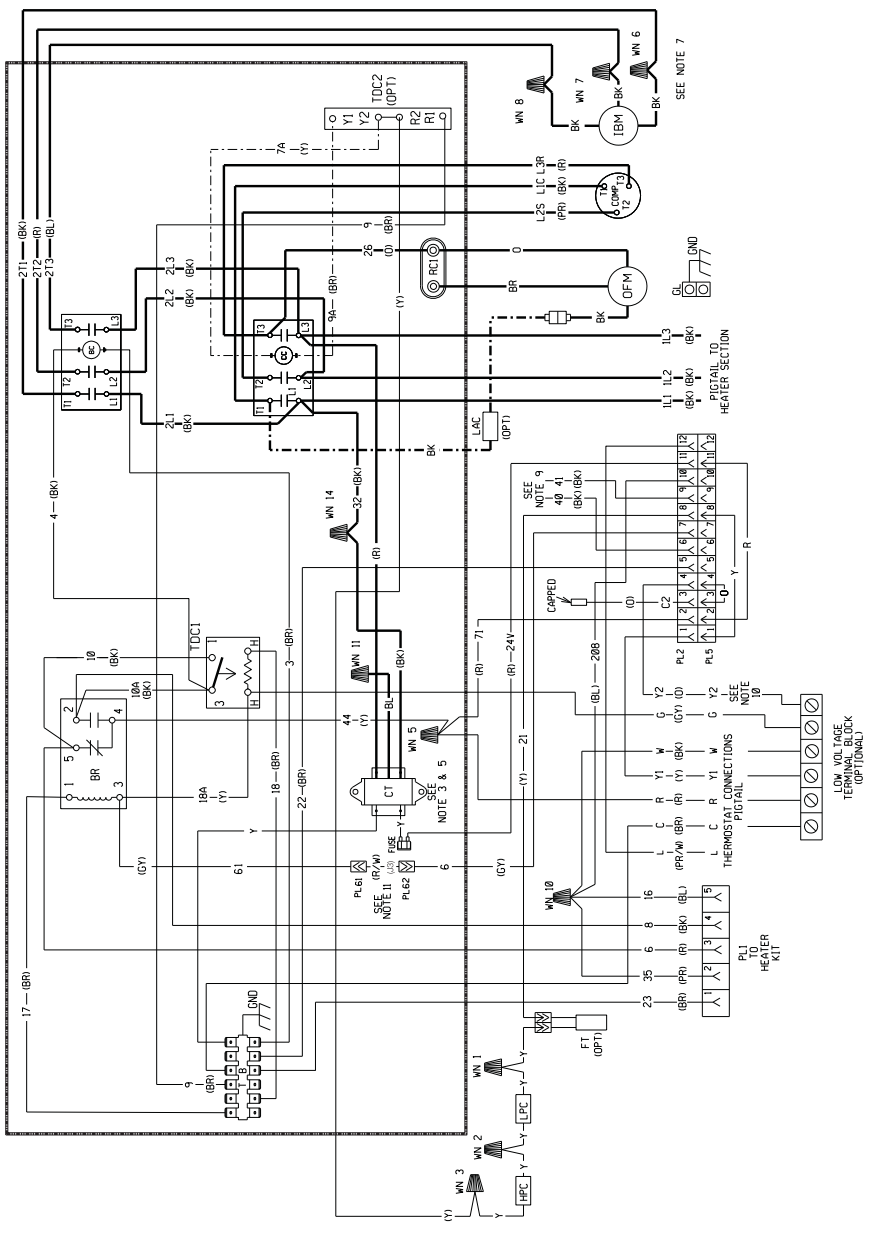
LOW VOLTAGE
 -FACTORY STANDARD
 -FIELD INSTALLED

REPLACEMENT WIRE
 -MUST BE THE SAME SIZE AND TYPE
 -MUST BE PERMANENTLY GROUNDED
 -CABINET MUST BE PERMANENTLY GROUNDED
 -AND CONFORM TO I.E.C.C., N.E.C., C.E.C.C.,
 NATIONAL WIRING REGULATIONS, AND LOCAL
 CODES AS APPLICABLE.

WIRING SCHEMATIC



WIRING DIAGRAM



WIRE COLOR CODE

BK.....BLACK	G.....GREEN	PR.....PURPLE
BR.....BROWN	GY.....GRAY	R.....RED
BL.....BLUE	O.....ORANGE	W.....WHITE
	Y.....YELLOW	

ELECTRICAL WIRING DIAGRAM

208 / 230 / 460 / 575V, 3 PHASE 60 HZ
BELT DRIVE
PACKAGE AIR CONDITIONER

APPROVED:	CHECKED:	ORIGINAL RELEASE
MODELED BY:	MGR	DATE: 2-11-13
PART NO.:	90-23597-27	NO.:
		R-1058S007
		REV: 03

COMPONENT CODES

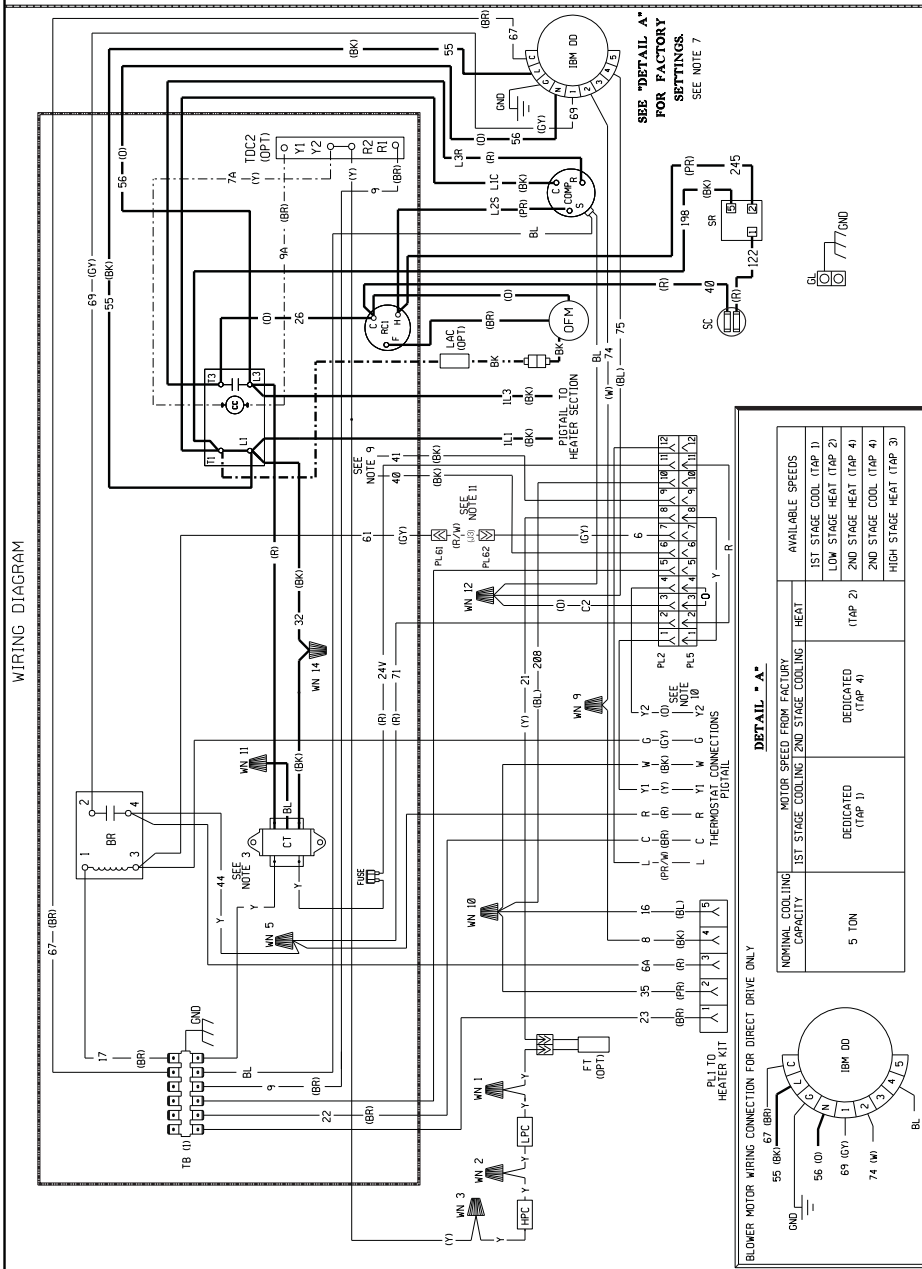
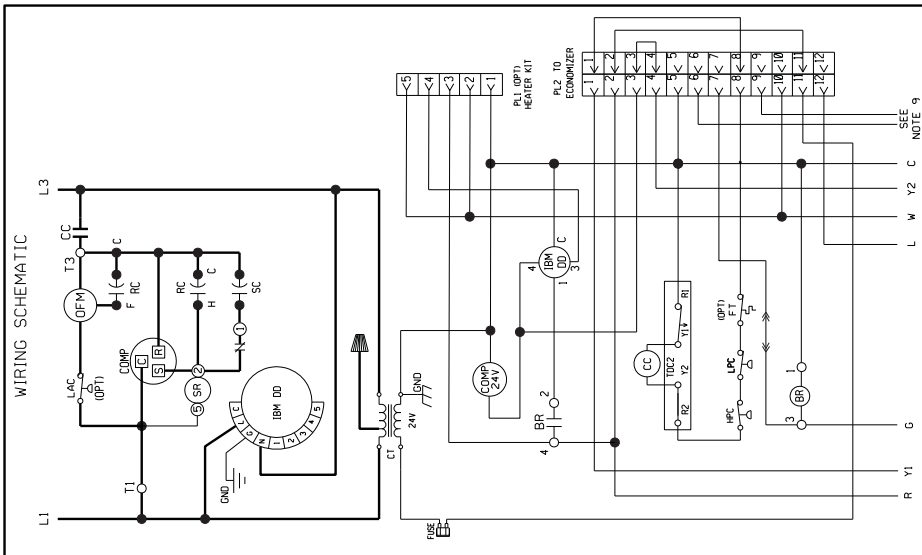
LAC	LOW AMBIENT COOLING CONTROL
LPC	LOW PRESSURE CONTROL
OFM	OUTDOOR FAN MOTOR
PL	PLUG
FC	RUN CAPACITOR
TB	TERMINAL BLOCK (LOW VOLTAGE)
TDC	TIME DELAY CONTROL
WN	WIRE NUT

COMPONENT CODES

BC	BLOWER MOTOR
BR	BLOWER RELAY
CC	COMPRESSOR CONTACTOR
COMP	COMPRESSOR
CT	CONTROL TRANSFORMER
FT	FREEZE STAT
GL	GROUND LUG
GND	GROUND
HPC	HIGH PRESSURE CONTROL
IBMBD	INDOOR BLOWER MOTOR BELT DRIVE

- NOTES**
- CONNECTORS SUITABLE FOR USE WITH COPPER CONDUCTORS ONLY.
 - MODELS ARE PROTECTED UNDER PRIMARY SINGLE PHASE CONDITIONS.
 - CONTROL TRANSFORMER PRIMARY LEADS:
 - REF-COM: BLUE-208V, BLACK-230V, BLACK/RED-460V, BLACK/BLUE-575V.
 - TRANSFORMER FACTORY WIRE FOR 230 VOLT ON "4" & "C" MODELS.
 - INTERCHANGE BLACK & BLUE LEADS FOR 208 VOLT OPERATION.
 - TO 60 HZ FLUO-INSULATED WIRING FOR CORRECT VOLTAGE.
 - SOLE
 - ORANGE-COMMON, BLUE-380V, BLACK-415V.
 - CONTACTOR FACTORY WIRE, CONNECT FIELD WIRE TO TRANSFORMER, 24V, 50/60 HZ SUPPLIED.
 - LOW VOLTAGE CIRCUIT IS N.E.C. CLASS 2 WITH A CLASS 2 TRANSFORMER, 24V, 50/60 HZ SUPPLIED.
 - GROUNDING: ALL WIRING TO BE GROUND RAN TIGHT CONDUIT TO 60 HZ FLUO-INSULATED WIRING FOR CORRECT SPEED.
 - MOTOR FACTORY WIRE FOR CORRECT SPEED.
 - SEE FUSE LABEL ON UNIT FUSE BOX FOR FUSE SIZING AND WIRING INSTRUCTIONS.
 - WIRE FROM PL2 & 9) GO TO THE MIBD AIR SENSOR ON THE OPTIONAL ECONOMIZER.
 - Y2 IS USED ONLY FOR THE OPTIONAL ECONOMIZER.
 - REMOVE UNIT FROM FIELD INSTALLED OCCUPANT RELEASE.

- WIRING INFORMATION**
- LINE VOLTAGE
 - FACTORY STANDARD
 - FACTORY OPTION
 - FIELD INSTALLED
 - LOW VOLTAGE
 - FACTORY STANDARD
 - FIELD INSTALLED
- REPLACEMENT WIRE**
- MUST BE THE SAME SIZE AND TYPE
 - OF INSULATION AS ORIGINAL (105C, MIN)
- WARNING**
- CABINET MUST BE PERMANENTLY GROUNDED
 - AND CONFORM TO I.E.C., N.E.C., C.E.C., NATIONAL WIRING REGULATIONS, AND LOCAL CODES AS APPLICABLE.



WIRE COLOR CODE

BK.....BLACK G.....GREEN PR.....PURPLE
BR.....BROWN GY.....GRAY R.....RED
BL.....BLUE O.....ORANGE W.....WHITE
Y.....YELLOW

ELECTRICAL WIRING DIAGRAM

208 / 230, 1 PHASE
DIRECT DRIVE / X-MOTOR
PACKAGE AIR CONDITIONER
2-STAGE

NOTES

- CONNECTORS SUITABLE FOR USE WITH COPPER CONDUCTORS ONLY.
- COMPRESSOR MOTOR THERMALLY PROTECTED. ALL 3 PHASE MODELS ARE PROTECTED UNDER PRIMARY SINGLE PHASE CONDITIONS.
- CONTROL TRANSFORMER PRIMARY LEADS: RED-COM., BLUE-208V., BLACK-230V., TRANSFORMER FACTORY WIRED FOR 230 VOLTS ON "J" & "C" MODELS. INTERCHANGE BLACK & BLUE LEADS FOR 208 VOLT OPERATION.
- SUPPLIED DIGITAL FACTORY WIRED. CONNECT FIELD WIRE TO FACTORY WIRING.
- LOW VOLTAGE CIRCUIT IS N.E.C. CLASS 2 WITH A CLASS 2 TRANSFORMER, 24V, 50/60 HZ SUPPLIED.
- CONNECT FIELD WIRING IN GROUNDED RAIN TIGHT CONDUIT TO 60 HZ FUSED DISCONNECT.
- MOTOR FACTORY WIRED FOR CORRECT SPEED.
- WIRE FROM PL2 (6 & 9) GO TO THE MIXED AIR SENSOR ON THE OPTIONAL ECONOMIZER.
- CLASSIFICATION.
- Y2 IS USED ONLY FOR THE OPTIONAL ECONOMIZER.
- REMOVE JUMPER FOR FIELD INSTALLED OCCUPANCY RELAY.

WIRING INFORMATION

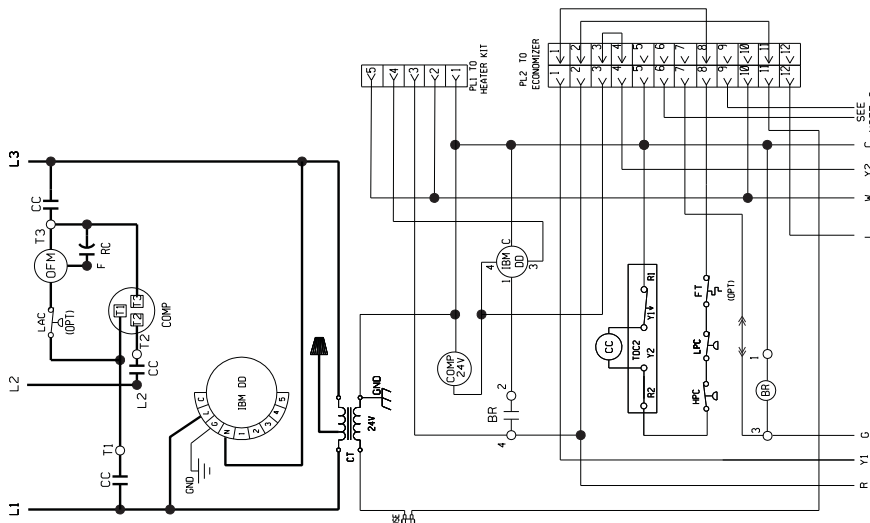
LINE VOLTAGE
-FACTORY STANDARD
-FACTORY OPTION
-FIELD INSTALLED
-FIELD INSTALLED
-FACTORY STANDARD
-FIELD INSTALLED

REPLACEMENT WIRE
-MUST BE THE SAME SIZE AND TYPE
-MUST BE INSULATED AS ORIGINAL (105C, MIN.)

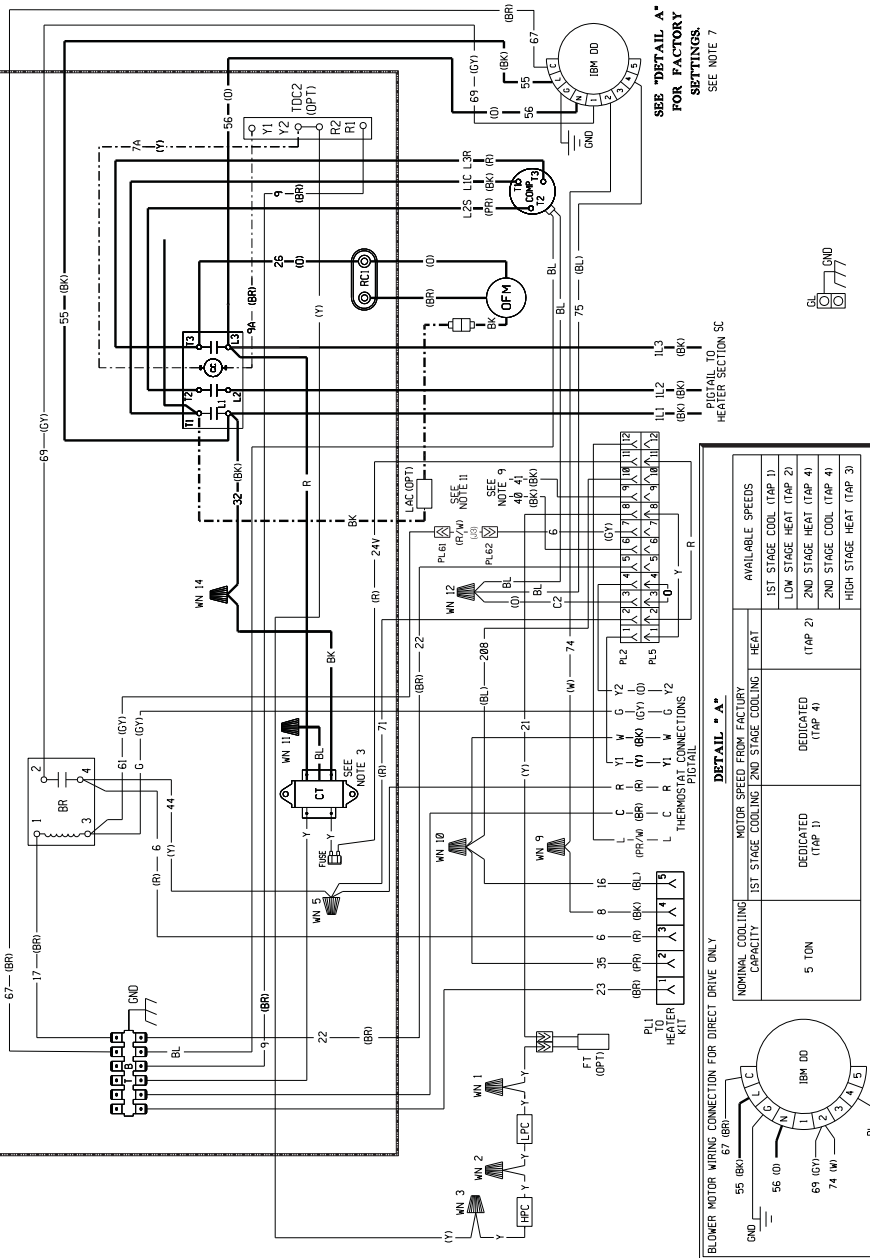
WARNING
-CABINET MUST BE PERMANENTLY GROUNDED AND CONFORM TO I.E.C., N.E.C., C.E.C., NATIONAL WIRING REGULATIONS, AND LOCAL CODES AS APPLICABLE.

APPROVED: MGR
MODEL NO.: R-1058S005
DATE: 2-11-13
CHECKED:
PART NO.: 90-23597-30
ORIGINAL RELEASE NO.: R-1058S005
REV.: 03

WIRING SCHEMATIC



WIRING DIAGRAM



WIRE COLOR CODE

- BK.....BLACK
- GR.....GREEN
- PR.....PURPLE
- BR.....BROWN
- GY.....GRAY
- R.....RED
- BL.....BLUE
- O.....ORANGE
- W.....WHITE
- Y.....YELLOW

ELECTRICAL WIRING DIAGRAM

208 / 230 / 460V, 3 PHASE
DIRECT DRIVE / X-MOTOR
PACKAGE AIR CONDITIONER
2-STAGE

COMPONENT CODES

- OFM OUTDOOR FAN MOTOR
- PL PLUG
- RC RUN CAPACITOR
- SC START CAPACITOR
- SR START RELAY
- TB TERMINAL BLOCK (LOW VOLTAGE)
- WIN TIME DELAY CONTROL
- BR BLOWER RELAY
- CC COMPRESSOR CONTACTOR
- COMP COMPRESSOR
- CT CONTROL TRANSFORMER
- FT FREEZE STAT
- GL GROUND LUG
- GND GROUND
- HPC HIGH PRESSURE CONTROL
- IBMD INDOOR BLOWER MOTOR/DIRECT DRIVE
- LPC LOW PRESSURE CONTROL
- LFC LOW FREQUENCY CONTROL
- LPC LOW PRESSURE CONTROL

NOTES

1. CONNECTORS SUITABLE FOR USE WITH COPPER CONDUCTORS ONLY.
2. COMPRESSOR MOTOR THERMALLY PROTECTED. ALL 3 PHASE MODELS ARE PROTECTED UNDER PRIMARY SINGLE PHASE CONDITIONS.
3. 50 HZ. TRANSFORMER-PRIMARY LEADS.
4. RED-COMM. BLUE-208V. BLACK-230V. BLACK/RED-460V. BLACK/BLUE-575V. TRANSFORMER FACTORY WIRE FOR 230 VOLTS ON 'J' & 'C' MODELS. INTERCHANGE BLACK & BLUE LEADS FOR 208V. 50 HZ.
5. 10 TON. 140V & 315V MODELS FACTORY WIRE FOR CORRECT VOLTAGE. ORANGE-COMMON. BLUE-380V. BLACK-H15V.
6. CONTACTOR FACTORY WIRE. CONNECT FIELD WIRE TO FACTORY SUPPLIED PIGTAIL.
7. LOW VOLTAGE CIRCUIT IS N.E.C. CLASS 2 WITH A CLASS 2 FUSED DISCONNECT.
8. CONNECT FIELD WIRING IN GROUNDING PAN TIGHT CONDUIT TO 60 HZ.
9. MOTOR FACTORY WIRE FOR CORRECT SPEED.
10. SEE FUSE LABEL ON UNIT FUSE BOX FOR FUSE SIZING AND CLASSIFICATION.
11. RESISTANCE (R2 & R3) GO TO THE MIXED AIR SENSOR ON THE NATIONAL WIRING REGULATIONS, AND LOCAL CODES AS APPLICABLE.
12. Y2 IS USED ONLY FOR THE OPTIONAL ECONOMIZER.
11. REMOVE JUMPER FOR FIELD INSTALLED OCCUPANCY RELAY.

WIRING INFORMATION

- LINE VOLTAGE
- FACTORY STANDARD
- FACTORY OPTION
- FIELD INSTALLED
- LOW VOLTAGE
- FACTORY STANDARD
- FIELD INSTALLED
- REPLACEMENT WIRE
- MUST BE THE SAME SIZE AND TYPE
- MUST BE PERMANENTLY GROUNDED AND CONFORM TO I.E.C., N.E.C., C.E.C., AND NATIONAL WIRING REGULATIONS, AND LOCAL CODES AS APPLICABLE.
- WARNING
- CABINET MUST BE PERMANENTLY GROUNDED AND CONFORM TO I.E.C., N.E.C., C.E.C., AND NATIONAL WIRING REGULATIONS, AND LOCAL CODES AS APPLICABLE.

WIRING INFORMATION

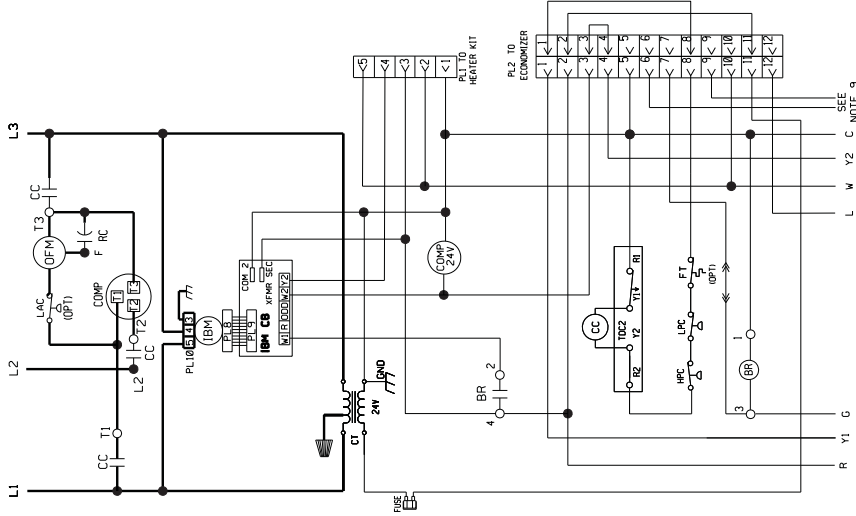
- REPLACEMENT WIRE
- MUST BE THE SAME SIZE AND TYPE
- MUST BE PERMANENTLY GROUNDED AND CONFORM TO I.E.C., N.E.C., C.E.C., AND NATIONAL WIRING REGULATIONS, AND LOCAL CODES AS APPLICABLE.
- WARNING
- CABINET MUST BE PERMANENTLY GROUNDED AND CONFORM TO I.E.C., N.E.C., C.E.C., AND NATIONAL WIRING REGULATIONS, AND LOCAL CODES AS APPLICABLE.

WIRING INFORMATION

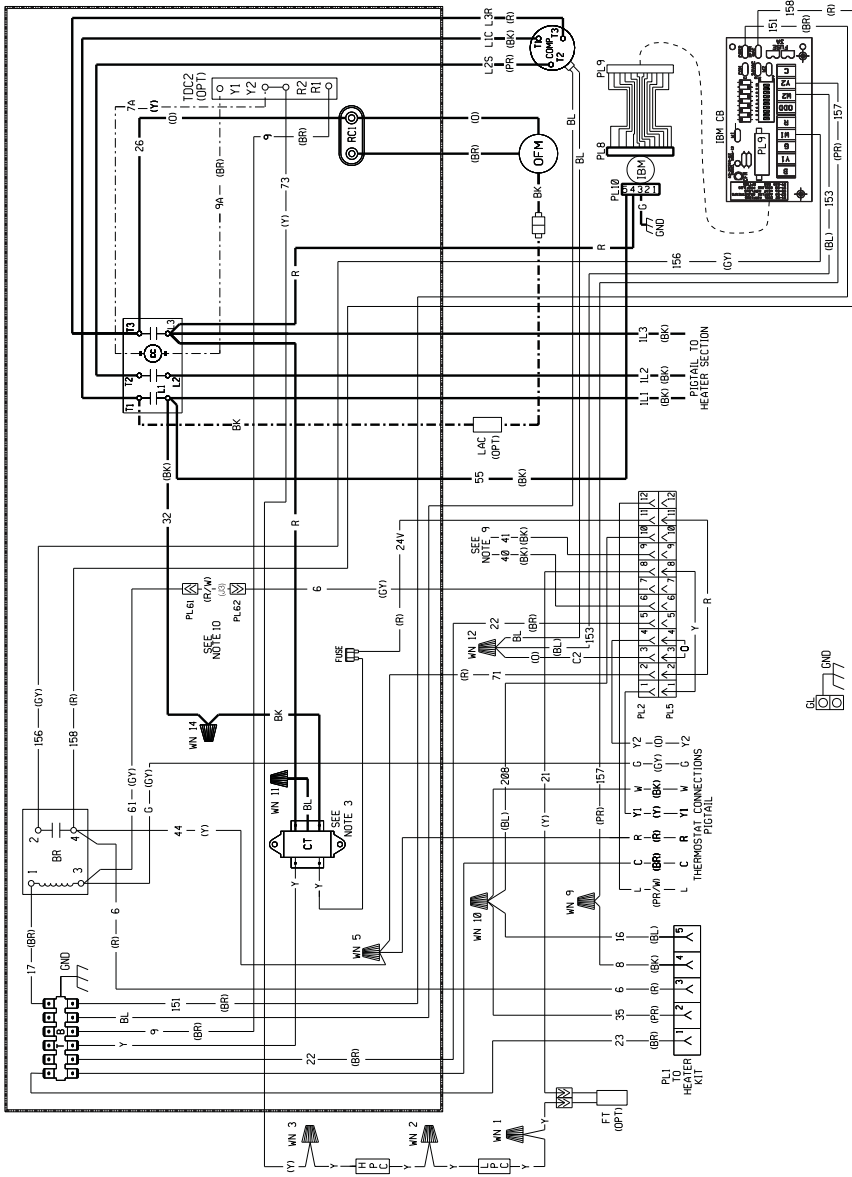
- REPLACEMENT WIRE
- MUST BE THE SAME SIZE AND TYPE
- MUST BE PERMANENTLY GROUNDED AND CONFORM TO I.E.C., N.E.C., C.E.C., AND NATIONAL WIRING REGULATIONS, AND LOCAL CODES AS APPLICABLE.
- WARNING
- CABINET MUST BE PERMANENTLY GROUNDED AND CONFORM TO I.E.C., N.E.C., C.E.C., AND NATIONAL WIRING REGULATIONS, AND LOCAL CODES AS APPLICABLE.

APPROVED:	CHECKED:	ORIGINAL RELEASE NO.:
MODELED MGR	DATE: 3-26-13	R-1058S005
PART NO.:	90-23597-31	REV: 03

WIRING SCHEMATIC



WIRING DIAGRAM



WIRE COLOR CODE

BK	BLACK	G	GREEN	PR	PURPLE
BR	BROWN	GY	GRAY	R	RED
BL	BLUE	O	ORANGE	W	WHITE
		Y	YELLOW		

ELECTRICAL WIRING DIAGRAM

208 / 230V, 3 PHASE
CV DRIVE / EON-MOTOR
PACKAGE AIR CONDITIONER
2-STAGE

APPROVED:	MGR	CHECKED:	ORIGINAL RELEASE NO.
MODELED:	6-26-13	DATE:	R-1058S011
BY:			
PART NO.:	90-23597-32	REV:	03

COMPONENT CODES

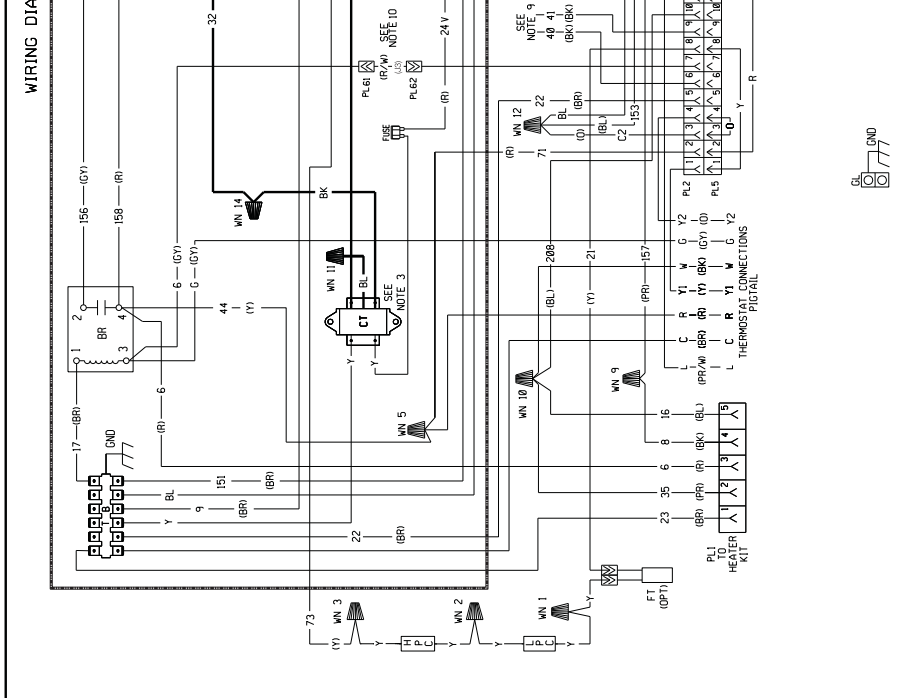
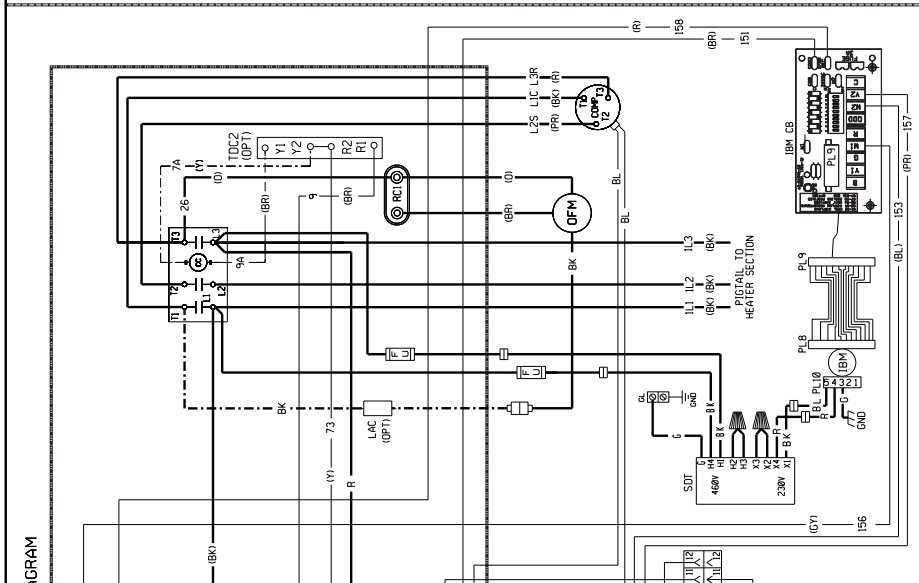
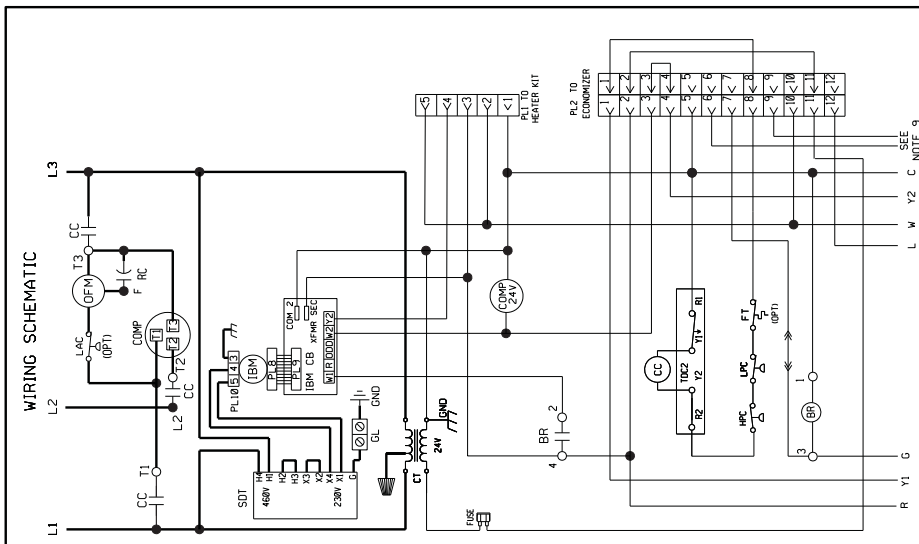
LAC	LOW AMBIENT COOLING CONTROL
LPC	LOW PRESSURE CONTROL
OFM	OUTDOOR FAN MOTOR
PL	PLUG
RC	RUN CAPACITOR
TB	TERMINAL BLOCK (LOW VOLTAGE)
WDC	TIME DELAY CONTROL
WN	WIRE NUT

NOTES

- CONNECTORS SUITABLE FOR USE WITH COPPER CONDUCTORS ONLY.
- MODELS ARE PROTECTED UNDER PRIMARY SINGLE PHASE CONDITIONS.
- CONTROL TRANSFORMER PRIMARY LEADS: RED-BLUE, BLUE-208V, BLACK-230V, BLACK-RED-480V.
- BLACK-BLUE-575V, TRANSFORMER FACTORY WIRE FOR 230 VOLTS ON 'J' & 'C' MODELS, INTERCHANGE BLACK & BLUE LEADS FOR 208V SUPPLY.
- ORANGE-COMMON, BLUE-380V, BLACK-415V.
- CONTRACTOR FACTORY WIRE, CONNECT FIELD WIRE TO TRANSFORMER, 24V, 50/60 HZ SUPPLY.
- LOW VOLTAGE CIRCUIT IS N.E.C. CLASS 2 WITH A CLASS 2 TRANSFORMER, 24V, 50/60 HZ SUPPLY.
- SEE FUSE LABEL ON UNIT FUSE BOX FOR FUSE SIZING AND CLASSIFICATION. THIS UNIT IS EQUIPPED WITH A 10A FUSE. TO THE WIRING AIR SENSOR ON THE OPTIONAL ECONOMIZER.
- REMOVE JUMPER FOR FIELD INSTALLED OCCUPANCY RELAY.

WIRING INFORMATION

- LINE VOLTAGE
 - FACTORY STANDARD
 - FACTORY OPTION
 - FIELD INSTALLED
 - LOW VOLTAGE
 - FACTORY STANDARD
 - FIELD INSTALLED
- REPLACEMENT WIRE MUST BE THE SAME SIZE AND TYPE OF INSULATION AS ORIGINAL (105C, MIN.)
- WARNING**
-CABINET MUST BE PERMANENTLY GROUNDED AND CONFORM TO I.E.C., N.E.C., C.E.C., NATIONAL WIRING REGULATIONS, AND LOCAL CODES AS APPLICABLE.



WIRE COLOR CODE

BK.....	BLACK	G.....	GREEN	PR.....	PURPLE
BR.....	BROWN	GY.....	GRAY	R.....	RED
BL.....	BLUE	O.....	ORANGE	W.....	WHITE
		Y.....	YELLOW		

ELECTRICAL WIRING DIAGRAM

460V, 3 PHASE
CV DRIVE / EON-MOTOR
PACKAGE AIR CONDITIONER
2-STAGE

APPROVED:	CHECKED:	ORIGINAL RELEASE NO.:
MODELED MGR	DATE: 2-11-13	R-1058S007
BY:		
PART NO.:	90-23597-33	REV: 03

COMPONENT CODES

LAC	LOW AMBIENT COOLING CONTROL
LPC	LOW PRESSURE CONTROL
OFM	OUTDOOR FAN MOTOR
PL	PLUG
PLC	CONTROL TRANSFORMER
PL	FREEZE STAT
GL	GROUND LUG
GND	GROUND
HPC	HIGH PRESSURE CONTROL
IBM CB	INDOOR BLOWER MOTOR
IBM CB	INDOOR BLOWER MOTOR CONTROL BOARD
LAC	LOW AMBIENT COOLING CONTROL
LPC	LOW PRESSURE CONTROL
OFM	OUTDOOR FAN MOTOR
PL	PLUG
PLC	CONTROL TRANSFORMER
PL	FREEZE STAT
GL	GROUND LUG
GND	GROUND
HPC	HIGH PRESSURE CONTROL
IBM CB	INDOOR BLOWER MOTOR
IBM CB	INDOOR BLOWER MOTOR CONTROL BOARD

NOTES

- CONNECTORS SUITABLE FOR USE WITH COPPER CONDUCTORS ONLY.
- COMPRESSOR MOTOR THERMALLY PROTECTED, ALL 3 PHASE
- MODEL TRANSFORMER PRIMARY LEADS.
- REP-COM, BLUE-208V, BLACK-230V, BLACK-RED-48V, 20A W/TS ON 2" X 1" MODEL, INTERCHANGE BLACK & RED LEADS FOR 208V OPERATION, 480V & 575V MODELS FACTORY WIRING FOR CORRECT VOLTAGE.
- REP-COM, BLUE-208V, BLACK-230V, BLACK-RED-48V, 20A W/TS ON 2" X 1" MODEL, INTERCHANGE BLACK & RED LEADS FOR 208V OPERATION, 480V & 575V MODELS FACTORY WIRING FOR CORRECT VOLTAGE.
- CONNECTOR FACTORY WIRING, CONNECT FIELD WIRE TO FACTORY SUPPLIED PIGTAIL.
- VOLTAGE CIRCUIT IS IN CLASS 2 WITH A CLASS 2 TO 80 HZ FUSED DISCONNECT.
- CONNECT FIELD WIRING IN GROUND RAIN TIGHT CONDUIT TO 80 HZ FUSED DISCONNECT.
- SEE LABEL ON UNIT FUSE BOX FOR FUSE SIZING AND CLASSIFICATION.
- WIRED FROM PL2 (6 & 9) GND TO THE MIXED AIR SENSOR ON THE HEATER UNIT.
- REMOVE JUMPER FOR FIELD INSTALLED OCCUPANCY RELAY.

WIRING INFORMATION

LINE VOLTAGE
-FACTORY STANDARD
-FACTORY OPTION
-FIELD INSTALLED

LOW VOLTAGE
-FACTORY STANDARD
-FIELD INSTALLED

REPLACEMENT WIRE
-MUST BE THE SAME SIZE AND TYPE
-CABINET MUST BE PERMANENTLY GROUNDING AND CONFORM TO E.C.C., N.E.C., C.E.C., AND LOCAL ELECTRICAL REGULATIONS, AND LOCAL CODES AS APPLICABLE.

BEFORE PURCHASING THIS APPLIANCE, READ IMPORTANT ENERGY COST AND EFFICIENCY INFORMATION AVAILABLE FROM YOUR RETAILER.

GENERAL TERMS OF LIMITED WARRANTY*

Rheem will furnish a replacement for any part of this product which fails in normal use and service within the applicable periods stated, in accordance with the terms of the limited warranty.

***For complete details of the Limited and Conditional Warranties, including applicable terms and conditions, contact your local contractor or the Manufacturer for a copy of the product warranty certificate.**

Conditional Parts (Registration Required)

1 Phase, Residential ApplicationsTen (10) Years

Compressor

1 Phase, Residential ApplicationsTen (10) Years

1 & 3 Phase, Commercial Applications.....Five (5) Years

Parts

1 & 3 Phase, Commercial ApplicationsOne (1) Year





The new degree of comfort.™

In keeping with its policy of continuous progress and product improvement, Rheem reserves the right to make changes without notice.

Rheem Heating, Cooling & Water Heating • P.O. Box 17010
Fort Smith, Arkansas 72917 • www.rheem.com

Rheem Canada Ltd./Ltée • 125 Edgeware Road, Unit 1
Brampton, Ontario • L6Y 0P5



INTEGRATED AIR & WATER