

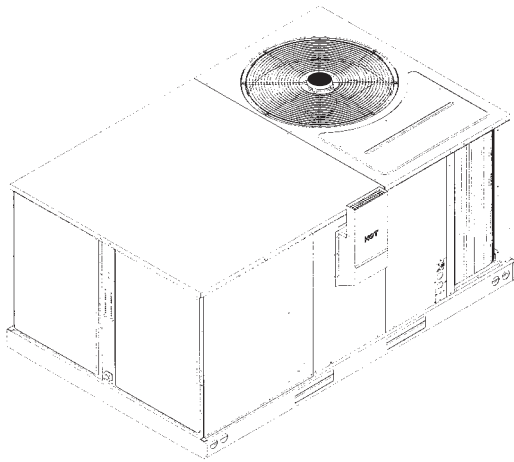
INSTALLATION INSTRUCTIONS

Package Gas Electric Featuring
Industry Standard R-410A Refrigerant **R-410A**

RKNN 13 SEER (3-5 TONS) SERIES

RKPN 14 SEER (3-5 TONS) SERIES

RKQN 15 SEER (3-5 TONS) SERIES



(14 & 15 SEER
ONLY)



RECOGNIZE THIS SYMBOL AS AN INDICATION OF IMPORTANT SAFETY INFORMATION!

▲ WARNING

IF THE INFORMATION IN THESE INSTRUCTIONS IS NOT FOLLOWED EXACTLY, A FIRE OR EXPLOSION MAY RESULT, CAUSING PROPERTY DAMAGE, PERSONAL INJURY OR DEATH.

▲ WARNING

THESE INSTRUCTIONS ARE INTENDED AS AN AID TO QUALIFIED SERVICE PERSONNEL FOR PROPER INSTALLATION, ADJUSTMENT AND OPERATION OF THIS UNIT. READ THESE INSTRUCTIONS THOROUGHLY BEFORE ATTEMPTING INSTALLATION OR OPERATION. FAILURE TO FOLLOW THESE INSTRUCTIONS MAY RESULT IN IMPROPER INSTALLATION, ADJUSTMENT, SERVICE OR MAINTENANCE, POSSIBLY RESULTING IN FIRE, ELECTRICAL SHOCK, CARBON MONOXIDE POISONING, EXPLOSION, PROPERTY DAMAGE, PERSONAL INJURY OR DEATH.

▲ WARNING

PROPOSITION 65 WARNING: THIS PRODUCT CONTAINS CHEMICALS KNOWN TO THE STATE OF CALIFORNIA TO CAUSE CANCER, BIRTH DEFECTS OR OTHER REPRODUCTIVE HARM.

▲ WARNING

- Do not store or use gasoline or other flammable vapors and liquids, or other combustible materials in the vicinity of this or any other appliance.
- WHAT TO DO IF YOU SMELL GAS
 - Do not try to light any appliance.
 - Do not touch any electrical switch; do not use any phone in your building.
 - Immediately call your gas supplier from a neighbor's phone. Follow the gas supplier's instructions.
 - If you cannot reach your gas supplier, call the fire department.
 - Do not return to your home until authorized by the gas supplier or fire department.
- DO NOT RELY ON SMELL ALONE TO DETECT LEAKS. DUE TO VARIOUS FACTORS, YOU MAY NOT BE ABLE TO SMELL FUEL GASES.
 - U.L. recognized fuel gas and CO detectors are recommended in all applications, and their installation should be in accordance with the manufacturer's recommendations and/or local laws, rules, regulations, or customs.
- Improper installation, adjustment, alteration, service or maintenance can cause injury, property damage or death. Refer to this manual. Installation and service must be performed by a qualified installer, service agency or the gas supplier. In the commonwealth of Massachusetts, installation must be performed by a licensed plumber or gas fitter for appropriate fuel.

DO NOT DESTROY THIS MANUAL. PLEASE READ CAREFULLY AND KEEP IN A SAFE PLACE FOR FUTURE REFERENCE BY A SERVICEMAN.



I. TABLE OF CONTENTS

I. Table of Contents	2
II. Introduction	3
III. Checking Product Received	3
IV. Specifications.....	3
A. General	3
B. Major Components	3
C. R-410A Refrigerant	3
1. Specifications of R-410A.....	3
2. Quick Reference Guide for R-410A	4
3. Evaporator Coil/TXV	4
4. Tools Required for Installing and Servicing R-410A Models	4
V. Safety Information.....	4
VI. Unit Dimensions.....	5
VII. Installation.....	7
A. General	7
1. Pre-Installation Check	7
2. Location Considerations.....	7
B. Outside Installation.....	8
C. Attaching Exhaust and Combustion Air Inlet Hoods	9
D. Cover Panel Installation/Conversion Procedure	9
E. Clearances	9
F. Rooftop Installation	10
G. Ductwork	10
H. Return Air	11
VIII. Gas Supply, Condensate Drain and Piping	13
A. Gas Connection	13
B. LP Conversion.....	14
C. NOx Models	14
D. Adjusting or Checking Furnace Input	15
E. Condensate Drain	16
IX. Wiring.....	16
A. Power Supply	16
B. Hook Up	18
C. Internal Wiring	18
D. Thermostat	18
X. Furnace Section Controls and Ignition System.....	19
Normal Furnace Operating Sequence.....	19
Operating Instructions	20
Burners	21
Manual Reset Overtemperature Control.....	21
Pressure Switch.....	21
Limit Control	21
XI. System Operating Information	21
Advise the Customer	21
Furnace Section Maintenance.....	22
Lubrication	23
Cooling Section Maintenance.....	23
Replacement Parts	24
Troubleshooting.....	24
Wiring Diagrams	24
Charging	24
Blower Motor Speed Taps	24
XII. General Data	27-66
XIII. Units with ECM Blower Motors (RKQN-A060CV & DV Units Only)	67
XIV. Miscellaneous	71
Electrical and Physical Data.....	70-79
Airflow Performance	80-89
Wiring Diagrams.....	90-103
Charge Chart.....	104
Troubleshooting.....	105-107



Recognize this symbol as an indication of Important Safety Information!



WARNING

THE MANUFACTURER'S WARRANTY DOES NOT COVER ANY DAMAGE OR DEFECT TO THE AIR CONDITIONER CAUSED BY THE ATTACHMENT OR USE OF ANY COMPONENTS, ACCESSORIES OR DEVICES (OTHER THAN THOSE AUTHORIZED BY THE MANUFACTURER) INTO, ONTO OR IN CONJUNCTION WITH THE AIR CONDITIONER. YOU SHOULD BE AWARE THAT THE USE OF UNAUTHORIZED COMPONENTS, ACCESSORIES OR DEVICES MAY ADVERSELY AFFECT THE OPERATION OF THE AIR CONDITIONER AND MAY ALSO ENDANGER LIFE AND PROPERTY. THE MANUFACTURER DISCLAIMS ANY RESPONSIBILITY FOR SUCH LOSS OR INJURY RESULTING FROM THE USE OF SUCH UNAUTHORIZED COMPONENTS, ACCESSORIES OR DEVICES.



WARNING

INSTALL THIS UNIT ONLY IN A LOCATION AND POSITION AS SPECIFIED IN THE LOCATION REQUIREMENTS AND CONSIDERATIONS SECTION OF THESE INSTRUCTIONS. PROVIDE ADEQUATE COMBUSTION AND VENTILATION AIR TO THE UNIT SPACE AS SPECIFIED IN THE VENTING SECTION OF THESE INSTRUCTIONS.



WARNING

PROVIDE ADEQUATE COMBUSTION AND VENTILATION AIR TO THE UNIT SPACE AS SPECIFIED IN THE COMBUSTION AND VENTILATION AIR SECTION OF THESE INSTRUCTIONS.

II. INTRODUCTION

This booklet contains the installation and operating instructions for your combination gas heating/electric cooling unit. There are some precautions that should be taken to derive maximum satisfaction from it. Improper installation can result in unsatisfactory operation or dangerous conditions.

Read this booklet and any instructions packaged with separate equipment required to make up the system prior to installation. Give this booklet to the owner and explain its provisions. The owner should retain this booklet for future reference.

III. CHECKING PRODUCT RECEIVED

Upon receiving the unit, inspect it for any damage from shipment. Claims for damage, either shipping or concealed, should be filed immediately with the shipping company.

IMPORTANT: Check the unit model number, heating size, electrical characteristics, and accessories to determine if they are correct.

IV. SPECIFICATIONS

A. GENERAL

The Combination Gas Heating/Electric Cooling Rooftop is available in 80,000, 100,000, 120,000 and 135,000 BTU/Hr. heating inputs and cooling capacities of 3, 3½, 4, and 5 nominal tons of cooling. Units are convertible from bottom supply and return to side supply and return by relocation of supply and return air access panels. See cover installation detail.

The units are weatherized for mounting outside of the building.



WARNING

UNITS ARE NOT DESIGN CERTIFIED TO BE INSTALLED INSIDE THE STRUCTURE. DOING SO CAN CAUSE INADEQUATE UNIT PERFORMANCE AS WELL AS PROPERTY DAMAGE AND CARBON MONOXIDE POISONING RESULTING IN PERSONAL INJURY OR DEATH.

The information on the rating plate is in compliance with the FTC and DOE rating for single phase units. The following information is for three phase units which **are not** covered under the DOE certification program.

1. The energy consumption of the ignition system used with this unit is 9 watts.
2. The efficiency rating of this unit is a product thermal efficiency rating determined under continuous operating conditions independent of any installed system.

B. MAJOR COMPONENTS

The unit includes a hermetically-sealed refrigerating system (consisting of a scroll compressor, condenser coil, evaporator coil with thermostatic expansion valve), a circulation air blower, a condenser fan, a heat exchanger assembly, gas burner and control assembly, combustion air motor and fan, and all necessary internal electrical wiring. The cooling system of these units is factory-evacuated, charged with R-410A refrigerant and performance tested. Refrigerant amount and type are indicated on rating plate.

C. R410A REFRIGERANT

All units are factory charged with R-410A refrigerant.

1. Specification of R-410A:

Application: R-410A is not a drop-in replacement for R-22; equipment designs must accommodate its higher pressures. It cannot be retrofitted into R-22 units.

Pressure: The pressure of R-410A is approximately 60% (1.6 times) greater than R-22. Recovery and recycle equipment, pumps, hoses and the like need to have design pressure ratings appropriate for R-410A. *Manifold sets need to range up to 800 psig high-side and 250 psig low-side with a 550 psig low-side retard. Hoses need to have a service pressure rating of 800 psig. Recovery cylinders need to have a 400 psig service pressure rating. DOT 4BA400 or DOT BW400.*

Combustibility: At pressures above 1 atmosphere, mixture of R-410A and air can become combustible. R-410A and air should never be mixed in tanks or supply

lines, or be allowed to accumulate in storage tanks. Leak checking should never be done with a mixture of R-410A and air. Leak checking can be performed safely with nitrogen or a mixture of R-410A and nitrogen.

2. Quick Reference Guide For R-410A

- R-410A refrigerant operates at approximately 60% higher pressure (1.6 times) than R-22. Ensure that servicing equipment is designed to operate with R-410A.
- R-410A refrigerant cylinders are pink.
- R-410A, as with other HFC's is only compatible with POE oils.
- Vacuum pumps will not remove moisture from POE oil.
- R-410A systems are to be charged with liquid refrigerants. Prior to March 1999, R-410A refrigerant cylinders had a dip tube. These cylinders should be kept upright for equipment charging. Post March 1999 cylinders do not have a dip tube and should be inverted to ensure liquid charging of the equipment.
- Do not install a suction line filter drier in the liquid line.
- A liquid line filter drier is standard on every unit.
- Desiccant (drying agent) must be compatible for POE oils and R-410A

3. Evaporator Coil / TXV

The thermostatic expansion valve is specifically designed to operate with R-410A. **DO NOT use an R-22 TXV. The existing evaporator must be replaced with the factory specified TXV evaporator specifically designed for R-410A.**

4. Tools Required For Installing & Servicing R-410A Models

Manifold Sets:

- Up to 800 PSIG High side
- Up to 250 PSIG Low Side
- 550 PSIG Low Side Retard

Manifold Hoses:

- Service Pressure Rating of 800 PSIG

Recovery Cylinders:

- 400 PSIG Pressure Rating
- Dept. of Transportation 4BA400 or BW400

CAUTION

R-410A systems operate at higher pressures than R-22 systems. Do not use R-22 service equipment or components on R-410A equipment.

V. SAFETY INFORMATION

WARNING

USE ONLY WITH TYPE OF GAS APPROVED FOR THIS UNIT. REFER TO THE UNIT RATING PLATE.

VI. UNIT DIMENSIONS

FOR CLEARANCES
SEE FIGURE 7.

**IMPORTANT: THIS UNIT
MUST BE MOUNTED
LEVEL IN BOTH DIRECTIONS
TO ALLOW
WATER TO DRAIN FROM
THE CONDENSER SECTION
AND CONDENSATE
PAN.**

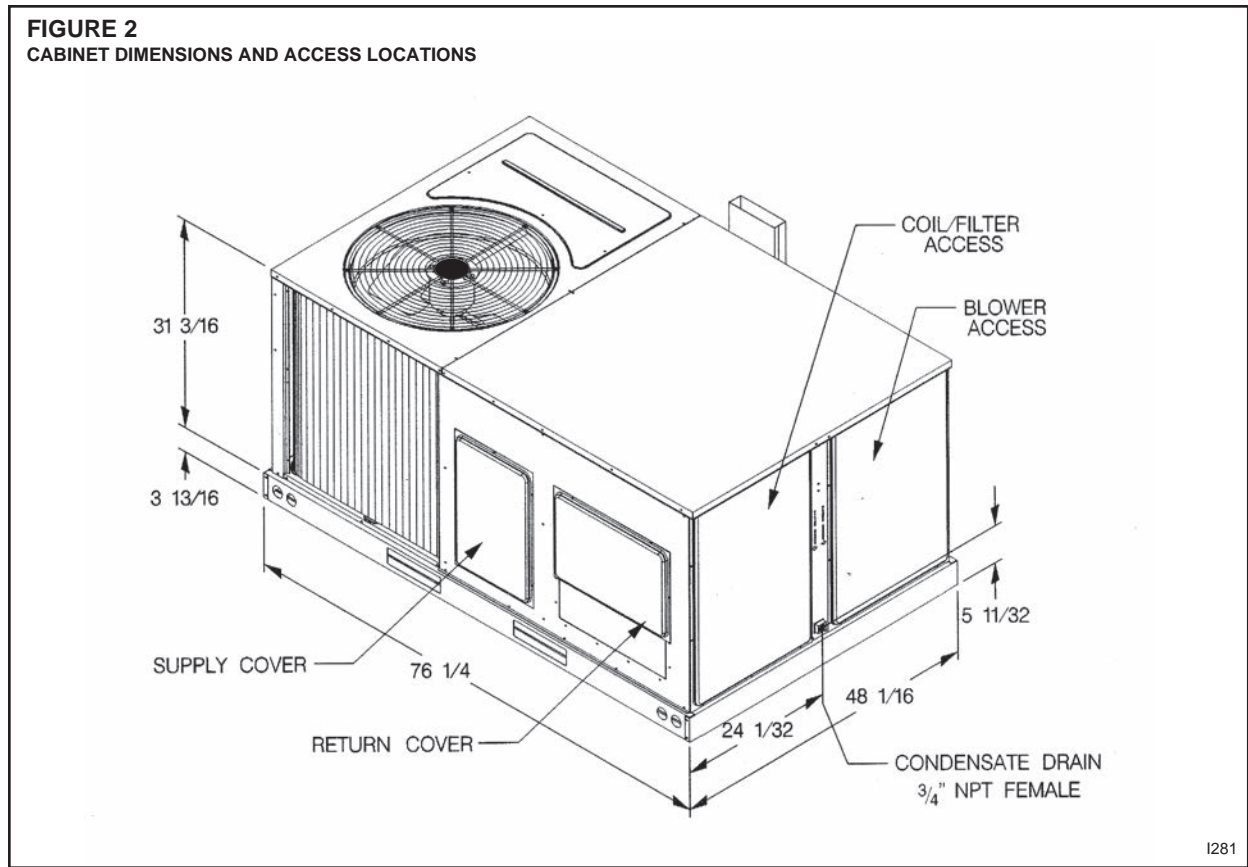
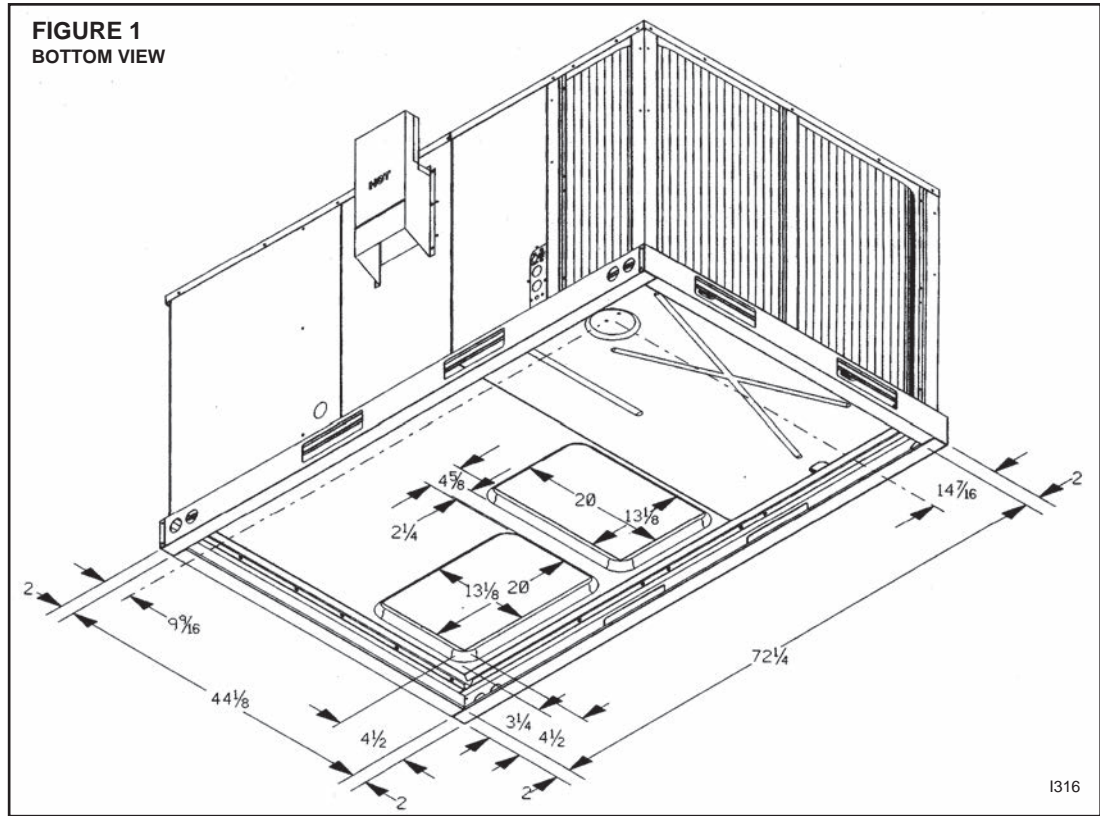
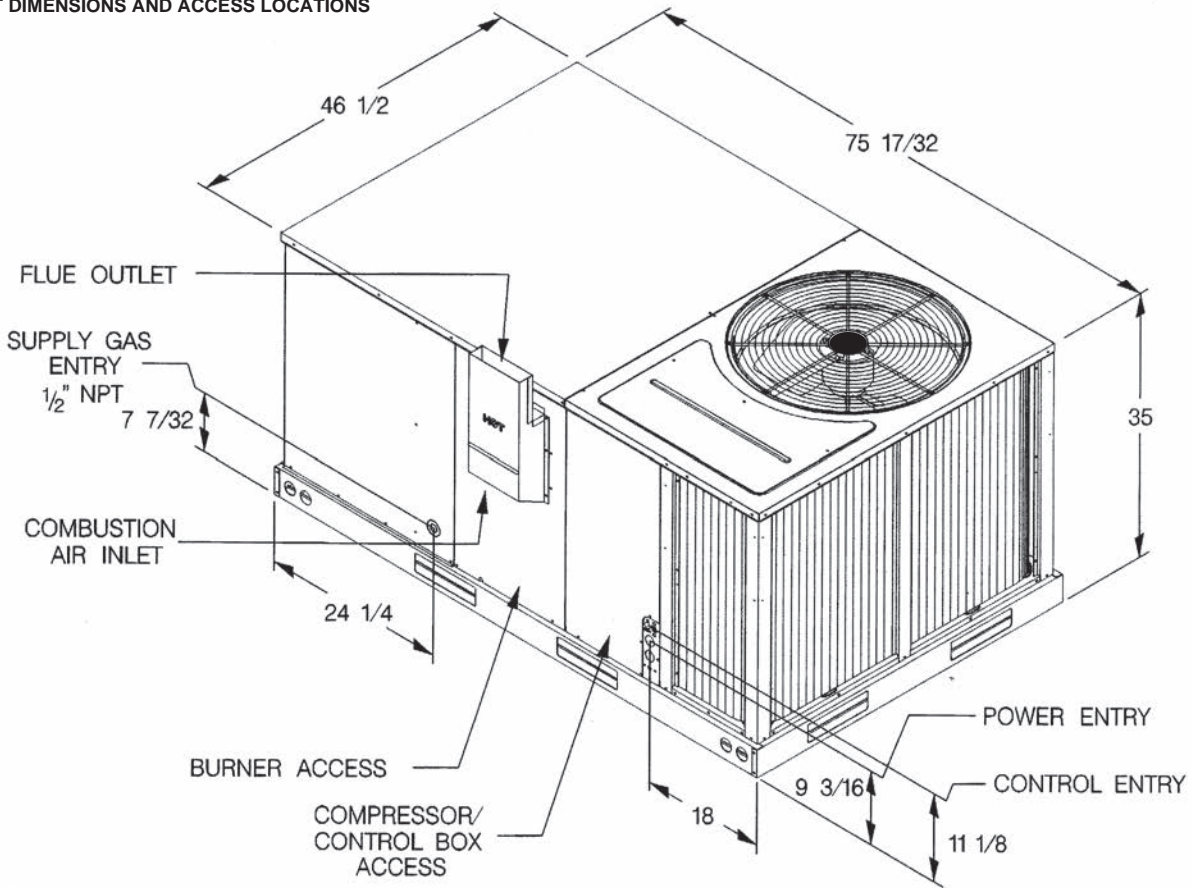
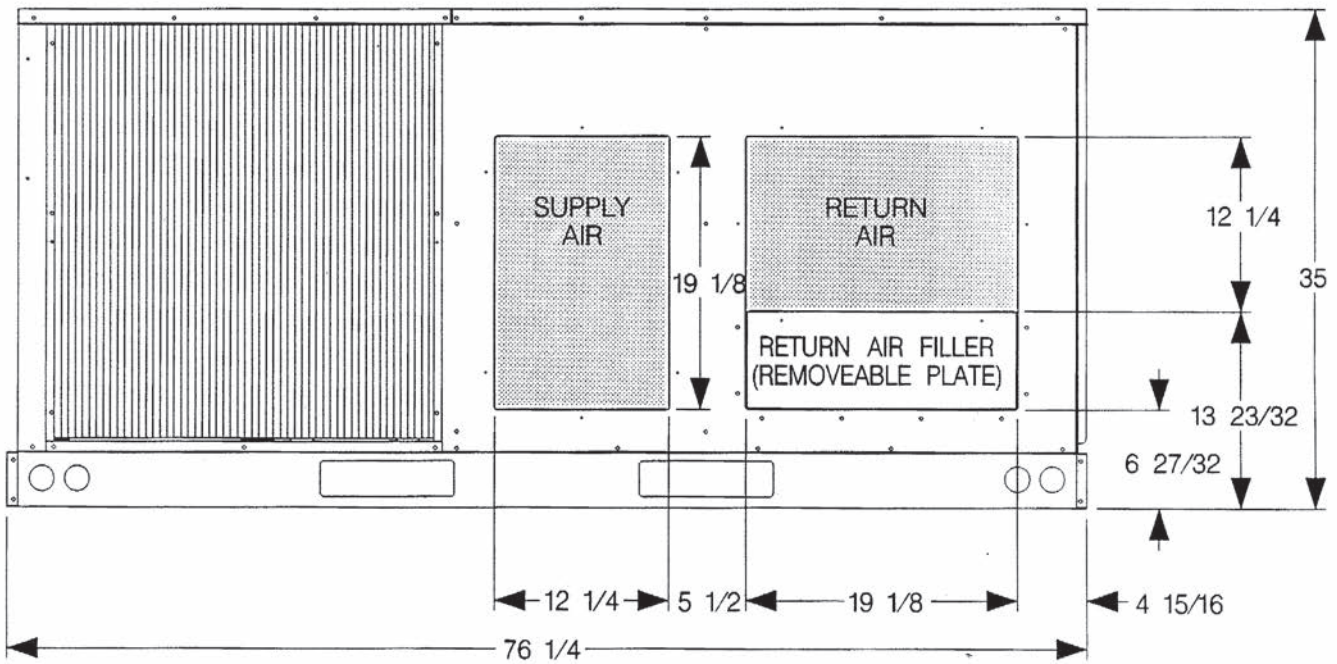


FIGURE 3
CABINET DIMENSIONS AND ACCESS LOCATIONS



1282

FIGURE 4
SUPPLY AND RETURN DIMENSIONS



1288

WARNING

NEVER TEST FOR GAS LEAKS WITH AN OPEN FLAME. USE A COMMERCIALY AVAILABLE SOAP SOLUTION MADE SPECIFICALLY FOR THE DETECTION OF LEAKS TO CHECK ALL CONNECTIONS, AS SPECIFIED IN GAS SUPPLY AND PIPING SECTION OF THESE INSTRUCTIONS.

WARNING

ALWAYS INSTALL UNIT TO OPERATE WITHIN THE UNIT'S INTENDED TEMPERATURE-RISE RANGE WITH A DUCT SYSTEM WHICH HAS AN EXTERNAL STATIC PRESSURE WITHIN THE ALLOWABLE RANGE, AS SPECIFIED IN DUCTING SECTION OF THESE INSTRUCTIONS. SEE ALSO UNIT RATING PLATE.

WARNING

WHEN A UNIT IS INSTALLED SO THAT SUPPLY DUCTS CARRY AIR CIRCULATED BY THE UNIT TO AREAS OUTSIDE THE SPACE CONTAINING THE UNIT, THE RETURN AIR SHALL ALSO BE HANDLED BY DUCT(S) SEALED TO THE UNIT CASING AND TERMINATING OUTSIDE THE SPACE CONTAINING THE UNIT.

VII. INSTALLATION

A. GENERAL

Install this unit in accordance with The American National Standard Z223.1-latest edition booklet entitled "National Fuel Gas Code," and the requirements or codes of the local utility or other authority having jurisdiction.

Additional helpful publications available from the "National Fire Protection Association" are: NFPA-90A - Installation of Air Conditioning and Ventilating Systems 1985 or latest edition. NFPA-90B - Warm Air Heating and Air Conditioning Systems 1984.

These publications are available from:

National Fire Protection Association, Inc.
1 Batterymarch Park
Quincy, MA 02169-7471
www.nfpa.org

1. PRE-INSTALLATION CHECK-POINTS — Before attempting any installation, carefully consider the following points:

- Structural strength of supporting members (Rooftop Installation)
- Clearances and provision for servicing
- Power supply and wiring
- Gas supply and piping
- Air duct connections and sizing
- Drain facilities and connections
- Location for minimum noise and vibration - away from bedroom windows

2. LOCATION CONSIDERATIONS

The metal parts of this unit may be subject to rust or deterioration in adverse environmental conditions. This oxidation could shorten the equipment's useful life. Salt spray, fog or mist in seacoast areas, sulphur or chlorine from lawn watering systems, and various chemical contaminants from industries such as paper mills and petroleum refineries are especially corrosive.

If the unit is to be installed in an area where contaminants are likely to be a problem, give special attention to the equipment location and exposure.

1. Avoid having lawn sprinkler heads spray directly on the unit cabinet.
2. In coastal areas locate the unit on the side of the building away from the waterfront.
3. Shielding by a fence or shrubs may give some protection.

WARNING

DISCONNECT ALL POWER TO UNIT BEFORE STARTING MAINTENANCE. FAILURE TO DO SO CAN CAUSE ELECTRICAL SHOCK RESULTING IN PERSONAL INJURY OR DEATH. REGULAR MAINTENANCE WILL REDUCE THE BUILDUP OF CONTAMINANTS AND HELP TO PROTECT THE UNIT'S FINISH.

1. Frequent washing of the cabinet, fan blade and coil with fresh water will remove most of the salt or other contaminants that build up on the unit.
2. Regular cleaning and waxing of the cabinet with a good automobile polish will provide some protection.
3. A good liquid cleaner may be used several times a year to remove matter that will not wash off with water.

Several different types of protective coatings are offered in some areas. These coatings may provide some benefit, but the effectiveness of such coating materials cannot be verified by the equipment manufacturer.

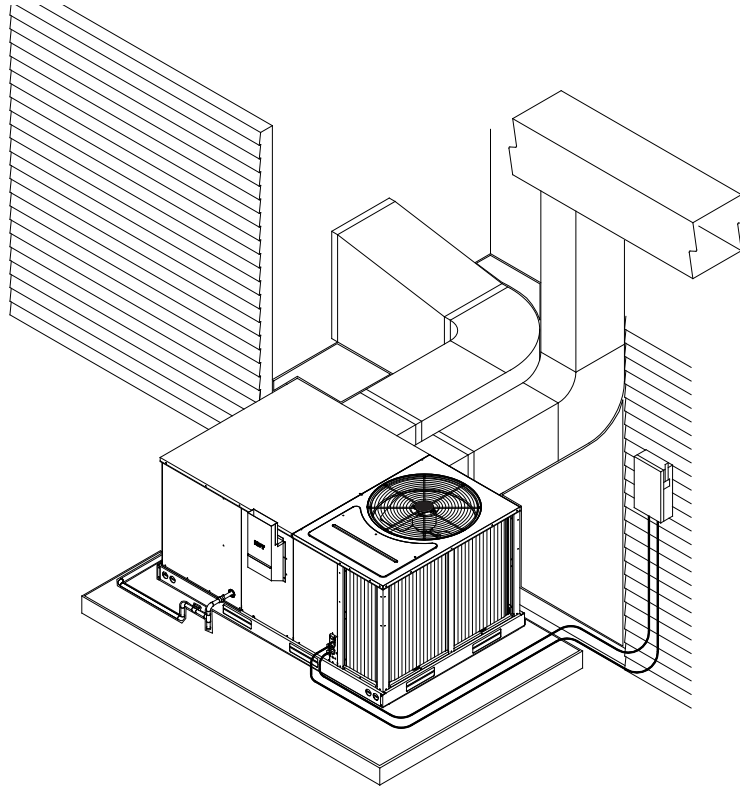
The best protection is frequent cleaning, maintenance and minimal exposure to contaminants.

⚠ WARNING

THIS UNIT MAY BE USED TO HEAT THE BUILDING OR STRUCTURE DURING CONSTRUCTION IF THE FOLLOWING INSTALLATION REQUIREMENTS ARE MET. INSTALLATION MUST COMPLY WITH ALL INSTALLATION INSTRUCTIONS INCLUDING:

- PROPER VENT INSTALLATION;
- FURNACE OPERATING UNDER THERMOSTATIC CONTROL;
- RETURN AIR DUCT SEALED TO THE FURNACE;
- AIR FILTERS IN PLACE;
- SET FURNACE INPUT RATE AND TEMPERATURE RISE PER RATING PLATE MARKING;
- MEANS OF PROVIDING OUTDOOR AIR REQUIRED FOR COMBUSTION;
- RETURN AIR TEMPERATURE MAINTAINED BETWEEN 55°F (13°C) AND 80°F (27°C); AND
- INSTALLATION OF EXHAUST AND COMBUSTION AIR INLET HOODS COMPLETED;
- CLEAN FURNACE, DUCT WORK AND COMPONENTS UPON SUBSTANTIAL COMPLETION OF THE CONSTRUCTION PROCESS, AND VERIFY FURNACE OPERATING CONDITIONS INCLUDING IGNITION, INPUT RATE, TEMPERATURE RISE AND VENTING, ACCORDING TO THE INSTRUCTIONS.

FIGURE 5
OUTSIDE SLAB INSTALLATION. CLOSET DISTRIBUTION SYSTEM. SLAB FLOOR CONSTRUCTION.



1298

B. OUTSIDE SLAB INSTALLATION

⚠ WARNING

THESE UNITS ARE DESIGNED CERTIFIED FOR OUTDOOR INSTALLATION ONLY. INSTALLATION INSIDE ANY PART OF A STRUCTURE CAN RESULT IN INADEQUATE UNIT PERFORMANCE AS WELL AS PROPERTY DAMAGE. INSTALLATION INSIDE CAN ALSO CAUSE RECIRCULATION OF FLUE PRODUCTS INTO THE CONDITIONED SPACE RESULTING IN PERSONAL INJURY OR DEATH.

(Typical outdoor slab installation is shown in Figure 5.)

1. Select a location where external water drainage cannot collect around unit.
2. Provide a level slab sufficiently high enough above grade to prevent surface water from entering the unit
3. The location of the unit should be such as to provide proper access for inspection and servicing as shown in Figure 7.
4. Locate unit where operating sounds will not disturb owner or neighbors.
5. Locate unit so roof runoff water does not pour directly on the unit. Provide gutter or other shielding at roof level. Do not locate unit in an area where excessive snow drifting may occur or accumulate.
6. Where snowfall is anticipated, the height of the unit above the ground level must be considered. Mount unit high enough to be above anticipated maximum area snowfall and to allow combustion air to enter the combustion air inlet.
7. Select an area which will keep the areas of the vent, air intake, and A/C condenser fins free and clear of obstructions such as weeds, shrubs, vines, snow, etc. Inform the user accordingly.
8. Remove compressor shipping supports (if so equipped) after installation.

C. ATTACHING EXHAUST AND COMBUSTION AIR INLET HOODS

IMPORTANT: Do not operate this unit without the exhaust/combustion air inlet hood properly installed. This hood is shipped in a carton in the blower compartment inside the unit and must be attached when the unit is installed. See Figure 3.

To attach exhaust/combustion air inlet hood:

1. Remove screws securing blower access panel and remove access panel. For location of blower access panel, see Figure 2.
2. Remove exhaust/combustion air inlet hood from the carton, located inside the blower compartment.
3. Attach blower access panel.
4. Attach the combustion air inlet/exhaust hood with screws. Reference Figure 3 for proper location. Screws are in carton with the hood.
5. Vent the unit using the flue exhaust hood, as supplied from the factory, without alteration or addition.

D. COVER PANEL INSTALLATION/CONVERSION PROCEDURE

DOWNFLOW TO HORIZONTAL

1. Remove the screws and covers from the outside of the supply and return sections.
2. Install the covers in the bottom supply and return openings with the painted side up. See Figure 6. Use the existing gasket to seal the covers.
3. Secure the supply cover to the base of the unit with 1 screw, engaging prepunched tab in unit base.
4. Secure the return cover to the base of the unit with screws engaging prepunched holes in the unit base.

This unit is provided with 2 - 25" X 16" X 1" disposable filters. When replacing filters, ensure they are inserted fully to the back to prevent bypass.

E. CLEARANCES

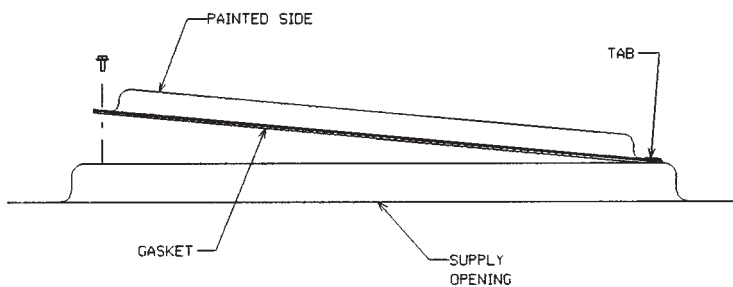
The following minimum clearances must be observed for proper unit performance and serviceability. Reference Figure 7.

NOTE: Supply duct may be installed with "0" inch clearance to combustible materials, provided 1" minimum Fiberglass insulation is applied either inside or on the outside of the duct.

Recommended Clearance	Location
48"	A - Front
18"	B - Condenser Coil
12"*	C - Duct Side
36"	D - Evaporator End
60"	E - Above

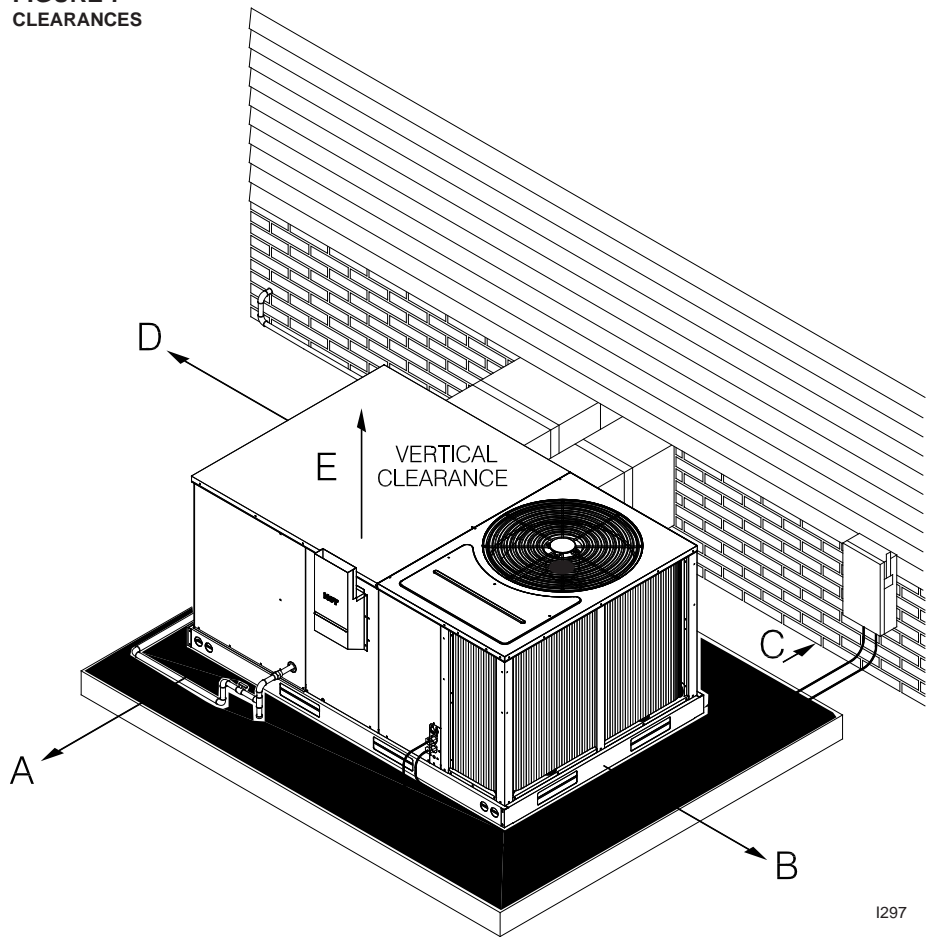
*Without Economizer. 57 With Economizer

**FIGURE 6
COVER GASKET DETAIL FOR UNITS SHIPPED FOR DOWNFLOW APPLICATION
BEING CONVERTED TO HORIZONTAL**



1631

**FIGURE 7
CLEARANCES**



F. ROOFTOP INSTALLATION

1. Before locating the unit on the roof, make sure that the roof structure is adequate to support the weight involved. (See Electrical & Physical Tables in this manual.) **THIS IS VERY IMPORTANT AND THE INSTALLER'S RESPONSIBILITY.**
2. For rigging and roofcurb details, see Figures 8, 9, 10 and 11.
3. The location of the unit on the roof should be such as to provide proper access for inspection and servicing.
4. Remove compressor shipping supports (if so equipped) after installation.

IMPORTANT: *If unit will not be put into service immediately, block off supply and return air openings to prevent excessive condensation.*

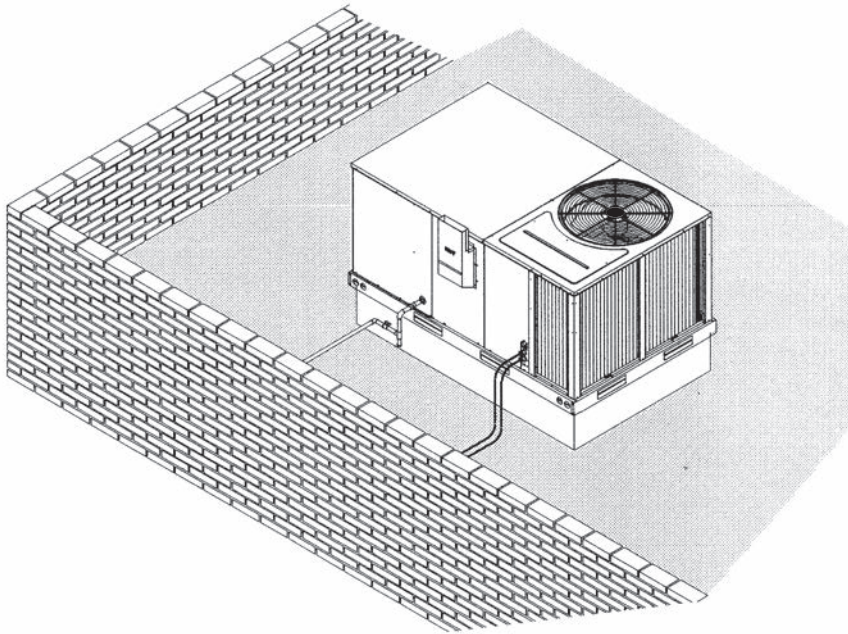
G. DUCTWORK

The installing contractor should fabricate ductwork in accordance with local codes. Use industry manuals as a guide when sizing and designing the duct system. Contact Air Conditioning Contractors of America, 2800 Shirlington Road, Suite 300, Arlington, VA 22206, <http://www.acca.org>.

▲ WARNING

DO NOT, UNDER ANY CIRCUMSTANCES, CONNECT RETURN DUCTWORK TO ANY OTHER HEAT PRODUCING DEVICE SUCH AS FIREPLACE INSERT, STOVE, ETC. UNAUTHORIZED USE OF SUCH DEVICES MAY RESULT IN FIRE, CARBON MONOXIDE POISONING, EXPLOSION, PERSONAL INJURY, PROPERTY DAMAGE OR DEATH.

FIGURE 8
FLAT ROOFTOP INSTALLATION, ATTIC OR DROP CEILING DISTRIBUTING SYSTEM. MOUNTED ON ROOFCURB. CURB MUST BE LEVEL.



I299

Place the unit as close to the conditioned space as possible allowing clearances as indicated. Run ducts as directly as possible to supply and return outlets. Use of non-flammable weatherproof flexible connectors on both supply and return connections at unit to reduce noise transmission is recommended.

On ductwork exposed to outside temperature and humidity, use a minimum of 2" of insulation and a vapor barrier. Distribution system in attic, furred space or crawl space should be insulated with at least 2" of insulation. ½" to 1" thick insulation is usually sufficient for ductwork inside the air conditioned space.

Provide balancing dampers for each branch duct in the supply system. Properly support ductwork from the structure.

IMPORTANT: In the event that the return air ducts must be run through an "unconfined" space containing other fuel burning equipment, it is imperative that the user/homeowner must be informed against future changes in construction which might change this to a "confined space." Also, caution the user/homeowner against any future installation of additional equipment (such as power ventilators, clothes dryers, etc., within the existing unconfined and/or confined space which might create a negative pressure within the vicinity of other solid, liquid, or gas fueled appliances.

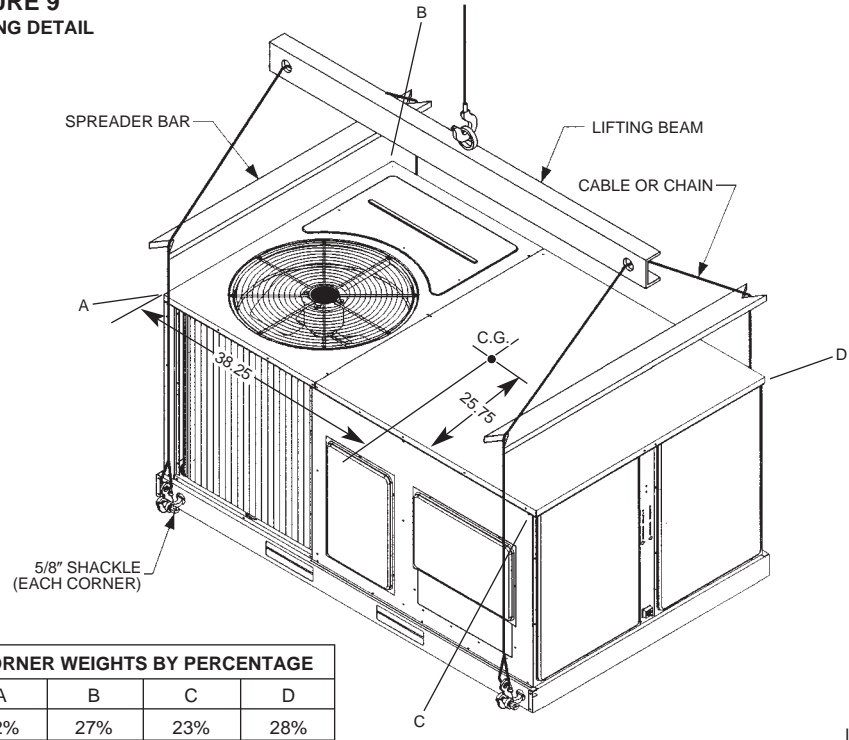
H. RETURN AIR

WARNING

NEVER ALLOW PRODUCTS OF COMBUSTION OR THE FLUE PRODUCTS TO ENTER THE RETURN AIR DUCTWORK, OR THE CIRCULATING AIR SUPPLY. ALL RETURN DUCTWORK MUST BE ADEQUATELY SEALED AND SECURED TO THE FURNACE WITH SHEET METAL SCREWS, AND JOINTS TAPED. ALL OTHER DUCT JOINTS MUST BE SECURED WITH APPROVED CONNECTIONS AND SEALED AIRTIGHT.

FAILURE TO PREVENT PRODUCTS OF COMBUSTION FROM BEING CIRCULATED INTO THE LIVING SPACE CAN CREATE POTENTIALLY HAZARDOUS CONDITIONS, INCLUDING CARBON MONOXIDE POISONING THAT COULD RESULT IN PERSONAL INJURY OR DEATH.

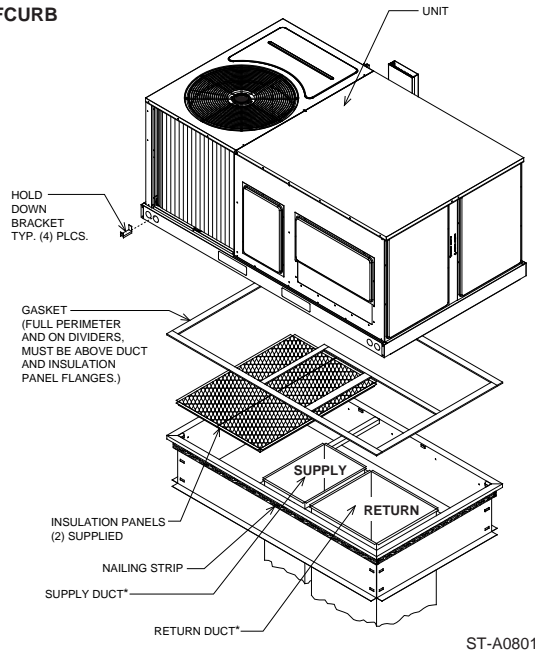
**FIGURE 9
LIFTING DETAIL**



CORNER WEIGHTS BY PERCENTAGE			
A	B	C	D
22%	27%	23%	28%

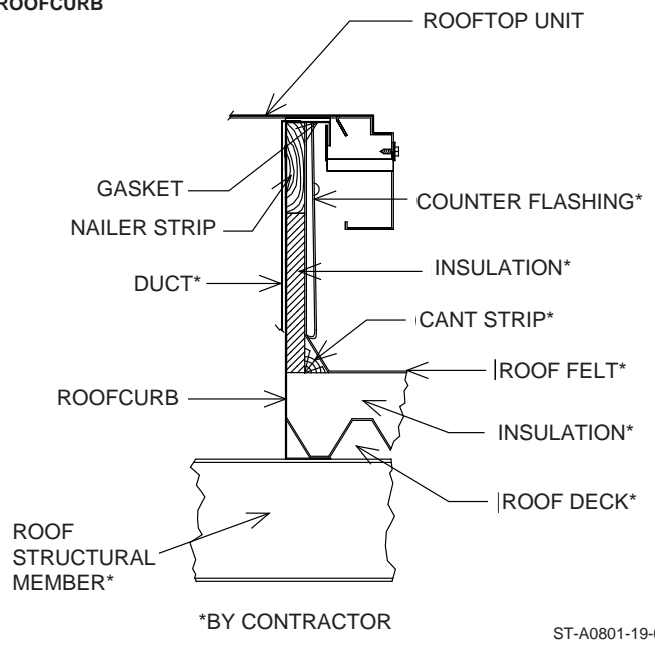
1296

**FIGURE 10
ROOFCURB**



ST-A0801-19-01

**FIGURE 11
ROOFCURB**



*BY CONTRACTOR

ST-A0801-19-01

VIII. GAS SUPPLY, CONDENSATE DRAIN AND PIPING

A. GAS CONNECTION

IMPORTANT: Connect this unit only to gas supplied by a commercial utility.

1. Install gas piping in accordance with local codes and regulations of the local utility company. In the absence of local codes, the installation must conform to the specifications of the National Fuel Gas Code, ANSI Z223.1 - latest edition.

NOTE: The use of flexible gas connectors is not permitted. If local codes allow the use of a corrugated stainless steel flexible gas appliance connector, always use a new listed connector. Do not use a connector which has previously serviced another gas appliance.

NOTE: The Commonwealth of Massachusetts requires the gas shut-off valve to be a T-handle gas cock.

2. Connect the gas line to the gas pipe inlet opening provided into the 1/2" inlet valve. See Figure 5 or 8 for typical piping.
3. Size the gas line to the furnace adequate enough to prevent undue pressure drop and never less than 1/2" nominal pipe size.
4. Install a drip leg or sediment trap in the gas supply line as close to the unit as possible.
5. Install an outside ground joint union to connect the gas supply to the control assembly at the burner tray.
6. Gas valves have been factory installed. Install a manual gas valve where local codes specify a shut-off valve outside the unit casing. (See Figure 12.)
7. Make sure piping is tight. **A pipe compound resistant to the action of liquefied petroleum gases must be used at all threaded pipe connections.**
8. **IMPORTANT:** any additions, changes or conversions required for the furnace to satisfactorily meet the application should be made by a qualified installer, service agency or the gas supplier, using factory-specified or approved parts. In the commonwealth of Massachusetts, installation must be performed by a licensed plumber or gas fitter for appropriate fuel.

IMPORTANT: Disconnect the furnace and its individual shutoff valve from the gas supply piping during any pressure testing of that system at test pressures in excess of 1/2 pound per square inch gauge or isolate the system from the gas supply piping system by closing its individual manual shutoff valve during any pressure testing of this gas supply system at pressures equal to or less than 1/2 PSIG.

TO CHECK FOR GAS LEAKS, USE A SOAP AND WATER SOLUTION OR OTHER APPROVED METHOD. DO NOT USE AN OPEN FLAME.

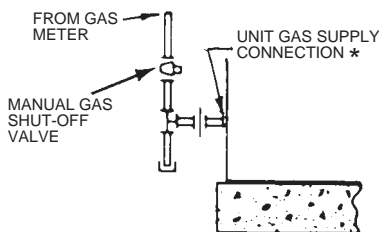
⚠ WARNING

CHECK FOR LEAKS. THE USE OF AN OPEN FLAME CAN RESULT IN FIRE, EXPLOSION, PROPERTY DAMAGE, PERSONAL INJURY OR DEATH.

IMPORTANT: Check the rating plate to make certain the appliance is equipped to burn the type of gas supplied. Care should be taken after installation of this equipment that the gas control valve not be subjected to high gas supply line pressure.

FIGURE 12
SUGGESTED GAS PIPING

ROOF OR GROUND LEVEL INSTALLATION



*Factory supplied grommet must be utilized.

TABLE 1
NATURAL GAS PIPE CAPACITY TABLE (CU. FT./HR.)

Nominal Iron Pipe Size, Inches	Equivalent Length of Pipe, Feet							
	10	20	30	40	50	60	70	80
1/2	132	92	73	63	56	50	46	43
3/4	278	190	152	130	115	105	96	90
1	520	350	285	245	215	195	180	170
1 1/4	1,050	730	590	500	440	400	370	350
1 1/2	1,600	1,100	890	760	670	610	560	530

In making gas connections, avoid strains as they may cause noise and damage the controls. A backup wrench is required to be used on the valve to avoid damage.

The capacities of gas pipe of different diameters and lengths in cu. ft. per hr. with pressure drop of 0.3 in. and specific gravity of 0.60 (natural gas) are shown in Table 1.

After determining the pipe length, select the pipe size which will provide the minimum cubic feet per hour required for the gas input rating of the furnace. By formula:

$$\text{Cu. Ft. Per Hr. Required} = \frac{\text{Gas Input of Furnace (BTU/HR)}}{\text{Heating Value of Gas (BTU/FT}^3\text{)}}$$

The gas input of the furnace is marked on the furnace rating plate. The heating value of the gas (BTU/FT³) may be determined by consulting the local natural gas utility or the L.P. gas supplier.

B. LP CONVERSION

WARNING

FACTORY FOR USE ON NATURAL GAS ONLY. CONVERSION TO LP GAS REQUIRES A SPECIAL KIT SUPPLIED BY THE DISTRIBUTOR OR MANUFACTURER. MAILING ADDRESSES ARE LISTED ON THE FURNACE RATING PLATE, PARTS LIST AND WARRANTY. FAILURE TO USE THE PROPER CONVERSION KIT CAN CAUSE FIRE, CARBON MONOXIDE POISONING, EXPLOSION, PERSONAL INJURY, PROPERTY DAMAGE OR DEATH.

Convert the valve to use liquefied petroleum (LP) gas by replacing the pressure regulator spring with the conversion kit spring. This LP kit spring allows the regulator to maintain the proper manifold pressure for LP gas. The correct burner LP orifices are included in the kit. See Figure 13.

IMPORTANT: To remove the gas valve, remove the four screws securing the manifold pipe to the burner tray. Remove the manifold pipe with gas valve attached. See Figure 14.

NOTE: Order the correct LP conversion kit from the furnace manufacturer. **See Conversion Kit Index shipped with unit for proper LP kit number. Furnace conversion to LP gas must be performed by a qualified technician.**

C. NOx MODELS

When converting units equipped with NOx inserts to LP gas, the stainless steel screen mesh inserts in the entrance of the tubular exchangers are not required to meet SCAQMD NOx emission levels. These inserts and 1/8" diameter retaining rod should be carefully removed before firing this furnace on LP gas. **IMPORTANT:** This furnace is not designed to operate on LP gas with the NOx inserts in place.

Step by step instructions on removing the NOx inserts and retaining rod are included in the Conversion Kit Installation Instructions.

TABLE 2
LP GAS PIPE CAPACITY TABLE (CU. FT./HR.)

Maximum capacity of pipe in thousands of BTU per hour of undiluted liquefied petroleum gases (at 11 inches water column inlet pressure).
(Based on a Pressure Drop of 0.5 Inch Water Column)

Nominal Iron Pipe Size, Inches	Length of Pipe, Feet											
	10	20	30	40	50	60	70	80	90	100	125	150
1/2	275	189	152	129	114	103	96	89	83	78	69	63
3/4	567	393	315	267	237	217	196	182	173	162	146	132
1	1,071	732	590	504	448	409	378	346	322	307	275	252
1-1/4	2,205	1,496	1,212	1,039	913	834	771	724	677	630	567	511
1-1/2	3,307	2,299	1,858	1,559	1,417	1,275	1,181	1,086	1,023	976	866	787
2	6,221	4,331	3,465	2,992	2,646	2,394	2,205	2,047	1,921	1,811	1,606	1,496

Example (LP): Input BTU requirement of unit, 150,000
Equivalent length of pipe, 60 ft. = 3/4" IPS required.

FIGURE 13



FIGURE 14



MANIFOLD PIPE

D. ADJUSTING OR CHECKING FURNACE INPUT

- Natural Gas Line Pressure 5" - 10.5" W.C.
- LP Gas Line Pressure 11" - 13" W.C.
- Natural Gas Manifold Pressure 3.5" W.C
- LP Gas Manifold Pressure - 10" W.C.

Supply and manifold pressure taps are located on the gas valve body 1/8" N.P.T. and on the manifold.

Use a properly calibrated manometer gauge for accurate gas pressure readings.

Only small variations in the gas flow should be made by means of the pressure regulator adjustment. Furnaces functioning on LP gas must be set by means of the tank or branch supply regulators. The furnace manifold pressure should be set at 10" W.C. at the gas control valve.

To adjust the pressure regulator, remove the regulator cap and turn the adjustment screw clockwise to increase pressure or counterclockwise to decrease pressure. **Then replace the regulator cap securely.**

Any necessary major changes in the gas flow rate should be made by changing the size of the burner orifices. To change orifice spuds, shut off the manual main gas valve and remove the gas manifold.

For elevations up to 2,000 feet, rating plate input ratings apply. For high altitudes (elevations over 2,000 ft.), see conversion kit index 92-21519-XX for derating and orifice spud sizes.

Check of input is important to prevent over-firing of the furnace beyond its design-rated input. NEVER SET INPUT ABOVE THAT SHOWN ON THE RATING PLATE. Use the following table or formula to determine input rate.

$$\text{Cu. Ft. Per Hr. Required} = \frac{\text{Heating Value of Gas (BTU/Cu. Ft.)} \times 3600}{\text{Time in Seconds (for 1 Cu. Ft.) of Gas}}$$

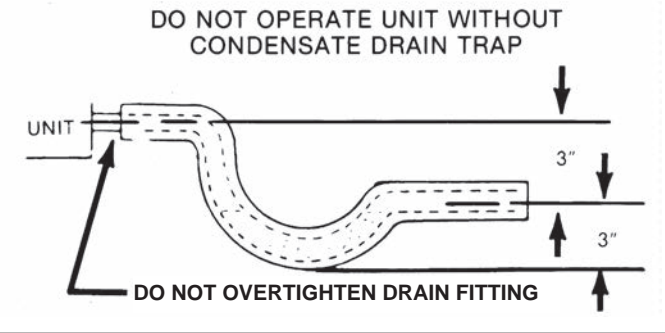
Start the furnace and measure the time required to burn one cubic foot of gas. Prior to checking the furnace input, make certain that all other gas appliances are shut off, with the exception of pilot burners. Time the meter with only the furnace in operation.

IMPORTANT NOTE FOR ALTITUDES ABOVE 2,000 FEET (610 METERS): The main burner orifices in your furnace and in these kits are sized for the nameplate input and intended for installations at elevations up to 2,000 feet in the USA or Canada, or for elevations of 2,000 - 4,500 feet (610 -1,373 meters) in Canada if the unit has been derated at the factory. For elevations above 2,000 feet (610 meters) **IN THE USA ONLY** (see ANSI-Z223.1), the burner orifices must be sized to reduce the input 4% for each 1,000 feet (305 meters) above sea level.

TABLE 3

METER TIME IN MINUTES AND SECONDS FOR NORMAL INPUT RATING OF FURNACES EQUIPPED FOR NATURAL OR LP GAS											
INPUT BTU/HR	METER SIZE CU. FT.	HEATING VALUE OF GAS BTU PER CU. FT.									
		900		1000		1040		1100		2500	
		MIN.	SEC.	MIN.	SEC.	MIN.	SEC.	MIN.	SEC.	MIN.	SEC.
40,000	ONE TEN	1 13	21 30	1 15	30 0	1 15	34 36	1 16	39 30	3 37	45 30
60,000	ONE TEN	0 9	54 0	1 10	0 0	1 10	3 24	1 11	6 0	2 25	30 0
80,000	ONE TEN	0 6	41 45	0 7	45 30	0 7	47 48	0 8	50 15	1 18	53 45
100,000	ONE TEN	0 5	33 24	0 6	36 0	0 6	38 15	0 6	40 36	1 15	30 0

**FIGURE 15
CONDENSATE DRAIN**



NOTICE: DERATING OF THE HEATING INPUT FOR HIGH ALTITUDE IN THE FIELD IS UNLAWFUL IN CANADA (REFER TO CAN/CGA 2.17). UNITS INSTALLED IN ALTITUDES GREATER THAN 2,000 FEET (610 METERS) MUST BE SHIPPED FROM THE FACTORY OR FROM A FACTORY AUTHORIZED CONVERSION STATION WITH THE HEATING INPUT DERATED BY 10% SO AS TO OPERATE PROPERLY IN ALTITUDES FROM 2,000 - 4,500 FEET (610 - 1,373 METERS).

E. CONDENSATE DRAIN

The condensate drain connection of the evaporator is threaded 3/4" nominal P.V.C. pipe. **IMPORTANT:** Install a condensate trap to ensure proper condensate drainage. See Figure 15.

IX. WIRING

A. POWER SUPPLY

⚠ WARNING

TURN OFF THE MAIN ELECTRICAL POWER AT THE BRANCH CIRCUIT DISCONNECT CLOSEST TO THE UNIT BEFORE ATTEMPTING ANY WIRING. FAILURE TO DO SO CAN CAUSE ELECTRICAL SHOCK RESULTING IN PERSONAL INJURY OR DEATH.

- 1. All wiring should be made in accordance with the National Electrical Code.** Consult the local power company to determine the availability of sufficient power to operate the unit. Check the voltage at power supply to make sure it corresponds to the unit's RATED VOLTAGE REQUIREMENT. Install a branch circuit disconnect near the rooftop, in accordance with the N.E.C., C.E.C. or local codes. A bracket is provided with the unit for mounting of the disconnect. See Figure 16.
- It is important that proper electrical power is available at the unit. Voltage should not vary more than 10% from that stamped on the unit nameplate. On three phase units, phases must be balanced within 3%.
- For branch circuit wiring (main power supply to unit disconnect), the minimum wire size for the length of run can be determined from Table 3 using the circuit ampacity found on the unit rating plate. Use the smallest wire size allowable in Table 4 from the unit disconnect to unit.

NOTE: A bracket is provided with the unit for mounting the branch circuit disconnect to the unit. This is the recommended location for the disconnect. See Figure 16.

- For through the base wiring entry reference **Figure 17**. All fittings and conduit are field supplied for this application. Reference the chart with **Figure 17** for proper hole and conduit size.

FIGURE 16
RECOMMENDED BRANCH CIRCUIT DISCONNECT LOCATION

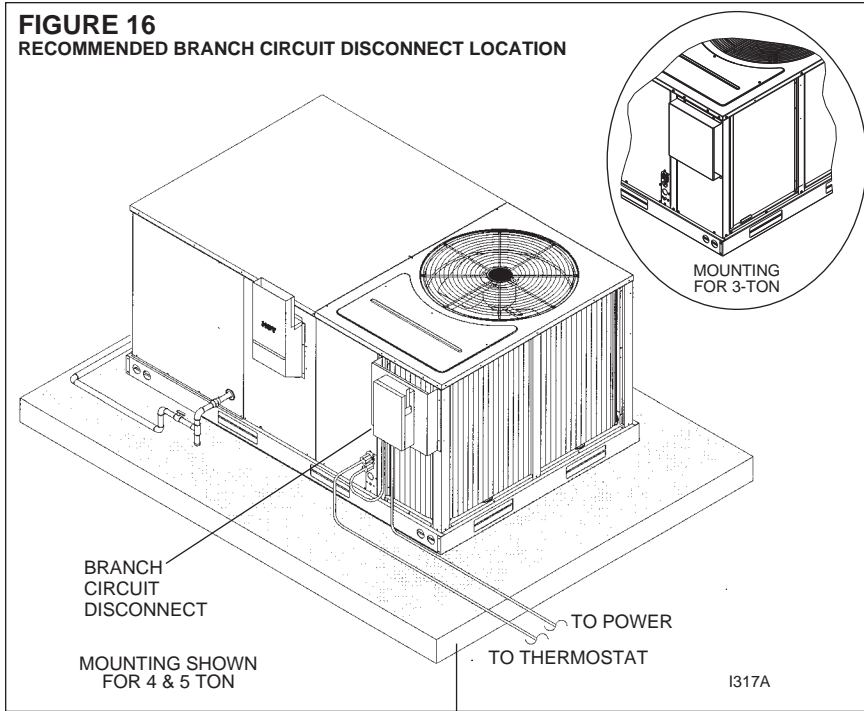


TABLE 4
BRANCH CIRCUIT COPPER WIRE SIZE
(Based on 1% Voltage Drop)*

200	6	4	4	4	3	3	2	2
150	8	6	6	4	4	4	3	3
100	10	8	8	6	6	6	4	4
50	14	12	10	10	8	8	6	6
	15	20	25	30	35	40	45	50

BRANCH CIRCUIT AMPACITY

**SUPPLY WIRE
LENGTH-FEET**

*Taken from National Electric Code

NOTES:

1. Wire size based on 60°C rated wire insulation and 30°C Ambient Temp. (86°F).
2. For more than 3 conductors in a raceway or cable, see the N.E.C. for derating the ampacity of each conductor.

When installed, the unit must be electrically grounded in accordance with local codes or, in the absence of local codes, with the National Electrical Code, **ANSI/NFPA 70**, if an external electrical source is utilized.

IMPORTANT: THIS UNIT IS APPROVED FOR USE WITH COPPER CONDUCTORS ONLY CONNECTED TO UNIT CONTACTOR.

WARRANTY MAY BE JEOPARDIZED IF ALUMINUM WIRE IS CONNECTED TO UNIT CONTACTOR.

Special instructions apply for power wiring with aluminum conductors: Warranty is void if connections are not made per instructions.

Attach a length (6" or more) of recommended size copper wire to the unit contactor terminals L1 and L3 for single phase, L1, L2 and L3 for three phase.

Select the equivalent aluminum wire size from the tabulation below:

Splice copper wire pigtailed to aluminum wire with U.L. recognized connectors for copper-aluminum splices. Please exercise the following instructions very carefully to obtain a positive and lasting connection:

1. Strip insulation from aluminum conductor.
2. Coat the stripped end of the aluminum wire with the recommended inhibitor, and wire brush the aluminum surface through inhibitor. INHIBITORS: Brundy-Pentex "A"; Alcoa-No. 2EJC; T & B-KPOR Shield.
3. Clean and recoat aluminum conductor with inhibitor.
4. Make the splice using the above listed wire nuts or split bolt connectors.
5. Coat the entire connection with inhibitor and wrap with electrical insulating tape.

TABLE 5

AWG Copper Wire Size	AWG Aluminum Wire Size	Connector Type and Size (or equivalent)
#12	#10	T & B Wire Nut PT2
#10	# 8	T & B Wire Nut PT3
# 8	# 6	Sherman Split Bolt TSP6
# 6	# 4	Sherman Split Bolt TSP4
# 4	# 2	Sherman Split Bolt TSP2

FIGURE 17

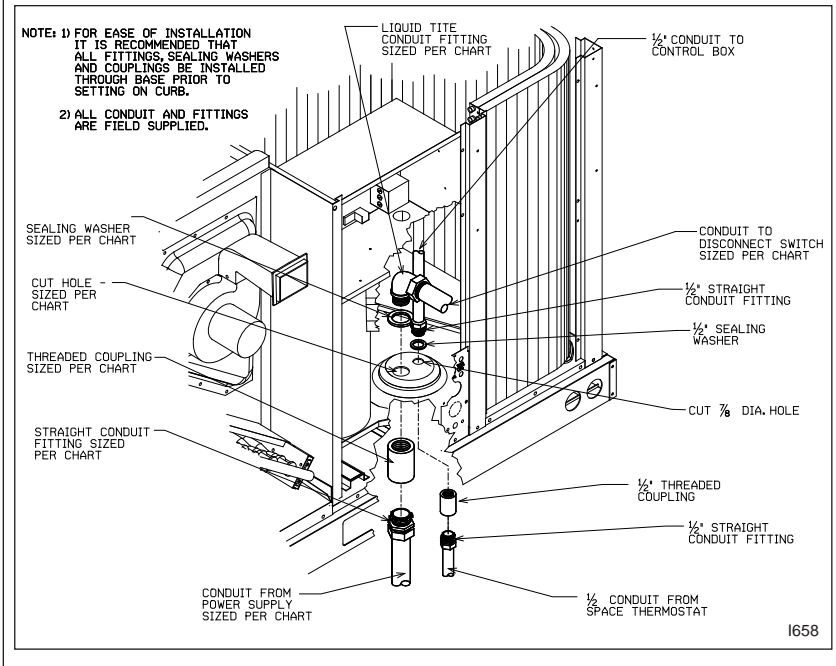
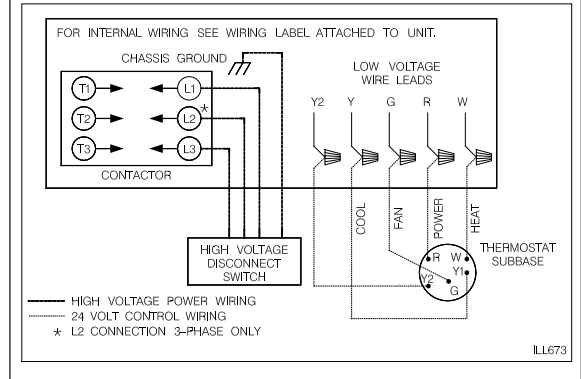


FIGURE 18
TYPICAL THERMOSTAT WIRING



	WIRE SIZE, AWG											
	14	12	10	8	6	4	3	2	1	0	00	000
CONDUIT SIZE	1/2"	1/2"	1/2"	3/4"	1"	1"	1-1/4"	1-1/4"	1-1/2"	1-1/2"	2"	2"
HOLE SIZE	7/8"	7/8"	7/8"	1-31/32"	1-23/64"	1-23/64"	1-23/32"	1-23/32"	1-31/32"	1-31/32"	2-15/32"	2-15/32"

- NOTES: 1. DETERMINE REQUIRED WIRE SIZE FROM MINIMUM CIRCUIT AMPACITY SHOWN IN INSTALLATION & OPERATING INSTRUCTION.
 2. BOTTOM POWER ENTRY WILL NOT ACCOMMODATE WIRE LARGER THAN #2 AWG (SHADED AREA).

B. HOOK-UP

To wire unit, refer to the following hook-up diagram.

Refer to Figures 3 and 17 for location of wiring entrances.

Wiring to be done in the field between the unit and devices not attached to the unit, or between separate devices which are field installed and located, shall conform with the temperature limitation for Type T wire [63°F rise (35°C)] when installed in accordance with the manufacturer's instructions.

C. INTERNAL WIRING

IMPORTANT: Some single phase units are equipped with a single pole contactor. Caution must be exercised when servicing as only one leg of the power supply is broken with the contactor.

Some models are equipped with electronically commutated blower motors which are constantly energized, unless the main unit disconnect is in the off position.

A diagram of the internal wiring of this unit is located under the electrical box cover and this manual. If any of the original wire as supplied with the appliance must be replaced, the wire gauge and insulation must be same as original wiring.

Transformer is factory wired for 230 volts on 208/230 volt models and must be changed for 208 volt applications. See unit wiring diagram for 208 volt wiring.

D. THERMOSTAT

The room thermostat must be compatible with the spark ignition control on the unit. Generally, all thermostats that are not of the "current robbing" type are compatible with the integrated furnace control. The low voltage wiring should be sized as shown in Table 6.

Install the room thermostat in accordance with the instruction sheet packed in the box with the thermostat. Run the thermostat lead wires inside the compressor access panel compartment and connect to low voltage terminals as shown on the wiring diagram. Never install the thermostat on an outside wall or where it will be influenced by drafts, concealed hot or cold water pipes or ducts, lighting fixtures, radiation from fireplace, sun

TABLE 6

FIELD WIRE SIZE FOR 24 VOLT THERMOSTAT CIRCUITS						
Thermostat Load - Amps	SOLID COPPER WIRE - AWG.					
	3.0	16	14	12	10	10
2.5	16	14	12	12	12	10
2.0	18	16	14	12	12	10
	50	100	150	200	250	300
	Length of Run – Feet (1)					

(1) The total wire length is the distance from the furnace to the thermostat and back to the furnace.

NOTE: DO NOT USE CONTROL WIRING SMALLER THAN NO. 18 AWG.

rays, lamps, televisions, radios or air streams from registers. Refer to instructions packed with the thermostat for “heater” selection or adjustment.

The following are the recommended thermostats available through the manufacturer to be used:

W/O Economizer	W/Economizer
(-)HC-TST101GESS	(-)HC-TST103UNMS
(-)HC-TST103UNMS	(-)HC-TST203UNMS
(-)HC-TST201GESS	(-)HC-TST302UNMS
(-)HC-TST203UNMS	(-)HC-TST303UNMS
(-)HC-TST301GESS	(-)HC-TST304UNMS
(-)HC-TST302UNMS	
(-)HC-TST303UNMS	
(-)HC-TST304UNMS	

X. FURNACE SECTION CONTROLS AND IGNITION SYSTEM

NORMAL FURNACE OPERATING SEQUENCE

This unit is equipped with an integrated direct spark ignition control.

1. The thermostat calls for heat.
2. The control board will run a self check to verify that the limit control and manual reset overtemperature control are closed and that the pressure switch is open.
3. Upon closure of the pressure switch, the control board energizes the induced draft blower for a 15 second prepurge.
4. After the 15 second prepurge, the gas valve opens and the spark is initiated for 7 second trial for ignition.
5. Burners ignite and flame sensor proves all burners have lit.
6. The circulating air blower is energized after 30 seconds.
7. The control board enters a normal operation loop in which all safety controls are monitored continuously.
8. Thermostat is satisfied and opens.
9. The gas valve is de-energized and closes, shutting down the burner flame.
10. The control board will de-energize the inducer after a five second post purge.
11. The circulating air blower is de-energized after 90 seconds.

The integrated control is a three ignition system.

After a total of three cycles without sensing main burner flame, the system goes into a 100% lockout mode. After one hour, the ignition control repeats the prepurge and ignition cycles for 3 tries and then go into 100% lockout mode again. It continues this sequence of cycles and lockout each hour until ignition is successful or power is interrupted. During the lockout mode, neither the ignitor or gas valve will be energized until the system is reset by turning the thermostat to the “OFF” position or interrupting the electrical power to the unit for 3 seconds or longer. The induced draft blower and main burner will shut off when the thermostat is satisfied.

The circulating air blower will start and run on the heating speed if the thermostat fan switch is in the “ON” position.

The integrated furnace control is equipped with diagnostic LED. The LED is lit continuously when there is power to the control, with or without a call for heat. If the LED is not lit, there

is either no power to the control or there is an internal component failure within the control, and the control should be replaced.

If the control detects the following failures, the LED will flash on for approximately 1/4 second, then off for 3/4 second for designated failure detections.

- 1 Flash: Failed to detect flame within the three tries for ignition.
- 2 Flash: Pressure switch or induced draft blower problem detected.
- 3 Flash: High limit or auxiliary limit open.
- 4 Flash: Flame sensed and gas valve not energized or flame sensed with no "W" signal.
- 5 Flash: Overtemperature switch open.

OPERATING INSTRUCTIONS

This appliance is equipped with integrated furnace control. This device lights the main burners each time the room thermostat (closes) calls for heat. See operating instructions on the back of the furnace/controls access panel.

WARNING

DO NOT ATTEMPT TO MANUALLY LIGHT THIS FURNACE WITH A MATCH OR ANY OPEN FLAME. ATTEMPTING TO DO SO CAN CAUSE AN EXPLOSION OR FIRE RESULTING IN PROPERTY DAMAGE, PERSONAL INJURY OR DEATH.

TO START THE FURNACE

1. STOP! Read the safety information on the Operating Instructions label located on this appliance.

WARNING

IF YOU DO NOT FOLLOW THESE INSTRUCTIONS EXACTLY, A FIRE OR EXPLOSION MAY RESULT CAUSING PROPERTY DAMAGE, PERSONAL INJURY OR LOSS OF LIFE.

2. Set the thermostat to its lowest setting.
3. Turn off all electric power to the appliance.
4. This appliance does not have a pilot. It is equipped with an ignition device which automatically lights the burner. Do NOT try to light the burner by hand.
5. Remove control door/access panel.
6. Move switch to the "OFF" position.
7. Wait five (5) minutes to clear out any gas. Then smell for gas, including near the floor. If you smell gas, STOP!
 - Do not try to light any appliance.
 - Do not touch any electric switch; do not use any phone in your building.
 - Immediately call your gas supplier from a neighbor's phone. Follow the gas supplier's instructions.
 - If you cannot reach your gas supplier, call the fire department.If you don't smell gas, go to the next step.
8. Move "OFF" position to "ON" position.
9. Replace the control door.
10. Turn on all electric power to the appliance.
11. Set the thermostat to the desired setting.
12. If the appliance will not operate, follow the instructions below on how to shut down the furnace.

WARNING

THE SPARK IGNITOR AND IGNITION LEAD FROM THE IGNITION CONTROL ARE HIGH VOLTAGE. KEEP HANDS OR TOOLS AWAY TO PREVENT ELECTRICAL SHOCK. SHUT OFF ELECTRICAL POWER BEFORE SERVICING ANY OF THE CONTROLS. FAILURE TO ADHERE TO THIS WARNING CAN RESULT IN PERSONAL INJURY OR DEATH.

The initial start-up on a new installation may require the control system to be energized for some time until air has bled through the system and fuel gas is available at the burners.

TO SHUT DOWN FURNACE

1. Set the thermostat to the lowest setting.
2. Turn off all electric power to the appliance if service is to be performed.
3. Remove control door.
4. Move switch to the "OFF" position.
5. Replace control door.

WARNING

SHOULD OVERHEATING OCCUR OR THE GAS SUPPLY FAIL TO SHUT OFF, SHUT OFF THE MANUAL GAS VALVE TO THE APPLIANCE BEFORE SHUTTING OFF THE ELECTRICAL SUPPLY. FAILURE TO DO SO CAN RESULT IN AN EXPLOSION OR FIRE CAUSING PROPERTY DAMAGE, SEVERE PERSONAL INJURY OR DEATH!

BURNERS

Burners for these units have been designed so that field adjustment is not required. Burners are tray-mounted and accessible for easy cleaning when required.

MANUAL RESET OVERTEMPERATURE CONTROL

Two manual reset overtemperature controls (one on 80,000 BTUH) are located on the burner shield. These devices sense blockage in the heat exchanger or insufficient combustion air. This shuts off the main burners if excessive temperatures occur in the burner compartment.

Operation of this control indicates an abnormal condition. Therefore, the unit should be examined by a qualified installer, service agency, or the gas supplier before being placed back into operation.

WARNING

DO NOT JUMPER THIS DEVICE! DO NOT reset the overtemperature control without taking corrective action to assure that an adequate supply of combustion air is maintained under all conditions of operation. Failure to do so can result in carbon monoxide poisoning or death. Replace this control only with the identical replacement part.

PRESSURE SWITCH

This furnace has a pressure switch for sensing a blocked exhaust or a failed induced draft blower. It is normally open and closes when the induced draft blower starts, indicating air flow through the combustion chamber.

LIMIT CONTROL

The supply air high temperature limit cut-off is set at the factory and cannot be adjusted. It is calibrated to prevent the air temperature leaving the furnace from exceeding the maximum outlet air temperature.

WARNING

DO NOT JUMPER THIS DEVICE! DOING SO CAN CAUSE A FIRE OR EXPLOSION RESULTING IN PROPERTY DAMAGE, PERSONAL INJURY OR DEATH.

IMPORTANT: Replace this control only with the identical replacement part.

XI. SYSTEM OPERATING INFORMATION

ADVISE THE CUSTOMER

1. Change the air filters regularly. The heating system operates better, more efficiently and more economically.
2. Arrange the furniture and drapes so that the supply air registers and the return air grilles are unobstructed.
3. Close doors and windows. This reduces the heating and cooling load on the system.
4. Avoid excessive use of exhaust fans.
5. Do not permit the heat generated by television, lamps or radios to influence the thermostat operation.
6. Except for the mounting platform, keep all combustible articles three feet from the unit and exhaust system.

7. **IMPORTANT:** Replace all blower doors and compartment cover after servicing the unit. Do not operate the unit without all panels and doors securely in place.
8. Do not allow snow or other debris to accumulate in the vicinity of the appliance.

FURNACE SECTION MAINTENANCE

The unit's furnace should operate for many years without excessive scale build-up in flue passageways; however, it is recommended that a qualified installer, service agency, or the gas supplier annually inspect the flue passageways, the exhaust system and the burners for continued safe operation, paying particular attention to deterioration from corrosion or other sources.

If during inspection the flue passageways and exhaust system are determined to require cleaning, the following procedures should be followed (**by a qualified installer, service agency, or gas supplier**):

1. Turn off the electrical power to the unit and set the thermostat to the lowest temperature.
2. Shut off the gas supply to the unit either at the meter or at manual valve in the supply piping.

WARNING

LABEL ALL WIRES PRIOR TO DISCONNECTION WHEN SERVICING CONTROLS. WIRING ERRORS CAN CAUSE IMPROPER AND DANGEROUS OPERATION RESULTING IN FIRE, ELECTRICAL SHOCK, PROPERTY DAMAGE, PERSONAL INJURY OR DEATH.

3. Remove the furnace controls access panel and the control box cover.
4. Disconnect the gas supply piping from the gas valve.
5. Disconnect the wiring to the induced draft blower motor, gas valve, flame sensor, and flame roll-out control, and ignitor cable. **Mark all wires disconnected for proper reconnection.**
6. Remove the screws (4) connecting the burner tray to the heat exchanger mounting panel.
7. Remove the burner tray and the manifold assembly from the unit.
8. Remove the screws (5) connecting the induced draft blower to the collector box and screws (18) connecting the collector box to the heat exchanger center panel. Remove the induced draft blower and the collector box from the unit.
9. Remove the screws (3) connecting the divider plate to the heat exchanger center panel.
10. Remove the turbulators from inside the heat exchangers by inserting the blade of a screwdriver under the locking tabs. Pop the tabs out of the expanded grooves of the heat exchanger. Slide the turbulators out of the heat exchangers.
11. Direct a water hose into the outlet of the heat exchanger top. Flush the inside of each heat exchanger tube with water. Blow out each tube with air to remove excessive moisture.
12. Reassemble (steps 1 through 10 in reverse order). **Be careful not to strip out the screw holes used to mount the collector box and inducer blower. Replace inducer blower gasket and collector box gasket with factory replacements if damaged.**

WARNING

HOLES IN THE EXHAUST TRANSITION OR HEAT EXCHANGER CAN CAUSE TOXIC FUMES TO ENTER THE HOME. THE EXHAUST TRANSITION OR HEAT EXCHANGER MUST BE REPLACED IF THEY HAVE HOLES OR CRACKS IN THEM. FAILURE TO DO SO CAN CAUSE CARBON MONOXIDE POISONING RESULTING IN PERSONAL INJURY OR DEATH.

The manufacturer recommends that a qualified installer, service agency or the gas supplier visually inspect the burner flames for the desired flame appearance at the beginning of the heating season and approximately midway in heating season.

The manufacturer also recommends that a qualified installer, service agency or the gas supplier clean the flame sensor with steel wool at the beginning of the heating season.

WARNING

DISCONNECT MAIN ELECTRICAL POWER TO THE UNIT BEFORE ATTEMPTING MAINTENANCE. FAILURE TO DO SO MAY RESULT IN ELECTRICAL SHOCK OR SEVERE PERSONAL INJURY OR DEATH.

LUBRICATION

IMPORTANT: DO NOT attempt to lubricate the bearings on the blower motor or the induced draft blower motor. Addition of lubricants can reduce the motor life and void the warranty.

The blower motor and induced draft blower motor are prelubricated by the manufacturer and do not require further attention.

A qualified installer, service agency or the gas supplier must periodically clean the motors to prevent the possibility of overheating due to an accumulation of dust and dirt on the windings or on the motor exterior. And, as suggested elsewhere in these instructions, the air filters should be kept clean because dirty filters can restrict air flow and the motor depends upon sufficient air flowing across and through it to prevent overheating.

COOLING SECTION MAINTENANCE

WARNING

DISCONNECT MAIN ELECTRICAL POWER TO THE UNIT BEFORE ATTEMPTING MAINTENANCE. FAILURE TO DO SO CAN CAUSE ELECTRICAL SHOCK RESULTING IN SEVERE PERSONAL INJURY OR DEATH.

It is recommended that at the beginning of each cooling season a qualified installer or service agency inspect and clean the cooling section of this unit. The following areas should be addressed: evaporator coil, condenser coil, condenser fan motor and venturi area.

To inspect the evaporator coil:

1. Remove the filter access panel and the blower/evaporator coil access panel. Remove the filters.

WARNING

LABEL ALL WIRES PRIOR TO DISCONNECTION WHEN SERVICING THE UNIT. WIRING ERRORS CAN CAUSE IMPROPER AND DANGEROUS OPERATION RESULTING IN FIRE, ELECTRICAL SHOCK, PROPERTY DAMAGE, SEVERE PERSONAL INJURY OR DEATH.

2. Shine a flashlight on the evaporator coil (both sides) and inspect for accumulation of lint, insulation, etc.
3. If coil requires cleaning, follow the steps shown below.

Cleaning Evaporator Coil

1. The coil should be cleaned when it is dry. If the coil is coated with dirt or lint, vacuum it with a soft brush attachment. Be careful not to bend the coil fins.
2. If the coil is coated with oil or grease, clean it with a mild detergent-and-water solution. Rinse the coil thoroughly with water. **IMPORTANT: Do not** use excessive water pressure. Excessive water pressure can bend the fins and tubing of the coil and lead to inadequate unit performance. Be careful not to splash water excessively into unit.
3. Inspect the drain pan and condensate drain at the same time the evaporator coil is checked. Clean the drain pan by flushing with water and removing any matters of obstructions which may be present.
4. Go to next section for cleaning the condenser coil.

Cleaning Condenser Coil, Condenser Fan, Circulation Air Blower and Venturi

1. Remove the compressor access panel. Disconnect the wires to the condenser fan motor in the control box (see wiring diagram). Remove the wires from the opening in the bottom of the control box.
2. Remove the screws securing the condenser top panel and remove the panel with condenser fan motor and grille attached.
3. The coil should be cleaned when it is dry. If the coil is coated with dirt or lint, vacuum it with a soft brush attachment. Be careful not to bend the coil fins.
4. If the coil is coated with oil or grease, clean it with a mild detergent-and-water solu-

tion. Rinse the coil thoroughly with water. **IMPORTANT: Do not** use excessive water pressure. Excessive water pressure can bend the fins and tubing of the coil and lead to inadequate unit performance. Be careful not to splash water excessively into unit.

5. The venturi should also be inspected for items of obstruction such as collections of grass, dirt or spider webs. Remove any that are present.
6. Inspect the circulating air blower wheel and motor for accumulation of lint, dirt or other obstruction and clean it necessary. Inspect the blower motor mounts and the blower housing for loose mounts or other damage. Repair or replace if necessary.

Re-assembly

1. Place the condenser top panel back on the unit and replace all screws.
2. Run the fan motor wires through the hole in the bottom of the control box. Reconnect fan motor wires per the wiring diagram attached to the back of the cover.
3. Replace the filter and blower/evaporator coil access panels.
4. Replace the control box cover and controls access panel.
5. Restore electrical power to the unit and check for proper operation, especially the condenser fan motor.

REPLACEMENT PARTS

Contact your local distributor for a complete parts list.

TROUBLESHOOTING

Refer to Troubleshooting Chart included in this manual.

WIRING DIAGRAMS

Refer to the appropriate wiring diagram included in this manual.

CHARGING

Refer to the appropriate charge chart included in this manual.

BLOWER MOTOR SPEED TAPS

After determining necessary CFM and speed tap data from the Airflow Performance Data, follow the steps below to change speeds.

1. Remove the blower access panel.
2. Reference Figure 19 for location of the speed tap block on the blower.
3. Remove the furnace control access panel.
4. Remove the control box cover. See Figure 20 for location of the integrated furnace control board.
5. Reference Figure 21 for the proper location of the red and black wires on the speed tap block and on the furnace integrated control board to obtain the speed tap you have chosen.
6. After adjusting the wires accordingly, attach the control box cover, furnace control access panel and the blower access panel to the unit.

SPEED TAP BLOCK

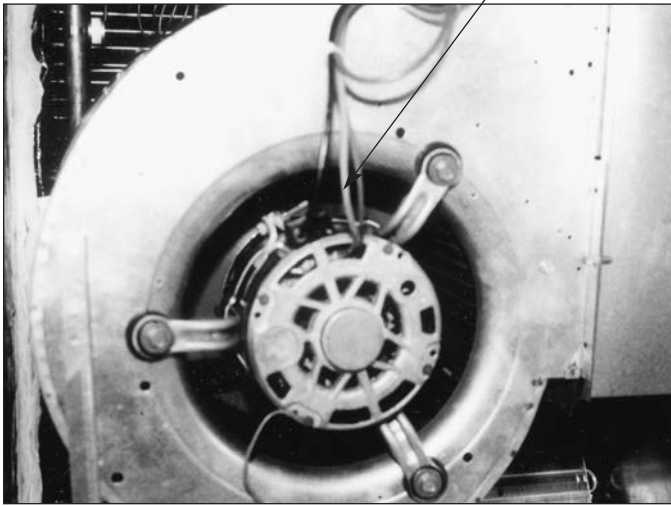
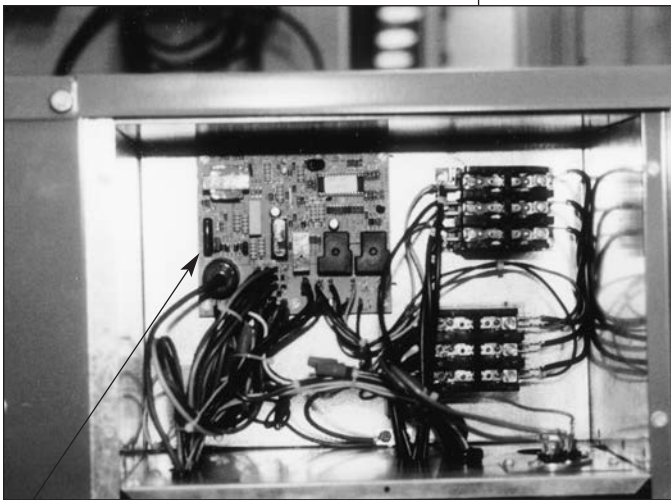


FIGURE 19

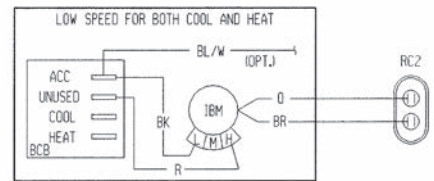


INTEGRATED FURNACE CONTROL

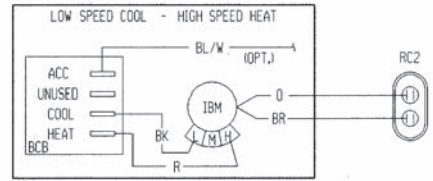
FIGURE 20

FIGURE 21

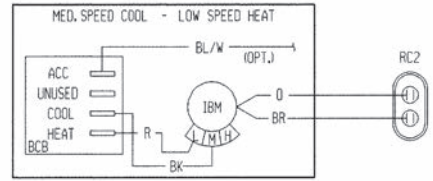
EXAMPLE 1



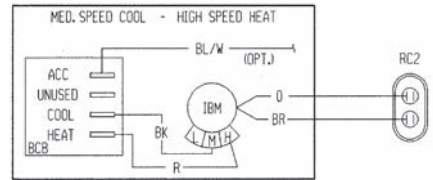
EXAMPLE 2



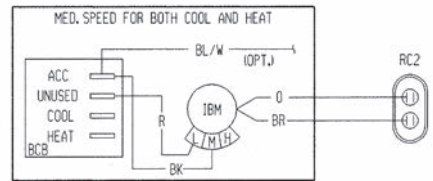
EXAMPLE 3



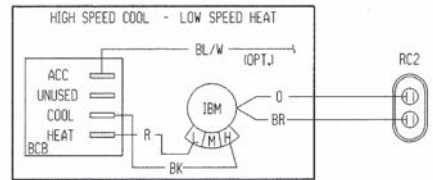
EXAMPLE 4



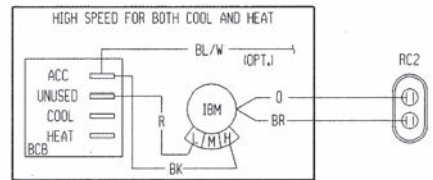
EXAMPLE 5



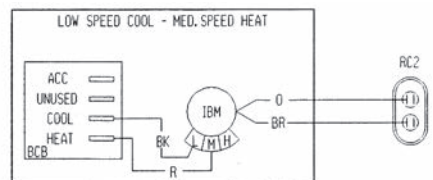
EXAMPLE 6



EXAMPLE 7



EXAMPLE 8



EXAMPLE 9

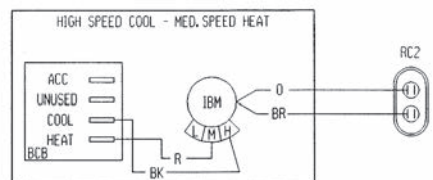
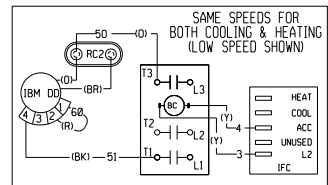
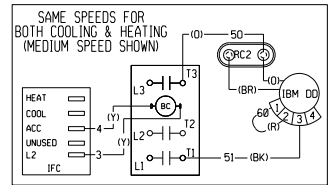


FIGURE 21 (Continued)

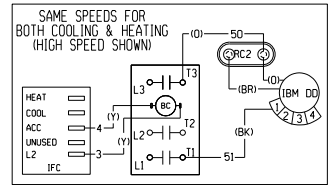
EXAMPLE 10



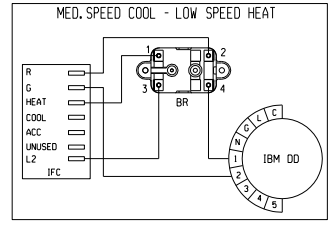
EXAMPLE 11



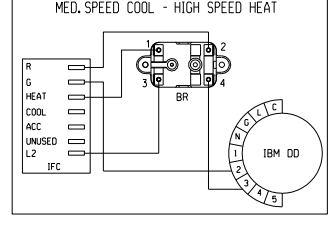
EXAMPLE 12



EXAMPLE 13



EXAMPLE 14



XII. GENERAL DATA - RKNN MODELS

NOMINAL SIZES 3-5 TONS [10.6-17.6 kW]

Model RKNN- Series	A036CK08	A036CK12	A036CL08	A036CL12
Cooling Performance ¹				Continued ->
Gross Cooling Capacity Btu [kW]	36,200 [10.61]	36,200 [10.61]	36,200 [10.61]	36,200 [10.61]
EER/SEER ²	11.5/13	11.5/13	11.5/13	11.5/13
Nominal CFM/AHRI Rated CFM [L/s]	1200/1250 [566/590]	1200/1250 [566/590]	1200/1250 [566/590]	1200/1250 [566/590]
AHRI Net Cooling Capacity Btu [kW]	34,600 [10.14]	34,600 [10.14]	34,600 [10.14]	34,600 [10.14]
Net Sensible Capacity Btu [kW]	25,300 [7.41]	25,300 [7.41]	25,300 [7.41]	25,300 [7.41]
Net Latent Capacity Btu [kW]	9,300 [2.72]	9,300 [2.72]	9,300 [2.72]	9,300 [2.72]
Net System Power kW	2.93	2.93	2.93	2.93
Heating Performance (Gas)⁴				
Heating Input Btu [kW]	80,000 [23.44]	120,000 [35.16]	80,000 [23.44]	120,000 [35.16]
Heating Output Btu [kW]	64,800 [18.99]	97,200 [28.48]	64,800 [18.99]	97,200 [28.48]
Temperature Rise Range °F [°C]	30-60 [16.7-33.3]	50-80 [27.8-44.4]	30-60 [16.7-33.3]	50-80 [27.8-44.4]
AFUE %	80	80	80	80
Steady State Efficiency (%)	81	81	81	81
No. Burners	4	6	4	6
No. Stages	1	1	1	1
Gas Connection Pipe Size in. [mm]	0.5 [12.7]	0.5 [12.7]	0.5 [12.7]	0.5 [12.7]
Compressor				
No./Type	1/Scroll	1/Scroll	1/Scroll	1/Scroll
Outdoor Sound Rating (dB)⁵				
	78	78	78	78
Outdoor Coil - Fin Type				
Tube Type	MicroChannel	MicroChannel	MicroChannel	MicroChannel
MicroChannel Depth in. [mm]	0.7 [18]	0.7 [18]	0.7 [18]	0.7 [18]
Face Area sq. ft. [sq. m]	13.9 [1.29]	13.9 [1.29]	13.9 [1.29]	13.9 [1.29]
Rows / FPI [FPcm]	1 / 23 [9]	1 / 23 [9]	1 / 23 [9]	1 / 23 [9]
Indoor Coil - Fin Type				
Tube Type	MicroChannel	MicroChannel	MicroChannel	MicroChannel
MicroChannel Depth in. [mm]	1 [25]	1 [25]	1 [25]	1 [25]
Face Area sq. ft. [sq. m]	4.8 [0.45]	4.8 [0.45]	4.8 [0.45]	4.8 [0.45]
Rows / FPI [FPcm]	1 / 20 [8]	1 / 20 [8]	1 / 20 [8]	1 / 20 [8]
Refrigerant Control	TX Valves	TX Valves	TX Valves	TX Valves
Drain Connection No./Size in. [mm]	1/0.75 [19.05]	1/0.75 [19.05]	1/0.75 [19.05]	1/0.75 [19.05]
Outdoor Fan - Type				
No. Used/Diameter in. [mm]	1/24 [609.6]	1/24 [609.6]	1/24 [609.6]	1/24 [609.6]
Drive Type/No. Speeds	Direct/1	Direct/1	Direct/1	Direct/1
CFM [L/s]	3680 [1737]	3680 [1737]	3680 [1737]	3680 [1737]
No. Motors/HP	1 at 1/3 HP	1 at 1/3 HP	1 at 1/3 HP	1 at 1/3 HP
Motor RPM	1075	1075	1075	1075
Indoor Fan - Type				
No. Used/Diameter in. [mm]	1/10x10 [254x254]	1/10x10 [254x254]	1/10x10 [254x254]	1/10x10 [254x254]
Drive Type	Direct	Direct	Belt (Adjustable)	Belt (Adjustable)
No. Speeds	Multiple	Multiple	Single	Single
No. Motors	1	1	1	1
Motor HP	1/2	1/2	1/2	1/2
Motor RPM	1075	1075	1725	1725
Motor Frame Size	48	48	48	48
Filter - Type				
Furnished	Yes	Yes	Yes	Yes
(NO.) Size Recommended in. [mm x mm x mm]	(1)1x16x25 [25x406x635]	(1)1x16x25 [25x406x635]	(1)1x16x25 [25x406x635]	(1)1x16x25 [25x406x635]
	(1)1x16x25 [25x406x635]	(1)1x16x25 [25x406x635]	(1)1x16x25 [25x406x635]	(1)1x16x25 [25x406x635]
Refrigerant Charge Oz. [g]	54 [1531]	54 [1531]	54 [1531]	54 [1531]
Weights				
Net Weight lbs. [kg]	507 [230]	517 [235]	525 [238]	517 [235]
Ship Weight lbs. [kg]	514 [233]	525 [238]	532 [241]	525 [238]

NOTES:

- Cooling Performance is rated at 95° F ambient, 80° F entering dry bulb, 67° F entering wet bulb. Gross capacity does not include the effect of fan motor heat. AHRI capacity is net and includes the effect of fan motor heat. Units are suitable for operation to ±20% of nominal cfm. Units are certified in accordance with the Unitary Air Conditioner Equipment certification program, which is based on AHRI Standard 210/240 or 360.
- EER and/or SEER are rated at AHRI conditions and in accordance with DOE test procedures.
- Heating Performance limit settings and rating data were established and approved under laboratory test conditions using American National Standard Institute standards. Ratings shown are for elevations up to 2000 feet. For elevations above 2000 feet, ratings should be reduced at the rate of 4% for each 1000 feet above sea level.
- Outdoor Sound Rating shown is tested in accordance with AHRI Standard 270.

GENERAL DATA - RKNN MODELS

NOMINAL SIZES 3-5 TONS [10.6-17.6 kW]

Model RKNN- Series	A036CM08	A036CM12	A036DK08	A036DK12
Cooling Performance ¹				Continued ->
Gross Cooling Capacity Btu [kW]	36,200 [10.61]	36,200 [10.61]	36,200 [10.61]	36,200 [10.61]
EER/SEER ²	11.5/13	11.5/13	11.5/13	11.5/13
Nominal CFM/AHRI Rated CFM [L/s]	1200/1250 [566/590]	1200/1250 [566/590]	1200/1250 [566/590]	1200/1250 [566/590]
AHRI Net Cooling Capacity Btu [kW]	34,600 [10.14]	34,600 [10.14]	34,600 [10.14]	34,600 [10.14]
Net Sensible Capacity Btu [kW]	25,300 [7.41]	25,300 [7.41]	25,300 [7.41]	25,300 [7.41]
Net Latent Capacity Btu [kW]	9,300 [2.72]	9,300 [2.72]	9,300 [2.72]	9,300 [2.72]
Net System Power kW	2.93	2.93	2.93	2.93
Heating Performance (Gas) ⁴				
Heating Input Btu [kW]	80,000 [23.44]	120,000 [35.16]	80,000 [23.44]	120,000 [35.16]
Heating Output Btu [kW]	64,800 [18.99]	97,200 [28.48]	64,800 [18.99]	97,200 [28.48]
Temperature Rise Range °F [°C]	30-60 [16.7-33.3]	50-80 [27.8-44.4]	30-60 [16.7-33.3]	50-80 [27.8-44.4]
AFUE %	80	80	80	80
Steady State Efficiency (%)	81	81	81	81
No. Burners	4	6	4	6
No. Stages	1	1	1	1
Gas Connection Pipe Size in. [mm]	0.5 [12.7]	0.5 [12.7]	0.5 [12.7]	0.5 [12.7]
Compressor				
No./Type	1/Scroll	1/Scroll	1/Scroll	1/Scroll
Outdoor Sound Rating (dB) ⁵				
	78	78	78	78
Outdoor Coil - Fin Type				
Tube Type	Louvered	Louvered	Louvered	Louvered
MicroChannel Depth in. [mm]	MicroChannel	MicroChannel	MicroChannel	MicroChannel
Face Area sq. ft. [sq. m]	0.7 [18]	0.7 [18]	0.7 [18]	0.7 [18]
Rows / FPI [FPcm]	13.9 [1.29]	13.9 [1.29]	13.9 [1.29]	13.9 [1.29]
	1 / 23 [9]	1 / 23 [9]	1 / 23 [9]	1 / 23 [9]
Indoor Coil - Fin Type				
Tube Type	Louvered	Louvered	Louvered	Louvered
MicroChannel Depth in. [mm]	MicroChannel	MicroChannel	MicroChannel	MicroChannel
Face Area sq. ft. [sq. m]	1 [25]	1 [25]	1 [25]	1 [25]
Rows / FPI [FPcm]	4.8 [0.45]	4.8 [0.45]	4.8 [0.45]	4.8 [0.45]
	1 / 20 [8]	1 / 20 [8]	1 / 20 [8]	1 / 20 [8]
Refrigerant Control	TX Valves	TX Valves	TX Valves	TX Valves
Drain Connection No./Size in. [mm]	1/0.75 [19.05]	1/0.75 [19.05]	1/0.75 [19.05]	1/0.75 [19.05]
Outdoor Fan - Type				
No. Used/Diameter in. [mm]	Propeller	Propeller	Propeller	Propeller
Drive Type/No. Speeds	1/24 [609.6]	1/24 [609.6]	1/24 [609.6]	1/24 [609.6]
CFM [L/s]	Direct/1	Direct/1	Direct/1	Direct/1
No. Motors/HP	3680 [1737]	3680 [1737]	3680 [1737]	3680 [1737]
Motor RPM	1 at 1/3 HP	1 at 1/3 HP	1 at 1/3 HP	1 at 1/3 HP
	1075	1075	1075	1075
Indoor Fan - Type				
No. Used/Diameter in. [mm]	FC Centrifugal	FC Centrifugal	FC Centrifugal	FC Centrifugal
Drive Type	1/10x10 [254x254]	1/10x10 [254x254]	1/10x10 [254x254]	1/10x10 [254x254]
No. Speeds	Belt (Adjustable)	Belt (Adjustable)	Direct	Direct
No. Motors	Single	Single	Multiple	Multiple
Motor HP	1	1	1	1
Motor RPM	1/2	1/2	1/2	1/2
Motor Frame Size	1725	1725	1075	1075
	48	48	48	48
Filter - Type				
Furnished	Disposable	Disposable	Disposable	Disposable
(NO.) Size Recommended in. [mm x mm x mm]	Yes	Yes	Yes	Yes
	(1)1x16x25 [25x406x635]	(1)1x16x25 [25x406x635]	(1)1x16x25 [25x406x635]	(1)1x16x25 [25x406x635]
	(1)1x16x25 [25x406x635]	(1)1x16x25 [25x406x635]	(1)1x16x25 [25x406x635]	(1)1x16x25 [25x406x635]
Refrigerant Charge Oz. [g]	54 [1531]	54 [1531]	54 [1531]	54 [1531]
Weights				
Net Weight lbs. [kg]	525 [238]	517 [235]	507 [230]	517 [235]
Ship Weight lbs. [kg]	532 [241]	525 [238]	514 [233]	525 [238]

NOTES:

- Cooling Performance is rated at 95° F ambient, 80° F entering dry bulb, 67° F entering wet bulb. Gross capacity does not include the effect of fan motor heat. AHRI capacity is net and includes the effect of fan motor heat. Units are suitable for operation to ±20% of nominal cfm. Units are certified in accordance with the Unitary Air Conditioner Equipment certification program, which is based on AHRI Standard 210/240 or 360.
- EER and/or SEER are rated at AHRI conditions and in accordance with DOE test procedures.
- Heating Performance limit settings and rating data were established and approved under laboratory test conditions using American National Standard Institute standards. Ratings shown are for elevations up to 2000 feet. For elevations above 2000 feet, ratings should be reduced at the rate of 4% for each 1000 feet above sea level.
- Outdoor Sound Rating shown is tested in accordance with AHRI Standard 270.

GENERAL DATA - RKNN MODELS

NOMINAL SIZES 3-5 TONS [10.6-17.6 kW]

Model RKNN- Series	A036DL08	A036DL12	A036DM08	A036DM12
Cooling Performance ¹				Continued ->
Gross Cooling Capacity Btu [kW]	36,200 [10.61]	36,200 [10.61]	36,200 [10.61]	36,200 [10.61]
EER/SEER ²	11.5/13	11.5/13	11.5/13	11.5/13
Nominal CFM/AHRI Rated CFM [L/s]	1200/1250 [566/590]	1200/1250 [566/590]	1200/1250 [566/590]	1200/1250 [566/590]
AHRI Net Cooling Capacity Btu [kW]	34,600 [10.14]	34,600 [10.14]	34,600 [10.14]	34,600 [10.14]
Net Sensible Capacity Btu [kW]	25,300 [7.41]	25,300 [7.41]	25,300 [7.41]	25,300 [7.41]
Net Latent Capacity Btu [kW]	9,300 [2.72]	9,300 [2.72]	9,300 [2.72]	9,300 [2.72]
Net System Power kW	2.93	2.93	2.93	2.93
Heating Performance (Gas) ⁴				
Heating Input Btu [kW]	80,000 [23.44]	120,000 [35.16]	80,000 [23.44]	120,000 [35.16]
Heating Output Btu [kW]	64,800 [18.99]	97,200 [28.48]	64,800 [18.99]	97,200 [28.48]
Temperature Rise Range °F [°C]	30-60 [16.7-33.3]	50-80 [27.8-44.4]	30-60 [16.7-33.3]	50-80 [27.8-44.4]
AFUE %	80	80	80	80
Steady State Efficiency (%)	81	81	81	81
No. Burners	4	6	4	6
No. Stages	1	1	1	1
Gas Connection Pipe Size in. [mm]	0.5 [12.7]	0.5 [12.7]	0.5 [12.7]	0.5 [12.7]
Compressor				
No./Type	1/Scroll	1/Scroll	1/Scroll	1/Scroll
Outdoor Sound Rating (dB) ⁵				
	78	78	78	78
Outdoor Coil - Fin Type				
Tube Type	Louvered	Louvered	Louvered	Louvered
MicroChannel Depth in. [mm]	MicroChannel	MicroChannel	MicroChannel	MicroChannel
Face Area sq. ft. [sq. m]	0.7 [18]	0.7 [18]	0.7 [18]	0.7 [18]
Rows / FPI [FPcm]	13.9 [1.29]	13.9 [1.29]	13.9 [1.29]	13.9 [1.29]
	1 / 23 [9]	1 / 23 [9]	1 / 23 [9]	1 / 23 [9]
Indoor Coil - Fin Type				
Tube Type	Louvered	Louvered	Louvered	Louvered
MicroChannel Depth in. [mm]	MicroChannel	MicroChannel	MicroChannel	MicroChannel
Face Area sq. ft. [sq. m]	1 [25]	1 [25]	1 [25]	1 [25]
Rows / FPI [FPcm]	4.8 [0.45]	4.8 [0.45]	4.8 [0.45]	4.8 [0.45]
	1 / 20 [8]	1 / 20 [8]	1 / 20 [8]	1 / 20 [8]
Refrigerant Control	TX Valves	TX Valves	TX Valves	TX Valves
Drain Connection No./Size in. [mm]	1/0.75 [19.05]	1/0.75 [19.05]	1/0.75 [19.05]	1/0.75 [19.05]
Outdoor Fan - Type				
No. Used/Diameter in. [mm]	Propeller	Propeller	Propeller	Propeller
Drive Type/No. Speeds	1/24 [609.6]	1/24 [609.6]	1/24 [609.6]	1/24 [609.6]
CFM [L/s]	Direct/1	Direct/1	Direct/1	Direct/1
No. Motors/HP	3680 [1737]	3680 [1737]	3680 [1737]	3680 [1737]
Motor RPM	1 at 1/3 HP	1 at 1/3 HP	1 at 1/3 HP	1 at 1/3 HP
	1075	1075	1075	1075
Indoor Fan - Type				
No. Used/Diameter in. [mm]	FC Centrifugal	FC Centrifugal	FC Centrifugal	FC Centrifugal
Drive Type	1/10x10 [254x254]	1/10x10 [254x254]	1/10x10 [254x254]	1/10x10 [254x254]
No. Speeds	Belt (Adjustable)	Belt (Adjustable)	Belt (Adjustable)	Belt (Adjustable)
No. Motors	Single	Single	Single	Single
Motor HP	1	1	1	1
Motor RPM	1/2	1/2	1/2	1/2
Motor Frame Size	1725	1725	1725	1725
	48	48	48	48
Filter - Type				
Furnished	Disposable	Disposable	Disposable	Disposable
(NO.) Size Recommended in. [mm x mm x mm]	Yes	Yes	Yes	Yes
	(1)1x16x25 [25x406x635]	(1)1x16x25 [25x406x635]	(1)1x16x25 [25x406x635]	(1)1x16x25 [25x406x635]
	(1)1x16x25 [25x406x635]	(1)1x16x25 [25x406x635]	(1)1x16x25 [25x406x635]	(1)1x16x25 [25x406x635]
Refrigerant Charge Oz. [g]	54 [1531]	54 [1531]	54 [1531]	54 [1531]
Weights				
Net Weight lbs. [kg]	525 [238]	517 [235]	525 [238]	517 [235]
Ship Weight lbs. [kg]	532 [241]	525 [238]	532 [241]	525 [238]

NOTES:

- Cooling Performance is rated at 95° F ambient, 80° F entering dry bulb, 67° F entering wet bulb. Gross capacity does not include the effect of fan motor heat. AHRI capacity is net and includes the effect of fan motor heat. Units are suitable for operation to ±20% of nominal cfm. Units are certified in accordance with the Unitary Air Conditioner Equipment certification program, which is based on AHRI Standard 210/240 or 360.
- EER and/or SEER are rated at AHRI conditions and in accordance with DOE test procedures.
- Heating Performance limit settings and rating data were established and approved under laboratory test conditions using American National Standard Institute standards. Ratings shown are for elevations up to 2000 feet. For elevations above 2000 feet, ratings should be reduced at the rate of 4% for each 1000 feet above sea level.
- Outdoor Sound Rating shown is tested in accordance with AHRI Standard 270.

GENERAL DATA - RKNN MODELS

NOMINAL SIZES 3-5 TONS [10.6-17.6 kW]

Model RKNN- Series	A036JK08	A036JK12	A036YL12	A036YM12
Cooling Performance ¹				Continued ->
Gross Cooling Capacity Btu [kW]	36,200 [10.61]	36,200 [10.61]	36,200 [10.61]	36,200 [10.61]
EER/SEER ²	11.5/13	11.5/13	11.5/13	11.5/13
Nominal CFM/AHRI Rated CFM [L/s]	1200/1250 [566/590]	1200/1250 [566/590]	1200/1250 [566/590]	1200/1250 [566/590]
AHRI Net Cooling Capacity Btu [kW]	34,600 [10.14]	34,600 [10.14]	34,600 [10.14]	34,600 [10.14]
Net Sensible Capacity Btu [kW]	25,300 [7.41]	25,300 [7.41]	25,300 [7.41]	25,300 [7.41]
Net Latent Capacity Btu [kW]	9,300 [2.72]	9,300 [2.72]	9,300 [2.72]	9,300 [2.72]
Net System Power kW	2.93	2.93	2.93	2.93
Heating Performance (Gas) ⁴				
Heating Input Btu [kW]	80,000 [23.44]	120,000 [35.16]	120,000 [35.16]	120,000 [35.16]
Heating Output Btu [kW]	64,000 [18.17]	96,000 [27.54]	97,200 [28.48]	97,200 [28.48]
Temperature Rise Range °F [°C]	30-60 [16.7-33.3]	50-80 [27.8-44.4]	50-80 [27.8-44.4]	50-80 [27.8-44.4]
AFUE %	80	80	80	80
Steady State Efficiency (%)	80	80	81	81
No. Burners	4	6	6	6
No. Stages	1	1	1	1
Gas Connection Pipe Size in. [mm]	0.5 [12.7]	0.5 [12.7]	0.5 [12.7]	0.5 [12.7]
Compressor				
No./Type	1/Scroll	1/Scroll	1/Scroll	1/Scroll
Outdoor Sound Rating (dB) ⁵				
	78	78	78	78
Outdoor Coil - Fin Type				
Tube Type	Louvered	Louvered	Louvered	Louvered
MicroChannel Depth in. [mm]	MicroChannel	MicroChannel	MicroChannel	MicroChannel
Face Area sq. ft. [sq. m]	0.7 [18]	0.7 [18]	0.7 [18]	0.7 [18]
Rows / FPI [FPcm]	13.9 [1.29]	13.9 [1.29]	13.9 [1.29]	13.9 [1.29]
	1 / 23 [9]	1 / 23 [9]	1 / 23 [9]	1 / 23 [9]
Indoor Coil - Fin Type				
Tube Type	Louvered	Louvered	Louvered	Louvered
MicroChannel Depth in. [mm]	MicroChannel	MicroChannel	MicroChannel	MicroChannel
Face Area sq. ft. [sq. m]	1 [25]	1 [25]	1 [25]	1 [25]
Rows / FPI [FPcm]	4.8 [0.45]	4.8 [0.45]	4.8 [0.45]	4.8 [0.45]
	1 / 20 [8]	1 / 20 [8]	1 / 20 [8]	1 / 20 [8]
Refrigerant Control	TX Valves	TX Valves	TX Valves	TX Valves
Drain Connection No./Size in. [mm]	1/0.75 [19.05]	1/0.75 [19.05]	1/0.75 [19.05]	1/0.75 [19.05]
Outdoor Fan - Type				
No. Used/Diameter in. [mm]	Propeller	Propeller	Propeller	Propeller
Drive Type/No. Speeds	1/24 [609.6]	1/24 [609.6]	1/24 [609.6]	1/24 [609.6]
CFM [L/s]	Direct/1	Direct/1	Direct/1	Direct/1
No. Motors/HP	3680 [1737]	3680 [1737]	3680 [1737]	3680 [1737]
Motor RPM	1 at 1/3 HP	1 at 1/3 HP	1 at 1/3 HP	1 at 1/3 HP
	1075	1075	1075	1075
Indoor Fan - Type				
No. Used/Diameter in. [mm]	FC Centrifugal	FC Centrifugal	FC Centrifugal	FC Centrifugal
Drive Type	1/10x10 [254x254]	1/10x10 [254x254]	1/10x10 [254x254]	1/10x10 [254x254]
No. Speeds	Direct	Direct	Belt (Adjustable)	Belt (Adjustable)
No. Motors	Multiple	Multiple	Single	Single
Motor HP	1	1	1	1
Motor RPM	1/2	1/2	3/4	3/4
Motor Frame Size	1075	1075	1725	1725
	48	48	56	56
Filter - Type				
Furnished	Disposable	Disposable	Disposable	Disposable
(NO.) Size Recommended in. [mm x mm x mm]	Yes	Yes	Yes	Yes
	(1)1x16x25 [25x406x635]	(1)1x16x25 [25x406x635]	(1)1x16x25 [25x406x635]	(1)1x16x25 [25x406x635]
	(1)1x16x25 [25x406x635]	(1)1x16x25 [25x406x635]	(1)1x16x25 [25x406x635]	(1)1x16x25 [25x406x635]
Refrigerant Charge Oz. [g]	54 [1531]	54 [1531]	54 [1531]	54 [1531]
Weights				
Net Weight lbs. [kg]	507 [230]	517 [235]	517 [235]	517 [235]
Ship Weight lbs. [kg]	514 [233]	525 [238]	525 [238]	525 [238]

NOTES:

- Cooling Performance is rated at 95° F ambient, 80° F entering dry bulb, 67° F entering wet bulb. Gross capacity does not include the effect of fan motor heat. AHRI capacity is net and includes the effect of fan motor heat. Units are suitable for operation to ±20% of nominal cfm. Units are certified in accordance with the Unitary Air Conditioner Equipment certification program, which is based on AHRI Standard 210/240 or 360.
- EER and/or SEER are rated at AHRI conditions and in accordance with DOE test procedures.
- Heating Performance limit settings and rating data were established and approved under laboratory test conditions using American National Standard Institute standards. Ratings shown are for elevations up to 2000 feet. For elevations above 2000 feet, ratings should be reduced at the rate of 4% for each 1000 feet above sea level.
- Outdoor Sound Rating shown is tested in accordance with AHRI Standard 270.

GENERAL DATA - RKNN MODELS

NOMINAL SIZES 3-5 TONS [10.6-17.6 kW]

Model RKNN- Series	A048CK08	A048CK10	A048CK13	A048CL08
Cooling Performance ¹				Continued ->
Gross Cooling Capacity Btu [kW]	48,000 [14.06]	48,000 [14.06]	48,000 [14.06]	48,000 [14.06]
EER/SEER ²	11.5/13	11.5/13	11.5/13	11.5/13
Nominal CFM/AHRI Rated CFM [L/s]	1600/1500 [755/708]	1600/1500 [755/708]	1600/1500 [755/708]	1600/1500 [755/708]
AHRI Net Cooling Capacity Btu [kW]	46,000 [13.48]	46,000 [13.48]	46,000 [13.48]	46,000 [13.48]
Net Sensible Capacity Btu [kW]	34,000 [9.96]	34,000 [9.96]	34,000 [9.96]	34,000 [9.96]
Net Latent Capacity Btu [kW]	12,000 [3.52]	12,000 [3.52]	12,000 [3.52]	12,000 [3.52]
Net System Power kW	3.93	3.93	3.93	3.93
<hr/>				
Heating Performance (Gas) ⁴				
Heating Input Btu [kW]	80,000 [23.44]	100,000 [29.3]	135,000 [39.55]	80,000 [23.44]
Heating Output Btu [kW]	64,800 [18.99]	81,000 [23.73]	109,400 [32.05]	64,800 [18.99]
Temperature Rise Range °F [°C]	30-60 [16.7-33.3]	40-70 [22.2-38.9]	50-80 [27.8-44.4]	30-60 [16.7-33.3]
AFUE %	80	80	80	80
Steady State Efficiency (%)	81	81	81	81
No. Burners	4	5	6	4
No. Stages	1	1	1	1
Gas Connection Pipe Size in. [mm]	0.5 [12.7]	0.5 [12.7]	0.5 [12.7]	0.5 [12.7]
<hr/>				
Compressor				
No./Type	1/Scroll	1/Scroll	1/Scroll	1/Scroll
<hr/>				
Outdoor Sound Rating (dB) ⁵	78	78	78	78
<hr/>				
Outdoor Coil - Fin Type				
Tube Type	MicroChannel	MicroChannel	MicroChannel	MicroChannel
MicroChannel Depth in. [mm]	0.7 [18]	0.7 [18]	0.7 [18]	0.7 [18]
Face Area sq. ft. [sq. m]	16.4 [1.52]	16.4 [1.52]	16.4 [1.52]	16.4 [1.52]
Rows / FPI [FPcm]	1 / 23 [9]	1 / 23 [9]	1 / 23 [9]	1 / 23 [9]
<hr/>				
Indoor Coil - Fin Type				
Tube Type	MicroChannel	MicroChannel	MicroChannel	MicroChannel
MicroChannel Depth in. [mm]	1.3 [32]	1.3 [32]	1.3 [32]	1.3 [32]
Face Area sq. ft. [sq. m]	4.8 [0.45]	4.8 [0.45]	4.8 [0.45]	4.8 [0.45]
Rows / FPI [FPcm]	1 / 20 [8]	1 / 20 [8]	1 / 20 [8]	1 / 20 [8]
Refrigerant Control	TX Valves	TX Valves	TX Valves	TX Valves
Drain Connection No./Size in. [mm]	1/0.75 [19.05]	1/0.75 [19.05]	1/0.75 [19.05]	1/0.75 [19.05]
<hr/>				
Outdoor Fan - Type				
No. Used/Diameter in. [mm]	1/24 [609.6]	1/24 [609.6]	1/24 [609.6]	1/24 [609.6]
Drive Type/No. Speeds	Direct/1	Direct/1	Direct/1	Direct/1
CFM [L/s]	3680 [1737]	3680 [1737]	3680 [1737]	3680 [1737]
No. Motors/HP	1 at 1/3 HP	1 at 1/3 HP	1 at 1/3 HP	1 at 1/3 HP
Motor RPM	1075	1075	1075	1075
<hr/>				
Indoor Fan - Type				
No. Used/Diameter in. [mm]	1/10x10 [254x254]	1/10x10 [254x254]	1/10x10 [254x254]	1/10x10 [254x254]
Drive Type	Direct	Direct	Direct	Belt (Adjustable)
No. Speeds	Multiple	Multiple	Multiple	Single
No. Motors	1	1	1	1
Motor HP	1/2	1/2	1/2	1/2
Motor RPM	1075	1075	1075	1725
Motor Frame Size	48	48	48	48
<hr/>				
Filter - Type				
Furnished	Yes	Yes	Yes	Yes
(NO.) Size Recommended in. [mm x mm x mm]	(1)1x16x25 [25x406x635]	(1)1x16x25 [25x406x635]	(1)1x16x25 [25x406x635]	(1)1x16x25 [25x406x635]
<hr/>				
Refrigerant Charge Oz. [g]	68 [1928]	68 [1928]	68 [1928]	68 [1928]
<hr/>				
Weights				
Net Weight lbs. [kg]	531 [241]	536 [243]	541 [245]	549 [249]
Ship Weight lbs. [kg]	538 [244]	543 [246]	548 [249]	556 [252]

NOTES:

- Cooling Performance is rated at 95° F ambient, 80° F entering dry bulb, 67° F entering wet bulb. Gross capacity does not include the effect of fan motor heat. AHRI capacity is net and includes the effect of fan motor heat. Units are suitable for operation to ±20% of nominal cfm. Units are certified in accordance with the Unitary Air Conditioner Equipment certification program, which is based on AHRI Standard 210/240 or 360.
- EER and/or SEER are rated at AHRI conditions and in accordance with DOE test procedures.
- Heating Performance limit settings and rating data were established and approved under laboratory test conditions using American National Standard Institute standards. Ratings shown are for elevations up to 2000 feet. For elevations above 2000 feet, ratings should be reduced at the rate of 4% for each 1000 feet above sea level.
- Outdoor Sound Rating shown is tested in accordance with AHRI Standard 270.

GENERAL DATA - RKNN MODELS

NOMINAL SIZES 3-5 TONS [10.6-17.6 kW]

Model RKNN- Series	A048CL10	A048CL13	A048CM08	A048CM10
Cooling Performance ¹				Continued ->
Gross Cooling Capacity Btu [kW]	48,000 [14.06]	48,000 [14.06]	48,000 [14.06]	48,000 [14.06]
EER/SEER ²	11.5/13	11.5/13	11.5/13	11.5/13
Nominal CFM/AHRI Rated CFM [L/s]	1600/1500 [755/708]	1600/1500 [755/708]	1600/1500 [755/708]	1600/1500 [755/708]
AHRI Net Cooling Capacity Btu [kW]	46,000 [13.48]	46,000 [13.48]	46,000 [13.48]	46,000 [13.48]
Net Sensible Capacity Btu [kW]	34,000 [9.96]	34,000 [9.96]	34,000 [9.96]	34,000 [9.96]
Net Latent Capacity Btu [kW]	12,000 [3.52]	12,000 [3.52]	12,000 [3.52]	12,000 [3.52]
Net System Power kW	3.93	3.93	3.93	3.93
Heating Performance (Gas) ⁴				
Heating Input Btu [kW]	100,000 [29.3]	135,000 [39.55]	80,000 [23.44]	100,000 [29.3]
Heating Output Btu [kW]	81,000 [23.73]	109,400 [32.05]	64,800 [18.99]	81,000 [23.73]
Temperature Rise Range °F [°C]	40-70 [22.2-38.9]	50-80 [27.8-44.4]	30-60 [16.7-33.3]	40-70 [22.2-38.9]
AFUE %	80	80	80	80
Steady State Efficiency (%)	81	81	81	81
No. Burners	5	6	4	5
No. Stages	1	1	1	1
Gas Connection Pipe Size in. [mm]	0.5 [12.7]	0.5 [12.7]	0.5 [12.7]	0.5 [12.7]
Compressor				
No./Type	1/Scroll	1/Scroll	1/Scroll	1/Scroll
Outdoor Sound Rating (dB) ⁵				
	78	78	78	78
Outdoor Coil - Fin Type				
Tube Type	Louvered	Louvered	Louvered	Louvered
MicroChannel Depth in. [mm]	MicroChannel	MicroChannel	MicroChannel	MicroChannel
Face Area sq. ft. [sq. m]	0.7 [18]	0.7 [18]	0.7 [18]	0.7 [18]
Rows / FPI [FPcm]	16.4 [1.52]	16.4 [1.52]	16.4 [1.52]	16.4 [1.52]
	1 / 23 [9]	1 / 23 [9]	1 / 23 [9]	1 / 23 [9]
Indoor Coil - Fin Type				
Tube Type	Louvered	Louvered	Louvered	Louvered
MicroChannel Depth in. [mm]	MicroChannel	MicroChannel	MicroChannel	MicroChannel
Face Area sq. ft. [sq. m]	1.3 [32]	1.3 [32]	1.3 [32]	1.3 [32]
Rows / FPI [FPcm]	4.8 [0.45]	4.8 [0.45]	4.8 [0.45]	4.8 [0.45]
	1 / 20 [8]	1 / 20 [8]	1 / 20 [8]	1 / 20 [8]
Refrigerant Control	TX Valves	TX Valves	TX Valves	TX Valves
Drain Connection No./Size in. [mm]	1/0.75 [19.05]	1/0.75 [19.05]	1/0.75 [19.05]	1/0.75 [19.05]
Outdoor Fan - Type				
No. Used/Diameter in. [mm]	Propeller	Propeller	Propeller	Propeller
Drive Type/No. Speeds	1/24 [609.6]	1/24 [609.6]	1/24 [609.6]	1/24 [609.6]
CFM [L/s]	Direct/1	Direct/1	Direct/1	Direct/1
No. Motors/HP	3680 [1737]	3680 [1737]	3680 [1737]	3680 [1737]
Motor RPM	1 at 1/3 HP	1 at 1/3 HP	1 at 1/3 HP	1 at 1/3 HP
	1075	1075	1075	1075
Indoor Fan - Type				
No. Used/Diameter in. [mm]	FC Centrifugal	FC Centrifugal	FC Centrifugal	FC Centrifugal
Drive Type	1/10x10 [254x254]	1/10x10 [254x254]	1/10x10 [254x254]	1/10x10 [254x254]
No. Speeds	Belt (Adjustable)	Belt (Adjustable)	Belt (Adjustable)	Belt (Adjustable)
No. Motors	Single	Single	Single	Single
Motor HP	1	1	1	1
Motor RPM	1/2	1/2	3/4	3/4
Motor Frame Size	1725	1725	1725	1725
	48	48	56	56
Filter - Type				
Furnished	Disposable	Disposable	Disposable	Disposable
(NO.) Size Recommended in. [mm x mm x mm]	Yes	Yes	Yes	Yes
	(1)1x16x25 [25x406x635]	(1)1x16x25 [25x406x635]	(1)1x16x25 [25x406x635]	(1)1x16x25 [25x406x635]
	(1)1x16x25 [25x406x635]	(1)1x16x25 [25x406x635]	(1)1x16x25 [25x406x635]	(1)1x16x25 [25x406x635]
Refrigerant Charge Oz. [g]	68 [1928]	68 [1928]	68 [1928]	68 [1928]
Weights				
Net Weight lbs. [kg]	554 [251]	559 [254]	550 [249]	555 [252]
Ship Weight lbs. [kg]	561 [254]	566 [257]	557 [253]	562 [255]

NOTES:

- Cooling Performance is rated at 95° F ambient, 80° F entering dry bulb, 67° F entering wet bulb. Gross capacity does not include the effect of fan motor heat. AHRI capacity is net and includes the effect of fan motor heat. Units are suitable for operation to ±20% of nominal cfm. Units are certified in accordance with the Unitary Air Conditioner Equipment certification program, which is based on AHRI Standard 210/240 or 360.
- EER and/or SEER are rated at AHRI conditions and in accordance with DOE test procedures.
- Heating Performance limit settings and rating data were established and approved under laboratory test conditions using American National Standard Institute standards. Ratings shown are for elevations up to 2000 feet. For elevations above 2000 feet, ratings should be reduced at the rate of 4% for each 1000 feet above sea level.
- Outdoor Sound Rating shown is tested in accordance with AHRI Standard 270.

GENERAL DATA - RKNN MODELS

NOMINAL SIZES 3-5 TONS [10.6-17.6 kW]

Model RKNN- Series	A048CM13	A048DK08	A048DK10	A048DK13
Cooling Performance ¹				Continued ->
Gross Cooling Capacity Btu [kW]	48,000 [14.06]	48,000 [14.06]	48,000 [14.06]	48,000 [14.06]
EER/SEER ²	11.5/13	11.5/13	11.5/13	11.5/13
Nominal CFM/AHRI Rated CFM [L/s]	1600/1500 [755/708]	1600/1500 [755/708]	1600/1500 [755/708]	1600/1500 [755/708]
AHRI Net Cooling Capacity Btu [kW]	46,000 [13.48]	46,000 [13.48]	46,000 [13.48]	46,000 [13.48]
Net Sensible Capacity Btu [kW]	34,000 [9.96]	34,000 [9.96]	34,000 [9.96]	34,000 [9.96]
Net Latent Capacity Btu [kW]	12,000 [3.52]	12,000 [3.52]	12,000 [3.52]	12,000 [3.52]
Net System Power kW	3.93	3.93	3.93	3.93
Heating Performance (Gas)⁴				
Heating Input Btu [kW]	135,000 [39.55]	80,000 [23.44]	100,000 [29.3]	135,000 [39.55]
Heating Output Btu [kW]	109,350 [32.04]	64,800 [18.99]	81,000 [23.73]	109,400 [32.05]
Temperature Rise Range °F [°C]	50-80 [27.8-44.4]	30-60 [16.7-33.3]	40-70 [22.2-38.9]	50-80 [27.8-44.4]
AFUE %	80	80	80	80
Steady State Efficiency (%)	81	81	81	81
No. Burners	6	4	5	6
No. Stages	1	1	1	1
Gas Connection Pipe Size in. [mm]	0.5 [12.7]	0.5 [12.7]	0.5 [12.7]	0.5 [12.7]
Compressor				
No./Type	1/Scroll	1/Scroll	1/Scroll	1/Scroll
Outdoor Sound Rating (dB)⁵				
	78	78	78	78
Outdoor Coil - Fin Type				
Tube Type	Louvered	Louvered	Louvered	Louvered
MicroChannel Depth in. [mm]	MicroChannel	MicroChannel	MicroChannel	MicroChannel
Face Area sq. ft. [sq. m]	0.7 [18]	0.7 [18]	0.7 [18]	0.7 [18]
Rows / FPI [FPcm]	16.4 [1.52]	16.4 [1.52]	16.4 [1.52]	16.4 [1.52]
	1 / 23 [9]	1 / 23 [9]	1 / 23 [9]	1 / 23 [9]
Indoor Coil - Fin Type				
Tube Type	Louvered	Louvered	Louvered	Louvered
MicroChannel Depth in. [mm]	MicroChannel	MicroChannel	MicroChannel	MicroChannel
Face Area sq. ft. [sq. m]	1.3 [32]	1.3 [32]	1.3 [32]	1.3 [32]
Rows / FPI [FPcm]	4.8 [0.45]	4.8 [0.45]	4.8 [0.45]	4.8 [0.45]
	1 / 20 [8]	1 / 20 [8]	1 / 20 [8]	1 / 20 [8]
Refrigerant Control	TX Valves	TX Valves	TX Valves	TX Valves
Drain Connection No./Size in. [mm]	1/0.75 [19.05]	1/0.75 [19.05]	1/0.75 [19.05]	1/0.75 [19.05]
Outdoor Fan - Type				
No. Used/Diameter in. [mm]	Propeller	Propeller	Propeller	Propeller
Drive Type/No. Speeds	1/24 [609.6]	1/24 [609.6]	1/24 [609.6]	1/24 [609.6]
CFM [L/s]	Direct/1	Direct/1	Direct/1	Direct/1
No. Motors/HP	3680 [1737]	3680 [1737]	3680 [1737]	3680 [1737]
Motor RPM	1 at 1/3 HP	1 at 1/3 HP	1 at 1/3 HP	1 at 1/3 HP
	1075	1075	1075	1075
Indoor Fan - Type				
No. Used/Diameter in. [mm]	FC Centrifugal	FC Centrifugal	FC Centrifugal	FC Centrifugal
Drive Type	1/10x10 [254x254]	1/10x10 [254x254]	1/10x10 [254x254]	1/10x10 [254x254]
No. Speeds	Belt (Adjustable)	Direct	Direct	Direct
No. Motors	Single	Multiple	Multiple	Multiple
Motor HP	1	1	1	1
Motor RPM	3/4	1/2	1/2	1/2
Motor Frame Size	1725	1075	1075	1075
	56	48	48	48
Filter - Type				
Furnished	Disposable	Disposable	Disposable	Disposable
(NO.) Size Recommended in. [mm x mm x mm]	Yes	Yes	Yes	Yes
	(1)1x16x25 [25x406x635]	(1)1x16x25 [25x406x635]	(1)1x16x25 [25x406x635]	(1)1x16x25 [25x406x635]
	(1)1x16x25 [25x406x635]	(1)1x16x25 [25x406x635]	(1)1x16x25 [25x406x635]	(1)1x16x25 [25x406x635]
Refrigerant Charge Oz. [g]	165 [4678]	68 [1928]	68 [1928]	68 [1928]
Weights				
Net Weight lbs. [kg]	560 [254]	531 [241]	536 [243]	541 [245]
Ship Weight lbs. [kg]	567 [257]	538 [244]	543 [246]	548 [249]

NOTES:

- Cooling Performance is rated at 95° F ambient, 80° F entering dry bulb, 67° F entering wet bulb. Gross capacity does not include the effect of fan motor heat. AHRI capacity is net and includes the effect of fan motor heat. Units are suitable for operation to ±20% of nominal cfm. Units are certified in accordance with the Unitary Air Conditioner Equipment certification program, which is based on AHRI Standard 210/240 or 360.
- EER and/or SEER are rated at AHRI conditions and in accordance with DOE test procedures.
- Heating Performance limit settings and rating data were established and approved under laboratory test conditions using American National Standard Institute standards. Ratings shown are for elevations up to 2000 feet. For elevations above 2000 feet, ratings should be reduced at the rate of 4% for each 1000 feet above sea level.
- Outdoor Sound Rating shown is tested in accordance with AHRI Standard 270.

GENERAL DATA - RKNN MODELS

NOMINAL SIZES 3-5 TONS [10.6-17.6 kW]

Model RKNN- Series	A048DL08	A048DL10	A048DL13	A048DM08
Cooling Performance ¹				Continued ->
Gross Cooling Capacity Btu [kW]	48,000 [14.06]	48,000 [14.06]	48,000 [14.06]	48,000 [14.06]
EER/SEER ²	11.5/13	11.5/13	11.5/13	11.5/13
Nominal CFM/AHRI Rated CFM [L/s]	1600/1500 [755/708]	1600/1500 [755/708]	1600/1500 [755/708]	1600/1500 [755/708]
AHRI Net Cooling Capacity Btu [kW]	46,000 [13.48]	46,000 [13.48]	46,000 [13.48]	46,000 [13.48]
Net Sensible Capacity Btu [kW]	34,000 [9.96]	34,000 [9.96]	34,000 [9.96]	34,000 [9.96]
Net Latent Capacity Btu [kW]	12,000 [3.52]	12,000 [3.52]	12,000 [3.52]	12,000 [3.52]
Net System Power kW	3.93	3.93	3.93	3.93
Heating Performance (Gas) ⁴				
Heating Input Btu [kW]	80,000 [23.44]	100,000 [29.3]	135,000 [39.55]	80,000 [23.44]
Heating Output Btu [kW]	64,800 [18.99]	81,000 [23.73]	109,400 [32.05]	64,800 [18.99]
Temperature Rise Range °F [°C]	30-60 [16.7-33.3]	40-70 [22.2-38.9]	50-80 [27.8-44.4]	30-60 [16.7-33.3]
AFUE %	80	80	80	80
Steady State Efficiency (%)	81	81	81	81
No. Burners	4	5	6	4
No. Stages	1	1	1	1
Gas Connection Pipe Size in. [mm]	0.5 [12.7]	0.5 [12.7]	0.5 [12.7]	0.5 [12.7]
Compressor				
No./Type	1/Scroll	1/Scroll	1/Scroll	1/Scroll
Outdoor Sound Rating (dB) ⁵				
	78	78	78	78
Outdoor Coil - Fin Type				
Tube Type	Louvered	Louvered	Louvered	Louvered
MicroChannel Depth in. [mm]	MicroChannel	MicroChannel	MicroChannel	MicroChannel
Face Area sq. ft. [sq. m]	0.7 [18]	0.7 [18]	0.7 [18]	0.7 [18]
Rows / FPI [FPcm]	16.4 [1.52]	16.4 [1.52]	16.4 [1.52]	16.4 [1.52]
	1 / 23 [9]	1 / 23 [9]	1 / 23 [9]	1 / 23 [9]
Indoor Coil - Fin Type				
Tube Type	Louvered	Louvered	Louvered	Louvered
MicroChannel Depth in. [mm]	MicroChannel	MicroChannel	MicroChannel	MicroChannel
Face Area sq. ft. [sq. m]	1.3 [32]	1.3 [32]	1.3 [32]	1.3 [32]
Rows / FPI [FPcm]	4.8 [0.45]	4.8 [0.45]	4.8 [0.45]	4.8 [0.45]
	1 / 20 [8]	1 / 20 [8]	1 / 20 [8]	1 / 20 [8]
Refrigerant Control	TX Valves	TX Valves	TX Valves	TX Valves
Drain Connection No./Size in. [mm]	1/0.75 [19.05]	1/0.75 [19.05]	1/0.75 [19.05]	1/0.75 [19.05]
Outdoor Fan - Type				
No. Used/Diameter in. [mm]	Propeller	Propeller	Propeller	Propeller
Drive Type/No. Speeds	1/24 [609.6]	1/24 [609.6]	1/24 [609.6]	1/24 [609.6]
CFM [L/s]	Direct/1	Direct/1	Direct/1	Direct/1
No. Motors/HP	3680 [1737]	3680 [1737]	3680 [1737]	3680 [1737]
Motor RPM	1 at 1/3 HP	1 at 1/3 HP	1 at 1/3 HP	1 at 1/3 HP
	1075	1075	1075	1075
Indoor Fan - Type				
No. Used/Diameter in. [mm]	FC Centrifugal	FC Centrifugal	FC Centrifugal	FC Centrifugal
Drive Type	1/10x10 [254x254]	1/10x10 [254x254]	1/10x10 [254x254]	1/10x10 [254x254]
No. Speeds	Belt (Adjustable)	Belt (Adjustable)	Belt (Adjustable)	Belt (Adjustable)
No. Motors	Single	Single	Single	Single
Motor HP	1	1	1	1
Motor RPM	1/2	1/2	1/2	3/4
Motor Frame Size	1725	1725	1725	1725
	48	48	48	56
Filter - Type				
Furnished	Disposable	Disposable	Disposable	Disposable
(NO.) Size Recommended in. [mm x mm x mm]	Yes	Yes	Yes	Yes
	(1)1x16x25 [25x406x635]	(1)1x16x25 [25x406x635]	(1)1x16x25 [25x406x635]	(1)1x16x25 [25x406x635]
	(1)1x16x25 [25x406x635]	(1)1x16x25 [25x406x635]	(1)1x16x25 [25x406x635]	(1)1x16x25 [25x406x635]
Refrigerant Charge Oz. [g]	68 [1928]	68 [1928]	68 [1928]	68 [1928]
Weights				
Net Weight lbs. [kg]	549 [249]	554 [251]	559 [254]	550 [249]
Ship Weight lbs. [kg]	556 [252]	561 [254]	566 [257]	557 [253]

NOTES:

- Cooling Performance is rated at 95° F ambient, 80° F entering dry bulb, 67° F entering wet bulb. Gross capacity does not include the effect of fan motor heat. AHRI capacity is net and includes the effect of fan motor heat. Units are suitable for operation to ±20% of nominal cfm. Units are certified in accordance with the Unitary Air Conditioner Equipment certification program, which is based on AHRI Standard 210/240 or 360.
- EER and/or SEER are rated at AHRI conditions and in accordance with DOE test procedures.
- Heating Performance limit settings and rating data were established and approved under laboratory test conditions using American National Standard Institute standards. Ratings shown are for elevations up to 2000 feet. For elevations above 2000 feet, ratings should be reduced at the rate of 4% for each 1000 feet above sea level.
- Outdoor Sound Rating shown is tested in accordance with AHRI Standard 270.

GENERAL DATA - RKNN MODELS

NOMINAL SIZES 3-5 TONS [10.6-17.6 kW]

Model RKNN- Series	A048DM10	A048DM13	A048JK08	A048JK10
Cooling Performance ¹				Continued ->
Gross Cooling Capacity Btu [kW]	48,000 [14.06]	48,000 [14.06]	48,000 [14.06]	48,000 [14.06]
EER/SEER ²	11.5/13	11.5/13	11.5/13	11.5/13
Nominal CFM/AHRI Rated CFM [L/s]	1600/1500 [755/708]	1600/1500 [755/708]	1600/1500 [755/708]	1600/1500 [755/708]
AHRI Net Cooling Capacity Btu [kW]	46,000 [13.48]	46,000 [13.48]	46,000 [13.48]	46,000 [13.48]
Net Sensible Capacity Btu [kW]	34,000 [9.96]	34,000 [9.96]	34,000 [9.96]	34,000 [9.96]
Net Latent Capacity Btu [kW]	12,000 [3.52]	12,000 [3.52]	12,000 [3.52]	12,000 [3.52]
Net System Power kW	3.93	3.93	3.93	3.93
<hr/>				
Heating Performance (Gas) ⁴				
Heating Input Btu [kW]	100,000 [29.3]	135,000 [39.55]	80,000 [23.44]	100,000 [29.3]
Heating Output Btu [kW]	81,000 [23.73]	109,350 [32.04]	64,000 [18.17]	80,000 [22.85]
Temperature Rise Range °F [°C]	40-70 [22.2-38.9]	50-80 [27.8-44.4]	30-60 [16.7-33.3]	40-70 [22.2-38.9]
AFUE %	80	80	80	80
Steady State Efficiency (%)	81	81	80	80
No. Burners	5	6	4	5
No. Stages	1	1	1	1
Gas Connection Pipe Size in. [mm]	0.5 [12.7]	0.5 [12.7]	0.5 [12.7]	0.5 [12.7]
<hr/>				
Compressor				
No./Type	1/Scroll	1/Scroll	1/Scroll	1/Scroll
<hr/>				
Outdoor Sound Rating (dB) ⁵	78	78	78	78
<hr/>				
Outdoor Coil - Fin Type				
Tube Type	MicroChannel	MicroChannel	MicroChannel	MicroChannel
MicroChannel Depth in. [mm]	0.7 [18]	0.7 [18]	0.7 [18]	0.7 [18]
Face Area sq. ft. [sq. m]	16.4 [1.52]	16.4 [1.52]	16.4 [1.52]	16.4 [1.52]
Rows / FPI [FPcm]	1 / 23 [9]	1 / 23 [9]	1 / 23 [9]	1 / 23 [9]
<hr/>				
Indoor Coil - Fin Type				
Tube Type	MicroChannel	MicroChannel	MicroChannel	MicroChannel
MicroChannel Depth in. [mm]	1.3 [32]	1.3 [32]	1.3 [32]	1.3 [32]
Face Area sq. ft. [sq. m]	4.8 [0.45]	4.8 [0.45]	4.8 [0.45]	4.8 [0.45]
Rows / FPI [FPcm]	1 / 20 [8]	1 / 20 [8]	1 / 20 [8]	1 / 20 [8]
Refrigerant Control	TX Valves	TX Valves	TX Valves	TX Valves
Drain Connection No./Size in. [mm]	1/0.75 [19.05]	1/0.75 [19.05]	1/0.75 [19.05]	1/0.75 [19.05]
<hr/>				
Outdoor Fan - Type				
No. Used/Diameter in. [mm]	1/24 [609.6]	1/24 [609.6]	1/24 [609.6]	1/24 [609.6]
Drive Type/No. Speeds	Direct/1	Direct/1	Direct/1	Direct/1
CFM [L/s]	3680 [1737]	3680 [1737]	3680 [1737]	3680 [1737]
No. Motors/HP	1 at 1/3 HP	1 at 1/3 HP	1 at 1/3 HP	1 at 1/3 HP
Motor RPM	1075	1075	1075	1075
<hr/>				
Indoor Fan - Type				
No. Used/Diameter in. [mm]	1/10x10 [254x254]	1/10x10 [254x254]	1/10x10 [254x254]	1/10x10 [254x254]
Drive Type	Belt (Adjustable)	Belt (Adjustable)	Direct	Direct
No. Speeds	Single	Single	Multiple	Multiple
No. Motors	1	1	1	1
Motor HP	3/4	3/4	1/2	1/2
Motor RPM	1725	1725	1075	1075
Motor Frame Size	56	56	48	48
<hr/>				
Filter - Type				
Furnished	Yes	Yes	Yes	Yes
(NO.) Size Recommended in. [mm x mm x mm]	(1)1x16x25 [25x406x635]	(1)1x16x25 [25x406x635]	(1)1x16x25 [25x406x635]	(1)1x16x25 [25x406x635]
	(1)1x16x25 [25x406x635]	(1)1x16x25 [25x406x635]	(1)1x16x25 [25x406x635]	(1)1x16x25 [25x406x635]
<hr/>				
Refrigerant Charge Oz. [g]	68 [1928]	68 [1928]	68 [1928]	68 [1928]
<hr/>				
Weights				
Net Weight lbs. [kg]	555 [252]	560 [254]	531 [241]	536 [243]
Ship Weight lbs. [kg]	562 [255]	567 [257]	538 [244]	543 [246]

NOTES:

- Cooling Performance is rated at 95° F ambient, 80° F entering dry bulb, 67° F entering wet bulb. Gross capacity does not include the effect of fan motor heat. AHRI capacity is net and includes the effect of fan motor heat. Units are suitable for operation to ±20% of nominal cfm. Units are certified in accordance with the Unitary Air Conditioner Equipment certification program, which is based on AHRI Standard 210/240 or 360.
- EER and/or SEER are rated at AHRI conditions and in accordance with DOE test procedures.
- Heating Performance limit settings and rating data were established and approved under laboratory test conditions using American National Standard Institute standards. Ratings shown are for elevations up to 2000 feet. For elevations above 2000 feet, ratings should be reduced at the rate of 4% for each 1000 feet above sea level.
- Outdoor Sound Rating shown is tested in accordance with AHRI Standard 270.

GENERAL DATA - RKNN MODELS

NOMINAL SIZES 3-5 TONS [10.6-17.6 kW]

Model RKNN- Series	A048JK13	A048YL13	A048YM13	A060CK10
Cooling Performance ¹				Continued ->
Gross Cooling Capacity Btu [kW]	48,000 [14.06]	48,000 [14.06]	48,000 [14.06]	60,000 [17.58]
EER/SEER ²	11.5/13	11.5/13	11.5/13	11.00/13
Nominal CFM/AHRI Rated CFM [L/s]	1600/1500 [755/708]	1600/1500 [755/708]	1600/1500 [755/708]	2000/1850 [944/873]
AHRI Net Cooling Capacity Btu [kW]	46,000 [13.48]	46,000 [13.48]	46,000 [13.48]	58,000 [17.00]
Net Sensible Capacity Btu [kW]	34,000 [9.96]	34,000 [9.96]	34,000 [9.96]	41,500 [12.16]
Net Latent Capacity Btu [kW]	12,000 [3.52]	12,000 [3.52]	12,000 [3.52]	16,500 [4.84]
Net System Power kW	3.93	3.93	3.93	4.9
Heating Performance (Gas) ⁴				
Heating Input Btu [kW]	135,000 [39.55]	135,000 [39.55]	135,000 [39.55]	100,000 [29.3]
Heating Output Btu [kW]	108,000 [31.06]	109,400 [32.05]	109,400 [32.05]	81,000 [23.73]
Temperature Rise Range °F [°C]	50-80 [27.8-44.4]	50-80 [27.8-44.4]	50-80 [27.8-44.4]	25-55 [13.9-30.6]
AFUE %	80	80	80	80
Steady State Efficiency (%)	80	81	81	81
No. Burners	6	6	6	5
No. Stages	1	1	1	1
Gas Connection Pipe Size in. [mm]	0.5 [12.7]	0.5 [12.7]	0.5 [12.7]	0.5 [12.7]
Compressor				
No./Type	1/Scroll	1/Scroll	1/Scroll	1/Scroll
Outdoor Sound Rating (dB) ⁵				
	78	78	78	83
Outdoor Coil - Fin Type				
Tube Type	Louvered	Louvered	Louvered	Louvered
MicroChannel Depth in. [mm]	MicroChannel	MicroChannel	MicroChannel	MicroChannel
Face Area sq. ft. [sq. m]	0.7 [18]	0.7 [18]	0.7 [18]	0.7 [18]
Rows / FPI [FPcm]	16.4 [1.52]	16.4 [1.52]	16.4 [1.52]	16.4 [1.52]
	1 / 23 [9]	1 / 23 [9]	1 / 23 [9]	1 / 23 [9]
Indoor Coil - Fin Type				
Tube Type	Louvered	Louvered	Louvered	Louvered
MicroChannel Depth in. [mm]	MicroChannel	MicroChannel	MicroChannel	MicroChannel
Face Area sq. ft. [sq. m]	1.3 [32]	1.3 [32]	1.3 [32]	1.3 [32]
Rows / FPI [FPcm]	4.8 [0.45]	4.8 [0.45]	4.8 [0.45]	4.8 [0.45]
	1 / 20 [8]	1 / 20 [8]	1 / 20 [8]	1 / 20 [8]
Refrigerant Control	TX Valves	TX Valves	TX Valves	TX Valves
Drain Connection No./Size in. [mm]	1/0.75 [19.05]	1/0.75 [19.05]	1/0.75 [19.05]	1/0.75 [19.05]
Outdoor Fan - Type				
No. Used/Diameter in. [mm]	Propeller	Propeller	Propeller	Propeller
Drive Type/No. Speeds	1/24 [609.6]	1/24 [609.6]	1/24 [609.6]	1/24 [609.6]
CFM [L/s]	Direct/1	Direct/1	Direct/1	Direct/1
No. Motors/HP	3680 [1737]	3680 [1737]	3680 [1737]	3930 [1855]
Motor RPM	1 at 1/3 HP	1 at 1/3 HP	1 at 1/3 HP	1 at 1/3 HP
	1075	1075	1075	1075
Indoor Fan - Type				
No. Used/Diameter in. [mm]	FC Centrifugal	FC Centrifugal	FC Centrifugal	FC Centrifugal
Drive Type	1/10x10 [254x254]	1/10x10 [254x254]	1/10x10 [254x254]	1/10x10 [254x254]
No. Speeds	Direct	Belt (Adjustable)	Belt (Adjustable)	Direct
No. Motors	Multiple	Single	Single	Multiple
Motor HP	1	1	1	1
Motor RPM	1/2	3/4	3/4	3/4
Motor Frame Size	1075	1725	1725	1075
	48	56	56	48
Filter - Type				
Furnished	Disposable	Disposable	Disposable	Disposable
(NO.) Size Recommended in. [mm x mm x mm]	Yes	Yes	Yes	Yes
	(1)1x16x25 [25x406x635]	(1)1x16x25 [25x406x635]	(1)1x16x25 [25x406x635]	(1)1x16x25 [25x406x635]
	(1)1x16x25 [25x406x635]	(1)1x16x25 [25x406x635]	(1)1x16x25 [25x406x635]	(1)1x16x25 [25x406x635]
Refrigerant Charge Oz. [g]	68 [1928]	68 [1928]	68 [1928]	63 [1786]
Weights				
Net Weight lbs. [kg]	541 [245]	555 [252]	560 [254]	550 [249]
Ship Weight lbs. [kg]	548 [249]	562 [255]	567 [257]	557 [253]

NOTES:

- Cooling Performance is rated at 95° F ambient, 80° F entering dry bulb, 67° F entering wet bulb. Gross capacity does not include the effect of fan motor heat. AHRI capacity is net and includes the effect of fan motor heat. Units are suitable for operation to ±20% of nominal cfm. Units are certified in accordance with the Unitary Air Conditioner Equipment certification program, which is based on AHRI Standard 210/240 or 360.
- EER and/or SEER are rated at AHRI conditions and in accordance with DOE test procedures.
- Heating Performance limit settings and rating data were established and approved under laboratory test conditions using American National Standard Institute standards. Ratings shown are for elevations up to 2000 feet. For elevations above 2000 feet, ratings should be reduced at the rate of 4% for each 1000 feet above sea level.
- Outdoor Sound Rating shown is tested in accordance with AHRI Standard 270.

GENERAL DATA - RKNN MODELS

NOMINAL SIZES 3-5 TONS [10.6-17.6 kW]

Model RKNN- Series	A060CK13	A060CL10	A060CL13	A060CM10
Cooling Performance ¹				Continued ->
Gross Cooling Capacity Btu [kW]	60,000 [17.58]	60,000 [17.58]	60,000 [17.58]	60,000 [17.58]
EER/SEER ²	11.00/13	11.00/13	11.00/13	11.00/13
Nominal CFM/AHRI Rated CFM [L/s]	2000/1850 [944/873]	2000/1850 [944/873]	2000/1850 [944/873]	2000/1850 [944/873]
AHRI Net Cooling Capacity Btu [kW]	58,000 [17.00]	58,000 [17.00]	58,000 [17.00]	58,000 [17.00]
Net Sensible Capacity Btu [kW]	41,500 [12.16]	41,500 [12.16]	41,500 [12.16]	41,500 [12.16]
Net Latent Capacity Btu [kW]	16,500 [4.84]	16,500 [4.84]	16,500 [4.84]	16,500 [4.84]
Net System Power kW	4.9	4.9	4.9	4.9
<hr/>				
Heating Performance (Gas) ⁴				
Heating Input Btu [kW]	135,000 [39.55]	100,000 [29.3]	135,000 [39.55]	100,000 [29.3]
Heating Output Btu [kW]	109,400 [32.05]	81,000 [23.73]	109,400 [32.05]	81,000 [23.73]
Temperature Rise Range °F [°C]	40-70 [22.2-38.9]	25-55 [13.9-30.6]	40-70 [22.2-38.9]	25-55 [13.9-30.6]
AFUE %	80	80	80	80
Steady State Efficiency (%)	81	81	81	81
No. Burners	6	5	6	5
No. Stages	1	1	1	1
Gas Connection Pipe Size in. [mm]	0.5 [12.7]	0.5 [12.7]	0.5 [12.7]	0.5 [12.7]
<hr/>				
Compressor				
No./Type	1/Scroll	1/Scroll	1/Scroll	1/Scroll
<hr/>				
Outdoor Sound Rating (dB) ⁵	83	83	83	83
<hr/>				
Outdoor Coil - Fin Type				
Tube Type	MicroChannel	MicroChannel	MicroChannel	MicroChannel
MicroChannel Depth in. [mm]	0.7 [18]	0.7 [18]	0.7 [18]	0.7 [18]
Face Area sq. ft. [sq. m]	16.4 [1.52]	16.4 [1.52]	16.4 [1.52]	16.4 [1.52]
Rows / FPI [FPcm]	1 / 23 [9]	1 / 23 [9]	1 / 23 [9]	1 / 23 [9]
<hr/>				
Indoor Coil - Fin Type				
Tube Type	MicroChannel	MicroChannel	MicroChannel	MicroChannel
MicroChannel Depth in. [mm]	1.3 [32]	1.3 [32]	1.3 [32]	1.3 [32]
Face Area sq. ft. [sq. m]	4.8 [0.45]	4.8 [0.45]	4.8 [0.45]	4.8 [0.45]
Rows / FPI [FPcm]	1 / 20 [8]	1 / 20 [8]	1 / 20 [8]	1 / 20 [8]
Refrigerant Control	TX Valves	TX Valves	TX Valves	TX Valves
Drain Connection No./Size in. [mm]	1/0.75 [19.05]	1/0.75 [19.05]	1/0.75 [19.05]	1/0.75 [19.05]
<hr/>				
Outdoor Fan - Type				
No. Used/Diameter in. [mm]	1/24 [609.6]	1/24 [609.6]	1/24 [609.6]	1/24 [609.6]
Drive Type/No. Speeds	Direct/1	Direct/1	Direct/1	Direct/1
CFM [L/s]	3930 [1855]	3930 [1855]	3930 [1855]	3930 [1855]
No. Motors/HP	1 at 1/3 HP	1 at 1/3 HP	1 at 1/3 HP	1 at 1/3 HP
Motor RPM	1075	1075	1075	1075
<hr/>				
Indoor Fan - Type				
No. Used/Diameter in. [mm]	1/10x10 [254x254]	1/11x10 [279x254]	1/11x10 [279x254]	1/11x10 [279x254]
Drive Type	Direct	Belt (Adjustable)	Belt (Adjustable)	Belt (Adjustable)
No. Speeds	Multiple	Single	Single	Single
No. Motors	1	1	1	1
Motor HP	3/4	3/4	3/4	1
Motor RPM	1075	1725	1725	1725
Motor Frame Size	48	56	56	56
<hr/>				
Filter - Type				
Furnished	Yes	Yes	Yes	Yes
(NO.) Size Recommended in. [mm x mm x mm]	(1)1x16x25 [25x406x635]	(1)1x16x25 [25x406x635]	(1)1x16x25 [25x406x635]	(1)1x16x25 [25x406x635]
	(1)1x16x25 [25x406x635]	(1)1x16x25 [25x406x635]	(1)1x16x25 [25x406x635]	(1)1x16x25 [25x406x635]
<hr/>				
Refrigerant Charge Oz. [g]	63 [1786]	63 [1786]	63 [1786]	63 [1786]
<hr/>				
Weights				
Net Weight lbs. [kg]	555 [252]	562 [255]	567 [257]	567 [257]
Ship Weight lbs. [kg]	562 [255]	569 [258]	574 [260]	574 [260]

NOTES:

- Cooling Performance is rated at 95° F ambient, 80° F entering dry bulb, 67° F entering wet bulb. Gross capacity does not include the effect of fan motor heat. AHRI capacity is net and includes the effect of fan motor heat. Units are suitable for operation to ±20% of nominal cfm. Units are certified in accordance with the Unitary Air Conditioner Equipment certification program, which is based on AHRI Standard 210/240 or 360.
- EER and/or SEER are rated at AHRI conditions and in accordance with DOE test procedures.
- Heating Performance limit settings and rating data were established and approved under laboratory test conditions using American National Standard Institute standards. Ratings shown are for elevations up to 2000 feet. For elevations above 2000 feet, ratings should be reduced at the rate of 4% for each 1000 feet above sea level.
- Outdoor Sound Rating shown is tested in accordance with AHRI Standard 270.

GENERAL DATA - RKNN MODELS

NOMINAL SIZES 3-5 TONS [10.6-17.6 kW]

Model RKNN- Series	A060CM13	A060DK10	A060DK13	A060DL10
Cooling Performance ¹				Continued ->
Gross Cooling Capacity Btu [kW]	60,000 [17.58]	60,000 [17.58]	60,000 [17.58]	60,000 [17.58]
EER/SEER ²	11.00/13	11.00/13	11.00/13	11.00/13
Nominal CFM/AHRI Rated CFM [L/s]	2000/1850 [944/873]	2000/1850 [944/873]	2000/1850 [944/873]	2000/1850 [944/873]
AHRI Net Cooling Capacity Btu [kW]	58,000 [17.00]	58,000 [17.00]	58,000 [17.00]	58,000 [17.00]
Net Sensible Capacity Btu [kW]	41,500 [12.16]	41,500 [12.16]	41,500 [12.16]	41,500 [12.16]
Net Latent Capacity Btu [kW]	16,500 [4.84]	16,500 [4.84]	16,500 [4.84]	16,500 [4.84]
Net System Power kW	4.9	4.9	4.9	4.9
Heating Performance (Gas) ⁴				
Heating Input Btu [kW]	135,000 [39.55]	100,000 [29.3]	135,000 [39.55]	100,000 [29.3]
Heating Output Btu [kW]	109,400 [32.05]	81,000 [23.73]	109,400 [32.05]	81,000 [23.73]
Temperature Rise Range °F [°C]	40-70 [22.2-38.9]	25-55 [13.9-30.6]	40-70 [22.2-38.9]	25-55 [13.9-30.6]
AFUE %	80	80	80	80
Steady State Efficiency (%)	81	81	81	81
No. Burners	6	5	6	5
No. Stages	1	1	1	1
Gas Connection Pipe Size in. [mm]	0.5 [12.7]	0.5 [12.7]	0.5 [12.7]	0.5 [12.7]
Compressor				
No./Type	1/Scroll	1/Scroll	1/Scroll	1/Scroll
Outdoor Sound Rating (dB) ⁵				
	83	83	83	83
Outdoor Coil - Fin Type				
Tube Type	Louvered	Louvered	Louvered	Louvered
MicroChannel Depth in. [mm]	MicroChannel	MicroChannel	MicroChannel	MicroChannel
Face Area sq. ft. [sq. m]	0.7 [18]	0.7 [18]	0.7 [18]	0.7 [18]
Rows / FPI [FPcm]	16.4 [1.52]	16.4 [1.52]	16.4 [1.52]	16.4 [1.52]
	1 / 23 [9]	1 / 23 [9]	1 / 23 [9]	1 / 23 [9]
Indoor Coil - Fin Type				
Tube Type	Louvered	Louvered	Louvered	Louvered
MicroChannel Depth in. [mm]	MicroChannel	MicroChannel	MicroChannel	MicroChannel
Face Area sq. ft. [sq. m]	1.3 [32]	1.3 [32]	1.3 [32]	1.3 [32]
Rows / FPI [FPcm]	4.8 [0.45]	4.8 [0.45]	4.8 [0.45]	4.8 [0.45]
	1 / 20 [8]	1 / 20 [8]	1 / 20 [8]	1 / 20 [8]
Refrigerant Control	TX Valves	TX Valves	TX Valves	TX Valves
Drain Connection No./Size in. [mm]	1/0.75 [19.05]	1/0.75 [19.05]	1/0.75 [19.05]	1/0.75 [19.05]
Outdoor Fan - Type				
No. Used/Diameter in. [mm]	Propeller	Propeller	Propeller	Propeller
Drive Type/No. Speeds	1/24 [609.6]	1/24 [609.6]	1/24 [609.6]	1/24 [609.6]
CFM [L/s]	Direct/1	Direct/1	Direct/1	Direct/1
No. Motors/HP	3930 [1855]	3930 [1855]	3930 [1855]	3930 [1855]
Motor RPM	1 at 1/3 HP	1 at 1/3 HP	1 at 1/3 HP	1 at 1/3 HP
	1075	1075	1075	1075
Indoor Fan - Type				
No. Used/Diameter in. [mm]	FC Centrifugal	FC Centrifugal	FC Centrifugal	FC Centrifugal
Drive Type	1/11x10 [279x254]	1/10x10 [254x254]	1/10x10 [254x254]	1/11x10 [279x254]
No. Speeds	Belt (Adjustable)	Direct	Direct	Belt (Adjustable)
No. Motors	Single	Multiple	Multiple	Single
Motor HP	1	1	1	1
Motor RPM	1	3/4	3/4	3/4
Motor Frame Size	1725	1075	1075	1725
	56	48	48	56
Filter - Type				
Furnished	Disposable	Disposable	Disposable	Disposable
(NO.) Size Recommended in. [mm x mm x mm]	Yes	Yes	Yes	Yes
	(1)1x16x25 [25x406x635]	(1)1x16x25 [25x406x635]	(1)1x16x25 [25x406x635]	(1)1x16x25 [25x406x635]
	(1)1x16x25 [25x406x635]	(1)1x16x25 [25x406x635]	(1)1x16x25 [25x406x635]	(1)1x16x25 [25x406x635]
Refrigerant Charge Oz. [g]	63 [1786]	63 [1786]	63 [1786]	63 [1786]
Weights				
Net Weight lbs. [kg]	572 [259]	550 [249]	555 [252]	562 [255]
Ship Weight lbs. [kg]	579 [263]	557 [253]	562 [255]	569 [258]

NOTES:

- Cooling Performance is rated at 95° F ambient, 80° F entering dry bulb, 67° F entering wet bulb. Gross capacity does not include the effect of fan motor heat. AHRI capacity is net and includes the effect of fan motor heat. Units are suitable for operation to ±20% of nominal cfm. Units are certified in accordance with the Unitary Air Conditioner Equipment certification program, which is based on AHRI Standard 210/240 or 360.
- EER and/or SEER are rated at AHRI conditions and in accordance with DOE test procedures.
- Heating Performance limit settings and rating data were established and approved under laboratory test conditions using American National Standard Institute standards. Ratings shown are for elevations up to 2000 feet. For elevations above 2000 feet, ratings should be reduced at the rate of 4% for each 1000 feet above sea level.
- Outdoor Sound Rating shown is tested in accordance with AHRI Standard 270.

GENERAL DATA - RKNN MODELS

NOMINAL SIZES 3-5 TONS [10.6-17.6 kW]

Model RKNN- Series	A060DL13	A060DM10	A060DM13	A060JK10
Cooling Performance ¹				Continued ->
Gross Cooling Capacity Btu [kW]	60,000 [17.58]	60,000 [17.58]	60,000 [17.58]	60,000 [17.58]
EER/SEER ²	11.00/13	11.00/13	11.00/13	11.00/13
Nominal CFM/AHRI Rated CFM [L/s]	2000/1850 [944/873]	2000/1850 [944/873]	2000/1850 [944/873]	2000/1850 [944/873]
AHRI Net Cooling Capacity Btu [kW]	58,000 [17.00]	58,000 [17.00]	58,000 [17.00]	58,000 [17.00]
Net Sensible Capacity Btu [kW]	41,500 [12.16]	41,500 [12.16]	41,500 [12.16]	41,500 [12.16]
Net Latent Capacity Btu [kW]	16,500 [4.84]	16,500 [4.84]	16,500 [4.84]	16,500 [4.84]
Net System Power kW	4.9	4.9	4.9	4.9
<hr/>				
Heating Performance (Gas) ⁴				
Heating Input Btu [kW]	135,000 [39.55]	100,000 [29.3]	135,000 [39.55]	100,000 [29.3]
Heating Output Btu [kW]	109,400 [32.05]	81,000 [23.73]	109,400 [32.05]	80,000 [22.85]
Temperature Rise Range °F [°C]	40-70 [22.2-38.9]	25-55 [13.9-30.6]	40-70 [22.2-38.9]	25-55 [13.9-30.6]
AFUE %	80	80	80	80
Steady State Efficiency (%)	81	81	81	80
No. Burners	6	5	6	5
No. Stages	1	1	1	1
Gas Connection Pipe Size in. [mm]	0.5 [12.7]	0.5 [12.7]	0.5 [12.7]	0.5 [12.7]
<hr/>				
Compressor				
No./Type	1/Scroll	1/Scroll	1/Scroll	1/Scroll
<hr/>				
Outdoor Sound Rating (dB) ⁵	83	83	83	83
<hr/>				
Outdoor Coil - Fin Type				
Tube Type	MicroChannel	MicroChannel	MicroChannel	MicroChannel
MicroChannel Depth in. [mm]	0.7 [18]	0.7 [18]	0.7 [18]	0.7 [18]
Face Area sq. ft. [sq. m]	16.4 [1.52]	16.4 [1.52]	16.4 [1.52]	16.4 [1.52]
Rows / FPI [FPcm]	1 / 23 [9]	1 / 23 [9]	1 / 23 [9]	1 / 23 [9]
<hr/>				
Indoor Coil - Fin Type				
Tube Type	MicroChannel	MicroChannel	MicroChannel	MicroChannel
MicroChannel Depth in. [mm]	1.3 [32]	1.3 [32]	1.3 [32]	1.3 [32]
Face Area sq. ft. [sq. m]	4.8 [0.45]	4.8 [0.45]	4.8 [0.45]	4.8 [0.45]
Rows / FPI [FPcm]	1 / 20 [8]	1 / 20 [8]	1 / 20 [8]	1 / 20 [8]
Refrigerant Control	TX Valves	TX Valves	TX Valves	TX Valves
Drain Connection No./Size in. [mm]	1/0.75 [19.05]	1/0.75 [19.05]	1/0.75 [19.05]	1/0.75 [19.05]
<hr/>				
Outdoor Fan - Type				
No. Used/Diameter in. [mm]	1/24 [609.6]	1/24 [609.6]	1/24 [609.6]	1/24 [609.6]
Drive Type/No. Speeds	Direct/1	Direct/1	Direct/1	Direct/1
CFM [L/s]	3930 [1855]	3930 [1855]	3930 [1855]	3930 [1855]
No. Motors/HP	1 at 1/3 HP	1 at 1/3 HP	1 at 1/3 HP	1 at 1/3 HP
Motor RPM	1075	1075	1075	1075
<hr/>				
Indoor Fan - Type				
No. Used/Diameter in. [mm]	1/11x10 [279x254]	1/11x10 [279x254]	1/11x10 [279x254]	1/10x10 [254x254]
Drive Type	Belt (Adjustable)	Belt (Adjustable)	Belt (Adjustable)	Direct
No. Speeds	Single	Single	Single	Multiple
No. Motors	1	1	1	1
Motor HP	3/4	1	1	3/4
Motor RPM	1725	1725	1725	1075
Motor Frame Size	56	56	56	48
<hr/>				
Filter - Type				
Furnished	Yes	Yes	Yes	Yes
(NO.) Size Recommended in. [mm x mm x mm]	(1)1x16x25 [25x406x635]	(1)1x16x25 [25x406x635]	(1)1x16x25 [25x406x635]	(1)1x16x25 [25x406x635]
	(1)1x16x25 [25x406x635]	(1)1x16x25 [25x406x635]	(1)1x16x25 [25x406x635]	(1)1x16x25 [25x406x635]
<hr/>				
Refrigerant Charge Oz. [g]	63 [1786]	63 [1786]	63 [1786]	63 [1786]
<hr/>				
Weights				
Net Weight lbs. [kg]	567 [257]	567 [257]	572 [259]	550 [249]
Ship Weight lbs. [kg]	574 [260]	574 [260]	579 [263]	557 [253]

NOTES:

- Cooling Performance is rated at 95° F ambient, 80° F entering dry bulb, 67° F entering wet bulb. Gross capacity does not include the effect of fan motor heat. AHRI capacity is net and includes the effect of fan motor heat. Units are suitable for operation to ±20% of nominal cfm. Units are certified in accordance with the Unitary Air Conditioner Equipment certification program, which is based on AHRI Standard 210/240 or 360.
- EER and/or SEER are rated at AHRI conditions and in accordance with DOE test procedures.
- Heating Performance limit settings and rating data were established and approved under laboratory test conditions using American National Standard Institute standards. Ratings shown are for elevations up to 2000 feet. For elevations above 2000 feet, ratings should be reduced at the rate of 4% for each 1000 feet above sea level.
- Outdoor Sound Rating shown is tested in accordance with AHRI Standard 270.

GENERAL DATA - RKNN MODELS

NOMINAL SIZES 3-5 TONS [10.6-17.6 kW]

Model RKNN- Series	A060JK13	A060YL13	A060YM13
Cooling Performance¹			
Gross Cooling Capacity Btu [kW]	60,000 [17.58]	60,000 [17.58]	60,000 [17.58]
EER/SEER ²	11.00/13	11.00/13	11.00/13
Nominal CFM/AHRI Rated CFM [L/s]	2000/1850 [944/873]	2000/1850 [944/873]	2000/1850 [944/873]
AHRI Net Cooling Capacity Btu [kW]	58,000 [17.00]	58,000 [17.00]	58,000 [17.00]
Net Sensible Capacity Btu [kW]	41,500 [12.16]	41,500 [12.16]	41,500 [12.16]
Net Latent Capacity Btu [kW]	16,500 [4.84]	16,500 [4.84]	16,500 [4.84]
Net System Power kW	4.9	4.9	4.9
Heating Performance (Gas)⁴			
Heating Input Btu [kW]	135,000 [39.55]	135,000 [39.55]	135,000 [39.55]
Heating Output Btu [kW]	108,000 [31.06]	109,400 [32.05]	109,400 [32.05]
Temperature Rise Range °F [°C]	40-70 [22.2-38.9]	40-70 [22.2-38.9]	40-70 [22.2-38.9]
AFUE %	80	80	80
Steady State Efficiency (%)	80	81	81
No. Burners	6	6	6
No. Stages	1	1	1
Gas Connection Pipe Size in. [mm]	0.5 [12.7]	0.5 [12.7]	0.5 [12.7]
Compressor			
No./Type	1/Scroll	1/Scroll	1/Scroll
Outdoor Sound Rating (dB)⁵			
Outdoor Sound Rating (dB) ⁵	83	83	83
Outdoor Coil - Fin Type			
Tube Type	MicroChannel	MicroChannel	MicroChannel
MicroChannel Depth in. [mm]	0.7 [18]	0.7 [18]	0.7 [18]
Face Area sq. ft. [sq. m]	16.4 [1.52]	16.4 [1.52]	16.4 [1.52]
Rows / FPI [FPcm]	1 / 23 [9]	1 / 23 [9]	1 / 23 [9]
Indoor Coil - Fin Type			
Tube Type	MicroChannel	MicroChannel	MicroChannel
MicroChannel Depth in. [mm]	1.3 [32]	1.3 [32]	1.3 [32]
Face Area sq. ft. [sq. m]	4.8 [0.45]	4.8 [0.45]	4.8 [0.45]
Rows / FPI [FPcm]	1 / 20 [8]	1 / 20 [8]	1 / 20 [8]
Refrigerant Control	TX Valves	TX Valves	TX Valves
Drain Connection No./Size in. [mm]	1/0.75 [19.05]	1/0.75 [19.05]	1/0.75 [19.05]
Outdoor Fan - Type			
No. Used/Diameter in. [mm]	1/24 [609.6]	1/24 [609.6]	1/24 [609.6]
Drive Type/No. Speeds	Direct/1	Direct/1	Direct/1
CFM [L/s]	3930 [1855]	3930 [1855]	3930 [1855]
No. Motors/HP	1 at 1/3 HP	1 at 1/3 HP	1 at 1/3 HP
Motor RPM	1075	1075	1075
Indoor Fan - Type			
No. Used/Diameter in. [mm]	1/10x10 [254x254]	1/10x10 [254x254]	1/10x10 [254x254]
Drive Type	Direct	Belt (Adjustable)	Belt (Adjustable)
No. Speeds	Multiple	Single	Single
No. Motors	1	1	1
Motor HP	3/4	3/4	1
Motor RPM	1075	1725	1725
Motor Frame Size	48	56	56
Filter - Type			
Furnished	Yes	Yes	Yes
(NO.) Size Recommended in. [mm x mm x mm]	(1)1x16x25 [25x406x635]	(1)1x16x25 [25x406x635]	(1)1x16x25 [25x406x635]
	(1)1x16x25 [25x406x635]	(1)1x16x25 [25x406x635]	(1)1x16x25 [25x406x635]
Refrigerant Charge Oz. [g]	63 [1786]	63 [1786]	63 [1786]
Weights			
Net Weight lbs. [kg]	555 [252]	555 [252]	560 [254]
Ship Weight lbs. [kg]	562 [255]	562 [255]	567 [257]

NOTES:

- Cooling Performance is rated at 95° F ambient, 80° F entering dry bulb, 67° F entering wet bulb. Gross capacity does not include the effect of fan motor heat. AHRI capacity is net and includes the effect of fan motor heat. Units are suitable for operation to ±20% of nominal cfm. Units are certified in accordance with the Unitary Air Conditioner Equipment certification program, which is based on AHRI Standard 210/240 or 360.
- EER and/or SEER are rated at AHRI conditions and in accordance with DOE test procedures.
- Heating Performance limit settings and rating data were established and approved under laboratory test conditions using American National Standard Institute standards. Ratings shown are for elevations up to 2000 feet. For elevations above 2000 feet, ratings should be reduced at the rate of 4% for each 1000 feet above sea level.
- Outdoor Sound Rating shown is tested in accordance with AHRI Standard 270.

GENERAL DATA - RKPN MODELS

NOMINAL SIZES 3-5 TONS [10.6-17.6 kW]

Model RKPN- Series	A036CK08	A036CK12	A036CL08	A036CL12
Cooling Performance ¹				Continued ->
Gross Cooling Capacity Btu [kW]	36,200 [10.61]	36,200 [10.61]	36,200 [10.61]	36,200 [10.61]
EER/SEER ²	11.6/14	11.6/14	11.6/14	11.6/14
Nominal CFM/AHRI Rated CFM [L/s]	1200/1250 [566/590]	1200/1250 [566/590]	1200/1250 [566/590]	1200/1250 [566/590]
AHRI Net Cooling Capacity Btu [kW]	34,600 [10.14]	34,600 [10.14]	34,600 [10.14]	34,600 [10.14]
Net Sensible Capacity Btu [kW]	25,300 [7.41]	25,300 [7.41]	25,300 [7.41]	25,300 [7.41]
Net Latent Capacity Btu [kW]	9,300 [2.72]	9,300 [2.72]	9,300 [2.72]	9,300 [2.72]
Net System Power kW	2.95	2.95	2.95	2.95
<hr/>				
Heating Performance (Gas) ⁴				
Heating Input Btu [kW]	80,000 [23.44]	120,000 [35.16]	80,000 [23.44]	120,000 [35.16]
Heating Output Btu [kW]	64,800 [18.99]	97,200 [28.48]	64,800 [18.99]	97,200 [28.48]
Temperature Rise Range °F [°C]	30-60 [16.7-33.3]	50-80 [27.8-44.4]	30-60 [16.7-33.3]	50-80 [27.8-44.4]
AFUE %	80	80	80	80
Steady State Efficiency (%)	81	81	81	81
No. Burners	4	6	4	6
No. Stages	1	1	1	1
Gas Connection Pipe Size in. [mm]	0.5 [12.7]	0.5 [12.7]	0.5 [12.7]	0.5 [12.7]
<hr/>				
Compressor				
No./Type	1/Scroll	1/Scroll	1/Scroll	1/Scroll
<hr/>				
Outdoor Sound Rating (dB) ⁵	78	78	78	78
<hr/>				
Outdoor Coil - Fin Type				
Tube Type	MicroChannel	MicroChannel	MicroChannel	MicroChannel
MicroChannel Depth in. [mm]	0.7 [18]	0.7 [18]	0.7 [18]	0.7 [18]
Face Area sq. ft. [sq. m]	13.9 [1.29]	13.9 [1.29]	13.9 [1.29]	13.9 [1.29]
Rows / FPI [FPcm]	1 / 23 [9]	1 / 23 [9]	1 / 23 [9]	1 / 23 [9]
<hr/>				
Indoor Coil - Fin Type				
Tube Type	MicroChannel	MicroChannel	MicroChannel	MicroChannel
MicroChannel Depth in. [mm]	1 [25]	1 [25]	1 [25]	1 [25]
Face Area sq. ft. [sq. m]	4.8 [0.45]	4.8 [0.45]	4.8 [0.45]	4.8 [0.45]
Rows / FPI [FPcm]	1 / 20 [8]	1 / 20 [8]	1 / 20 [8]	1 / 20 [8]
Refrigerant Control	TX Valves	TX Valves	TX Valves	TX Valves
Drain Connection No./Size in. [mm]	1/0.75 [19.05]	1/0.75 [19.05]	1/0.75 [19.05]	1/0.75 [19.05]
<hr/>				
Outdoor Fan - Type				
No. Used/Diameter in. [mm]	1/24 [609.6]	1/24 [609.6]	1/24 [609.6]	1/24 [609.6]
Drive Type/No. Speeds	Direct/1	Direct/1	Direct/1	Direct/1
CFM [L/s]	3680 [1737]	3680 [1737]	3680 [1737]	3680 [1737]
No. Motors/HP	1 at 1/3 HP	1 at 1/3 HP	1 at 1/3 HP	1 at 1/3 HP
Motor RPM	1075	1075	1075	1075
<hr/>				
Indoor Fan - Type				
No. Used/Diameter in. [mm]	1/10x10 [254x254]	1/10x10 [254x254]	1/10x10 [254x254]	1/10x10 [254x254]
Drive Type	Direct	Direct	Belt (Adjustable)	Belt (Adjustable)
No. Speeds	Multiple	Multiple	Single	Single
No. Motors	1	1	1	1
Motor HP	1/2	1/2	1/2	1/2
Motor RPM	1075	1075	1725	1725
Motor Frame Size	48	48	48	48
<hr/>				
Filter - Type				
Furnished	Yes	Yes	Yes	Yes
(NO.) Size Recommended in. [mm x mm x mm]	(1)1x16x25 [25x406x635]	(1)1x16x25 [25x406x635]	(1)1x16x25 [25x406x635]	(1)1x16x25 [25x406x635]
	(1)1x16x25 [25x406x635]	(1)1x16x25 [25x406x635]	(1)1x16x25 [25x406x635]	(1)1x16x25 [25x406x635]
<hr/>				
Refrigerant Charge Oz. [g]	54 [1531]	54 [1531]	54 [1531]	54 [1531]
<hr/>				
Weights				
Net Weight lbs. [kg]	507 [230]	517 [235]	525 [238]	517 [235]
Ship Weight lbs. [kg]	514 [233]	525 [238]	532 [241]	525 [238]

NOTES:

- Cooling Performance is rated at 95° F ambient, 80° F entering dry bulb, 67° F entering wet bulb. Gross capacity does not include the effect of fan motor heat. AHRI capacity is net and includes the effect of fan motor heat. Units are suitable for operation to ±20% of nominal cfm. Units are certified in accordance with the Unitary Air Conditioner Equipment certification program, which is based on AHRI Standard 210/240 or 360.
- EER and/or SEER are rated at AHRI conditions and in accordance with DOE test procedures.
- Heating Performance limit settings and rating data were established and approved under laboratory test conditions using American National Standard Institute standards. Ratings shown are for elevations up to 2000 feet. For elevations above 2000 feet, ratings should be reduced at the rate of 4% for each 1000 feet above sea level.
- Outdoor Sound Rating shown is tested in accordance with AHRI Standard 270.

GENERAL DATA - RKPN MODELS

NOMINAL SIZES 3-5 TONS [10.6-17.6 kW]

Model RKPN- Series	A036CM08	A036CM12	A036DK08	A036DK12
Cooling Performance ¹				Continued ->
Gross Cooling Capacity Btu [kW]	36,200 [10.61]	36,200 [10.61]	36,200 [10.61]	36,200 [10.61]
EER/SEER ²	11.6/14	11.6/14	11.6/14	11.6/14
Nominal CFM/AHRI Rated CFM [L/s]	1200/1250 [566/590]	1200/1250 [566/590]	1200/1250 [566/590]	1200/1250 [566/590]
AHRI Net Cooling Capacity Btu [kW]	34,600 [10.14]	34,600 [10.14]	34,600 [10.14]	34,600 [10.14]
Net Sensible Capacity Btu [kW]	25,300 [7.41]	25,300 [7.41]	25,300 [7.41]	25,300 [7.41]
Net Latent Capacity Btu [kW]	9,300 [2.72]	9,300 [2.72]	9,300 [2.72]	9,300 [2.72]
Net System Power kW	2.95	2.95	2.95	2.95
Heating Performance (Gas) ⁴				
Heating Input Btu [kW]	80,000 [23.44]	120,000 [35.16]	80,000 [23.44]	120,000 [35.16]
Heating Output Btu [kW]	64,800 [18.99]	97,200 [28.48]	64,800 [18.99]	97,200 [28.48]
Temperature Rise Range °F [°C]	30-60 [16.7-33.3]	50-80 [27.8-44.4]	30-60 [16.7-33.3]	50-80 [27.8-44.4]
AFUE %	80	80	80	80
Steady State Efficiency (%)	81	81	81	81
No. Burners	4	6	4	6
No. Stages	1	1	1	1
Gas Connection Pipe Size in. [mm]	0.5 [12.7]	0.5 [12.7]	0.5 [12.7]	0.5 [12.7]
Compressor				
No./Type	1/Scroll	1/Scroll	1/Scroll	1/Scroll
Outdoor Sound Rating (dB) ⁵				
	78	78	78	78
Outdoor Coil - Fin Type				
Tube Type	Louvered	Louvered	Louvered	Louvered
MicroChannel Depth in. [mm]	MicroChannel	MicroChannel	MicroChannel	MicroChannel
Face Area sq. ft. [sq. m]	0.7 [18]	0.7 [18]	0.7 [18]	0.7 [18]
Rows / FPI [FPcm]	13.9 [1.29]	13.9 [1.29]	13.9 [1.29]	13.9 [1.29]
	1 / 23 [9]	1 / 23 [9]	1 / 23 [9]	1 / 23 [9]
Indoor Coil - Fin Type				
Tube Type	Louvered	Louvered	Louvered	Louvered
MicroChannel Depth in. [mm]	MicroChannel	MicroChannel	MicroChannel	MicroChannel
Face Area sq. ft. [sq. m]	1 [25]	1 [25]	1 [25]	1 [25]
Rows / FPI [FPcm]	4.8 [0.45]	4.8 [0.45]	4.8 [0.45]	4.8 [0.45]
	1 / 20 [8]	1 / 20 [8]	1 / 20 [8]	1 / 20 [8]
Refrigerant Control	TX Valves	TX Valves	TX Valves	TX Valves
Drain Connection No./Size in. [mm]	1/0.75 [19.05]	1/0.75 [19.05]	1/0.75 [19.05]	1/0.75 [19.05]
Outdoor Fan - Type				
No. Used/Diameter in. [mm]	Propeller	Propeller	Propeller	Propeller
Drive Type/No. Speeds	1/24 [609.6]	1/24 [609.6]	1/24 [609.6]	1/24 [609.6]
CFM [L/s]	Direct/1	Direct/1	Direct/1	Direct/1
No. Motors/HP	3680 [1737]	3680 [1737]	3680 [1737]	3680 [1737]
Motor RPM	1 at 1/3 HP	1 at 1/3 HP	1 at 1/3 HP	1 at 1/3 HP
	1075	1075	1075	1075
Indoor Fan - Type				
No. Used/Diameter in. [mm]	FC Centrifugal	FC Centrifugal	FC Centrifugal	FC Centrifugal
Drive Type	1/10x10 [254x254]	1/10x10 [254x254]	1/10x10 [254x254]	1/10x10 [254x254]
No. Speeds	Belt (Adjustable)	Belt (Adjustable)	Direct	Direct
No. Motors	Single	Single	Multiple	Multiple
Motor HP	1	1	1	1
Motor RPM	1/2	1/2	1/2	1/2
Motor Frame Size	1725	1725	1075	1075
	48	48	48	48
Filter - Type				
Furnished	Disposable	Disposable	Disposable	Disposable
(NO.) Size Recommended in. [mm x mm x mm]	Yes	Yes	Yes	Yes
	(1)1x16x25 [25x406x635]	(1)1x16x25 [25x406x635]	(1)1x16x25 [25x406x635]	(1)1x16x25 [25x406x635]
	(1)1x16x25 [25x406x635]	(1)1x16x25 [25x406x635]	(1)1x16x25 [25x406x635]	(1)1x16x25 [25x406x635]
Refrigerant Charge Oz. [g]	54 [1531]	54 [1531]	54 [1531]	54 [1531]
Weights				
Net Weight lbs. [kg]	525 [238]	517 [235]	507 [230]	517 [235]
Ship Weight lbs. [kg]	532 [241]	525 [238]	514 [233]	525 [238]

NOTES:

- Cooling Performance is rated at 95° F ambient, 80° F entering dry bulb, 67° F entering wet bulb. Gross capacity does not include the effect of fan motor heat. AHRI capacity is net and includes the effect of fan motor heat. Units are suitable for operation to ±20% of nominal cfm. Units are certified in accordance with the Unitary Air Conditioner Equipment certification program, which is based on AHRI Standard 210/240 or 360.
- EER and/or SEER are rated at AHRI conditions and in accordance with DOE test procedures.
- Heating Performance limit settings and rating data were established and approved under laboratory test conditions using American National Standard Institute standards. Ratings shown are for elevations up to 2000 feet. For elevations above 2000 feet, ratings should be reduced at the rate of 4% for each 1000 feet above sea level.
- Outdoor Sound Rating shown is tested in accordance with AHRI Standard 270.

GENERAL DATA - RKPN MODELS

NOMINAL SIZES 3-5 TONS [10.6-17.6 kW]

Model RKPN- Series	A036DL08	A036DL12	A036DM08	A036DM12
Cooling Performance ¹				Continued ->
Gross Cooling Capacity Btu [kW]	36,200 [10.61]	36,200 [10.61]	36,200 [10.61]	36,200 [10.61]
EER/SEER ²	11.6/14	11.6/14	11.6/14	11.6/14
Nominal CFM/AHRI Rated CFM [L/s]	1200/1250 [566/590]	1200/1250 [566/590]	1200/1250 [566/590]	1200/1250 [566/590]
AHRI Net Cooling Capacity Btu [kW]	34,600 [10.14]	34,600 [10.14]	34,600 [10.14]	34,600 [10.14]
Net Sensible Capacity Btu [kW]	25,300 [7.41]	25,300 [7.41]	25,300 [7.41]	25,300 [7.41]
Net Latent Capacity Btu [kW]	9,300 [2.72]	9,300 [2.72]	9,300 [2.72]	9,300 [2.72]
Net System Power kW	2.95	2.95	2.95	2.95
Heating Performance (Gas)⁴				
Heating Input Btu [kW]	80,000 [23.44]	120,000 [35.16]	80,000 [23.44]	120,000 [35.16]
Heating Output Btu [kW]	64,800 [18.99]	97,200 [28.48]	64,800 [18.99]	97,200 [28.48]
Temperature Rise Range °F [°C]	30-60 [16.7-33.3]	50-80 [27.8-44.4]	30-60 [16.7-33.3]	50-80 [27.8-44.4]
AFUE %	80	80	80	80
Steady State Efficiency (%)	81	81	81	81
No. Burners	4	6	4	6
No. Stages	1	1	1	1
Gas Connection Pipe Size in. [mm]	0.5 [12.7]	0.5 [12.7]	0.5 [12.7]	0.5 [12.7]
Compressor				
No./Type	1/Scroll	1/Scroll	1/Scroll	1/Scroll
Outdoor Sound Rating (dB)⁵				
Outdoor Sound Rating (dB) ⁵	78	78	78	78
Outdoor Coil - Fin Type				
Tube Type	MicroChannel	MicroChannel	MicroChannel	MicroChannel
MicroChannel Depth in. [mm]	0.7 [18]	0.7 [18]	0.7 [18]	0.7 [18]
Face Area sq. ft. [sq. m]	13.9 [1.29]	13.9 [1.29]	13.9 [1.29]	13.9 [1.29]
Rows / FPI [FPcm]	1 / 23 [9]	1 / 23 [9]	1 / 23 [9]	1 / 23 [9]
Indoor Coil - Fin Type				
Tube Type	MicroChannel	MicroChannel	MicroChannel	MicroChannel
MicroChannel Depth in. [mm]	1 [25]	1 [25]	1 [25]	1 [25]
Face Area sq. ft. [sq. m]	4.8 [0.45]	4.8 [0.45]	4.8 [0.45]	4.8 [0.45]
Rows / FPI [FPcm]	1 / 20 [8]	1 / 20 [8]	1 / 20 [8]	1 / 20 [8]
Refrigerant Control	TX Valves	TX Valves	TX Valves	TX Valves
Drain Connection No./Size in. [mm]	1/0.75 [19.05]	1/0.75 [19.05]	1/0.75 [19.05]	1/0.75 [19.05]
Outdoor Fan - Type				
No. Used/Diameter in. [mm]	1/24 [609.6]	1/24 [609.6]	1/24 [609.6]	1/24 [609.6]
Drive Type/No. Speeds	Direct/1	Direct/1	Direct/1	Direct/1
CFM [L/s]	3680 [1737]	3680 [1737]	3680 [1737]	3680 [1737]
No. Motors/HP	1 at 1/3 HP	1 at 1/3 HP	1 at 1/3 HP	1 at 1/3 HP
Motor RPM	1075	1075	1075	1075
Indoor Fan - Type				
No. Used/Diameter in. [mm]	1/10x10 [254x254]	1/10x10 [254x254]	1/10x10 [254x254]	1/10x10 [254x254]
Drive Type	Belt (Adjustable)	Belt (Adjustable)	Belt (Adjustable)	Belt (Adjustable)
No. Speeds	Single	Single	Single	Single
No. Motors	1	1	1	1
Motor HP	1/2	1/2	1/2	1/2
Motor RPM	1725	1725	1725	1725
Motor Frame Size	48	48	48	48
Filter - Type				
Furnished	Yes	Yes	Yes	Yes
(NO.) Size Recommended in. [mm x mm x mm]	(1)1x16x25 [25x406x635]	(1)1x16x25 [25x406x635]	(1)1x16x25 [25x406x635]	(1)1x16x25 [25x406x635]
Refrigerant Charge Oz. [g]	54 [1531]	54 [1531]	54 [1531]	54 [1531]
Weights				
Net Weight lbs. [kg]	525 [238]	517 [235]	525 [238]	517 [235]
Ship Weight lbs. [kg]	532 [241]	525 [238]	532 [241]	525 [238]

NOTES:

- Cooling Performance is rated at 95° F ambient, 80° F entering dry bulb, 67° F entering wet bulb. Gross capacity does not include the effect of fan motor heat. AHRI capacity is net and includes the effect of fan motor heat. Units are suitable for operation to ±20% of nominal cfm. Units are certified in accordance with the Unitary Air Conditioner Equipment certification program, which is based on AHRI Standard 210/240 or 360.
- EER and/or SEER are rated at AHRI conditions and in accordance with DOE test procedures.
- Heating Performance limit settings and rating data were established and approved under laboratory test conditions using American National Standard Institute standards. Ratings shown are for elevations up to 2000 feet. For elevations above 2000 feet, ratings should be reduced at the rate of 4% for each 1000 feet above sea level.
- Outdoor Sound Rating shown is tested in accordance with AHRI Standard 270.

GENERAL DATA - RKPN MODELS

NOMINAL SIZES 3-5 TONS [10.6-17.6 kW]

Model RKPN- Series	A036JK08	A036JK12	A036YL12	A036YM12
Cooling Performance ¹				Continued ->
Gross Cooling Capacity Btu [kW]	36,200 [10.61]	36,200 [10.61]	36,200 [10.61]	36,200 [10.61]
EER/SEER ²	11.6/14	11.6/14	11.6/14	11.6/14
Nominal CFM/AHRI Rated CFM [L/s]	1200/1250 [566/590]	1200/1250 [566/590]	1200/1250 [566/590]	1200/1250 [566/590]
AHRI Net Cooling Capacity Btu [kW]	34,600 [10.14]	34,600 [10.14]	34,600 [10.14]	34,600 [10.14]
Net Sensible Capacity Btu [kW]	25,300 [7.41]	25,300 [7.41]	25,300 [7.41]	25,300 [7.41]
Net Latent Capacity Btu [kW]	9,300 [2.72]	9,300 [2.72]	9,300 [2.72]	9,300 [2.72]
Net System Power kW	2.95	2.95	2.95	2.95
Heating Performance (Gas) ⁴				
Heating Input Btu [kW]	80,000 [23.44]	120,000 [35.16]	120,000 [35.16]	120,000 [35.16]
Heating Output Btu [kW]	64,000 [18.17]	96,000 [27.54]	97,200 [28.48]	97,200 [28.48]
Temperature Rise Range °F [°C]	30-60 [16.7-33.3]	50-80 [27.8-44.4]	50-80 [27.8-44.4]	50-80 [27.8-44.4]
AFUE %	80	80	80	80
Steady State Efficiency (%)	80	80	81	81
No. Burners	4	6	6	6
No. Stages	1	1	1	1
Gas Connection Pipe Size in. [mm]	0.5 [12.7]	0.5 [12.7]	0.5 [12.7]	0.5 [12.7]
Compressor				
No./Type	1/Scroll	1/Scroll	1/Scroll	1/Scroll
Outdoor Sound Rating (dB) ⁵				
	78	78	78	78
Outdoor Coil - Fin Type				
Tube Type	Louvered	Louvered	Louvered	Louvered
MicroChannel Depth in. [mm]	MicroChannel	MicroChannel	MicroChannel	MicroChannel
Face Area sq. ft. [sq. m]	0.7 [18]	0.7 [18]	0.7 [18]	0.7 [18]
Rows / FPI [FPcm]	13.9 [1.29]	13.9 [1.29]	13.9 [1.29]	13.9 [1.29]
	1 / 23 [9]	1 / 23 [9]	1 / 23 [9]	1 / 23 [9]
Indoor Coil - Fin Type				
Tube Type	Louvered	Louvered	Louvered	Louvered
MicroChannel Depth in. [mm]	MicroChannel	MicroChannel	MicroChannel	MicroChannel
Face Area sq. ft. [sq. m]	1 [25]	1 [25]	1 [25]	1 [25]
Rows / FPI [FPcm]	4.8 [0.45]	4.8 [0.45]	4.8 [0.45]	4.8 [0.45]
	1 / 20 [8]	1 / 20 [8]	1 / 20 [8]	1 / 20 [8]
Refrigerant Control	TX Valves	TX Valves	TX Valves	TX Valves
Drain Connection No./Size in. [mm]	1/0.75 [19.05]	1/0.75 [19.05]	1/0.75 [19.05]	1/0.75 [19.05]
Outdoor Fan - Type				
No. Used/Diameter in. [mm]	Propeller	Propeller	Propeller	Propeller
Drive Type/No. Speeds	1/24 [609.6]	1/24 [609.6]	1/24 [609.6]	1/24 [609.6]
CFM [L/s]	Direct/1	Direct/1	Direct/1	Direct/1
No. Motors/HP	3680 [1737]	3680 [1737]	3680 [1737]	3680 [1737]
Motor RPM	1 at 1/3 HP	1 at 1/3 HP	1 at 1/3 HP	1 at 1/3 HP
	1075	1075	1075	1075
Indoor Fan - Type				
No. Used/Diameter in. [mm]	FC Centrifugal	FC Centrifugal	FC Centrifugal	FC Centrifugal
Drive Type	1/10x10 [254x254]	1/10x10 [254x254]	1/10x10 [254x254]	1/10x10 [254x254]
No. Speeds	Direct	Direct	Belt (Adjustable)	Belt (Adjustable)
No. Motors	Multiple	Multiple	Single	Single
Motor HP	1	1	1	1
Motor RPM	1/2	1/2	3/4	3/4
Motor Frame Size	1075	1075	1725	1725
	48	48	56	56
Filter - Type				
Furnished	Disposable	Disposable	Disposable	Disposable
(NO.) Size Recommended in. [mm x mm x mm]	Yes	Yes	Yes	Yes
	(1)1x16x25 [25x406x635]	(1)1x16x25 [25x406x635]	(1)1x16x25 [25x406x635]	(1)1x16x25 [25x406x635]
	(1)1x16x25 [25x406x635]	(1)1x16x25 [25x406x635]	(1)1x16x25 [25x406x635]	(1)1x16x25 [25x406x635]
Refrigerant Charge Oz. [g]	54 [1531]	54 [1531]	54 [1531]	54 [1531]
Weights				
Net Weight lbs. [kg]	507 [230]	517 [235]	517 [235]	517 [235]
Ship Weight lbs. [kg]	514 [233]	525 [238]	525 [238]	525 [238]

NOTES:

- Cooling Performance is rated at 95° F ambient, 80° F entering dry bulb, 67° F entering wet bulb. Gross capacity does not include the effect of fan motor heat. AHRI capacity is net and includes the effect of fan motor heat. Units are suitable for operation to ±20% of nominal cfm. Units are certified in accordance with the Unitary Air Conditioner Equipment certification program, which is based on AHRI Standard 210/240 or 360.
- EER and/or SEER are rated at AHRI conditions and in accordance with DOE test procedures.
- Heating Performance limit settings and rating data were established and approved under laboratory test conditions using American National Standard Institute standards. Ratings shown are for elevations up to 2000 feet. For elevations above 2000 feet, ratings should be reduced at the rate of 4% for each 1000 feet above sea level.
- Outdoor Sound Rating shown is tested in accordance with AHRI Standard 270.

GENERAL DATA - RKPN MODELS

NOMINAL SIZES 3-5 TONS [10.6-17.6 kW]

Model RKPN- Series	A048CK08	A048CK10	A048CK13	A048CL08
Cooling Performance ¹				Continued ->
Gross Cooling Capacity Btu [kW]	48,000 [14.06]	48,000 [14.06]	48,000 [14.06]	48,000 [14.06]
EER/SEER ²	11.6/14	11.6/14	11.6/14	11.6/14
Nominal CFM/AHRI Rated CFM [L/s]	1600/1500 [755/708]	1600/1500 [755/708]	1600/1500 [755/708]	1600/1500 [755/708]
AHRI Net Cooling Capacity Btu [kW]	46,000 [13.48]	46,000 [13.48]	46,000 [13.48]	46,000 [13.48]
Net Sensible Capacity Btu [kW]	34,000 [9.96]	34,000 [9.96]	34,000 [9.96]	34,000 [9.96]
Net Latent Capacity Btu [kW]	12,000 [3.52]	12,000 [3.52]	12,000 [3.52]	12,000 [3.52]
Net System Power kW	3.93	3.93	3.93	3.93
Heating Performance (Gas) ⁴				
Heating Input Btu [kW]	80,000 [23.44]	100,000 [29.3]	135,000 [39.55]	80,000 [23.44]
Heating Output Btu [kW]	64,800 [18.99]	81,000 [23.73]	109,400 [32.05]	64,800 [18.99]
Temperature Rise Range °F [°C]	30-60 [16.7-33.3]	40-70 [22.2-38.9]	50-80 [27.8-44.4]	30-60 [16.7-33.3]
AFUE %	80	80	80	80
Steady State Efficiency (%)	81	81	81	81
No. Burners	4	5	6	4
No. Stages	1	1	1	1
Gas Connection Pipe Size in. [mm]	0.5 [12.7]	0.5 [12.7]	0.5 [12.7]	0.5 [12.7]
Compressor				
No./Type	1/Scroll	1/Scroll	1/Scroll	1/Scroll
Outdoor Sound Rating (dB) ⁵				
	78	78	78	78
Outdoor Coil - Fin Type				
Tube Type	Louvered	Louvered	Louvered	Louvered
MicroChannel Depth in. [mm]	MicroChannel	MicroChannel	MicroChannel	MicroChannel
Face Area sq. ft. [sq. m]	0.7 [18]	0.7 [18]	0.7 [18]	0.7 [18]
Rows / FPI [FPcm]	16.4 [1.52]	16.4 [1.52]	16.4 [1.52]	16.4 [1.52]
	1 / 23 [9]	1 / 23 [9]	1 / 23 [9]	1 / 23 [9]
Indoor Coil - Fin Type				
Tube Type	Louvered	Louvered	Louvered	Louvered
MicroChannel Depth in. [mm]	MicroChannel	MicroChannel	MicroChannel	MicroChannel
Face Area sq. ft. [sq. m]	1.3 [32]	1.3 [32]	1.3 [32]	1.3 [32]
Rows / FPI [FPcm]	4.8 [0.45]	4.8 [0.45]	4.8 [0.45]	4.8 [0.45]
	1 / 20 [8]	1 / 20 [8]	1 / 20 [8]	1 / 20 [8]
Refrigerant Control	TX Valves	TX Valves	TX Valves	TX Valves
Drain Connection No./Size in. [mm]	1/0.75 [19.05]	1/0.75 [19.05]	1/0.75 [19.05]	1/0.75 [19.05]
Outdoor Fan - Type				
No. Used/Diameter in. [mm]	Propeller	Propeller	Propeller	Propeller
Drive Type/No. Speeds	1/24 [609.6]	1/24 [609.6]	1/24 [609.6]	1/24 [609.6]
CFM [L/s]	Direct/1	Direct/1	Direct/1	Direct/1
No. Motors/HP	3680 [1737]	3680 [1737]	3680 [1737]	3680 [1737]
Motor RPM	1 at 1/3 HP	1 at 1/3 HP	1 at 1/3 HP	1 at 1/3 HP
	1075	1075	1075	1075
Indoor Fan - Type				
No. Used/Diameter in. [mm]	FC Centrifugal	FC Centrifugal	FC Centrifugal	FC Centrifugal
Drive Type	1/10x10 [254x254]	1/10x10 [254x254]	1/10x10 [254x254]	1/10x10 [254x254]
No. Speeds	Direct	Direct	Direct	Belt (Adjustable)
No. Motors	Multiple	Multiple	Multiple	Single
Motor HP	1	1	1	1
Motor RPM	1/2	1/2	1/2	1/2
Motor Frame Size	1075	1075	1075	1725
	48	48	48	48
Filter - Type				
Furnished	Disposable	Disposable	Disposable	Disposable
(NO.) Size Recommended in. [mm x mm x mm]	Yes	Yes	Yes	Yes
	(1)1x16x25 [25x406x635]	(1)1x16x25 [25x406x635]	(1)1x16x25 [25x406x635]	(1)1x16x25 [25x406x635]
	(1)1x16x25 [25x406x635]	(1)1x16x25 [25x406x635]	(1)1x16x25 [25x406x635]	(1)1x16x25 [25x406x635]
Refrigerant Charge Oz. [g]	68 [1928]	68 [1928]	68 [1928]	68 [1928]
Weights				
Net Weight lbs. [kg]	531 [241]	536 [243]	541 [245]	549 [249]
Ship Weight lbs. [kg]	538 [244]	543 [246]	548 [249]	556 [252]

NOTES:

- Cooling Performance is rated at 95° F ambient, 80° F entering dry bulb, 67° F entering wet bulb. Gross capacity does not include the effect of fan motor heat. AHRI capacity is net and includes the effect of fan motor heat. Units are suitable for operation to ±20% of nominal cfm. Units are certified in accordance with the Unitary Air Conditioner Equipment certification program, which is based on AHRI Standard 210/240 or 360.
- EER and/or SEER are rated at AHRI conditions and in accordance with DOE test procedures.
- Heating Performance limit settings and rating data were established and approved under laboratory test conditions using American National Standard Institute standards. Ratings shown are for elevations up to 2000 feet. For elevations above 2000 feet, ratings should be reduced at the rate of 4% for each 1000 feet above sea level.
- Outdoor Sound Rating shown is tested in accordance with AHRI Standard 270.

GENERAL DATA - RKP models

NOMINAL SIZES 3-5 TONS [10.6-17.6 kW]

Model RKP- Series	A048CL10	A048CL13	A048CM08	A048CM10
Cooling Performance ¹				Continued ->
Gross Cooling Capacity Btu [kW]	48,000 [14.06]	48,000 [14.06]	48,000 [14.06]	48,000 [14.06]
EER/SEER ²	11.6/14	11.6/14	11.6/14	11.6/14
Nominal CFM/AHRI Rated CFM [L/s]	1600/1500 [755/708]	1600/1500 [755/708]	1600/1500 [755/708]	1600/1500 [755/708]
AHRI Net Cooling Capacity Btu [kW]	46,000 [13.48]	46,000 [13.48]	46,000 [13.48]	46,000 [13.48]
Net Sensible Capacity Btu [kW]	34,000 [9.96]	34,000 [9.96]	34,000 [9.96]	34,000 [9.96]
Net Latent Capacity Btu [kW]	12,000 [3.52]	12,000 [3.52]	12,000 [3.52]	12,000 [3.52]
Net System Power kW	3.93	3.93	3.93	3.93
Heating Performance (Gas) ⁴				
Heating Input Btu [kW]	100,000 [29.3]	135,000 [39.55]	80,000 [23.44]	100,000 [29.3]
Heating Output Btu [kW]	81,000 [23.73]	109,400 [32.05]	64,800 [18.99]	81,000 [23.73]
Temperature Rise Range °F [°C]	40-70 [22.2-38.9]	50-80 [27.8-44.4]	30-60 [16.7-33.3]	40-70 [22.2-38.9]
AFUE %	80	80	80	80
Steady State Efficiency (%)	81	81	81	81
No. Burners	5	6	4	5
No. Stages	1	1	1	1
Gas Connection Pipe Size in. [mm]	0.5 [12.7]	0.5 [12.7]	0.5 [12.7]	0.5 [12.7]
Compressor				
No./Type	1/Scroll	1/Scroll	1/Scroll	1/Scroll
Outdoor Sound Rating (dB) ⁵				
	78	78	78	78
Outdoor Coil - Fin Type				
Tube Type	Louvered	Louvered	Louvered	Louvered
MicroChannel Depth in. [mm]	MicroChannel	MicroChannel	MicroChannel	MicroChannel
Face Area sq. ft. [sq. m]	0.7 [18]	0.7 [18]	0.7 [18]	0.7 [18]
Rows / FPI [FPcm]	16.4 [1.52]	16.4 [1.52]	16.4 [1.52]	16.4 [1.52]
	1 / 23 [9]	1 / 23 [9]	1 / 23 [9]	1 / 23 [9]
Indoor Coil - Fin Type				
Tube Type	Louvered	Louvered	Louvered	Louvered
MicroChannel Depth in. [mm]	MicroChannel	MicroChannel	MicroChannel	MicroChannel
Face Area sq. ft. [sq. m]	1.3 [32]	1.3 [32]	1.3 [32]	1.3 [32]
Rows / FPI [FPcm]	4.8 [0.45]	4.8 [0.45]	4.8 [0.45]	4.8 [0.45]
	1 / 20 [8]	1 / 20 [8]	1 / 20 [8]	1 / 20 [8]
Refrigerant Control	TX Valves	TX Valves	TX Valves	TX Valves
Drain Connection No./Size in. [mm]	1/0.75 [19.05]	1/0.75 [19.05]	1/0.75 [19.05]	1/0.75 [19.05]
Outdoor Fan - Type				
No. Used/Diameter in. [mm]	Propeller	Propeller	Propeller	Propeller
Drive Type/No. Speeds	1/24 [609.6]	1/24 [609.6]	1/24 [609.6]	1/24 [609.6]
CFM [L/s]	Direct/1	Direct/1	Direct/1	Direct/1
No. Motors/HP	3680 [1737]	3680 [1737]	3680 [1737]	3680 [1737]
Motor RPM	1 at 1/3 HP	1 at 1/3 HP	1 at 1/3 HP	1 at 1/3 HP
	1075	1075	1075	1075
Indoor Fan - Type				
No. Used/Diameter in. [mm]	FC Centrifugal	FC Centrifugal	FC Centrifugal	FC Centrifugal
Drive Type	1/10x10 [254x254]	1/10x10 [254x254]	1/10x10 [254x254]	1/10x10 [254x254]
No. Speeds	Belt (Adjustable)	Belt (Adjustable)	Belt (Adjustable)	Belt (Adjustable)
No. Motors	Single	Single	Single	Single
Motor HP	1	1	1	1
Motor RPM	1/2	1/2	3/4	3/4
Motor Frame Size	1725	1725	1725	1725
	48	48	56	56
Filter - Type				
Furnished	Disposable	Disposable	Disposable	Disposable
(NO.) Size Recommended in. [mm x mm x mm]	Yes	Yes	Yes	Yes
	(1)1x16x25 [25x406x635]	(1)1x16x25 [25x406x635]	(1)1x16x25 [25x406x635]	(1)1x16x25 [25x406x635]
	(1)1x16x25 [25x406x635]	(1)1x16x25 [25x406x635]	(1)1x16x25 [25x406x635]	(1)1x16x25 [25x406x635]
Refrigerant Charge Oz. [g]	68 [1928]	68 [1928]	68 [1928]	68 [1928]
Weights				
Net Weight lbs. [kg]	554 [251]	559 [254]	550 [249]	555 [252]
Ship Weight lbs. [kg]	561 [254]	566 [257]	557 [253]	562 [255]

NOTES:

- Cooling Performance is rated at 95° F ambient, 80° F entering dry bulb, 67° F entering wet bulb. Gross capacity does not include the effect of fan motor heat. AHRI capacity is net and includes the effect of fan motor heat. Units are suitable for operation to ±20% of nominal cfm. Units are certified in accordance with the Unitary Air Conditioner Equipment certification program, which is based on AHRI Standard 210/240 or 360.
- EER and/or SEER are rated at AHRI conditions and in accordance with DOE test procedures.
- Heating Performance limit settings and rating data were established and approved under laboratory test conditions using American National Standard Institute standards. Ratings shown are for elevations up to 2000 feet. For elevations above 2000 feet, ratings should be reduced at the rate of 4% for each 1000 feet above sea level.
- Outdoor Sound Rating shown is tested in accordance with AHRI Standard 270.

GENERAL DATA - RKPN MODELS

NOMINAL SIZES 3-5 TONS [10.6-17.6 kW]

Model RKPN- Series	A048CM13	A048DK08	A048DK10	A048DK13
Cooling Performance ¹				Continued ->
Gross Cooling Capacity Btu [kW]	48,000 [14.06]	48,000 [14.06]	48,000 [14.06]	48,000 [14.06]
EER/SEER ²	11.6/14	11.6/14	11.6/14	11.6/14
Nominal CFM/AHRI Rated CFM [L/s]	1600/1500 [755/708]	1600/1500 [755/708]	1600/1500 [755/708]	1600/1500 [755/708]
AHRI Net Cooling Capacity Btu [kW]	46,000 [13.48]	46,000 [13.48]	46,000 [13.48]	46,000 [13.48]
Net Sensible Capacity Btu [kW]	34,000 [9.96]	34,000 [9.96]	34,000 [9.96]	34,000 [9.96]
Net Latent Capacity Btu [kW]	12,000 [3.52]	12,000 [3.52]	12,000 [3.52]	12,000 [3.52]
Net System Power kW	3.93	3.93	3.93	3.93
<hr/>				
Heating Performance (Gas) ⁴				
Heating Input Btu [kW]	135,000 [39.55]	80,000 [23.44]	100,000 [29.3]	135,000 [39.55]
Heating Output Btu [kW]	109,350 [32.04]	64,800 [18.99]	81,000 [23.73]	109,400 [32.05]
Temperature Rise Range °F [°C]	50-80 [27.8-44.4]	30-60 [16.7-33.3]	40-70 [22.2-38.9]	50-80 [27.8-44.4]
AFUE %	80	80	80	80
Steady State Efficiency (%)	81	81	81	81
No. Burners	6	4	5	6
No. Stages	1	1	1	1
Gas Connection Pipe Size in. [mm]	0.5 [12.7]	0.5 [12.7]	0.5 [12.7]	0.5 [12.7]
<hr/>				
Compressor				
No./Type	1/Scroll	1/Scroll	1/Scroll	1/Scroll
<hr/>				
Outdoor Sound Rating (dB) ⁵	78	78	78	78
<hr/>				
Outdoor Coil - Fin Type				
Tube Type	MicroChannel	MicroChannel	MicroChannel	MicroChannel
MicroChannel Depth in. [mm]	0.7 [18]	0.7 [18]	0.7 [18]	0.7 [18]
Face Area sq. ft. [sq. m]	16.4 [1.52]	16.4 [1.52]	16.4 [1.52]	16.4 [1.52]
Rows / FPI [FPcm]	1 / 23 [9]	1 / 23 [9]	1 / 23 [9]	1 / 23 [9]
<hr/>				
Indoor Coil - Fin Type				
Tube Type	MicroChannel	MicroChannel	MicroChannel	MicroChannel
MicroChannel Depth in. [mm]	1.3 [32]	1.3 [32]	1.3 [32]	1.3 [32]
Face Area sq. ft. [sq. m]	4.8 [0.45]	4.8 [0.45]	4.8 [0.45]	4.8 [0.45]
Rows / FPI [FPcm]	1 / 20 [8]	1 / 20 [8]	1 / 20 [8]	1 / 20 [8]
Refrigerant Control	TX Valves	TX Valves	TX Valves	TX Valves
Drain Connection No./Size in. [mm]	1/0.75 [19.05]	1/0.75 [19.05]	1/0.75 [19.05]	1/0.75 [19.05]
<hr/>				
Outdoor Fan - Type				
No. Used/Diameter in. [mm]	1/24 [609.6]	1/24 [609.6]	1/24 [609.6]	1/24 [609.6]
Drive Type/No. Speeds	Direct/1	Direct/1	Direct/1	Direct/1
CFM [L/s]	3680 [1737]	3680 [1737]	3680 [1737]	3680 [1737]
No. Motors/HP	1 at 1/3 HP	1 at 1/3 HP	1 at 1/3 HP	1 at 1/3 HP
Motor RPM	1075	1075	1075	1075
<hr/>				
Indoor Fan - Type				
No. Used/Diameter in. [mm]	1/10x10 [254x254]	1/10x10 [254x254]	1/10x10 [254x254]	1/10x10 [254x254]
Drive Type	Belt (Adjustable)	Direct	Direct	Direct
No. Speeds	Single	Multiple	Multiple	Multiple
No. Motors	1	1	1	1
Motor HP	3/4	1/2	1/2	1/2
Motor RPM	1725	1075	1075	1075
Motor Frame Size	56	48	48	48
<hr/>				
Filter - Type				
Furnished	Yes	Yes	Yes	Yes
(NO.) Size Recommended in. [mm x mm x mm]	(1)1x16x25 [25x406x635]	(1)1x16x25 [25x406x635]	(1)1x16x25 [25x406x635]	(1)1x16x25 [25x406x635]
<hr/>				
Refrigerant Charge Oz. [g]	68 [1928]	68 [1928]	68 [1928]	68 [1928]
<hr/>				
Weights				
Net Weight lbs. [kg]	560 [254]	531 [241]	536 [243]	541 [245]
Ship Weight lbs. [kg]	567 [257]	538 [244]	543 [246]	548 [249]

NOTES:

- Cooling Performance is rated at 95° F ambient, 80° F entering dry bulb, 67° F entering wet bulb. Gross capacity does not include the effect of fan motor heat. AHRI capacity is net and includes the effect of fan motor heat. Units are suitable for operation to ±20% of nominal cfm. Units are certified in accordance with the Unitary Air Conditioner Equipment certification program, which is based on AHRI Standard 210/240 or 360.
- EER and/or SEER are rated at AHRI conditions and in accordance with DOE test procedures.
- Heating Performance limit settings and rating data were established and approved under laboratory test conditions using American National Standard Institute standards. Ratings shown are for elevations up to 2000 feet. For elevations above 2000 feet, ratings should be reduced at the rate of 4% for each 1000 feet above sea level.
- Outdoor Sound Rating shown is tested in accordance with AHRI Standard 270.

GENERAL DATA - RKP models

NOMINAL SIZES 3-5 TONS [10.6-17.6 kW]

Model RKP- Series	A048DL08	A048DL10	A048DL13	A048DM08
Cooling Performance ¹				Continued ->
Gross Cooling Capacity Btu [kW]	48,000 [14.06]	48,000 [14.06]	48,000 [14.06]	48,000 [14.06]
EER/SEER ²	11.6/14	11.6/14	11.6/14	11.6/14
Nominal CFM/AHRI Rated CFM [L/s]	1600/1500 [755/708]	1600/1500 [755/708]	1600/1500 [755/708]	1600/1500 [755/708]
AHRI Net Cooling Capacity Btu [kW]	46,000 [13.48]	46,000 [13.48]	46,000 [13.48]	46,000 [13.48]
Net Sensible Capacity Btu [kW]	34,000 [9.96]	34,000 [9.96]	34,000 [9.96]	34,000 [9.96]
Net Latent Capacity Btu [kW]	12,000 [3.52]	12,000 [3.52]	12,000 [3.52]	12,000 [3.52]
Net System Power kW	3.93	3.93	3.93	3.93
Heating Performance (Gas) ⁴				
Heating Input Btu [kW]	80,000 [23.44]	100,000 [29.3]	135,000 [39.55]	80,000 [23.44]
Heating Output Btu [kW]	64,800 [18.99]	81,000 [23.73]	109,400 [32.05]	64,800 [18.99]
Temperature Rise Range °F [°C]	30-60 [16.7-33.3]	40-70 [22.2-38.9]	50-80 [27.8-44.4]	30-60 [16.7-33.3]
AFUE %	80	80	80	80
Steady State Efficiency (%)	81	81	81	81
No. Burners	4	5	6	4
No. Stages	1	1	1	1
Gas Connection Pipe Size in. [mm]	0.5 [12.7]	0.5 [12.7]	0.5 [12.7]	0.5 [12.7]
Compressor				
No./Type	1/Scroll	1/Scroll	1/Scroll	1/Scroll
Outdoor Sound Rating (dB) ⁵				
	78	78	78	78
Outdoor Coil - Fin Type				
Tube Type	Louvered	Louvered	Louvered	Louvered
MicroChannel Depth in. [mm]	MicroChannel	MicroChannel	MicroChannel	MicroChannel
Face Area sq. ft. [sq. m]	0.7 [18]	0.7 [18]	0.7 [18]	0.7 [18]
Rows / FPI [FPcm]	16.4 [1.52]	16.4 [1.52]	16.4 [1.52]	16.4 [1.52]
	1 / 23 [9]	1 / 23 [9]	1 / 23 [9]	1 / 23 [9]
Indoor Coil - Fin Type				
Tube Type	Louvered	Louvered	Louvered	Louvered
MicroChannel Depth in. [mm]	MicroChannel	MicroChannel	MicroChannel	MicroChannel
Face Area sq. ft. [sq. m]	1.3 [32]	1.3 [32]	1.3 [32]	1.3 [32]
Rows / FPI [FPcm]	4.8 [0.45]	4.8 [0.45]	4.8 [0.45]	4.8 [0.45]
	1 / 20 [8]	1 / 20 [8]	1 / 20 [8]	1 / 20 [8]
Refrigerant Control	TX Valves	TX Valves	TX Valves	TX Valves
Drain Connection No./Size in. [mm]	1/0.75 [19.05]	1/0.75 [19.05]	1/0.75 [19.05]	1/0.75 [19.05]
Outdoor Fan - Type				
No. Used/Diameter in. [mm]	Propeller	Propeller	Propeller	Propeller
Drive Type/No. Speeds	1/24 [609.6]	1/24 [609.6]	1/24 [609.6]	1/24 [609.6]
CFM [L/s]	Direct/1	Direct/1	Direct/1	Direct/1
No. Motors/HP	3680 [1737]	3680 [1737]	3680 [1737]	3680 [1737]
Motor RPM	1 at 1/3 HP	1 at 1/3 HP	1 at 1/3 HP	1 at 1/3 HP
	1075	1075	1075	1075
Indoor Fan - Type				
No. Used/Diameter in. [mm]	FC Centrifugal	FC Centrifugal	FC Centrifugal	FC Centrifugal
Drive Type	1/10x10 [254x254]	1/10x10 [254x254]	1/10x10 [254x254]	1/10x10 [254x254]
No. Speeds	Belt (Adjustable)	Belt (Adjustable)	Belt (Adjustable)	Belt (Adjustable)
No. Motors	Single	Single	Single	Single
Motor HP	1	1	1	1
Motor RPM	1/2	1/2	1/2	3/4
Motor Frame Size	1725	1725	1725	1725
	48	48	48	56
Filter - Type				
Furnished	Disposable	Disposable	Disposable	Disposable
(NO.) Size Recommended in. [mm x mm x mm]	Yes	Yes	Yes	Yes
	(1)1x16x25 [25x406x635]	(1)1x16x25 [25x406x635]	(1)1x16x25 [25x406x635]	(1)1x16x25 [25x406x635]
	(1)1x16x25 [25x406x635]	(1)1x16x25 [25x406x635]	(1)1x16x25 [25x406x635]	(1)1x16x25 [25x406x635]
Refrigerant Charge Oz. [g]	68 [1928]	68 [1928]	68 [1928]	68 [1928]
Weights				
Net Weight lbs. [kg]	549 [249]	554 [251]	559 [254]	550 [249]
Ship Weight lbs. [kg]	556 [252]	561 [254]	566 [257]	557 [253]

NOTES:

- Cooling Performance is rated at 95° F ambient, 80° F entering dry bulb, 67° F entering wet bulb. Gross capacity does not include the effect of fan motor heat. AHRI capacity is net and includes the effect of fan motor heat. Units are suitable for operation to ±20% of nominal cfm. Units are certified in accordance with the Unitary Air Conditioner Equipment certification program, which is based on AHRI Standard 210/240 or 360.
- EER and/or SEER are rated at AHRI conditions and in accordance with DOE test procedures.
- Heating Performance limit settings and rating data were established and approved under laboratory test conditions using American National Standard Institute standards. Ratings shown are for elevations up to 2000 feet. For elevations above 2000 feet, ratings should be reduced at the rate of 4% for each 1000 feet above sea level.
- Outdoor Sound Rating shown is tested in accordance with AHRI Standard 270.

GENERAL DATA - RKPN MODELS

NOMINAL SIZES 3-5 TONS [10.6-17.6 kW]

Model RKPN- Series	A048DM10	A048DM13	A048JK08	A048JK10
Cooling Performance ¹				Continued ->
Gross Cooling Capacity Btu [kW]	48,000 [14.06]	48,000 [14.06]	48,000 [14.06]	48,000 [14.06]
EER/SEER ²	11.6/14	11.6/14	11.6/14	11.6/14
Nominal CFM/AHRI Rated CFM [L/s]	1600/1500 [755/708]	1600/1500 [755/708]	1600/1500 [755/708]	1600/1500 [755/708]
AHRI Net Cooling Capacity Btu [kW]	46,000 [13.48]	46,000 [13.48]	46,000 [13.48]	46,000 [13.48]
Net Sensible Capacity Btu [kW]	34,000 [9.96]	34,000 [9.96]	34,000 [9.96]	34,000 [9.96]
Net Latent Capacity Btu [kW]	12,000 [3.52]	12,000 [3.52]	12,000 [3.52]	12,000 [3.52]
Net System Power kW	3.93	3.93	3.93	3.93
Heating Performance (Gas)⁴				
Heating Input Btu [kW]	100,000 [29.3]	135,000 [39.55]	80,000 [23.44]	100,000 [29.3]
Heating Output Btu [kW]	81,000 [23.73]	109,350 [32.04]	64,000 [18.17]	80,000 [22.85]
Temperature Rise Range °F [°C]	40-70 [22.2-38.9]	50-80 [27.8-44.4]	30-60 [16.7-33.3]	40-70 [22.2-38.9]
AFUE %	80	80	80	80
Steady State Efficiency (%)	81	81	80	80
No. Burners	5	6	4	5
No. Stages	1	1	1	1
Gas Connection Pipe Size in. [mm]	0.5 [12.7]	0.5 [12.7]	0.5 [12.7]	0.5 [12.7]
Compressor				
No./Type	1/Scroll	1/Scroll	1/Scroll	1/Scroll
Outdoor Sound Rating (dB)⁵				
Outdoor Sound Rating (dB) ⁵	78	78	78	78
Outdoor Coil - Fin Type				
Tube Type	Louvered	Louvered	Louvered	Louvered
MicroChannel Depth in. [mm]	MicroChannel	MicroChannel	MicroChannel	MicroChannel
Face Area sq. ft. [sq. m]	0.7 [18]	0.7 [18]	0.7 [18]	0.7 [18]
Rows / FPI [FPcm]	16.4 [1.52]	16.4 [1.52]	16.4 [1.52]	16.4 [1.52]
Rows / FPI [FPcm]	1 / 23 [9]	1 / 23 [9]	1 / 23 [9]	1 / 23 [9]
Indoor Coil - Fin Type				
Tube Type	Louvered	Louvered	Louvered	Louvered
MicroChannel Depth in. [mm]	MicroChannel	MicroChannel	MicroChannel	MicroChannel
Face Area sq. ft. [sq. m]	1.3 [32]	1.3 [32]	1.3 [32]	1.3 [32]
Rows / FPI [FPcm]	4.8 [0.45]	4.8 [0.45]	4.8 [0.45]	4.8 [0.45]
Rows / FPI [FPcm]	1 / 20 [8]	1 / 20 [8]	1 / 20 [8]	1 / 20 [8]
Refrigerant Control	TX Valves	TX Valves	TX Valves	TX Valves
Drain Connection No./Size in. [mm]	1/0.75 [19.05]	1/0.75 [19.05]	1/0.75 [19.05]	1/0.75 [19.05]
Outdoor Fan - Type				
Propeller	Propeller	Propeller	Propeller	Propeller
No. Used/Diameter in. [mm]	1/24 [609.6]	1/24 [609.6]	1/24 [609.6]	1/24 [609.6]
Drive Type/No. Speeds	Direct/1	Direct/1	Direct/1	Direct/1
CFM [L/s]	3680 [1737]	3680 [1737]	3680 [1737]	3680 [1737]
No. Motors/HP	1 at 1/3 HP	1 at 1/3 HP	1 at 1/3 HP	1 at 1/3 HP
Motor RPM	1075	1075	1075	1075
Indoor Fan - Type				
FC Centrifugal	FC Centrifugal	FC Centrifugal	FC Centrifugal	FC Centrifugal
No. Used/Diameter in. [mm]	1/10x10 [254x254]	1/10x10 [254x254]	1/10x10 [254x254]	1/10x10 [254x254]
Drive Type	Belt (Adjustable)	Belt (Adjustable)	Direct	Direct
No. Speeds	Single	Single	Multiple	Multiple
No. Motors	1	1	1	1
Motor HP	3/4	3/4	1/2	1/2
Motor RPM	1725	1725	1075	1075
Motor Frame Size	56	56	48	48
Filter - Type				
Disposable	Disposable	Disposable	Disposable	Disposable
Furnished	Yes	Yes	Yes	Yes
(NO.) Size Recommended in. [mm x mm x mm]	(1)1x16x25 [25x406x635]	(1)1x16x25 [25x406x635]	(1)1x16x25 [25x406x635]	(1)1x16x25 [25x406x635]
Refrigerant Charge Oz. [g]	(1)1x16x25 [25x406x635]	(1)1x16x25 [25x406x635]	(1)1x16x25 [25x406x635]	(1)1x16x25 [25x406x635]
Refrigerant Charge Oz. [g]	68 [1928]	68 [1928]	68 [1928]	68 [1928]
Weights				
Net Weight lbs. [kg]	555 [252]	560 [254]	531 [241]	536 [243]
Ship Weight lbs. [kg]	562 [255]	567 [257]	538 [244]	543 [246]

NOTES:

- Cooling Performance is rated at 95° F ambient, 80° F entering dry bulb, 67° F entering wet bulb. Gross capacity does not include the effect of fan motor heat. AHRI capacity is net and includes the effect of fan motor heat. Units are suitable for operation to ±20% of nominal cfm. Units are certified in accordance with the Unitary Air Conditioner Equipment certification program, which is based on AHRI Standard 210/240 or 360.
- EER and/or SEER are rated at AHRI conditions and in accordance with DOE test procedures.
- Heating Performance limit settings and rating data were established and approved under laboratory test conditions using American National Standard Institute standards. Ratings shown are for elevations up to 2000 feet. For elevations above 2000 feet, ratings should be reduced at the rate of 4% for each 1000 feet above sea level.
- Outdoor Sound Rating shown is tested in accordance with AHRI Standard 270.

GENERAL DATA - RKP models

NOMINAL SIZES 3-5 TONS [10.6-17.6 kW]

Model RKP- Series	A048JK13	A048YL13	A048YM13	A060CK10
Cooling Performance ¹				Continued ->
Gross Cooling Capacity Btu [kW]	48,000 [14.06]	48,000 [14.06]	48,000 [14.06]	60,000 [17.58]
EER/SEER ²	11.6/14	11.6/14	11.6/14	11.6/14
Nominal CFM/AHRI Rated CFM [L/s]	1600/1500 [755/708]	1600/1500 [755/708]	1600/1500 [755/708]	2000/1800 [944/849]
AHRI Net Cooling Capacity Btu [kW]	46,000 [13.48]	46,000 [13.48]	46,000 [13.48]	58,500 [17.14]
Net Sensible Capacity Btu [kW]	34,000 [9.96]	34,000 [9.96]	34,000 [9.96]	41,700 [12.22]
Net Latent Capacity Btu [kW]	12,000 [3.52]	12,000 [3.52]	12,000 [3.52]	16,800 [4.92]
Net System Power kW	3.93	3.93	3.93	4.95
Heating Performance (Gas) ⁴				
Heating Input Btu [kW]	135,000 [39.55]	135,000 [39.55]	135,000 [39.55]	100,000 [29.3]
Heating Output Btu [kW]	106,000 [31.06]	109,400 [32.05]	109,400 [32.05]	81,000 [23.73]
Temperature Rise Range °F [°C]	50-80 [27.8-44.4]	50-80 [27.8-44.4]	50-80 [27.8-44.4]	25-55 [13.9-30.6]
AFUE %	80	80	80	80
Steady State Efficiency (%)	80	81	81	81
No. Burners	6	6	6	5
No. Stages	1	1	1	1
Gas Connection Pipe Size in. [mm]	0.5 [12.7]	0.5 [12.7]	0.5 [12.7]	0.5 [12.7]
Compressor				
No./Type	1/Scroll	1/Scroll	1/Scroll	1/Scroll
Outdoor Sound Rating (dB) ⁵				
	78	78	78	83
Outdoor Coil - Fin Type				
Tube Type	Louvered	Louvered	Louvered	Louvered
MicroChannel Depth in. [mm]	MicroChannel	MicroChannel	MicroChannel	MicroChannel
Face Area sq. ft. [sq. m]	0.7 [18]	0.7 [18]	0.7 [18]	0.7 [18]
Rows / FPI [FPcm]	16.4 [1.52]	16.4 [1.52]	16.4 [1.52]	16.4 [1.52]
	1 / 23 [9]	1 / 23 [9]	1 / 23 [9]	1 / 23 [9]
Indoor Coil - Fin Type				
Tube Type	Louvered	Louvered	Louvered	Louvered
MicroChannel Depth in. [mm]	MicroChannel	MicroChannel	MicroChannel	MicroChannel
Face Area sq. ft. [sq. m]	1.3 [32]	1.3 [32]	1.3 [32]	1.3 [32]
Rows / FPI [FPcm]	4.8 [0.45]	4.8 [0.45]	4.8 [0.45]	4.8 [0.45]
	1 / 20 [8]	1 / 20 [8]	1 / 20 [8]	1 / 20 [8]
Refrigerant Control	TX Valves	TX Valves	TX Valves	TX Valves
Drain Connection No./Size in. [mm]	1/0.75 [19.05]	1/0.75 [19.05]	1/0.75 [19.05]	1/0.75 [19.05]
Outdoor Fan - Type				
No. Used/Diameter in. [mm]	Propeller	Propeller	Propeller	Propeller
Drive Type/No. Speeds	1/24 [609.6]	1/24 [609.6]	1/24 [609.6]	1/24 [609.6]
CFM [L/s]	Direct/1	Direct/1	Direct/1	Direct/1
No. Motors/HP	3680 [1737]	3680 [1737]	3680 [1737]	3930 [1855]
Motor RPM	1 at 1/3 HP	1 at 1/3 HP	1 at 1/3 HP	1 at 1/3 HP
	1075	1075	1075	1075
Indoor Fan - Type				
No. Used/Diameter in. [mm]	FC Centrifugal	FC Centrifugal	FC Centrifugal	FC Centrifugal
Drive Type	1/10x10 [254x254]	1/10x10 [254x254]	1/10x10 [254x254]	1/10x10 [254x254]
No. Speeds	Direct	Belt (Adjustable)	Belt (Adjustable)	Direct
No. Motors	Multiple	Single	Single	Multiple
Motor HP	1	1	1	1
Motor RPM	1/2	3/4	3/4	1
Motor Frame Size	1075	1725	1725	1075
	48	56	56	48
Filter - Type				
Furnished	Disposable	Disposable	Disposable	Disposable
(NO.) Size Recommended in. [mm x mm x mm]	Yes	Yes	Yes	Yes
	(1)1x16x25 [25x406x635]	(1)1x16x25 [25x406x635]	(1)1x16x25 [25x406x635]	(1)1x16x25 [25x406x635]
	(1)1x16x25 [25x406x635]	(1)1x16x25 [25x406x635]	(1)1x16x25 [25x406x635]	(1)1x16x25 [25x406x635]
Refrigerant Charge Oz. [g]	68 [1928]	68 [1928]	68 [1928]	63 [1786]
Weights				
Net Weight lbs. [kg]	541 [245]	555 [252]	560 [254]	550 [249]
Ship Weight lbs. [kg]	548 [249]	562 [255]	567 [257]	557 [253]

NOTES:

- Cooling Performance is rated at 95° F ambient, 80° F entering dry bulb, 67° F entering wet bulb. Gross capacity does not include the effect of fan motor heat. AHRI capacity is net and includes the effect of fan motor heat. Units are suitable for operation to ±20% of nominal cfm. Units are certified in accordance with the Unitary Air Conditioner Equipment certification program, which is based on AHRI Standard 210/240 or 360.
- EER and/or SEER are rated at AHRI conditions and in accordance with DOE test procedures.
- Heating Performance limit settings and rating data were established and approved under laboratory test conditions using American National Standard Institute standards. Ratings shown are for elevations up to 2000 feet. For elevations above 2000 feet, ratings should be reduced at the rate of 4% for each 1000 feet above sea level.
- Outdoor Sound Rating shown is tested in accordance with AHRI Standard 270.

GENERAL DATA - RKPN MODELS

NOMINAL SIZES 3-5 TONS [10.6-17.6 kW]

Model RKPN- Series	A060CK13	A060CL10	A060CL13	A060CM10
Cooling Performance ¹				Continued ->
Gross Cooling Capacity Btu [kW]	60,000 [17.58]	60,000 [17.58]	60,000 [17.58]	60,000 [17.58]
EER/SEER ²	11.6/14	11.6/14	11.6/14	11.6/14
Nominal CFM/AHRI Rated CFM [L/s]	2000/1800 [944/849]	2000/1800 [944/849]	2000/1800 [944/849]	2000/1800 [944/849]
AHRI Net Cooling Capacity Btu [kW]	58,500 [17.14]	58,500 [17.14]	58,500 [17.14]	58,500 [17.14]
Net Sensible Capacity Btu [kW]	41,700 [12.22]	41,700 [12.22]	41,700 [12.22]	41,700 [12.22]
Net Latent Capacity Btu [kW]	16,800 [4.92]	16,800 [4.92]	16,800 [4.92]	16,800 [4.92]
Net System Power kW	4.95	4.95	4.95	4.95
<hr/>				
Heating Performance (Gas) ⁴				
Heating Input Btu [kW]	135,000 [39.55]	100,000 [29.3]	135,000 [39.55]	100,000 [29.3]
Heating Output Btu [kW]	109,400 [32.05]	81,000 [23.73]	109,400 [32.05]	81,000 [23.73]
Temperature Rise Range °F [°C]	40-70 [22.2-38.9]	25-55 [13.9-30.6]	40-70 [22.2-38.9]	25-55 [13.9-30.6]
AFUE %	80	80	80	80
Steady State Efficiency (%)	81	81	81	81
No. Burners	6	5	6	5
No. Stages	1	1	1	1
Gas Connection Pipe Size in. [mm]	0.5 [12.7]	0.5 [12.7]	0.5 [12.7]	0.5 [12.7]
<hr/>				
Compressor				
No./Type	1/Scroll	1/Scroll	1/Scroll	1/Scroll
<hr/>				
Outdoor Sound Rating (dB) ⁵	83	83	83	83
<hr/>				
Outdoor Coil - Fin Type				
Tube Type	MicroChannel	MicroChannel	MicroChannel	MicroChannel
MicroChannel Depth in. [mm]	0.7 [18]	0.7 [18]	0.7 [18]	0.7 [18]
Face Area sq. ft. [sq. m]	16.4 [1.52]	16.4 [1.52]	16.4 [1.52]	16.4 [1.52]
Rows / FPI [FPcm]	1 / 23 [9]	1 / 23 [9]	1 / 23 [9]	1 / 23 [9]
<hr/>				
Indoor Coil - Fin Type				
Tube Type	MicroChannel	MicroChannel	MicroChannel	MicroChannel
MicroChannel Depth in. [mm]	1.3 [32]	1.3 [32]	1.3 [32]	1.3 [32]
Face Area sq. ft. [sq. m]	4.8 [0.45]	4.8 [0.45]	4.8 [0.45]	4.8 [0.45]
Rows / FPI [FPcm]	1 / 20 [8]	1 / 20 [8]	1 / 20 [8]	1 / 20 [8]
Refrigerant Control	TX Valves	TX Valves	TX Valves	TX Valves
Drain Connection No./Size in. [mm]	1/0.75 [19.05]	1/0.75 [19.05]	1/0.75 [19.05]	1/0.75 [19.05]
<hr/>				
Outdoor Fan - Type				
No. Used/Diameter in. [mm]	1/24 [609.6]	1/24 [609.6]	1/24 [609.6]	1/24 [609.6]
Drive Type/No. Speeds	Direct/1	Direct/1	Direct/1	Direct/1
CFM [L/s]	3930 [1855]	3930 [1855]	3930 [1855]	3930 [1855]
No. Motors/HP	1 at 1/3 HP	1 at 1/3 HP	1 at 1/3 HP	1 at 1/3 HP
Motor RPM	1075	1075	1075	1075
<hr/>				
Indoor Fan - Type				
No. Used/Diameter in. [mm]	1/10x10 [254x254]	1/11x10 [279x254]	1/11x10 [279x254]	1/11x10 [279x254]
Drive Type	Direct	Belt (Adjustable)	Belt (Adjustable)	Belt (Adjustable)
No. Speeds	Multiple	Single	Single	Single
No. Motors	1	1	1	1
Motor HP	1	3/4	3/4	1
Motor RPM	1075	1725	1725	1725
Motor Frame Size	48	56	56	56
<hr/>				
Filter - Type				
Furnished	Yes	Yes	Yes	Yes
(NO.) Size Recommended in. [mm x mm x mm]	(1)1x16x25 [25x406x635]	(1)1x16x25 [25x406x635]	(1)1x16x25 [25x406x635]	(1)1x16x25 [25x406x635]
	(1)1x16x25 [25x406x635]	(1)1x16x25 [25x406x635]	(1)1x16x25 [25x406x635]	(1)1x16x25 [25x406x635]
<hr/>				
Refrigerant Charge Oz. [g]	63 [1786]	63 [1786]	63 [1786]	63 [1786]
<hr/>				
Weights				
Net Weight lbs. [kg]	555 [252]	562 [255]	567 [257]	567 [257]
Ship Weight lbs. [kg]	562 [255]	569 [258]	574 [260]	574 [260]

NOTES:

- Cooling Performance is rated at 95° F ambient, 80° F entering dry bulb, 67° F entering wet bulb. Gross capacity does not include the effect of fan motor heat. AHRI capacity is net and includes the effect of fan motor heat. Units are suitable for operation to ±20% of nominal cfm. Units are certified in accordance with the Unitary Air Conditioner Equipment certification program, which is based on AHRI Standard 210/240 or 360.
- EER and/or SEER are rated at AHRI conditions and in accordance with DOE test procedures.
- Heating Performance limit settings and rating data were established and approved under laboratory test conditions using American National Standard Institute standards. Ratings shown are for elevations up to 2000 feet. For elevations above 2000 feet, ratings should be reduced at the rate of 4% for each 1000 feet above sea level.
- Outdoor Sound Rating shown is tested in accordance with AHRI Standard 270.

GENERAL DATA - RKPN MODELS

NOMINAL SIZES 3-5 TONS [10.6-17.6 kW]

Model RKPN- Series	A060CM13	A060DK10	A060DK13	A060DL10
Cooling Performance ¹				Continued ->
Gross Cooling Capacity Btu [kW]	60,000 [17.58]	60,000 [17.58]	60,000 [17.58]	60,000 [17.58]
EER/SEER ²	11.6/14	11.6/14	11.6/14	11.6/14
Nominal CFM/AHRI Rated CFM [L/s]	2000/1800 [944/849]	2000/1800 [944/849]	2000/1800 [944/849]	2000/1800 [944/849]
AHRI Net Cooling Capacity Btu [kW]	58,500 [17.14]	58,500 [17.14]	58,500 [17.14]	58,500 [17.14]
Net Sensible Capacity Btu [kW]	41,700 [12.22]	41,700 [12.22]	41,700 [12.22]	41,700 [12.22]
Net Latent Capacity Btu [kW]	16,800 [4.92]	16,800 [4.92]	16,800 [4.92]	16,800 [4.92]
Net System Power kW	4.95	4.95	4.95	4.95
Heating Performance (Gas) ⁴				
Heating Input Btu [kW]	135,000 [39.55]	100,000 [29.3]	135,000 [39.55]	100,000 [29.3]
Heating Output Btu [kW]	109,400 [32.05]	81,000 [23.73]	109,400 [32.05]	81,000 [23.73]
Temperature Rise Range °F [°C]	40-70 [22.2-38.9]	25-55 [13.9-30.6]	40-70 [22.2-38.9]	25-55 [13.9-30.6]
AFUE %	80	80	80	80
Steady State Efficiency (%)	81	81	81	81
No. Burners	6	5	6	5
No. Stages	1	1	1	1
Gas Connection Pipe Size in. [mm]	0.5 [12.7]	0.5 [12.7]	0.5 [12.7]	0.5 [12.7]
Compressor				
No./Type	1/Scroll	1/Scroll	1/Scroll	1/Scroll
Outdoor Sound Rating (dB) ⁵				
	83	83	83	83
Outdoor Coil - Fin Type				
Tube Type	Louvered	Louvered	Louvered	Louvered
MicroChannel Depth in. [mm]	MicroChannel	MicroChannel	MicroChannel	MicroChannel
Face Area sq. ft. [sq. m]	0.7 [18]	0.7 [18]	0.7 [18]	0.7 [18]
Rows / FPI [FPcm]	16.4 [1.52]	16.4 [1.52]	16.4 [1.52]	16.4 [1.52]
	1 / 23 [9]	1 / 23 [9]	1 / 23 [9]	1 / 23 [9]
Indoor Coil - Fin Type				
Tube Type	Louvered	Louvered	Louvered	Louvered
MicroChannel Depth in. [mm]	MicroChannel	MicroChannel	MicroChannel	MicroChannel
Face Area sq. ft. [sq. m]	1.3 [32]	1.3 [32]	1.3 [32]	1.3 [32]
Rows / FPI [FPcm]	4.8 [0.45]	4.8 [0.45]	4.8 [0.45]	4.8 [0.45]
	1 / 20 [8]	1 / 20 [8]	1 / 20 [8]	1 / 20 [8]
Refrigerant Control	TX Valves	TX Valves	TX Valves	TX Valves
Drain Connection No./Size in. [mm]	1/0.75 [19.05]	1/0.75 [19.05]	1/0.75 [19.05]	1/0.75 [19.05]
Outdoor Fan - Type				
No. Used/Diameter in. [mm]	Propeller	Propeller	Propeller	Propeller
Drive Type/No. Speeds	1/24 [609.6]	1/24 [609.6]	1/24 [609.6]	1/24 [609.6]
CFM [L/s]	Direct/1	Direct/1	Direct/1	Direct/1
No. Motors/HP	3930 [1855]	3930 [1855]	3930 [1855]	3930 [1855]
Motor RPM	1 at 1/3 HP	1 at 1/3 HP	1 at 1/3 HP	1 at 1/3 HP
	1075	1075	1075	1075
Indoor Fan - Type				
No. Used/Diameter in. [mm]	FC Centrifugal	FC Centrifugal	FC Centrifugal	FC Centrifugal
Drive Type	1/11x10 [279x254]	1/10x10 [254x254]	1/10x10 [254x254]	1/11x10 [279x254]
No. Speeds	Belt (Adjustable)	Direct	Direct	Belt (Adjustable)
No. Motors	Single	Multiple	Multiple	Single
Motor HP	1	1	1	1
Motor RPM	1	1	1	3/4
Motor Frame Size	1725	1075	1075	1725
	56	48	48	56
Filter - Type				
Furnished	Disposable	Disposable	Disposable	Disposable
(NO.) Size Recommended in. [mm x mm x mm]	Yes	Yes	Yes	Yes
	(1)1x16x25 [25x406x635]	(1)1x16x25 [25x406x635]	(1)1x16x25 [25x406x635]	(1)1x16x25 [25x406x635]
	(1)1x16x25 [25x406x635]	(1)1x16x25 [25x406x635]	(1)1x16x25 [25x406x635]	(1)1x16x25 [25x406x635]
Refrigerant Charge Oz. [g]	63 [1786]	63 [1786]	63 [1786]	63 [1786]
Weights				
Net Weight lbs. [kg]	572 [259]	550 [249]	555 [252]	562 [255]
Ship Weight lbs. [kg]	579 [263]	557 [253]	562 [255]	569 [258]

NOTES:

- Cooling Performance is rated at 95° F ambient, 80° F entering dry bulb, 67° F entering wet bulb. Gross capacity does not include the effect of fan motor heat. AHRI capacity is net and includes the effect of fan motor heat. Units are suitable for operation to ±20% of nominal cfm. Units are certified in accordance with the Unitary Air Conditioner Equipment certification program, which is based on AHRI Standard 210/240 or 360.
- EER and/or SEER are rated at AHRI conditions and in accordance with DOE test procedures.
- Heating Performance limit settings and rating data were established and approved under laboratory test conditions using American National Standard Institute standards. Ratings shown are for elevations up to 2000 feet. For elevations above 2000 feet, ratings should be reduced at the rate of 4% for each 1000 feet above sea level.
- Outdoor Sound Rating shown is tested in accordance with AHRI Standard 270.

GENERAL DATA - RKPN MODELS

NOMINAL SIZES 3-5 TONS [10.6-17.6 kW]

Model RKPN- Series	A060DL13	A060DM10	A060DM13	A060JK10
Cooling Performance ¹				Continued ->
Gross Cooling Capacity Btu [kW]	60,000 [17.58]	60,000 [17.58]	60,000 [17.58]	60,000 [17.58]
EER/SEER ²	11.6/14	11.6/14	11.6/14	11.6/14
Nominal CFM/AHRI Rated CFM [L/s]	2000/1800 [944/849]	2000/1800 [944/849]	2000/1800 [944/849]	2000/1800 [944/849]
AHRI Net Cooling Capacity Btu [kW]	58,500 [17.14]	58,500 [17.14]	58,500 [17.14]	58,500 [17.14]
Net Sensible Capacity Btu [kW]	41,700 [12.22]	41,700 [12.22]	41,700 [12.22]	41,700 [12.22]
Net Latent Capacity Btu [kW]	16,800 [4.92]	16,800 [4.92]	16,800 [4.92]	16,800 [4.92]
Net System Power kW	4.95	4.95	4.95	4.95
Heating Performance (Gas)⁴				
Heating Input Btu [kW]	135,000 [39.55]	100,000 [29.3]	135,000 [39.55]	100,000 [29.3]
Heating Output Btu [kW]	109,400 [32.05]	81,000 [23.73]	109,400 [32.05]	80,000 [22.85]
Temperature Rise Range °F [°C]	40-70 [22.2-38.9]	25-55 [13.9-30.6]	40-70 [22.2-38.9]	25-55 [13.9-30.6]
AFUE %	80	80	80	80
Steady State Efficiency (%)	81	81	81	80
No. Burners	6	5	6	5
No. Stages	1	1	1	1
Gas Connection Pipe Size in. [mm]	0.5 [12.7]	0.5 [12.7]	0.5 [12.7]	0.5 [12.7]
Compressor				
No./Type	1/Scroll	1/Scroll	1/Scroll	1/Scroll
Outdoor Sound Rating (dB)⁵				
Outdoor Sound Rating (dB) ⁵	83	83	83	83
Outdoor Coil - Fin Type				
Tube Type	MicroChannel	MicroChannel	MicroChannel	MicroChannel
MicroChannel Depth in. [mm]	0.7 [18]	0.7 [18]	0.7 [18]	0.7 [18]
Face Area sq. ft. [sq. m]	16.4 [1.52]	16.4 [1.52]	16.4 [1.52]	16.4 [1.52]
Rows / FPI [FPcm]	1 / 23 [9]	1 / 23 [9]	1 / 23 [9]	1 / 23 [9]
Indoor Coil - Fin Type				
Tube Type	MicroChannel	MicroChannel	MicroChannel	MicroChannel
MicroChannel Depth in. [mm]	1.3 [32]	1.3 [32]	1.3 [32]	1.3 [32]
Face Area sq. ft. [sq. m]	4.8 [0.45]	4.8 [0.45]	4.8 [0.45]	4.8 [0.45]
Rows / FPI [FPcm]	1 / 20 [8]	1 / 20 [8]	1 / 20 [8]	1 / 20 [8]
Refrigerant Control	TX Valves	TX Valves	TX Valves	TX Valves
Drain Connection No./Size in. [mm]	1/0.75 [19.05]	1/0.75 [19.05]	1/0.75 [19.05]	1/0.75 [19.05]
Outdoor Fan - Type				
No. Used/Diameter in. [mm]	1/24 [609.6]	1/24 [609.6]	1/24 [609.6]	1/24 [609.6]
Drive Type/No. Speeds	Direct/1	Direct/1	Direct/1	Direct/1
CFM [L/s]	3930 [1855]	3930 [1855]	3930 [1855]	3930 [1855]
No. Motors/HP	1 at 1/3 HP	1 at 1/3 HP	1 at 1/3 HP	1 at 1/3 HP
Motor RPM	1075	1075	1075	1075
Indoor Fan - Type				
No. Used/Diameter in. [mm]	1/11x10 [279x254]	1/11x10 [279x254]	1/11x10 [279x254]	1/10x10 [254x254]
Drive Type	Belt (Adjustable)	Belt (Adjustable)	Belt (Adjustable)	Direct
No. Speeds	Single	Single	Single	Multiple
No. Motors	1	1	1	1
Motor HP	3/4	1	1	1
Motor RPM	1725	1725	1725	1075
Motor Frame Size	56	56	56	48
Filter - Type				
Furnished	Yes	Yes	Yes	Yes
(NO.) Size Recommended in. [mm x mm x mm]	(1)1x16x25 [25x406x635]	(1)1x16x25 [25x406x635]	(1)1x16x25 [25x406x635]	(1)1x16x25 [25x406x635]
	(1)1x16x25 [25x406x635]	(1)1x16x25 [25x406x635]	(1)1x16x25 [25x406x635]	(1)1x16x25 [25x406x635]
Refrigerant Charge Oz. [g]	63 [1786]	63 [1786]	63 [1786]	63 [1786]
Weights				
Net Weight lbs. [kg]	567 [257]	567 [257]	572 [259]	550 [249]
Ship Weight lbs. [kg]	574 [260]	574 [260]	579 [263]	557 [253]

NOTES:

- Cooling Performance is rated at 95° F ambient, 80° F entering dry bulb, 67° F entering wet bulb. Gross capacity does not include the effect of fan motor heat. AHRI capacity is net and includes the effect of fan motor heat. Units are suitable for operation to ±20% of nominal cfm. Units are certified in accordance with the Unitary Air Conditioner Equipment certification program, which is based on AHRI Standard 210/240 or 360.
- EER and/or SEER are rated at AHRI conditions and in accordance with DOE test procedures.
- Heating Performance limit settings and rating data were established and approved under laboratory test conditions using American National Standard Institute standards. Ratings shown are for elevations up to 2000 feet. For elevations above 2000 feet, ratings should be reduced at the rate of 4% for each 1000 feet above sea level.
- Outdoor Sound Rating shown is tested in accordance with AHRI Standard 270.

GENERAL DATA - RKPN MODELS

NOMINAL SIZES 3-5 TONS [10.6-17.6 kW]

Model RKPN- Series	A060JK13	A060YL13	A060YM13
Cooling Performance¹			
Gross Cooling Capacity Btu [kW]	60,000 [17.58]	60,000 [17.58]	60,000 [17.58]
EER/SEER ²	11.6/14	11.6/14	11.6/14
Nominal CFM/AHRI Rated CFM [L/s]	2000/1800 [944/849]	2000/1800 [944/849]	2000/1800 [944/849]
AHRI Net Cooling Capacity Btu [kW]	58,500 [17.14]	58,500 [17.14]	58,500 [17.14]
Net Sensible Capacity Btu [kW]	41,700 [12.22]	41,700 [12.22]	41,700 [12.22]
Net Latent Capacity Btu [kW]	16,800 [4.92]	16,800 [4.92]	16,800 [4.92]
Net System Power kW	4.95	4.95	4.95
Heating Performance (Gas)⁴			
Heating Input Btu [kW]	135,000 [39.55]	135,000 [39.55]	135,000 [39.55]
Heating Output Btu [kW]	108,000 [31.06]	109,400 [32.05]	109,400 [32.05]
Temperature Rise Range °F [°C]	40-70 [22.2-38.9]	40-70 [22.2-38.9]	40-70 [22.2-38.9]
AFUE %	80	80	80
Steady State Efficiency (%)	80	81	81
No. Burners	6	6	6
No. Stages	1	1	1
Gas Connection Pipe Size in. [mm]	0.5 [12.7]	0.5 [12.7]	0.5 [12.7]
Compressor			
No./Type	1/Scroll	1/Scroll	1/Scroll
Outdoor Sound Rating (dB)⁵			
Outdoor Sound Rating (dB) ⁵	83	83	83
Outdoor Coil - Fin Type			
Tube Type	MicroChannel	MicroChannel	MicroChannel
MicroChannel Depth in. [mm]	0.7 [18]	0.7 [18]	0.7 [18]
Face Area sq. ft. [sq. m]	16.4 [1.52]	16.4 [1.52]	16.4 [1.52]
Rows / FPI [FPcm]	1 / 23 [9]	1 / 23 [9]	1 / 23 [9]
Indoor Coil - Fin Type			
Tube Type	MicroChannel	MicroChannel	MicroChannel
MicroChannel Depth in. [mm]	1.3 [32]	1.3 [32]	1.3 [32]
Face Area sq. ft. [sq. m]	4.8 [0.45]	4.8 [0.45]	4.8 [0.45]
Rows / FPI [FPcm]	1 / 20 [8]	1 / 20 [8]	1 / 20 [8]
Refrigerant Control	TX Valves	TX Valves	TX Valves
Drain Connection No./Size in. [mm]	1/0.75 [19.05]	1/0.75 [19.05]	1/0.75 [19.05]
Outdoor Fan - Type			
No. Used/Diameter in. [mm]	1/24 [609.6]	1/24 [609.6]	1/24 [609.6]
Drive Type/No. Speeds	Direct/1	Direct/1	Direct/1
CFM [L/s]	3930 [1855]	3930 [1855]	3930 [1855]
No. Motors/HP	1 at 1/3 HP	1 at 1/3 HP	1 at 1/3 HP
Motor RPM	1075	1075	1075
Indoor Fan - Type			
No. Used/Diameter in. [mm]	1/10x10 [254x254]	1/10x10 [254x254]	1/10x10 [254x254]
Drive Type	Direct	Belt (Adjustable)	Belt (Adjustable)
No. Speeds	Multiple	Single	Single
No. Motors	1	1	1
Motor HP	1	3/4	1
Motor RPM	1075	1725	1725
Motor Frame Size	48	56	56
Filter - Type			
Furnished	Yes	Yes	Yes
(NO.) Size Recommended in. [mm x mm x mm]	(1)1x16x25 [25x406x635]	(1)1x16x25 [25x406x635]	(1)1x16x25 [25x406x635]
	(1)1x16x25 [25x406x635]	(1)1x16x25 [25x406x635]	(1)1x16x25 [25x406x635]
Refrigerant Charge Oz. [g]	63 [1786]	63 [1786]	63 [1786]
Weights			
Net Weight lbs. [kg]	555 [252]	555 [252]	560 [254]
Ship Weight lbs. [kg]	562 [255]	562 [255]	567 [257]

NOTES:

- Cooling Performance is rated at 95° F ambient, 80° F entering dry bulb, 67° F entering wet bulb. Gross capacity does not include the effect of fan motor heat. AHRI capacity is net and includes the effect of fan motor heat. Units are suitable for operation to ±20% of nominal cfm. Units are certified in accordance with the Unitary Air Conditioner Equipment certification program, which is based on AHRI Standard 210/240 or 360.
- EER and/or SEER are rated at AHRI conditions and in accordance with DOE test procedures.
- Heating Performance limit settings and rating data were established and approved under laboratory test conditions using American National Standard Institute standards. Ratings shown are for elevations up to 2000 feet. For elevations above 2000 feet, ratings should be reduced at the rate of 4% for each 1000 feet above sea level.
- Outdoor Sound Rating shown is tested in accordance with AHRI Standard 270.

GENERAL DATA - RKQN MODELS

NOMINAL SIZES 3-5 TONS [10.6-17.6 kW]

Model RKQN- Series	A036CK08	A036CK12	A036CL08	A036CL12
Cooling Performance ¹				Continued ->
Gross Cooling Capacity Btu [kW]	36,200 [10.61]	36,200 [10.61]	36,200 [10.61]	36,200 [10.61]
EER/SEER ²	12.5/15	12.5/15	12.5/15	12.5/15
Nominal CFM/AHRI Rated CFM [L/s]	1200/1250 [566/590]	1200/1250 [566/590]	1200/1250 [566/590]	1200/1250 [566/590]
AHRI Net Cooling Capacity Btu [kW]	35,400 [10.37]	35,400 [10.37]	35,400 [10.37]	35,400 [10.37]
Net Sensible Capacity Btu [kW]	26,200 [7.68]	26,200 [7.68]	26,200 [7.68]	26,200 [7.68]
Net Latent Capacity Btu [kW]	9,200 [2.7]	9,200 [2.7]	9,200 [2.7]	9,200 [2.7]
Net System Power kW	2.72	2.72	2.72	2.72
<hr/>				
Heating Performance (Gas) ⁴				
Heating Input Btu [kW]	80,000 [23.44]	120,000 [35.16]	80,000 [23.44]	120,000 [35.16]
Heating Output Btu [kW]	64,800 [18.99]	97,200 [28.48]	64,800 [18.99]	97,200 [28.48]
Temperature Rise Range °F [°C]	30-60 [16.7-33.3]	50-80 [27.8-44.4]	30-60 [16.7-33.3]	50-80 [27.8-44.4]
AFUE %	80	80	80	80
Steady State Efficiency (%)	81	81	81	81
No. Burners	4	6	4	6
No. Stages	1	1	1	1
Gas Connection Pipe Size in. [mm]	0.5 [12.7]	0.5 [12.7]	0.5 [12.7]	0.5 [12.7]
<hr/>				
Compressor				
No./Type	1/Scroll	1/Scroll	1/Scroll	1/Scroll
<hr/>				
Outdoor Sound Rating (dB) ⁵				
	78	78	78	78
<hr/>				
Outdoor Coil - Fin Type				
Tube Type	Louvered	Louvered	Louvered	Louvered
MicroChannel Depth in. [mm]	MicroChannel	MicroChannel	MicroChannel	MicroChannel
Face Area sq. ft. [sq. m]	0.7 [18]	0.7 [18]	0.7 [18]	0.7 [18]
Rows / FPI [FPcm]	13.9 [1.29]	13.9 [1.29]	13.9 [1.29]	13.9 [1.29]
	1 / 23 [9]	1 / 23 [9]	1 / 23 [9]	1 / 23 [9]
<hr/>				
Indoor Coil - Fin Type				
Tube Type	Louvered	Louvered	Louvered	Louvered
MicroChannel Depth in. [mm]	MicroChannel	MicroChannel	MicroChannel	MicroChannel
Face Area sq. ft. [sq. m]	1 [25]	1 [25]	1 [25]	1 [25]
Rows / FPI [FPcm]	4.8 [0.45]	4.8 [0.45]	4.8 [0.45]	4.8 [0.45]
	1 / 20 [8]	1 / 20 [8]	1 / 20 [8]	1 / 20 [8]
Refrigerant Control	TX Valves	TX Valves	TX Valves	TX Valves
Drain Connection No./Size in. [mm]	1/0.75 [19.05]	1/0.75 [19.05]	1/0.75 [19.05]	1/0.75 [19.05]
<hr/>				
Outdoor Fan - Type				
No. Used/Diameter in. [mm]	Propeller	Propeller	Propeller	Propeller
Drive Type/No. Speeds	1/24 [609.6]	1/24 [609.6]	1/24 [609.6]	1/24 [609.6]
CFM [L/s]	Direct/1	Direct/1	Direct/1	Direct/1
No. Motors/HP	3680 [1737]	3680 [1737]	3680 [1737]	3680 [1737]
Motor RPM	1 at 1/3 HP	1 at 1/3 HP	1 at 1/3 HP	1 at 1/3 HP
	1075	1075	1075	1075
<hr/>				
Indoor Fan - Type				
No. Used/Diameter in. [mm]	FC Centrifugal	FC Centrifugal	FC Centrifugal	FC Centrifugal
Drive Type	1/10x10 [254x254]	1/10x10 [254x254]	1/10x10 [254x254]	1/10x10 [254x254]
No. Speeds	Direct	Direct	Belt (Adjustable)	Belt (Adjustable)
No. Motors	Multiple	Multiple	Single	Single
Motor HP	1	1	1	1
Motor RPM	1/2	1/2	1/2	1/2
Motor Frame Size	1075	1075	1725	1725
	48	48	48	48
<hr/>				
Filter - Type				
Furnished	Disposable	Disposable	Disposable	Disposable
(NO.) Size Recommended in. [mm x mm x mm]	Yes	Yes	Yes	Yes
	(1)1x16x25 [25x406x635]	(1)1x16x25 [25x406x635]	(1)1x16x25 [25x406x635]	(1)1x16x25 [25x406x635]
	(1)1x16x25 [25x406x635]	(1)1x16x25 [25x406x635]	(1)1x16x25 [25x406x635]	(1)1x16x25 [25x406x635]
<hr/>				
Refrigerant Charge Oz. [g]	54 [1531]	54 [1531]	54 [1531]	54 [1531]
<hr/>				
Weights				
Net Weight lbs. [kg]	507 [230]	517 [235]	525 [238]	517 [235]
Ship Weight lbs. [kg]	514 [233]	525 [238]	532 [241]	525 [238]

NOTES:

- Cooling Performance is rated at 95° F ambient, 80° F entering dry bulb, 67° F entering wet bulb. Gross capacity does not include the effect of fan motor heat. AHRI capacity is net and includes the effect of fan motor heat. Units are suitable for operation to ±20% of nominal cfm. Units are certified in accordance with the Unitary Air Conditioner Equipment certification program, which is based on AHRI Standard 210/240 or 360.
- EER and/or SEER are rated at AHRI conditions and in accordance with DOE test procedures.
- Heating Performance limit settings and rating data were established and approved under laboratory test conditions using American National Standard Institute standards. Ratings shown are for elevations up to 2000 feet. For elevations above 2000 feet, ratings should be reduced at the rate of 4% for each 1000 feet above sea level.
- Outdoor Sound Rating shown is tested in accordance with AHRI Standard 270.

GENERAL DATA - RKQN MODELS

NOMINAL SIZES 3-5 TONS [10.6-17.6 kW]

Model RKQN- Series	A036CM08	A036CM12	A036DK08	A036DK12
Cooling Performance ¹				Continued ->
Gross Cooling Capacity Btu [kW]	36,200 [10.61]	36,200 [10.61]	36,200 [10.61]	36,200 [10.61]
EER/SEER ²	12.5/15	12.5/15	12.5/15	12.5/15
Nominal CFM/AHRI Rated CFM [L/s]	1200/1250 [566/590]	1200/1250 [566/590]	1200/1250 [566/590]	1200/1250 [566/590]
AHRI Net Cooling Capacity Btu [kW]	35,400 [10.37]	35,400 [10.37]	35,400 [10.37]	35,400 [10.37]
Net Sensible Capacity Btu [kW]	26,200 [7.68]	26,200 [7.68]	26,200 [7.68]	26,200 [7.68]
Net Latent Capacity Btu [kW]	9,200 [2.7]	9,200 [2.7]	9,200 [2.7]	9,200 [2.7]
Net System Power kW	2.72	2.72	2.72	2.72
Heating Performance (Gas) ⁴				
Heating Input Btu [kW]	80,000 [23.44]	120,000 [35.16]	80,000 [23.44]	120,000 [35.16]
Heating Output Btu [kW]	64,800 [18.99]	97,200 [28.48]	64,800 [18.99]	97,200 [28.48]
Temperature Rise Range °F [°C]	30-60 [16.7-33.3]	50-80 [27.8-44.4]	30-60 [16.7-33.3]	50-80 [27.8-44.4]
AFUE %	80	80	80	80
Steady State Efficiency (%)	81	81	81	81
No. Burners	4	6	4	6
No. Stages	1	1	1	1
Gas Connection Pipe Size in. [mm]	0.5 [12.7]	0.5 [12.7]	0.5 [12.7]	0.5 [12.7]
Compressor				
No./Type	1/Scroll	1/Scroll	1/Scroll	1/Scroll
Outdoor Sound Rating (dB) ⁵				
	78	78	78	78
Outdoor Coil - Fin Type				
Tube Type	Louvered	Louvered	Louvered	Louvered
MicroChannel Depth in. [mm]	MicroChannel	MicroChannel	MicroChannel	MicroChannel
Face Area sq. ft. [sq. m]	0.7 [18]	0.7 [18]	0.7 [18]	0.7 [18]
Rows / FPI [FPcm]	13.9 [1.29]	13.9 [1.29]	13.9 [1.29]	13.9 [1.29]
	1 / 23 [9]	1 / 23 [9]	1 / 23 [9]	1 / 23 [9]
Indoor Coil - Fin Type				
Tube Type	Louvered	Louvered	Louvered	Louvered
MicroChannel Depth in. [mm]	MicroChannel	MicroChannel	MicroChannel	MicroChannel
Face Area sq. ft. [sq. m]	1 [25]	1 [25]	1 [25]	1 [25]
Rows / FPI [FPcm]	4.8 [0.45]	4.8 [0.45]	4.8 [0.45]	4.8 [0.45]
	1 / 20 [8]	1 / 20 [8]	1 / 20 [8]	1 / 20 [8]
Refrigerant Control	TX Valves	TX Valves	TX Valves	TX Valves
Drain Connection No./Size in. [mm]	1/0.75 [19.05]	1/0.75 [19.05]	1/0.75 [19.05]	1/0.75 [19.05]
Outdoor Fan - Type				
No. Used/Diameter in. [mm]	Propeller	Propeller	Propeller	Propeller
Drive Type/No. Speeds	1/24 [609.6]	1/24 [609.6]	1/24 [609.6]	1/24 [609.6]
CFM [L/s]	Direct/1	Direct/1	Direct/1	Direct/1
No. Motors/HP	3680 [1737]	3680 [1737]	3680 [1737]	3680 [1737]
Motor RPM	1 at 1/3 HP	1 at 1/3 HP	1 at 1/3 HP	1 at 1/3 HP
	1075	1075	1075	1075
Indoor Fan - Type				
No. Used/Diameter in. [mm]	FC Centrifugal	FC Centrifugal	FC Centrifugal	FC Centrifugal
Drive Type	1/10x10 [254x254]	1/10x10 [254x254]	1/10x10 [254x254]	1/10x10 [254x254]
No. Speeds	Belt (Adjustable)	Belt (Adjustable)	Direct	Direct
No. Motors	Single	Single	Multiple	Multiple
Motor HP	1	1	1	1
Motor RPM	1/2	1/2	1/2	1/2
Motor Frame Size	1725	1725	1075	1075
	48	48	48	48
Filter - Type				
Furnished	Disposable	Disposable	Disposable	Disposable
(NO.) Size Recommended in. [mm x mm x mm]	Yes	Yes	Yes	Yes
	(1)1x16x25 [25x406x635]	(1)1x16x25 [25x406x635]	(1)1x16x25 [25x406x635]	(1)1x16x25 [25x406x635]
	(1)1x16x25 [25x406x635]	(1)1x16x25 [25x406x635]	(1)1x16x25 [25x406x635]	(1)1x16x25 [25x406x635]
Refrigerant Charge Oz. [g]	54 [1531]	54 [1531]	54 [1531]	54 [1531]
Weights				
Net Weight lbs. [kg]	525 [238]	517 [235]	507 [230]	517 [235]
Ship Weight lbs. [kg]	532 [241]	525 [238]	514 [233]	525 [238]

NOTES:

- Cooling Performance is rated at 95° F ambient, 80° F entering dry bulb, 67° F entering wet bulb. Gross capacity does not include the effect of fan motor heat. AHRI capacity is net and includes the effect of fan motor heat. Units are suitable for operation to ±20% of nominal cfm. Units are certified in accordance with the Unitary Air Conditioner Equipment certification program, which is based on AHRI Standard 210/240 or 360.
- EER and/or SEER are rated at AHRI conditions and in accordance with DOE test procedures.
- Heating Performance limit settings and rating data were established and approved under laboratory test conditions using American National Standard Institute standards. Ratings shown are for elevations up to 2000 feet. For elevations above 2000 feet, ratings should be reduced at the rate of 4% for each 1000 feet above sea level.
- Outdoor Sound Rating shown is tested in accordance with AHRI Standard 270.

GENERAL DATA - RKQN MODELS

NOMINAL SIZES 3-5 TONS [10.6-17.6 kW]

Model RKQN- Series	A036DL08	A036DL12	A036DM08	A036DM12
Cooling Performance ¹				Continued ->
Gross Cooling Capacity Btu [kW]	36,200 [10.61]	36,200 [10.61]	36,200 [10.61]	36,200 [10.61]
EER/SEER ²	12.5/15	12.5/15	12.5/15	12.5/15
Nominal CFM/AHRI Rated CFM [L/s]	1200/1250 [566/590]	1200/1250 [566/590]	1200/1250 [566/590]	1200/1250 [566/590]
AHRI Net Cooling Capacity Btu [kW]	35,400 [10.37]	35,400 [10.37]	35,400 [10.37]	35,400 [10.37]
Net Sensible Capacity Btu [kW]	26,200 [7.68]	26,200 [7.68]	26,200 [7.68]	26,200 [7.68]
Net Latent Capacity Btu [kW]	9,200 [2.7]	9,200 [2.7]	9,200 [2.7]	9,200 [2.7]
Net System Power kW	2.72	2.72	2.72	2.72
<hr/>				
Heating Performance (Gas) ⁴				
Heating Input Btu [kW]	80,000 [23.44]	120,000 [35.16]	80,000 [23.44]	120,000 [35.16]
Heating Output Btu [kW]	64,800 [18.99]	97,200 [28.48]	64,800 [18.99]	97,200 [28.48]
Temperature Rise Range °F [°C]	30-60 [16.7-33.3]	50-80 [27.8-44.4]	30-60 [16.7-33.3]	50-80 [27.8-44.4]
AFUE %	80	80	80	80
Steady State Efficiency (%)	81	81	81	81
No. Burners	4	6	4	6
No. Stages	1	1	1	1
Gas Connection Pipe Size in. [mm]	0.5 [12.7]	0.5 [12.7]	0.5 [12.7]	0.5 [12.7]
<hr/>				
Compressor				
No./Type	1/Scroll	1/Scroll	1/Scroll	1/Scroll
<hr/>				
Outdoor Sound Rating (dB) ⁵				
	78	78	78	78
<hr/>				
Outdoor Coil - Fin Type				
Tube Type	Louvered	Louvered	Louvered	Louvered
MicroChannel Depth in. [mm]	MicroChannel	MicroChannel	MicroChannel	MicroChannel
Face Area sq. ft. [sq. m]	0.7 [18]	0.7 [18]	0.7 [18]	0.7 [18]
Rows / FPI [FPcm]	13.9 [1.29]	13.9 [1.29]	13.9 [1.29]	13.9 [1.29]
	1 / 23 [9]	1 / 23 [9]	1 / 23 [9]	1 / 23 [9]
<hr/>				
Indoor Coil - Fin Type				
Tube Type	Louvered	Louvered	Louvered	Louvered
MicroChannel Depth in. [mm]	MicroChannel	MicroChannel	MicroChannel	MicroChannel
Face Area sq. ft. [sq. m]	1 [25]	1 [25]	1 [25]	1 [25]
Rows / FPI [FPcm]	4.8 [0.45]	4.8 [0.45]	4.8 [0.45]	4.8 [0.45]
	1 / 20 [8]	1 / 20 [8]	1 / 20 [8]	1 / 20 [8]
Refrigerant Control	TX Valves	TX Valves	TX Valves	TX Valves
Drain Connection No./Size in. [mm]	1/0.75 [19.05]	1/0.75 [19.05]	1/0.75 [19.05]	1/0.75 [19.05]
<hr/>				
Outdoor Fan - Type				
No. Used/Diameter in. [mm]	Propeller	Propeller	Propeller	Propeller
Drive Type/No. Speeds	1/24 [609.6]	1/24 [609.6]	1/24 [609.6]	1/24 [609.6]
CFM [L/s]	Direct/1	Direct/1	Direct/1	Direct/1
No. Motors/HP	3680 [1737]	3680 [1737]	3680 [1737]	3680 [1737]
Motor RPM	1 at 1/3 HP	1 at 1/3 HP	1 at 1/3 HP	1 at 1/3 HP
	1075	1075	1075	1075
<hr/>				
Indoor Fan - Type				
No. Used/Diameter in. [mm]	FC Centrifugal	FC Centrifugal	FC Centrifugal	FC Centrifugal
Drive Type	1/10x10 [254x254]	1/10x10 [254x254]	1/10x10 [254x254]	1/10x10 [254x254]
No. Speeds	Belt (Adjustable)	Belt (Adjustable)	Belt (Adjustable)	Belt (Adjustable)
No. Motors	Single	Single	Single	Single
Motor HP	1	1	1	1
Motor RPM	1/2	1/2	1/2	1/2
Motor Frame Size	1725	1725	1725	1725
	48	48	48	48
<hr/>				
Filter - Type				
Furnished	Disposable	Disposable	Disposable	Disposable
(NO.) Size Recommended in. [mm x mm x mm]	Yes	Yes	Yes	Yes
	(1)1x16x25 [25x406x635]	(1)1x16x25 [25x406x635]	(1)1x16x25 [25x406x635]	(1)1x16x25 [25x406x635]
	(1)1x16x25 [25x406x635]	(1)1x16x25 [25x406x635]	(1)1x16x25 [25x406x635]	(1)1x16x25 [25x406x635]
<hr/>				
Refrigerant Charge Oz. [g]	54 [1531]	54 [1531]	54 [1531]	54 [1531]
<hr/>				
Weights				
Net Weight lbs. [kg]	525 [238]	517 [235]	525 [238]	517 [235]
Ship Weight lbs. [kg]	532 [241]	525 [238]	532 [241]	525 [238]

NOTES:

- Cooling Performance is rated at 95° F ambient, 80° F entering dry bulb, 67° F entering wet bulb. Gross capacity does not include the effect of fan motor heat. AHRI capacity is net and includes the effect of fan motor heat. Units are suitable for operation to ±20% of nominal cfm. Units are certified in accordance with the Unitary Air Conditioner Equipment certification program, which is based on AHRI Standard 210/240 or 360.
- EER and/or SEER are rated at AHRI conditions and in accordance with DOE test procedures.
- Heating Performance limit settings and rating data were established and approved under laboratory test conditions using American National Standard Institute standards. Ratings shown are for elevations up to 2000 feet. For elevations above 2000 feet, ratings should be reduced at the rate of 4% for each 1000 feet above sea level.
- Outdoor Sound Rating shown is tested in accordance with AHRI Standard 270.

GENERAL DATA - RKQN MODELS

NOMINAL SIZES 3-5 TONS [10.6-17.6 kW]

Model RKQN- Series	A036JK08	A036JK12	A048CK08	A048CK10
Cooling Performance ¹				Continued ->
Gross Cooling Capacity Btu [kW]	36,200 [10.61]	36,200 [10.61]	48,000 [14.06]	48,000 [14.06]
EER/SEER ²	12.5/15	12.5/15	12.5/15	12.5/15
Nominal CFM/AHRI Rated CFM [L/s]	1200/1250 [566/590]	1200/1250 [566/590]	1600/1600 [755/755]	1600/1600 [755/755]
AHRI Net Cooling Capacity Btu [kW]	35,400 [10.37]	35,400 [10.37]	46,500 [13.62]	46,500 [13.62]
Net Sensible Capacity Btu [kW]	26,200 [7.68]	26,200 [7.68]	35,700 [10.46]	35,700 [10.46]
Net Latent Capacity Btu [kW]	9,200 [2.7]	9,200 [2.7]	10,800 [3.16]	10,800 [3.16]
Net System Power kW	2.72	2.72	3.69	3.69
Heating Performance (Gas) ⁴				
Heating Input Btu [kW]	80,000 [23.44]	120,000 [35.16]	80,000 [23.44]	100,000 [29.3]
Heating Output Btu [kW]	64,000 [18.17]	96,000 [27.54]	64,800 [18.99]	81,000 [23.73]
Temperature Rise Range °F [°C]	30-60 [16.7-33.3]	50-80 [27.8-44.4]	30-60 [16.7-33.3]	40-70 [22.2-38.9]
AFUE %	80	80	80	80
Steady State Efficiency (%)	80	80	81	81
No. Burners	4	6	4	5
No. Stages	1	1	1	1
Gas Connection Pipe Size in. [mm]	0.5 [12.7]	0.5 [12.7]	0.5 [12.7]	0.5 [12.7]
Compressor				
No./Type	1/Scroll	1/Scroll	1/Scroll	1/Scroll
Outdoor Sound Rating (dB) ⁵				
	78	78	78	78
Outdoor Coil - Fin Type				
Tube Type	Louvered	Louvered	Louvered	Louvered
MicroChannel Depth in. [mm]	MicroChannel	MicroChannel	MicroChannel	MicroChannel
Face Area sq. ft. [sq. m]	0.7 [18]	0.7 [18]	0.7 [18]	0.7 [18]
Rows / FPI [FPcm]	13.9 [1.29]	13.9 [1.29]	16.4 [1.52]	16.4 [1.52]
	1 / 23 [9]	1 / 23 [9]	1 / 23 [9]	1 / 23 [9]
Indoor Coil - Fin Type				
Tube Type	Louvered	Louvered	Louvered	Louvered
MicroChannel Depth in. [mm]	MicroChannel	MicroChannel	MicroChannel	MicroChannel
Face Area sq. ft. [sq. m]	1 [25]	1 [25]	1.3 [32]	1.3 [32]
Rows / FPI [FPcm]	4.8 [0.45]	4.8 [0.45]	4.8 [0.45]	4.8 [0.45]
	1 / 20 [8]	1 / 20 [8]	1 / 20 [8]	1 / 20 [8]
Refrigerant Control	TX Valves	TX Valves	TX Valves	TX Valves
Drain Connection No./Size in. [mm]	1/0.75 [19.05]	1/0.75 [19.05]	1/0.75 [19.05]	1/0.75 [19.05]
Outdoor Fan - Type				
No. Used/Diameter in. [mm]	Propeller	Propeller	Propeller	Propeller
Drive Type/No. Speeds	1/24 [609.6]	1/24 [609.6]	1/24 [609.6]	1/24 [609.6]
CFM [L/s]	Direct/1	Direct/1	Direct/1	Direct/1
No. Motors/HP	3680 [1737]	3680 [1737]	3680 [1737]	3680 [1737]
Motor RPM	1 at 1/3 HP	1 at 1/3 HP	1 at 1/3 HP	1 at 1/3 HP
	1075	1075	1075	1075
Indoor Fan - Type				
No. Used/Diameter in. [mm]	FC Centrifugal	FC Centrifugal	FC Centrifugal	FC Centrifugal
Drive Type	1/10x10 [254x254]	1/10x10 [254x254]	1/10x10 [254x254]	1/10x10 [254x254]
No. Speeds	Direct	Direct	Direct	Direct
No. Motors	Multiple	Multiple	Multiple	Multiple
Motor HP	1	1	1	1
Motor RPM	1/2	1/2	3/4	3/4
Motor Frame Size	1075	1075	1075	1075
	48	48	48	48
Filter - Type				
Furnished	Disposable	Disposable	Disposable	Disposable
(NO.) Size Recommended in. [mm x mm x mm]	Yes	Yes	Yes	Yes
	(1)1x16x25 [25x406x635]	(1)1x16x25 [25x406x635]	(1)1x16x25 [25x406x635]	(1)1x16x25 [25x406x635]
	(1)1x16x25 [25x406x635]	(1)1x16x25 [25x406x635]	(1)1x16x25 [25x406x635]	(1)1x16x25 [25x406x635]
Refrigerant Charge Oz. [g]	54 [1531]	54 [1531]	68 [1928]	68 [1928]
Weights				
Net Weight lbs. [kg]	507 [230]	517 [235]	531 [241]	536 [243]
Ship Weight lbs. [kg]	514 [233]	525 [238]	538 [244]	543 [246]

NOTES:

- Cooling Performance is rated at 95° F ambient, 80° F entering dry bulb, 67° F entering wet bulb. Gross capacity does not include the effect of fan motor heat. AHRI capacity is net and includes the effect of fan motor heat. Units are suitable for operation to ±20% of nominal cfm. Units are certified in accordance with the Unitary Air Conditioner Equipment certification program, which is based on AHRI Standard 210/240 or 360.
- EER and/or SEER are rated at AHRI conditions and in accordance with DOE test procedures.
- Heating Performance limit settings and rating data were established and approved under laboratory test conditions using American National Standard Institute standards. Ratings shown are for elevations up to 2000 feet. For elevations above 2000 feet, ratings should be reduced at the rate of 4% for each 1000 feet above sea level.
- Outdoor Sound Rating shown is tested in accordance with AHRI Standard 270.

GENERAL DATA - RKQN MODELS

NOMINAL SIZES 3-5 TONS [10.6-17.6 kW]

Model RKQN- Series	A048CK13	A048CL08	A048CL10	A048CL13
Cooling Performance ¹				Continued ->
Gross Cooling Capacity Btu [kW]	48,000 [14.06]	48,000 [14.06]	48,000 [14.06]	48,000 [14.06]
EER/SEER ²	12.5/15	12.5/15	12.5/15	12.5/15
Nominal CFM/AHRI Rated CFM [L/s]	1600/1600 [755/755]	1600/1600 [755/755]	1600/1600 [755/755]	1600/1600 [755/755]
AHRI Net Cooling Capacity Btu [kW]	46,500 [13.62]	46,500 [13.62]	46,500 [13.62]	46,500 [13.62]
Net Sensible Capacity Btu [kW]	35,700 [10.46]	35,700 [10.46]	35,700 [10.46]	35,700 [10.46]
Net Latent Capacity Btu [kW]	10,800 [3.16]	10,800 [3.16]	10,800 [3.16]	10,800 [3.16]
Net System Power kW	3.69	3.69	3.69	3.69
<hr/>				
Heating Performance (Gas) ⁴				
Heating Input Btu [kW]	135,000 [39.55]	80,000 [23.44]	100,000 [29.3]	135,000 [39.55]
Heating Output Btu [kW]	109,400 [32.05]	64,800 [18.99]	81,000 [23.73]	109,400 [32.05]
Temperature Rise Range °F [°C]	50-80 [27.8-44.4]	30-60 [16.7-33.3]	40-70 [22.2-38.9]	50-80 [27.8-44.4]
AFUE %	80	80	80	80
Steady State Efficiency (%)	81	81	81	81
No. Burners	6	4	5	6
No. Stages	1	1	1	1
Gas Connection Pipe Size in. [mm]	0.5 [12.7]	0.5 [12.7]	0.5 [12.7]	0.5 [12.7]
<hr/>				
Compressor				
No./Type	1/Scroll	1/Scroll	1/Scroll	1/Scroll
<hr/>				
Outdoor Sound Rating (dB) ⁵	78	78	78	78
<hr/>				
Outdoor Coil - Fin Type				
Tube Type	MicroChannel	MicroChannel	MicroChannel	MicroChannel
MicroChannel Depth in. [mm]	0.7 [18]	0.7 [18]	0.7 [18]	0.7 [18]
Face Area sq. ft. [sq. m]	16.4 [1.52]	16.4 [1.52]	16.4 [1.52]	16.4 [1.52]
Rows / FPI [FPcm]	1 / 23 [9]	1 / 23 [9]	1 / 23 [9]	1 / 23 [9]
<hr/>				
Indoor Coil - Fin Type				
Tube Type	MicroChannel	MicroChannel	MicroChannel	MicroChannel
MicroChannel Depth in. [mm]	1.3 [32]	1.3 [32]	1.3 [32]	1.3 [32]
Face Area sq. ft. [sq. m]	4.8 [0.45]	4.8 [0.45]	4.8 [0.45]	4.8 [0.45]
Rows / FPI [FPcm]	1 / 20 [8]	1 / 20 [8]	1 / 20 [8]	1 / 20 [8]
Refrigerant Control	TX Valves	TX Valves	TX Valves	TX Valves
Drain Connection No./Size in. [mm]	1/0.75 [19.05]	1/0.75 [19.05]	1/0.75 [19.05]	1/0.75 [19.05]
<hr/>				
Outdoor Fan - Type				
No. Used/Diameter in. [mm]	1/24 [609.6]	1/24 [609.6]	1/24 [609.6]	1/24 [609.6]
Drive Type/No. Speeds	Direct/1	Direct/1	Direct/1	Direct/1
CFM [L/s]	3680 [1737]	3680 [1737]	3680 [1737]	3680 [1737]
No. Motors/HP	1 at 1/3 HP	1 at 1/3 HP	1 at 1/3 HP	1 at 1/3 HP
Motor RPM	1075	1075	1075	1075
<hr/>				
Indoor Fan - Type				
No. Used/Diameter in. [mm]	1/10x10 [254x254]	1/10x10 [254x254]	1/10x10 [254x254]	1/10x10 [254x254]
Drive Type	Direct	Belt (Adjustable)	Belt (Adjustable)	Belt (Adjustable)
No. Speeds	Multiple	Single	Single	Single
No. Motors	1	1	1	1
Motor HP	3/4	1/2	1/2	1/2
Motor RPM	1075	1725	1725	1725
Motor Frame Size	48	48	48	48
<hr/>				
Filter - Type				
Furnished	Yes	Yes	Yes	Yes
(NO.) Size Recommended in. [mm x mm x mm]	(1)1x16x25 [25x406x635]	(1)1x16x25 [25x406x635]	(1)1x16x25 [25x406x635]	(1)1x16x25 [25x406x635]
	(1)1x16x25 [25x406x635]	(1)1x16x25 [25x406x635]	(1)1x16x25 [25x406x635]	(1)1x16x25 [25x406x635]
<hr/>				
Refrigerant Charge Oz. [g]	68 [1928]	68 [1928]	68 [1928]	68 [1928]
<hr/>				
Weights				
Net Weight lbs. [kg]	541 [245]	549 [249]	554 [251]	559 [254]
Ship Weight lbs. [kg]	548 [249]	556 [252]	561 [254]	566 [257]

NOTES:

- Cooling Performance is rated at 95° F ambient, 80° F entering dry bulb, 67° F entering wet bulb. Gross capacity does not include the effect of fan motor heat. AHRI capacity is net and includes the effect of fan motor heat. Units are suitable for operation to ±20% of nominal cfm. Units are certified in accordance with the Unitary Air Conditioner Equipment certification program, which is based on AHRI Standard 210/240 or 360.
- EER and/or SEER are rated at AHRI conditions and in accordance with DOE test procedures.
- Heating Performance limit settings and rating data were established and approved under laboratory test conditions using American National Standard Institute standards. Ratings shown are for elevations up to 2000 feet. For elevations above 2000 feet, ratings should be reduced at the rate of 4% for each 1000 feet above sea level.
- Outdoor Sound Rating shown is tested in accordance with AHRI Standard 270.

GENERAL DATA - RKQN MODELS

NOMINAL SIZES 3-5 TONS [10.6-17.6 kW]

Model RKQN- Series	A048CM08	A048CM10	A048CM13	A048DK08
Cooling Performance ¹				Continued ->
Gross Cooling Capacity Btu [kW]	48,000 [14.06]	48,000 [14.06]	48,000 [14.06]	48,000 [14.06]
EER/SEER ²	12.5/15	12.5/15	12.5/15	12.5/15
Nominal CFM/AHRI Rated CFM [L/s]	1600/1600 [755/755]	1600/1600 [755/755]	1600/1600 [755/755]	1600/1600 [755/755]
AHRI Net Cooling Capacity Btu [kW]	46,500 [13.62]	46,500 [13.62]	46,500 [13.62]	46,500 [13.62]
Net Sensible Capacity Btu [kW]	35,700 [10.46]	35,700 [10.46]	35,700 [10.46]	35,700 [10.46]
Net Latent Capacity Btu [kW]	10,800 [3.16]	10,800 [3.16]	10,800 [3.16]	10,800 [3.16]
Net System Power kW	3.69	3.69	3.69	3.69
Heating Performance (Gas) ⁴				
Heating Input Btu [kW]	80,000 [23.44]	100,000 [29.3]	135,000 [39.55]	80,000 [23.44]
Heating Output Btu [kW]	64,800 [18.99]	81,000 [23.73]	109,400 [32.05]	64,800 [18.99]
Temperature Rise Range °F [°C]	30-60 [16.7-33.3]	40-70 [22.2-38.9]	50-80 [27.8-44.4]	30-60 [16.7-33.3]
AFUE %	80	80	80	80
Steady State Efficiency (%)	81	81	81	81
No. Burners	4	5	6	4
No. Stages	1	1	1	1
Gas Connection Pipe Size in. [mm]	0.5 [12.7]	0.5 [12.7]	0.5 [12.7]	0.5 [12.7]
Compressor				
No./Type	1/Scroll	1/Scroll	1/Scroll	1/Scroll
Outdoor Sound Rating (dB) ⁵				
	78	78	78	78
Outdoor Coil - Fin Type				
Tube Type	Louvered	Louvered	Louvered	Louvered
MicroChannel Depth in. [mm]	MicroChannel	MicroChannel	MicroChannel	MicroChannel
Face Area sq. ft. [sq. m]	0.7 [18]	0.7 [18]	0.7 [18]	0.7 [18]
Rows / FPI [FPcm]	16.4 [1.52]	16.4 [1.52]	16.4 [1.52]	16.4 [1.52]
	1 / 23 [9]	1 / 23 [9]	1 / 23 [9]	1 / 23 [9]
Indoor Coil - Fin Type				
Tube Type	Louvered	Louvered	Louvered	Louvered
MicroChannel Depth in. [mm]	MicroChannel	MicroChannel	MicroChannel	MicroChannel
Face Area sq. ft. [sq. m]	1.3 [32]	1.3 [32]	1.3 [32]	1.3 [32]
Rows / FPI [FPcm]	4.8 [0.45]	4.8 [0.45]	4.8 [0.45]	4.8 [0.45]
	1 / 20 [8]	1 / 20 [8]	1 / 20 [8]	1 / 20 [8]
Refrigerant Control	TX Valves	TX Valves	TX Valves	TX Valves
Drain Connection No./Size in. [mm]	1/0.75 [19.05]	1/0.75 [19.05]	1/0.75 [19.05]	1/0.75 [19.05]
Outdoor Fan - Type				
No. Used/Diameter in. [mm]	Propeller	Propeller	Propeller	Propeller
Drive Type/No. Speeds	1/24 [609.6]	1/24 [609.6]	1/24 [609.6]	1/24 [609.6]
CFM [L/s]	Direct/1	Direct/1	Direct/1	Direct/1
No. Motors/HP	3680 [1737]	3680 [1737]	3680 [1737]	3680 [1737]
Motor RPM	1 at 1/3 HP	1 at 1/3 HP	1 at 1/3 HP	1 at 1/3 HP
	1075	1075	1075	1075
Indoor Fan - Type				
No. Used/Diameter in. [mm]	FC Centrifugal	FC Centrifugal	FC Centrifugal	FC Centrifugal
Drive Type	1/10x10 [254x254]	1/10x10 [254x254]	1/10x10 [254x254]	1/10x10 [254x254]
No. Speeds	Belt (Adjustable)	Belt (Adjustable)	Belt (Adjustable)	Direct
No. Motors	Single	Single	Single	Multiple
Motor HP	1	1	1	1
Motor RPM	3/4	3/4	3/4	3/4
Motor Frame Size	1725	1725	1725	1075
	56	56	56	48
Filter - Type				
Furnished	Disposable	Disposable	Disposable	Disposable
(NO.) Size Recommended in. [mm x mm x mm]	Yes	Yes	Yes	Yes
	(1)1x16x25 [25x406x635]	(1)1x16x25 [25x406x635]	(1)1x16x25 [25x406x635]	(1)1x16x25 [25x406x635]
	(1)1x16x25 [25x406x635]	(1)1x16x25 [25x406x635]	(1)1x16x25 [25x406x635]	(1)1x16x25 [25x406x635]
Refrigerant Charge Oz. [g]	68 [1928]	68 [1928]	68 [1928]	68 [1928]
Weights				
Net Weight lbs. [kg]	550 [249]	555 [252]	560 [254]	531 [241]
Ship Weight lbs. [kg]	557 [253]	562 [255]	567 [257]	538 [244]

NOTES:

- Cooling Performance is rated at 95° F ambient, 80° F entering dry bulb, 67° F entering wet bulb. Gross capacity does not include the effect of fan motor heat. AHRI capacity is net and includes the effect of fan motor heat. Units are suitable for operation to ±20% of nominal cfm. Units are certified in accordance with the Unitary Air Conditioner Equipment certification program, which is based on AHRI Standard 210/240 or 360.
- EER and/or SEER are rated at AHRI conditions and in accordance with DOE test procedures.
- Heating Performance limit settings and rating data were established and approved under laboratory test conditions using American National Standard Institute standards. Ratings shown are for elevations up to 2000 feet. For elevations above 2000 feet, ratings should be reduced at the rate of 4% for each 1000 feet above sea level.
- Outdoor Sound Rating shown is tested in accordance with AHRI Standard 270.

GENERAL DATA - RKQN MODELS

NOMINAL SIZES 3-5 TONS [10.6-17.6 kW]

Model RKQN- Series	A048DK10	A048DK13	A048DL08	A048DL10
Cooling Performance ¹				Continued ->
Gross Cooling Capacity Btu [kW]	48,000 [14.06]	48,000 [14.06]	48,000 [14.06]	48,000 [14.06]
EER/SEER ²	12.5/15	12.5/15	12.5/15	12.5/15
Nominal CFM/AHRI Rated CFM [L/s]	1600/1600 [755/755]	1600/1600 [755/755]	1600/1600 [755/755]	1600/1600 [755/755]
AHRI Net Cooling Capacity Btu [kW]	46,500 [13.62]	46,500 [13.62]	46,500 [13.62]	46,500 [13.62]
Net Sensible Capacity Btu [kW]	35,700 [10.46]	35,700 [10.46]	35,700 [10.46]	35,700 [10.46]
Net Latent Capacity Btu [kW]	10,800 [3.16]	10,800 [3.16]	10,800 [3.16]	10,800 [3.16]
Net System Power kW	3.69	3.69	3.69	3.69
Heating Performance (Gas) ⁴				
Heating Input Btu [kW]	100,000 [29.3]	135,000 [39.55]	80,000 [23.44]	100,000 [29.3]
Heating Output Btu [kW]	81,000 [23.73]	109,400 [32.05]	64,800 [18.99]	81,000 [23.73]
Temperature Rise Range °F [°C]	40-70 [22.2-38.9]	50-80 [27.8-44.4]	30-60 [16.7-33.3]	40-70 [22.2-38.9]
AFUE %	80	80	80	80
Steady State Efficiency (%)	81	81	81	81
No. Burners	5	6	4	5
No. Stages	1	1	1	1
Gas Connection Pipe Size in. [mm]	0.5 [12.7]	0.5 [12.7]	0.5 [12.7]	0.5 [12.7]
Compressor				
No./Type	1/Scroll	1/Scroll	1/Scroll	1/Scroll
Outdoor Sound Rating (dB) ⁵				
	78	78	78	78
Outdoor Coil - Fin Type				
Tube Type	Louvered	Louvered	Louvered	Louvered
MicroChannel Depth in. [mm]	MicroChannel	MicroChannel	MicroChannel	MicroChannel
Face Area sq. ft. [sq. m]	0.7 [18]	0.7 [18]	0.7 [18]	0.7 [18]
Rows / FPI [FPcm]	16.4 [1.52]	16.4 [1.52]	16.4 [1.52]	16.4 [1.52]
	1 / 23 [9]	1 / 23 [9]	1 / 23 [9]	1 / 23 [9]
Indoor Coil - Fin Type				
Tube Type	Louvered	Louvered	Louvered	Louvered
MicroChannel Depth in. [mm]	MicroChannel	MicroChannel	MicroChannel	MicroChannel
Face Area sq. ft. [sq. m]	1.3 [32]	1.3 [32]	1.3 [32]	1.3 [32]
Rows / FPI [FPcm]	4.8 [0.45]	4.8 [0.45]	4.8 [0.45]	4.8 [0.45]
	1 / 20 [8]	1 / 20 [8]	1 / 20 [8]	1 / 20 [8]
Refrigerant Control	TX Valves	TX Valves	TX Valves	TX Valves
Drain Connection No./Size in. [mm]	1/0.75 [19.05]	1/0.75 [19.05]	1/0.75 [19.05]	1/0.75 [19.05]
Outdoor Fan - Type				
No. Used/Diameter in. [mm]	Propeller	Propeller	Propeller	Propeller
Drive Type/No. Speeds	1/24 [609.6]	1/24 [609.6]	1/24 [609.6]	1/24 [609.6]
CFM [L/s]	Direct/1	Direct/1	Direct/1	Direct/1
No. Motors/HP	3680 [1737]	3680 [1737]	3680 [1737]	3680 [1737]
Motor RPM	1 at 1/3 HP	1 at 1/3 HP	1 at 1/3 HP	1 at 1/3 HP
	1075	1075	1075	1075
Indoor Fan - Type				
No. Used/Diameter in. [mm]	FC Centrifugal	FC Centrifugal	FC Centrifugal	FC Centrifugal
Drive Type	1/10x10 [254x254]	1/10x10 [254x254]	1/10x10 [254x254]	1/10x10 [254x254]
No. Speeds	Direct	Direct	Belt (Adjustable)	Belt (Adjustable)
No. Motors	Multiple	Multiple	Single	Single
Motor HP	1	1	1	1
Motor RPM	3/4	3/4	1/2	1/2
Motor Frame Size	1075	1075	1725	1725
	48	48	48	48
Filter - Type				
Furnished	Disposable	Disposable	Disposable	Disposable
(NO.) Size Recommended in. [mm x mm x mm]	Yes	Yes	Yes	Yes
	(1)1x16x25 [25x406x635]	(1)1x16x25 [25x406x635]	(1)1x16x25 [25x406x635]	(1)1x16x25 [25x406x635]
	(1)1x16x25 [25x406x635]	(1)1x16x25 [25x406x635]	(1)1x16x25 [25x406x635]	(1)1x16x25 [25x406x635]
Refrigerant Charge Oz. [g]	68 [1928]	68 [1928]	68 [1928]	68 [1928]
Weights				
Net Weight lbs. [kg]	536 [243]	541 [245]	549 [249]	554 [251]
Ship Weight lbs. [kg]	543 [246]	548 [249]	556 [252]	561 [254]

NOTES:

- Cooling Performance is rated at 95° F ambient, 80° F entering dry bulb, 67° F entering wet bulb. Gross capacity does not include the effect of fan motor heat. AHRI capacity is net and includes the effect of fan motor heat. Units are suitable for operation to ±20% of nominal cfm. Units are certified in accordance with the Unitary Air Conditioner Equipment certification program, which is based on AHRI Standard 210/240 or 360.
- EER and/or SEER are rated at AHRI conditions and in accordance with DOE test procedures.
- Heating Performance limit settings and rating data were established and approved under laboratory test conditions using American National Standard Institute standards. Ratings shown are for elevations up to 2000 feet. For elevations above 2000 feet, ratings should be reduced at the rate of 4% for each 1000 feet above sea level.
- Outdoor Sound Rating shown is tested in accordance with AHRI Standard 270.

GENERAL DATA - RKQN MODELS

NOMINAL SIZES 3-5 TONS [10.6-17.6 kW]

Model RKQN- Series	A048DL13	A048DM08	A048DM10	A048DM13
Cooling Performance ¹				Continued ->
Gross Cooling Capacity Btu [kW]	48,000 [14.06]	48,000 [14.06]	48,000 [14.06]	48,000 [14.06]
EER/SEER ²	12.5/15	12.5/15	12.5/15	12.5/15
Nominal CFM/AHRI Rated CFM [L/s]	1600/1600 [755/755]	1600/1600 [755/755]	1600/1600 [755/755]	1600/1600 [755/755]
AHRI Net Cooling Capacity Btu [kW]	46,500 [13.62]	46,500 [13.62]	46,500 [13.62]	46,500 [13.62]
Net Sensible Capacity Btu [kW]	35,700 [10.46]	35,700 [10.46]	35,700 [10.46]	35,700 [10.46]
Net Latent Capacity Btu [kW]	10,800 [3.16]	10,800 [3.16]	10,800 [3.16]	10,800 [3.16]
Net System Power kW	3.69	3.69	3.69	3.69
Heating Performance (Gas) ⁴				
Heating Input Btu [kW]	135,000 [39.55]	80,000 [23.44]	100,000 [29.3]	135,000 [39.55]
Heating Output Btu [kW]	109,400 [32.05]	64,800 [18.99]	81,000 [23.73]	109,400 [32.05]
Temperature Rise Range °F [°C]	50-80 [27.8-44.4]	30-60 [16.7-33.3]	40-70 [22.2-38.9]	50-80 [27.8-44.4]
AFUE %	80	80	80	80
Steady State Efficiency (%)	81	81	81	81
No. Burners	6	4	5	6
No. Stages	1	1	1	1
Gas Connection Pipe Size in. [mm]	0.5 [12.7]	0.5 [12.7]	0.5 [12.7]	0.5 [12.7]
Compressor				
No./Type	1/Scroll	1/Scroll	1/Scroll	1/Scroll
Outdoor Sound Rating (dB) ⁵				
	78	78	78	78
Outdoor Coil - Fin Type				
Tube Type	Louvered	Louvered	Louvered	Louvered
MicroChannel Depth in. [mm]	MicroChannel	MicroChannel	MicroChannel	MicroChannel
Face Area sq. ft. [sq. m]	0.7 [18]	0.7 [18]	0.7 [18]	0.7 [18]
Rows / FPI [FPcm]	16.4 [1.52]	16.4 [1.52]	16.4 [1.52]	16.4 [1.52]
	1 / 23 [9]	1 / 23 [9]	1 / 23 [9]	1 / 23 [9]
Indoor Coil - Fin Type				
Tube Type	Louvered	Louvered	Louvered	Louvered
MicroChannel Depth in. [mm]	MicroChannel	MicroChannel	MicroChannel	MicroChannel
Face Area sq. ft. [sq. m]	1.3 [32]	1.3 [32]	1.3 [32]	1.3 [32]
Rows / FPI [FPcm]	4.8 [0.45]	4.8 [0.45]	4.8 [0.45]	4.8 [0.45]
	1 / 20 [8]	1 / 20 [8]	1 / 20 [8]	1 / 20 [8]
Refrigerant Control	TX Valves	TX Valves	TX Valves	TX Valves
Drain Connection No./Size in. [mm]	1/0.75 [19.05]	1/0.75 [19.05]	1/0.75 [19.05]	1/0.75 [19.05]
Outdoor Fan - Type				
No. Used/Diameter in. [mm]	Propeller	Propeller	Propeller	Propeller
Drive Type/No. Speeds	1/24 [609.6]	1/24 [609.6]	1/24 [609.6]	1/24 [609.6]
CFM [L/s]	Direct/1	Direct/1	Direct/1	Direct/1
No. Motors/HP	3680 [1737]	3680 [1737]	3680 [1737]	3680 [1737]
Motor RPM	1 at 1/3 HP	1 at 1/3 HP	1 at 1/3 HP	1 at 1/3 HP
	1075	1075	1075	1075
Indoor Fan - Type				
No. Used/Diameter in. [mm]	FC Centrifugal	FC Centrifugal	FC Centrifugal	FC Centrifugal
Drive Type	1/10x10 [254x254]	1/10x10 [254x254]	1/10x10 [254x254]	1/10x10 [254x254]
No. Speeds	Belt (Adjustable)	Belt (Adjustable)	Belt (Adjustable)	Belt (Adjustable)
No. Motors	Single	Single	Single	Single
Motor HP	1	1	1	1
Motor RPM	1/2	3/4	3/4	3/4
Motor Frame Size	1725	1725	1725	1725
	48	56	56	56
Filter - Type				
Furnished	Disposable	Disposable	Disposable	Disposable
(NO.) Size Recommended in. [mm x mm x mm]	Yes	Yes	Yes	Yes
	(1)1x16x25 [25x406x635]	(1)1x16x25 [25x406x635]	(1)1x16x25 [25x406x635]	(1)1x16x25 [25x406x635]
	(1)1x16x25 [25x406x635]	(1)1x16x25 [25x406x635]	(1)1x16x25 [25x406x635]	(1)1x16x25 [25x406x635]
Refrigerant Charge Oz. [g]	68 [1928]	68 [1928]	68 [1928]	68 [1928]
Weights				
Net Weight lbs. [kg]	559 [254]	550 [249]	555 [252]	560 [254]
Ship Weight lbs. [kg]	566 [257]	557 [253]	562 [255]	567 [257]

NOTES:

- Cooling Performance is rated at 95° F ambient, 80° F entering dry bulb, 67° F entering wet bulb. Gross capacity does not include the effect of fan motor heat. AHRI capacity is net and includes the effect of fan motor heat. Units are suitable for operation to ±20% of nominal cfm. Units are certified in accordance with the Unitary Air Conditioner Equipment certification program, which is based on AHRI Standard 210/240 or 360.
- EER and/or SEER are rated at AHRI conditions and in accordance with DOE test procedures.
- Heating Performance limit settings and rating data were established and approved under laboratory test conditions using American National Standard Institute standards. Ratings shown are for elevations up to 2000 feet. For elevations above 2000 feet, ratings should be reduced at the rate of 4% for each 1000 feet above sea level.
- Outdoor Sound Rating shown is tested in accordance with AHRI Standard 270.

GENERAL DATA - RKQN MODELS

NOMINAL SIZES 3-5 TONS [10.6-17.6 kW]

Model RKQN- Series	A048JK08	A048JK10	A048JK13
Continued ->			
Cooling Performance¹			
Gross Cooling Capacity Btu [kW]	48,000 [14.06]	48,000 [14.06]	48,000 [14.06]
EER/SEER ²	12.5/15	12.5/15	12.5/15
Nominal CFM/AHRI Rated CFM [L/s]	1600/1600 [755/755]	1600/1600 [755/755]	1600/1600 [755/755]
AHRI Net Cooling Capacity Btu [kW]	46,500 [13.62]	46,500 [13.62]	46,500 [13.62]
Net Sensible Capacity Btu [kW]	35,700 [10.46]	35,700 [10.46]	35,700 [10.46]
Net Latent Capacity Btu [kW]	10,800 [3.16]	10,800 [3.16]	10,800 [3.16]
Net System Power kW	3.69	3.69	3.69
Heating Performance (Gas)⁴			
Heating Input Btu [kW]	80,000 [23.44]	100,000 [29.3]	135,000 [39.55]
Heating Output Btu [kW]	64,000 [18.17]	80,000 [22.85]	108,000 [31.06]
Temperature Rise Range °F [°C]	30-60 [16.7-33.3]	40-70 [22.2-38.9]	50-80 [27.8-44.4]
AFUE %	80	80	80
Steady State Efficiency (%)	80	80	80
No. Burners	4	5	6
No. Stages	1	1	1
Gas Connection Pipe Size in. [mm]	0.5 [12.7]	0.5 [12.7]	0.5 [12.7]
Compressor			
No./Type	1/Scroll	1/Scroll	1/Scroll
Outdoor Sound Rating (dB)⁵			
Outdoor Sound Rating (dB) ⁵	78	78	78
Outdoor Coil - Fin Type			
Tube Type	MicroChannel	MicroChannel	MicroChannel
MicroChannel Depth in. [mm]	0.7 [18]	0.7 [18]	0.7 [18]
Face Area sq. ft. [sq. m]	16.4 [1.52]	16.4 [1.52]	16.4 [1.52]
Rows / FPI [FPcm]	1 / 23 [9]	1 / 23 [9]	1 / 23 [9]
Indoor Coil - Fin Type			
Tube Type	MicroChannel	MicroChannel	MicroChannel
MicroChannel Depth in. [mm]	1.3 [32]	1.3 [32]	1.3 [32]
Face Area sq. ft. [sq. m]	4.8 [0.45]	4.8 [0.45]	4.8 [0.45]
Rows / FPI [FPcm]	1 / 20 [8]	1 / 20 [8]	1 / 20 [8]
Refrigerant Control	TX Valves	TX Valves	TX Valves
Drain Connection No./Size in. [mm]	1/0.75 [19.05]	1/0.75 [19.05]	1/0.75 [19.05]
Outdoor Fan - Type			
No. Used/Diameter in. [mm]	1/24 [609.6]	1/24 [609.6]	1/24 [609.6]
Drive Type/No. Speeds	Direct/1	Direct/1	Direct/1
CFM [L/s]	3680 [1737]	3680 [1737]	3680 [1737]
No. Motors/HP	1 at 1/3 HP	1 at 1/3 HP	1 at 1/3 HP
Motor RPM	1075	1075	1075
Indoor Fan - Type			
No. Used/Diameter in. [mm]	1/10x10 [254x254]	1/10x10 [254x254]	1/10x10 [254x254]
Drive Type	Direct	Direct	Direct
No. Speeds	Multiple	Multiple	Multiple
No. Motors	1	1	1
Motor HP	3/4	3/4	3/4
Motor RPM	1075	1075	1075
Motor Frame Size	48	48	48
Filter - Type			
Furnished	Yes	Yes	Yes
(NO.) Size Recommended in. [mm x mm x mm]	(1)1x16x25 [25x406x635]	(1)1x16x25 [25x406x635]	(1)1x16x25 [25x406x635]
Refrigerant Charge Oz. [g]	68 [1928]	68 [1928]	68 [1928]
Weights			
Net Weight lbs. [kg]	531 [241]	536 [243]	541 [245]
Ship Weight lbs. [kg]	538 [244]	543 [246]	548 [249]

NOTES:

- Cooling Performance is rated at 95° F ambient, 80° F entering dry bulb, 67° F entering wet bulb. Gross capacity does not include the effect of fan motor heat. AHRI capacity is net and includes the effect of fan motor heat. Units are suitable for operation to ±20% of nominal cfm. Units are certified in accordance with the Unitary Air Conditioner Equipment certification program, which is based on AHRI Standard 210/240 or 360.
- EER and/or SEER are rated at AHRI conditions and in accordance with DOE test procedures.
- Heating Performance limit settings and rating data were established and approved under laboratory test conditions using American National Standard Institute standards. Ratings shown are for elevations up to 2000 feet. For elevations above 2000 feet, ratings should be reduced at the rate of 4% for each 1000 feet above sea level.
- Outdoor Sound Rating shown is tested in accordance with AHRI Standard 270.

GENERAL DATA - RKQN MODELS

NOMINAL SIZES 3-5 TONS [10.6-17.6 kW]

Model RKQN- Series	A060CK10	A060CK13	A060CV10	A060CV13
Cooling Performance ¹				Continued ->
Gross Cooling Capacity Btu [kW]	59,000 [17.29]	59,000 [17.29]	59,000 [17.29]	59,000 [17.29]
SEER ²	15	15	15	15
EER (1st stage / 2nd stage)	19.9/11.6	19.9/11.6	19.9/11.6	19.9/11.6
AHRI Rated CFM (1st / 2nd stage) [L/s]	1375 / 1800 [649 / 849]	1375 / 1800 [649 / 849]	1375 / 1800 [649 / 849]	1375 / 1800 [649 / 849]
AHRI Net Cooling Capacity (1st / 2nd stage) Btu [kW]	49,000 / 57,000 [14.3/16.7]	49,000 / 57,000 [14.3/16.7]	49,000 / 57,000 [14.3/16.7]	49,000 / 57,000 [14.3/16.7]
Net Sensible Capacity (1st / 2nd stage) Btu [kW]	34,800 / 40,800 [10.2/12.0]	34,800 / 40,800 [10.2/12.0]	34,800 / 40,800 [10.2/12.0]	34,800 / 40,800 [10.2/12.0]
Net Latent Capacity (1st / 2nd stage) Btu [kW]	14,200 / 16,200 [4.2 / 4.8]	14,200 / 16,200 [4.2 / 4.8]	14,200 / 16,200 [4.2 / 4.8]	14,200 / 16,200 [4.2 / 4.8]
Net System Power (1st / 2nd stage) [kW]	2.1 / 4.8	2.1 / 4.8	2.1 / 4.8	2.1 / 4.8
Heating Performance (Gas) ⁴				
Heating Input Btu [kW]	100,000 [29.3]	135,000 [39.55]	100,000 [29.3]	135,000 [39.55]
Heating Output Btu [kW]	81,000 [23.73]	109,400 [32.05]	81,000 [23.73]	109,400 [32.05]
Temperature Rise Range °F [°C]	25-55 [13.9-30.6]	40-70 [22.2-38.9]	25-55 [13.9-30.6]	40-70 [22.2-38.9]
AFUE %	80	80	80	80
Steady State Efficiency (%)	81	81	81	81
No. Burners	5	6	5	6
No. Stages	1	1	1	1
Gas Connection Pipe Size in. [mm]	0.5 [12.7]	0.5 [12.7]	0.5 [12.7]	0.5 [12.7]
Compressor				
No./Type	1/Scroll	1/Scroll	1/Scroll	1/Scroll
Outdoor Sound Rating (dB) ⁵				
	83	83	83	83
Outdoor Coil - Fin Type				
Tube Type	Louvered	Louvered	Louvered	Louvered
MicroChannel Depth in. [mm]	MicroChannel	MicroChannel	MicroChannel	MicroChannel
Face Area sq. ft. [sq. m]	0.7 [18]	0.7 [18]	0.7 [18]	0.7 [18]
Rows / FPI [FPcm]	16.4 [1.52]	16.4 [1.52]	16.4 [1.52]	16.4 [1.52]
	1 / 23 [9]	1 / 23 [9]	1 / 23 [9]	1 / 23 [9]
Indoor Coil - Fin Type				
Tube Type	Louvered	Louvered	Louvered	Louvered
MicroChannel Depth in. [mm]	MicroChannel	MicroChannel	MicroChannel	MicroChannel
Face Area sq. ft. [sq. m]	1.3 [32]	1.3 [32]	1.3 [32]	1.3 [32]
Rows / FPI [FPcm]	4.8 [0.45]	4.8 [0.45]	4.8 [0.45]	4.8 [0.45]
	1 / 20 [8]	1 / 20 [8]	1 / 20 [8]	1 / 20 [8]
Refrigerant Control	TX Valves	TX Valves	TX Valves	TX Valves
Drain Connection No./Size in. [mm]	1/0.75 [19.05]	1/0.75 [19.05]	1/0.75 [19.05]	1/0.75 [19.05]
Outdoor Fan - Type				
No. Used/Diameter in. [mm]	Propeller	Propeller	Propeller	Propeller
Drive Type/No. Speeds	1/24 [609.6]	1/24 [609.6]	1/24 [609.6]	1/24 [609.6]
CFM [L/s]	Direct/1	Direct/1	Direct/1	Direct/1
No. Motors/HP	3930 [1855]	3930 [1855]	3930 [1855]	3930 [1855]
Motor RPM	1 at 1/3 HP	1 at 1/3 HP	1 at 1/3 HP	1 at 1/3 HP
	1075	1075	1075	1075
Indoor Fan - Type				
No. Used/Diameter in. [mm]	FC Centrifugal	FC Centrifugal	FC Centrifugal	FC Centrifugal
Drive Type	1/10x10 [254x254]	1/10x10 [254x254]	1/11x10 [279x254]	1/11x10 [279x254]
No. Speeds	Direct	Direct	Direct	Direct
No. Motors	Multiple	Multiple	Variable	Variable
Motor HP	1	1	1	1
Motor RPM	1	1	1	1
Motor Frame Size	1075	1075	1075	1075
	48	48	48	48
Filter - Type				
Furnished	Disposable	Disposable	Disposable	Disposable
(NO.) Size Recommended in. [mm x mm x mm]	Yes	Yes	Yes	Yes
	(1)1x16x25 [25x406x635]	(1)1x16x25 [25x406x635]	(1)1x16x25 [25x406x635]	(1)1x16x25 [25x406x635]
	(1)1x16x25 [25x406x635]	(1)1x16x25 [25x406x635]	(1)1x16x25 [25x406x635]	(1)1x16x25 [25x406x635]
Refrigerant Charge Oz. [g]	63 [1786]	63 [1786]	63 [1786]	63 [1786]
Weights				
Net Weight lbs. [kg]				
	546 [248]	553 [251]	546 [248]	553 [251]
Ship Weight lbs. [kg]				
	553 [251]	560 [254]	553 [251]	560 [254]

NOTES:

- Cooling Performance is rated at 95° F ambient, 80° F entering dry bulb, 67° F entering wet bulb. Gross capacity does not include the effect of fan motor heat. AHRI capacity is net and includes the effect of fan motor heat. Units are suitable for operation to ±20% of nominal cfm. Units are certified in accordance with the Unitary Air Conditioner Equipment certification program, which is based on AHRI Standard 210/240 or 360.
- EER and/or SEER are rated at AHRI conditions and in accordance with DOE test procedures.
- Heating Performance limit settings and rating data were established and approved under laboratory test conditions using American National Standard Institute standards. Ratings shown are for elevations up to 2000 feet. For elevations above 2000 feet, ratings should be reduced at the rate of 4% for each 1000 feet above sea level.
- Outdoor Sound Rating shown is tested in accordance with AHRI Standard 270.

GENERAL DATA - RKQN MODELS

NOMINAL SIZES 3-5 TONS [10.6-17.6 kW]

Model RKQN- Series	A060DK10	A060DK13	A060DV10	A060DV13
Cooling Performance ¹				Continued ->
Gross Cooling Capacity Btu [kW]	59,000 [17.29]	59,000 [17.29]	59,000 [17.29]	59,000 [17.29]
SEER ²	15	15	15	15
EER (1st stage / 2nd stage)	19.9/11.6	19.9/11.6	19.9/11.6	19.9/11.6
AHRI Rated CFM (1st / 2nd stage) [L/s]	1375 / 1800 [649 / 849]	1375 / 1800 [649 / 849]	1375 / 1800 [649 / 849]	1375 / 1800 [649 / 849]
AHRI Net Cooling Capacity (1st / 2nd stage) Btu [kW]	49,000 / 57,000 [14.3/16.7]	49,000 / 57,000 [14.3/16.7]	49,000 / 57,000 [14.3/16.7]	49,000 / 57,000 [14.3/16.7]
Net Sensible Capacity (1st / 2nd stage) Btu [kW]	34,800 / 40,800 [10.2/12.0]	34,800 / 40,800 [10.2/12.0]	34,800 / 40,800 [10.2/12.0]	34,800 / 40,800 [10.2/12.0]
Net Latent Capacity (1st / 2nd stage) Btu [kW]	14,200 / 16,200 [4.2 / 4.8]	14,200 / 16,200 [4.2 / 4.8]	14,200 / 16,200 [4.2 / 4.8]	14,200 / 16,200 [4.2 / 4.8]
Net System Power (1st / 2nd stage) [kW]	2.1 / 4.8	2.1 / 4.8	2.1 / 4.8	2.1 / 4.8
Heating Performance (Gas) ⁴				
Heating Input Btu [kW]	100,000 [29.3]	135,000 [39.55]	100,000 [29.3]	135,000 [39.55]
Heating Output Btu [kW]	81,000 [23.73]	109,400 [32.05]	81,000 [23.73]	109,400 [32.05]
Temperature Rise Range °F [°C]	25-55 [13.9-30.6]	40-70 [22.2-38.9]	25-55 [13.9-30.6]	40-70 [22.2-38.9]
AFUE %	80	80	80	80
Steady State Efficiency (%)	81	81	81	81
No. Burners	5	6	5	6
No. Stages	1	1	1	1
Gas Connection Pipe Size in. [mm]	0.5 [12.7]	0.5 [12.7]	0.5 [12.7]	0.5 [12.7]
Compressor				
No./Type	1/Scroll	1/Scroll	1/Scroll	1/Scroll
Outdoor Sound Rating (dB) ⁵	83	83	83	83
Outdoor Coil - Fin Type				
Tube Type	Louvered	Louvered	Louvered	Louvered
MicroChannel Depth in. [mm]	MicroChannel	MicroChannel	MicroChannel	MicroChannel
Face Area sq. ft. [sq. m]	0.7 [18]	0.7 [18]	0.7 [18]	0.7 [18]
Rows / FPI [FPcm]	16.4 [1.52]	16.4 [1.52]	16.4 [1.52]	16.4 [1.52]
Rows / FPI [FPcm]	1 / 23 [9]	1 / 23 [9]	1 / 23 [9]	1 / 23 [9]
Indoor Coil - Fin Type				
Tube Type	Louvered	Louvered	Louvered	Louvered
MicroChannel Depth in. [mm]	MicroChannel	MicroChannel	MicroChannel	MicroChannel
Face Area sq. ft. [sq. m]	1.3 [32]	1.3 [32]	1.3 [32]	1.3 [32]
Rows / FPI [FPcm]	4.8 [0.45]	4.8 [0.45]	4.8 [0.45]	4.8 [0.45]
Rows / FPI [FPcm]	1 / 20 [8]	1 / 20 [8]	1 / 20 [8]	1 / 20 [8]
Refrigerant Control	TX Valves	TX Valves	TX Valves	TX Valves
Drain Connection No./Size in. [mm]	1/0.75 [19.05]	1/0.75 [19.05]	1/0.75 [19.05]	1/0.75 [19.05]
Outdoor Fan - Type				
No. Used/Diameter in. [mm]	Propeller	Propeller	Propeller	Propeller
Drive Type/No. Speeds	1/24 [609.6]	1/24 [609.6]	1/24 [609.6]	1/24 [609.6]
CFM [L/s]	Direct/1	Direct/1	Direct/1	Direct/1
No. Motors/HP	3930 [1855]	3930 [1855]	3930 [1855]	3930 [1855]
Motor RPM	1 at 1/3 HP	1 at 1/3 HP	1 at 1/3 HP	1 at 1/3 HP
Motor RPM	1075	1075	1075	1075
Indoor Fan - Type				
No. Used/Diameter in. [mm]	FC Centrifugal	FC Centrifugal	FC Centrifugal	FC Centrifugal
Drive Type	1/10x10 [254x254]	1/10x10 [254x254]	1/11x10 [279x254]	1/11x10 [279x254]
No. Speeds	Direct	Direct	Direct	Direct
No. Motors	Multiple	Multiple	Variable	Variable
Motor HP	1	1	1	1
Motor HP	1	1	1	1
Motor RPM	1075	1075	1075	1075
Motor Frame Size	48	48	48	48
Filter - Type				
Furnished	Disposable	Disposable	Disposable	Disposable
(NO.) Size Recommended in. [mm x mm x mm]	Yes	Yes	Yes	Yes
	(1)1x16x25 [25x406x635]	(1)1x16x25 [25x406x635]	(1)1x16x25 [25x406x635]	(1)1x16x25 [25x406x635]
	(1)1x16x25 [25x406x635]	(1)1x16x25 [25x406x635]	(1)1x16x25 [25x406x635]	(1)1x16x25 [25x406x635]
Refrigerant Charge Oz. [g]	63 [1786]	63 [1786]	63 [1786]	63 [1786]
Weights				
Net Weight lbs. [kg]	546 [248]	553 [251]	602 [273]	609 [276]
Ship Weight lbs. [kg]	553 [251]	560 [254]	609 [276]	616 [279]

NOTES:

- Cooling Performance is rated at 95° F ambient, 80° F entering dry bulb, 67° F entering wet bulb. Gross capacity does not include the effect of fan motor heat. AHRI capacity is net and includes the effect of fan motor heat. Units are suitable for operation to ±20% of nominal cfm. Units are certified in accordance with the Unitary Air Conditioner Equipment certification program, which is based on AHRI Standard 210/240 or 360.
- EER and/or SEER are rated at AHRI conditions and in accordance with DOE test procedures.
- Heating Performance limit settings and rating data were established and approved under laboratory test conditions using American National Standard Institute standards. Ratings shown are for elevations up to 2000 feet. For elevations above 2000 feet, ratings should be reduced at the rate of 4% for each 1000 feet above sea level.
- Outdoor Sound Rating shown is tested in accordance with AHRI Standard 270.

GENERAL DATA - RKQN MODELS

NOMINAL SIZES 3-5 TONS [10.6-17.6 kW]

Model RKQN- Series	A060JK10	A060JK13
Cooling Performance¹		
Gross Cooling Capacity Btu [kW]	59,000 [17.29]	59,000 [17.29]
SEER ²	15	15
EER (1st stage / 2nd stage)	19.9/11.5	19.9/11.5
AHRI Rated CFM (1st / 2nd stage) [L/s]	1375 / 1800 [649 / 849]	1375 / 1800 [649 / 849]
AHRI Net Cooling Capacity (1st / 2nd stage) Btu [kW]	49,000 / 57,000 [14.3/16.7]	49,000 / 57,000 [14.3/16.7]
Net Sensible Capacity (1st / 2nd stage) Btu [kW]	34,800 / 40,800 [10.2/12.0]	34,800 / 40,800 [10.2/12.0]
Net Latent Capacity (1st / 2nd stage) Btu [kW]	14,200 / 16,200 [4.2 / 4.8]	14,200 / 16,200 [4.2 / 4.8]
Net System Power (1st / 2nd stage) [kW]	2.1 / 4.8	2.1 / 4.8
Heating Performance (Gas)⁴		
Heating Input Btu [kW]	100,000 [29.3]	135,000 [39.55]
Heating Output Btu [kW]	80,000 [22.85]	108,000 [31.06]
Temperature Rise Range °F [°C]	25-55 [13.9-30.6]	40-70 [22.2-38.9]
AFUE %	80	80
Steady State Efficiency (%)	80	80
No. Burners	5	6
No. Stages	1	1
Gas Connection Pipe Size in. [mm]	0.5 [12.7]	0.5 [12.7]
Compressor		
No./Type	1/Scroll	1/Scroll
Outdoor Sound Rating (dB)⁵		
	83	83
Outdoor Coil - Fin Type		
Tube Type	Louvered	Louvered
MicroChannel Depth in. [mm]	MicroChannel	MicroChannel
Face Area sq. ft. [sq. m]	0.7 [18]	0.7 [18]
Rows / FPI [FPcm]	16.4 [1.52]	16.4 [1.52]
	1 / 23 [9]	1 / 23 [9]
Indoor Coil - Fin Type		
Tube Type	Louvered	Louvered
MicroChannel Depth in. [mm]	MicroChannel	MicroChannel
Face Area sq. ft. [sq. m]	1.3 [32]	1.3 [32]
Rows / FPI [FPcm]	4.8 [0.45]	4.8 [0.45]
	1 / 20 [8]	1 / 20 [8]
Refrigerant Control	TX Valves	TX Valves
Drain Connection No./Size in. [mm]	1/0.75 [19.05]	1/0.75 [19.05]
Outdoor Fan - Type		
No. Used/Diameter in. [mm]	Propeller	Propeller
Drive Type/No. Speeds	1/24 [609.6]	1/24 [609.6]
CFM [L/s]	Direct/1	Direct/1
No. Motors/HP	3930 [1855]	3930 [1855]
Motor RPM	1 at 1/3 HP	1 at 1/3 HP
	1075	1075
Indoor Fan - Type		
No. Used/Diameter in. [mm]	FC Centrifugal	FC Centrifugal
Drive Type	1/10x10 [254x254]	1/10x10 [254x254]
No. Speeds	Direct	Direct
No. Motors	Multiple	Multiple
Motor HP	1	1
Motor RPM	1	1
Motor Frame Size	1075	1075
	48	48
Filter - Type		
Furnished	Disposable	Disposable
(NO.) Size Recommended in. [mm x mm x mm]	Yes	Yes
	(1)1x16x25 [25x406x635]	(1)1x16x25 [25x406x635]
	(1)1x16x25 [25x406x635]	(1)1x16x25 [25x406x635]
Refrigerant Charge Oz. [g]	63 [1786]	63 [1786]
Weights		
Net Weight lbs. [kg]	546 [248]	553 [251]
Ship Weight lbs. [kg]	553 [251]	560 [254]

NOTES:

- Cooling Performance is rated at 95° F ambient, 80° F entering dry bulb, 67° F entering wet bulb. Gross capacity does not include the effect of fan motor heat. AHRI capacity is net and includes the effect of fan motor heat. Units are suitable for operation to ±20% of nominal cfm. Units are certified in accordance with the Unitary Air Conditioner Equipment certification program, which is based on AHRI Standard 210/240 or 360.
- EER and/or SEER are rated at AHRI conditions and in accordance with DOE test procedures.
- Heating Performance limit settings and rating data were established and approved under laboratory test conditions using American National Standard Institute standards. Ratings shown are for elevations up to 2000 feet. For elevations above 2000 feet, ratings should be reduced at the rate of 4% for each 1000 feet above sea level.
- Outdoor Sound Rating shown is tested in accordance with AHRI Standard 270.

XIII. UNITS WITH ECM BLOWER MOTORS (CV & DV MODELS ONLY)

The ECM (Brushless permanent magnet) motor used on the blower in this product is programmed to operate over a wide range of external static pressures (0.0" - 1.0" W.C.) with essentially constant air flow (CFM). Motor efficiency on ECM type motors is higher than that of P.S.C. type motors normally used on this type product. See air flow performance data tables.

The ECM motor is programmed to provide a "soft" start and stop. On a call for heat or cool, the motor will gradually ramp up to the field selected CFM speed. This eliminates the sudden rush of air and noise normally associated with a P.S.C. type motor. Once the thermostat and blower delay are satisfied, the motor will gradually ramp down as well.

IMPORTANT: Units equipped with ECM motors cannot be used in by-pass zoning applications.

IMPORTANT: The A.C. power plug to the blower motor has locking tabs. It has been shown that by applying excessive force to the A.C. cable half of the connector it is possible to force the connector in backwards. It will not seat and "click" properly but will make connection. If A.C. power is applied with the connector reversed the motor will be immediately destroyed. Do not force power plug into motor connector backwards.

NOTE: Because of the harmonic content of the A.C. Line current to the ECM motor a conventional ammeter will not read correct motor amps. Only a true RMS meter will give accurate AMP readings.

IMPORTANT: The flexibility of ECM motors and the fact that this flexibility is contained in programmed memory, not hardware, emphasizes the need for exact motor numbers for replacement motors. Because they all look the same, ECM MOTORS FROM DIFFERENT PRODUCTS OR DIFFERENT MODELS OF THE SAME PRODUCT MUST NOT BE INTERCHANGED.

IMPORTANT: If an ECM motor is replaced, it is important that the motor be mounted as the original, as far into the blower wheel as practical for proper motor cooling.

IMPORTANT: The ECM motor is controlled directly from the room thermostat (in all modes except heating). In cooling, the motor is controlled from the thermostat "Y" terminal. When the "Y" or "R" thermostat circuit is opened a 30 second delay will occur before the blower motor will cycle. In the heating mode the furnace control board controls the ECM through the blower relay. When the "W" thermostat circuits are opened, a 90 second delay will occur before the blower will cycle off. When the "G" to "R" thermostat circuit is opened for low speed blower, there is no "off" delay. All thermostat sub-base combinations as recommended and provided through the Parts Department have been tested and are compatible with the ECM motor used in this equipment. Some thermostats may not be compatible with the ECM motor provided in this unit. With thermostat in off state, the voltage on control lines "G", "Y", or W with respect to 24 vac common should be less than 3.5 VAC. If the measured voltage is too high, thermostat is incompatible with the ECM motor and will cause the motor to run when it should be off.

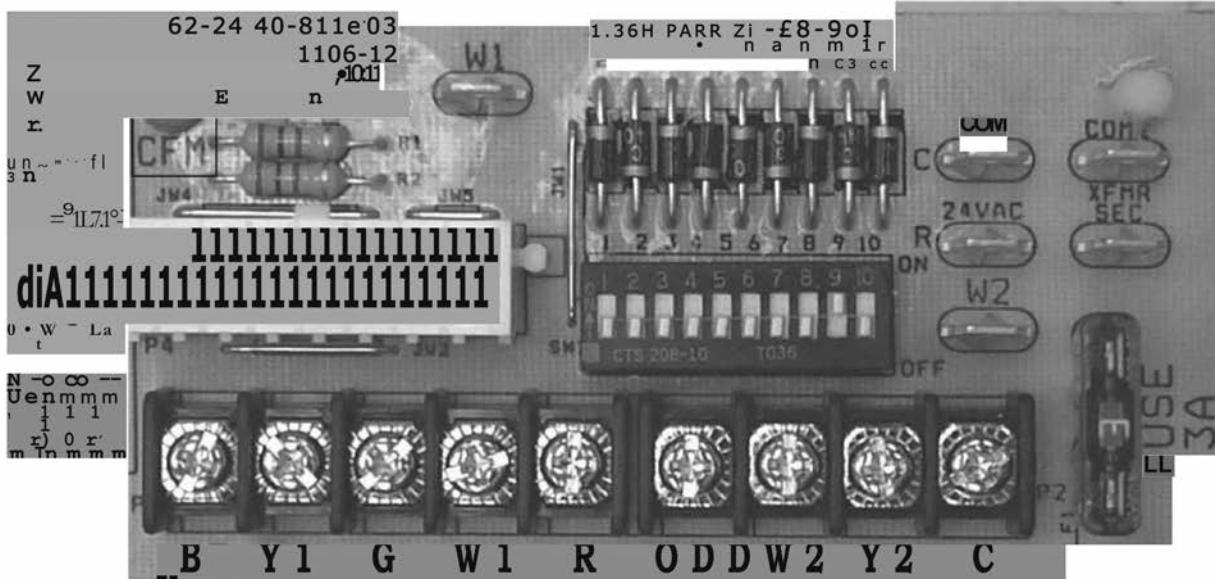
A. ECM MOTOR INTERFACE CONTROL AND SETTINGS (CV & DV UNITS ONLY)

The CV & DV series units use ECM blower motors to deliver a constant level of airflow over a wide range of external static pressures (up to 1.5" W.C.). The interface board provides the required communications between the thermostat/IFC and the ECM blower motor. The interface board features:

- An automotive-style ATC blade fuse for transformer protection (3 amp).

FIGURE 22
ECM INTERFACE BOARD

DO NOT WIRE DIRECTLY TO THIS BOARD. THERMOSTAT SHOULD BE WIRED TO PIGTAILS LOCATED BELOW THE CONTROL BOX.



(THIS BOARD IS LOCATED IN THE BLOWER SECTION)

FIGURE 23
ECM MOTOR SETTINGS



(This board is located in the blower section)

- An on-board LED to indicate blower CFM.
 - Inputs for two-stages of cooling: Y1 (first stage) and Y2 (second stage)
- The DIP switches on the interface board are used to define the operation of the ECM motor (see Table 7).

TABLE 7
SWITCH FUNCTIONS

Switch	Function
1 & 2	Heating & Fan Airflow Settings
3 & 4	Cooling Airflow Adjustment
5 & 6	Cooling Airflow Settings
7 & 8	Not Used
9 & 10	Not Used

Refer to Figure 23 for switch identification and factory default settings.

IMPORTANT: Disconnect power to unit when changing DIP switch positions. Even if blower is not operating, the motor will not recognize changes in DIP switch positions until unit power is removed and then restored.

B. TRANSFORMER PROTECTION

The ECM interface board is equipped with an automotive-style 3 amp ATC blade fuse for transformer protection. (See Figure 22.) If a short circuit occurs on the secondary side of the transformer, the fuse will open

C. USING THE ON-BOARD LED TO DETERMINE BLOWER CFM

The ECM interface board LED, which is located in the blower section (see Figure 22), indicates blower output by flashing. The LED will pause 1/10 second between each flash. After the blower CFM has been displayed, the LED will illuminate dimly for 10 seconds before repeating the sequence. (See Table D.)

TABLE 8
LED FLASH CODES

Interface board DIP switch settings	LED Output
1400 CFM	<ul style="list-style-type: none"> Flashes 14 times Illuminate dimly 10 seconds, repeat sequence
1600 CFM	<ul style="list-style-type: none"> Flashes 16 times Illuminate dimly 10 seconds, repeat sequence
1800 CFM	<ul style="list-style-type: none"> Flashes 18 times Illuminate dimly 10 seconds, repeat sequence
2000 CFM	<ul style="list-style-type: none"> Flashes 21 times Illuminate dimly 10 seconds, repeat sequence
2200 CFM	<ul style="list-style-type: none"> Flashes 24 times Illuminate dimly 10 seconds, repeat sequence

D. AIRFLOW ADJUSTMENTS

FIGURE 24
HEATING AIRFLOW SETTING

CFM	SWITCH 1 POSITION	SWITCH 2 POSITION
1800	OFF	OFF
2000	ON	OFF
2200	OFF	ON
1800	ON	ON

FIGURE 25
COOLING AIRFLOW ADJUSTMENT

SELECTION	SWITCH 3 POSITION	SWITCH 4 POSITION	COOLING AIRFLOW ADJUSTMENT
A	OFF	OFF	NONE
B	ON	OFF	10%
C	OFF	ON	-10%
D	ON	ON	NONE

Cooling airflow may be adjusted +10% or -10% from nominal airflow using switches 3 & 4. Refer to Figure 33 for switch positions to achieve the desired adjustments in airflow.

FIGURE 26
COOLING AIRFLOW SETTING

1 ST STAGE COOLING CFM	2 ND STAGE COOLING CFM	SWITCH 5 POSITION	SWITCH 6 POSITION
1400	1800	OFF	OFF
1600	2000	ON	OFF
1600	2200	OFF	ON
1400	1800	ON	ON

XIV. MISCELLANEOUS

ELECTRICAL DATA - RKNN- SERIES										
		A036CK	A036CL	A036CM	A036DK	A036DL	A036DM	A036JK	A036YL	A036YM
Unit Information	Unit Operating Voltage Range	187-253	187-253	187-253	414-506	414-506	414-506	187-253	517-633	517-633
	Volts	208/230	208/230	208/230	460	460	460	208/230	575	575
	Minimum Circuit Ampacity	17/17	16/16	16/16	11	10	10	24/24	7	7
	Minimum Overcurrent Protection Device Size	20/20	20/20	20/20	15	15	15	30/30	15	15
	Maximum Overcurrent Protection Device Size	25/25	20/20	20/20	15	15	15	35/35	15	15
Compressor Motor	No.	1	1	1	1	1	1	1	1	1
	Volts	208/230	208/230	208/230	460	460	460	208/230	575	575
	Phase	3	3	3	3	3	3	1	3	3
	RPM	3450	3450	3450	3450	3450	3450	3450	3450	3450
	HP, Compressor 1	3	3	3	3	3	3	3	3	3
	Amps (RLA), Comp. 1	9/9	9/9	9/9	5.6	5.6	5.6	14.1/14.1	3.8	3.8
	Amps (LRA), Comp. 1	71/71	71/71	71/71	38	38	38	77/77	36.5	36.5
	HP, Compressor 2									
	Amps (RLA), Comp. 2									
Amps (LRA), Comp. 2										
Condenser Motor	No.	1	1	1	1	1	1	1	1	1
	Volts	208/230	208/230	208/230	460	460	460	208/230	575	575
	Phase	1	1	1	1	1	1	1	1	1
	HP	1/3	1/3	1/3	1/3	1/3	1/3	1/3	1/3	1/3
	Amps (FLA, each)	1.5/1.5	1.5/1.5	1.5/1.5	1	1	1	1.5/1.5	0.8	0.8
	Amps (LRA, each)	3/3	3/3	3/3	1.9	1.9	1.9	3/3	1.9	1.9
Evaporator Fan	No.	1	1	1	1	1	1	1	1	1
	Volts	208/230	208/230	208/230	460	460	460	208/230	575	575
	Phase	1	3	3	1	3	3	1	3	3
	HP	1/2	1/2	1/2	1/2	1/2	1/2	1/2	3/4	3/4
	Amps (FLA, each)	4/4	2.8/2.8	2.8/2.8	2	1.4	1.4	4/4	1.3	1.3
	Amps (LRA, each)	6.7/6.7	11.3/11.3	11.3/11.3	3.6	6.2	6.2	6.7/6.7	6	6

ELECTRICAL DATA - RKNN- SERIES										
		A048CK	A048CL	A048CM	A048DK	A048DL	A048DM	A048JK	A048YL	A048YM
Unit Information	Unit Operating Voltage Range	187-253	187-253	187-253	414-506	414-506	414-506	187-253	517-633	517-633
	Volts	208/230	208/230	208/230	460	460	460	208/230	575	575
	Minimum Circuit Ampacity	22/22	21/21	22/22	11	11	11	31/31	8	8
	Minimum Overcurrent Protection Device Size	30/30	25/25	25/25	15	15	15	40/40	15	15
	Maximum Overcurrent Protection Device Size	35/35	30/30	30/30	15	15	15	50/50	15	15
Compressor Motor	No.	1	1	1	1	1	1	1	1	1
	Volts	208/230	208/230	208/230	460	460	460	208/230	575	575
	Phase	3	3	3	3	3	3	1	3	3
	RPM	3450	3450	3450	3450	3450	3450	3450	3450	3450
	HP, Compressor 1	4	4	4	4	4	4	4	4	4
	Amps (RLA), Comp. 1	13.1/13.1	13.1/13.1	13.1/13.1	6.1	6.1	6.1	19.9/19.9	4.4	4.4
	Amps (LRA), Comp. 1	83.1/83.1	83.1/83.1	83.1/83.1	41	41	41	109/109	33	33
	HP, Compressor 2									
	Amps (RLA), Comp. 2									
Amps (LRA), Comp. 2										
Condenser Motor	No.	1	1	1	1	1	1	1	1	1
	Volts	208/230	208/230	208/230	460	460	460	208/230	575	575
	Phase	1	1	1	1	1	1	1	1	1
	HP	1/3	1/3	1/3	1/3	1/3	1/3	1/3	1/3	1/3
	Amps (FLA, each)	1.5/1.5	1.5/1.5	1.5/1.5	1	1	1	1.5/1.5	0.8	0.8
	Amps (LRA, each)	3/3	3/3	3/3	1.9	1.9	1.9	3/3	1.9	1.9
Evaporator Fan	No.	1	1	1	1	1	1	1	1	1
	Volts	208/230	208/230	208/230	460	460	460	208/230	575	575
	Phase	1	3	3	1	3	3	1	3	3
	HP	1/2	1/2	3/4	1/2	1/2	3/4	1/2	3/4	3/4
	Amps (FLA, each)	4/4	2.8/2.8	3.4/3.4	2	1.4	1.6	4/4	1.3	1.3
	Amps (LRA, each)	6.7/6.7	11.3/11.3	16.8/16.8	3.6	6.2	8.4	6.7/6.7	6	6

ELECTRICAL DATA - RKNN- SERIES										
		A060CK	A060CL	A060CM	A060DK	A060DL	A060DM	A060JK	A060YL	A060YM
Unit Information	Unit Operating Voltage Range	187-253	187-253	187-253	414-506	414-506	414-506	187-253	517-633	517-633
	Volts	208/230	208/230	208/230	460	460	460	208/230	575	575
	Minimum Circuit Ampacity	27/27	26/26	27/27	14	13	13	40/40	10	10
	Minimum Overcurrent Protection Device Size	35/35	30/30	35/35	20	15	15	50/50	15	15
	Maximum Overcurrent Protection Device Size	40/40	40/40	40/40	20	20	20	60/60	15	15
Compressor Motor	No.	1	1	1	1	1	1	1	1	1
	Volts	208/230	208/230	208/230	460	460	460	208/230	575	575
	Phase	3	3	3	3	3	3	1	3	3
	RPM	3450	3450	3450	3450	3450	3450	3450	3450	3450
	HP, Compressor 1	5	5	5	5	5	5	5	5	5
	Amps (RLA), Comp. 1	16/16	16/16	16/16	7.8	7.8	7.8	26.4/26.4	5.7	5.7
	Amps (LRA), Comp. 1	110/110	110/110	110/110	52	52	52	134/134	38.9	38.9
	HP, Compressor 2									
	Amps (RLA), Comp. 2									
	Amps (LRA), Comp. 2									
Condenser Motor	No.	1	1	1	1	1	1	1	1	1
	Volts	208/230	208/230	208/230	460	460	460	208/230	575	575
	Phase	1	1	1	1	1	1	1	1	1
	HP	1/3	1/3	1/3	1/3	1/3	1/3	1/3	1/3	1/3
	Amps (FLA, each)	2.2/2.2	2.2/2.2	2.2/2.2	1	1	1	2.2/2.2	0.8	0.8
	Amps (LRA, each)	4.9/4.9	4.9/4.9	4.9/4.9	1.9	1.9	1.9	4.9/4.9	1.9	1.9
Evaporator Fan	No.	1	1	1	1	1	1	1	1	1
	Volts	208/230	208/230	208/230	460	460	460	208/230	575	575
	Phase	1	3	3	1	3	3	1	3	3
	HP	1	3/4	1	1	3/4	1	1	3/4	1
	Amps (FLA, each)	4.8/4.8	3.4/3.4	4.1/4.1	2.6	1.6	2	4.8/4.8	1.3	1.4
	Amps (LRA, each)	0/0	16.8/16.8	14.6/14.6	0	8.4	12	0/0	6	7.2

ELECTRICAL DATA - RKP-N- SERIES										
		A036CK	A036CL	A036CM	A036DK	A036DL	A036DM	A036JK	A036YL	A036YM
Unit Information	Unit Operating Voltage Range	187-253	187-253	187-253	414-506	414-506	414-506	187-253	517-633	517-633
	Volts	208/230	208/230	208/230	460	460	460	208/230	575	575
	Minimum Circuit Ampacity	17/17	16/16	16/16	11	10	10	24/24	7	7
	Minimum Overcurrent Protection Device Size	20/20	20/20	20/20	15	15	15	30/30	15	15
	Maximum Overcurrent Protection Device Size	25/25	20/20	20/20	15	15	15	35/35	15	15
Compressor Motor	No.	1	1	1	1	1	1	1	1	1
	Volts	208/230	208/230	208/230	460	460	460	208/230	575	575
	Phase	3	3	3	3	3	3	1	3	3
	RPM	3450	3450	3450	3450	3450	3450	3450	3450	3450
	HP, Compressor 1	3	3	3	3	3	3	3	3	3
	Amps (RLA), Comp. 1	9/9	9/9	9/9	5.6	5.6	5.6	14.1/14.1	3.8	3.8
	Amps (LRA), Comp. 1	71/71	71/71	71/71	38	38	38	77/77	36.5	36.5
	HP, Compressor 2									
	Amps (RLA), Comp. 2									
	Amps (LRA), Comp. 2									
Condenser Motor	No.	1	1	1	1	1	1	1	1	1
	Volts	208/230	208/230	208/230	460	460	460	208/230	575	575
	Phase	1	1	1	1	1	1	1	1	1
	HP	1/3	1/3	1/3	1/3	1/3	1/3	1/3	1/3	1/3
	Amps (FLA, each)	1.5/1.5	1.5/1.5	1.5/1.5	1	1	1	1.5/1.5	0.8	0.8
	Amps (LRA, each)	3/3	3/3	3/3	1.9	1.9	1.9	3/3	1.9	1.9
Evaporator Fan	No.	1	1	1	1	1	1	1	1	1
	Volts	208/230	208/230	208/230	460	460	460	208/230	575	575
	Phase	1	3	3	1	3	3	1	3	3
	HP	1/2	1/2	1/2	1/2	1/2	1/2	1/2	3/4	3/4
	Amps (FLA, each)	4/4	2.8/2.8	2.8/2.8	2	1.4	1.4	4/4	1.3	1.3
	Amps (LRA, each)	6.7/6.7	11.3/11.3	11.3/11.3	3.6	6.2	6.2	6.7/6.7	6	6

ELECTRICAL DATA - RKPN- SERIES										
		A048CK	A048CL	A048CM	A048DK	A048DL	A048DM	A048JK	A048YL	A048YM
Unit Information	Unit Operating Voltage Range	187-253	187-253	187-253	414-506	414-506	414-506	187-253	517-633	517-633
	Volts	208/230	208/230	208/230	460	460	460	208/230	575	575
	Minimum Circuit Ampacity	22/22	21/21	22/22	11	11	11	31/31	8	8
	Minimum Overcurrent Protection Device Size	30/30	25/25	25/25	15	15	15	40/40	15	15
	Maximum Overcurrent Protection Device Size	35/35	30/30	30/30	15	15	15	50/50	15	15
Compressor Motor	No.	1	1	1	1	1	1	1	1	1
	Volts	208/230	208/230	208/230	460	460	460	208/230	575	575
	Phase	3	3	3	3	3	3	1	3	3
	RPM	3450	3450	3450	3450	3450	3450	3450	3450	3450
	HP, Compressor 1	4	4	4	4	4	4	4	4	4
	Amps (RLA), Comp. 1	13.1/13.1	13.1/13.1	13.1/13.1	6.1	6.1	6.1	19.9/19.9	4.4	4.4
	Amps (LRA), Comp. 1	83.1/83.1	83.1/83.1	83.1/83.1	41	41	41	109/109	33	33
	HP, Compressor 2									
	Amps (RLA), Comp. 2									
	Amps (LRA), Comp. 2									
Condenser Motor	No.	1	1	1	1	1	1	1	1	1
	Volts	208/230	208/230	208/230	460	460	460	208/230	575	575
	Phase	1	1	1	1	1	1	1	1	1
	HP	1/3	1/3	1/3	1/3	1/3	1/3	1/3	1/3	1/3
	Amps (FLA, each)	1.5/1.5	1.5/1.5	1.5/1.5	1	1	1	1.5/1.5	0.8	0.8
	Amps (LRA, each)	3/3	3/3	3/3	1.9	1.9	1.9	3/3	1.9	1.9
Evaporator Fan	No.	1	1	1	1	1	1	1	1	1
	Volts	208/230	208/230	208/230	460	460	460	208/230	575	575
	Phase	1	3	3	1	3	3	1	3	3
	HP	1/2	1/2	3/4	1/2	1/2	3/4	1/2	3/4	3/4
	Amps (FLA, each)	4/4	2.8/2.8	3.4/3.4	2	1.4	1.6	4/4	1.3	1.3
	Amps (LRA, each)	6.7/6.7	11.3/11.3	16.8/16.8	3.6	6.2	8.4	6.7/6.7	6	6

ELECTRICAL DATA - RKPN- SERIES										
		A060CK	A060CL	A060CM	A060DK	A060DL	A060DM	A060JK	A060YL	A060YM
Unit Information	Unit Operating Voltage Range	187-253	187-253	187-253	414-506	414-506	414-506	187-253	517-633	517-633
	Volts	208/230	208/230	208/230	460	460	460	208/230	575	575
	Minimum Circuit Ampacity	30/30	26/26	27/27	15	13	13	43/43	10	10
	Minimum Overcurrent Protection Device Size	35/35	30/30	35/35	20	15	15	50/50	15	15
	Maximum Overcurrent Protection Device Size	45/45	40/40	40/40	20	20	20	60/60	15	15
Compressor Motor	No.	1	1	1	1	1	1	1	1	1
	Volts	208/230	208/230	208/230	460	460	460	208/230	575	575
	Phase	3	3	3	3	3	3	1	3	3
	RPM	3450	3450	3450	3450	3450	3450	3450	3450	3450
	HP, Compressor 1	5	5	5	5	5	5	5	5	5
	Amps (RLA), Comp. 1	16/16	16/16	16/16	7.8	7.8	7.8	26.4/26.4	5.7	5.7
	Amps (LRA), Comp. 1	110/110	110/110	110/110	52	52	52	134/134	39.9	39.9
	HP, Compressor 2									
	Amps (RLA), Comp. 2									
	Amps (LRA), Comp. 2									
Condenser Motor	No.	1	1	1	1	1	1	1	1	1
	Volts	208/230	208/230	208/230	460	460	460	208/230	575	575
	Phase	1	1	1	1	1	1	1	1	1
	HP	1/3	1/3	1/3	1/3	1/3	1/3	1/3	1/3	1/3
	Amps (FLA, each)	2.2/2.2	2.2/2.2	2.2/2.2	1	1	1	2.2/2.2	0.8	0.8
	Amps (LRA, each)	4.9/4.9	4.9/4.9	4.9/4.9	1.9	1.9	1.9	4.9/4.9	1.9	1.9
Evaporator Fan	No.	1	1	1	1	1	1	1	1	1
	Volts	208/230	208/230	208/230	460	460	460	208/230	575	575
	Phase	1	3	3	1	3	3	1	3	3
	HP	1	3/4	1	1	3/4	1	1	3/4	1
	Amps (FLA, each)	7.6/7.6	3.4/3.4	4.1/4.1	4	1.6	2	7.6/7.6	1.3	1.4
	Amps (LRA, each)	0/0	16.8/16.8	14.6/14.6	0	8.4	12	0/0	6	7.2

ELECTRICAL DATA - RKQN - SERIES										
		A036CK	A036CL	A036CM	A036DK	A036DL	A036DM	A036JK		
Unit Information	Unit Operating Voltage Range	187-253	187-253	187-253	414-506	414-506	414-506	187-253		
	Volts	208/230	208/230	208/230	460	460	460	208/230		
	Minimum Circuit Ampacity	17/17	16/16	16/16	11	10	10	24/24		
	Minimum Overcurrent Protection Device Size	20/20	20/20	20/20	15	15	15	30/30		
	Maximum Overcurrent Protection Device Size	25/25	20/20	25/25	15	15	15	35/35		
Compressor Motor	No.	1	1	1	1	1	1	1		
	Volts	208/230	208/230	208/230	460	460	460	208/230		
	Phase	3	3	3	3	3	3	1		
	RPM	3450	3450	3450	3450	3450	3450	3450		
	HP, Compressor 1	3	3	3	3	3	3	3		
	Amps (RLA), Comp. 1	9/9	9/9	9/9	5.6	5.6	5.6	14.1/14.1		
	Amps (LRA), Comp. 1	71/71	71/71	71/71	38	38	38	77/77		
	HP, Compressor 2									
	Amps (RLA), Comp. 2									
	Amps (LRA), Comp. 2									
Condenser Motor	No.	1	1	1	1	1	1	1		
	Volts	208/230	208/230	208/230	460	460	460	208/230		
	Phase	1	1	1	1	1	1	1		
	HP	1/3	1/3	1/3	1/3	1/3	1/3	1/3		
	Amps (FLA, each)	1.5/1.5	1.5/1.5	1.5/1.5	1	1	1	1.5/1.5		
	Amps (LRA, each)	3/3	3/3	3/3	1.9	1.9	1.9	3/3		
Evaporator Fan	No.	1	1	1	1	1	1	1		
	Volts	208/230	208/230	208/230	460	460	460	208/230		
	Phase	1	3	3	1	3	3	1		
	HP	1/2	1/2	1/2	1/2	1/2	1/2	1/2		
	Amps (FLA, each)	4.1/4.1	2.8/2.8	2.8/2.8	2.1	1.4	1.4	4.1/4.1		
	Amps (LRA, each)	0/0	11.3/11.3	11.3/11.3	0	6.2	6.2	0/0		

ELECTRICAL DATA - RKQN- SERIES										
		A048CK	A048CL	A048CM	A048DK	A048DL	A048DM	A048JK		
Unit Information	Unit Operating Voltage Range	187-253	187-253	187-253	414-506	414-506	414-506	187-253		
	Volts	208/230	208/230	208/230	460	460	460	208/230		
	Minimum Circuit Ampacity	24/24	21/21	22/22	12	11	11	33/33		
	Minimum Overcurrent Protection Device Size	30/30	25/25	25/25	15	15	15	40/40		
	Maximum Overcurrent Protection Device Size	35/35	30/30	30/30	15	15	15	50/50		
Compressor Motor	No.	1	1	1	1	1	1	1		
	Volts	208/230	208/230	208/230	460	460	460	208/230		
	Phase	3	3	3	3	3	3	1		
	RPM	3450	3450	3450	3450	3450	3450	3450		
	HP, Compressor 1	4	4	4	4	4	4	4		
	Amps (RLA), Comp. 1	13.1/13.1	13.1/13.1	13.1/13.1	6.1	6.1	6.1	19.9/19.9		
	Amps (LRA), Comp. 1	83.1/83.1	83.1/83.1	83.1/83.1	41	41	41	109/109		
	HP, Compressor 2									
	Amps (RLA), Comp. 2									
	Amps (LRA), Comp. 2									
Condenser Motor	No.	1	1	1	1	1	1	1		
	Volts	208/230	208/230	208/230	460	460	460	208/230		
	Phase	1	1	1	1	1	1	1		
	HP	1/3	1/3	1/3	1/3	1/3	1/3	1/3		
	Amps (FLA, each)	1.5/1.5	1.5/1.5	1.5/1.5	1	1	1	1.5/1.5		
	Amps (LRA, each)	3/3	3/3	3/3	1.9	1.9	1.9	3/3		
Evaporator Fan	No.	1	1	1	1	1	1	1		
	Volts	208/230	208/230	208/230	460	460	460	208/230		
	Phase	1	3	3	1	3	3	1		
	HP	3/4	1/2	3/4	3/4	1/2	3/4	3/4		
	Amps (FLA, each)	6/6	2.8/2.8	3.4/3.4	3.2	1.4	1.6	6/6		
	Amps (LRA, each)	0/0	11.3/11.3	16.8/16.8	0	6.2	8.4	0/0		

ELECTRICAL DATA - RKQN SERIES									
		A060CK	A060CV	A060DK	A060DV	A060JK			
Unit Information	Unit Operating Voltage Range	187-253	187-253	414-506	414-506	187-253			
	Volts	208/230	208/230	460	460	208/230			
	Minimum Circuit Ampacity	31/31	32/32	15	16	46/46			
	Minimum Overcurrent Protection Device Size	35/35	40/40	20	20	60/60			
	Maximum Overcurrent Protection Device Size	45/45	45/45	20	20	60/60			
Compressor Motor	No.	1	1	1	1	1			
	Volts	208/230	208/230	460	460	208/230			
	Phase	3	3	3	3	1			
	RPM	3450	3450	3450	3450	3450			
	HP, Compressor 1	5	5	5	5	5			
	Amps (RLA), Comp. 1	16.2/16.2	16.2/16.2	7.6	7.6	28.8/28.8			
	Amps (LRA), Comp. 1	110/110	110/110	52	52	152.9/152.9			
	HP, Compressor 2								
	Amps (RLA), Comp. 2								
	Amps (LRA), Comp. 2								
Condenser Motor	No.	1	1	1	1	1			
	Volts	208/230	208/230	460	460	208/230			
	Phase	1	1	1	1	1			
	HP	1/3	1/3	1/3	1/3	1/3			
	Amps (FLA, each)	2.2/2.2	2.2/2.2	1	1	2.2/2.2			
	Amps (LRA, each)	4.9/4.9	4.9/4.9	1.9	1.9	4.9/4.9			
Evaporator Fan	No.	1	1	1	1	1			
	Volts	208/230	208/230	460	460	208/230			
	Phase	1	3	1	3	1			
	HP	1	1	1	1	1			
	Amps (FLA, each)	7.6/7.6	9.1/9.1	4	4.6	7.6/7.6			
	Amps (LRA, each)	0/0	0/0	0	0	0/0			

DIRECT-DRIVE 208 VOLT AIRFLOW PERFORMANCE

Unit Model	Motor Speed From Factory		Heating Input BTU/hr [kW]	Manufacturer Recommended Air-Flow Range (Min/Max) CFM	Blower Size/ Motor HP [w] # of Speeds	Motor Speed	CFM [L/s] Air Delivery/RPM/Watts-230/460 Volts									
							Internal Static Pressure--Inches W.C. [kPa]									
							0.1 [.02]	0.2 [.05]	0.3 [.07]	0.4 [.10]	0.5 [.12]	0.6 [.15]	0.7 [.17]	0.8 [.20]		
RKNN-A036	Cool	Heat	80,000 [23.45]	1050/1350	10x10 1/2 HP [373] 3 Speed Motor (PSC Motor)	Low	CFM	1153	1155	1150	1106	1043	977	809	645	
			Watts				519	503	485	453	418	393	345	289		
			CFM				1296	1303	1290	1269	1212	1143	1015	773		
RKNN-A048	Med	High	120,000 [35.17]	1400/1800	10x10 1/2 HP [373] 3 Speed Motor (PSC Motor)	Med	CFM	594	581	560	539	510	470	432	369	
			Watts				1661	1640	1605	1550	1479	1368	1259	943		
			CFM				778	748	708	671	630	570	530	436		
RKNN-A060	Med	High	80,000 [23.45]	1750/2250	10x10 3/4 HP [559] 3 Speed Motor (PSC Motor)	Low	CFM	1160	1164	1159	1132	1097	1013	913	702	
			Watts				521	503	489	469	444	402	372	300		
			CFM				1302	1299	1290	1268	1216	1144	1083	901		
RKNN-A060	Med	High	100,000 [29.31]	1750/2250	10x10 3/4 HP [559] 3 Speed Motor (PSC Motor)	Med	Watts	576	562	544	525	497	458	434	378	
			CFM				1667	1651	1616	1569	1517	1441	1371	1153		
			Watts				782	751	713	680	644	597	564	485		
RKNN-A060	Med	High	135,000 [39.56]	1750/2250	10x10 3/4 HP [559] 3 Speed Motor (PSC Motor)	High	CFM	1425	1414	1402	1383	1339	1272	1150	1005	
			Watts				580	568	555	536	513	479	442	404		
			CFM				1706	1695	1672	1633	1593	1519	1410	1161		
RKNN-A060	Med	High	100,000 [29.31]	1750/2250	10x10 3/4 HP [559] 3 Speed Motor (PSC Motor)	Med	Watts	717	698	682	655	630	593	546	476	
			CFM				2377	2293	2215	2114	2030	1909	1757	1566		
			Watts				1086	1036	993	947	911	859	800	735		

[] Designates Metric Conversions

DIRECT-DRIVE 230/460 VOLT AIRFLOW PERFORMANCE

Unit Model	Motor Speed From Factory		Heating Input BTU/hr [kW]	Manufacturer Recommended Air- Flow Range (Min/Max) CFM	Blower Size/ Motor HP [w] # of Speeds	Motor Speed	CFM [L/s] Air Delivery/RPM/Watts-230/460 Volts							
							Internal Static Pressure--Inches W.C. [kPa]							
	Cool	Heat	0.1 [.02]	0.2 [.05]	0.3 [.07]	0.4 [.10]	0.5 [.12]	0.6 [.15]	0.7 [.17]	0.8 [.20]				
RKNN-A036	Low	Low	80,000 [23.45]	1050/1350	10x10 1/2 HP [373] 3 Speed Motor (PSC Motor)	Low	CFM 1346	1329	1287	1212	1157	969	838	
		Med	120,000 [35.17]			Watts 596	557	523	483	463	401	371		
		High				CFM 1496	1474	1442	1391	1323	1139	932		
RKNN-A048	Med	Low	80,000 [23.45]	1400/1800	10x10 1/2 HP [373] 3 Speed Motor (PSC Motor)	Low	CFM 1355	1340	1318	1275	1200	1094	912	
		Med	100,000 [29.31]			Watts 598	562	541	512	473	432	385		
		High	135,000 [39.56]			CFM 1504	1474	1440	1396	1324	1215	1087		
RKNN-A060	Med	Low	100,000 [29.31]	1750/2250	10x10 3/4 HP [559] 3 Speed Motor (PSC Motor)	Low	CFM 1875	1798	1740	1679	1602	1464	1268	
		Med	135,000 [39.56]			Watts 677	635	606	576	536	488	442		
		High	100,000 [29.31]			CFM 1846	1798	1740	1679	1602	1464	1268		
RKNN-A060	Med	Low	100,000 [29.31]	1750/2250	10x10 3/4 HP [559] 3 Speed Motor (PSC Motor)	Low	CFM 1649	1609	1580	1528	1461	1319	1112	
		Med	135,000 [39.56]			Watts 679	646	623	593	560	512	457		
		High	100,000 [29.31]			CFM 1952	1880	1816	1746	1647	1546	1309		
RKNN-A060	Med	Low	100,000 [29.31]	1750/2250	10x10 3/4 HP [559] 3 Speed Motor (PSC Motor)	Low	CFM 829	776	742	705	658	618	544	
		Med	135,000 [39.56]			Watts 2471	2279	2177	2066	1973	1802	1614		
		High	100,000 [29.31]			CFM 1177	1087	1046	1000	963	901	842		

[] Designates Metric Conversions

DIRECT-DRIVE 208 VOLT AIRFLOW PERFORMANCE

Unit Model	Motor Speed From Factory		Heating Input BTU/hr [kW]	Manufacturer Recommended Air-Flow Range (Min/Max) CFM	Blower Size/ Motor HP [w] # of Speeds	Motor Speed	CFM [L/s] Air Delivery/RPM/Watts-230/460 Volts									
							Internal Static Pressure--Inches W.C. [kPa]									
							0.1 [.02]	0.2 [.05]	0.3 [.07]	0.4 [.10]	0.5 [.12]	0.6 [.15]	0.7 [.17]	0.8 [.20]		
RKPN-A036	Cool	Heat	80,000 [23.45]	1050/1350	10x10 1/2 HP [373] 3 Speed Motor (PSC Motor)	Low	CFM	1153	1155	1150	1106	1043	977	809	645	
			Watts				519	503	485	453	418	393	345	289		
			CFM				1296	1303	1290	1269	1212	1143	1015	773		
RKPN-A048	Low	Med	120,000 [35.17]	1400/1800	10x10 1/2 HP [373] 3 Speed Motor (PSC Motor)	Med	CFM	594	581	560	539	510	470	432	369	
			Watts				1661	1640	1605	1550	1479	1368	1259	943		
			CFM				778	748	708	671	630	570	530	436		
RKPN-A060	Med	High	80,000 [23.45]	1750/2250	10x10 1 HP [745] 3 Speed Motor (X-13 Motor)	Low	CFM	1160	1164	1159	1132	1097	1013	913	702	
			Watts				521	503	489	469	444	402	372	300		
			CFM				1302	1299	1290	1268	1216	1144	1083	901		
RKPN-A060	Med	High	100,000 [29.31]	1750/2250	10x10 1 HP [745] 3 Speed Motor (X-13 Motor)	Med	Watts	576	562	544	525	497	458	434	378	
			CFM				1667	1651	1616	1569	1517	1441	1371	1153		
			Watts				782	751	713	680	644	597	564	485		
RKPN-A060	Med	High	135,000 [39.56]	1750/2250	10x10 1 HP [745] 3 Speed Motor (X-13 Motor)	High	CFM	1678	1641	1599	1557	1521	1471	1430	1384	
			Watts				354	364	386	409	430	456	470	491		
			CFM				1842	1820	1781	1741	1703	1659	1613	1536		
RKPN-A060	Med	High	100,000 [29.31]	1750/2250	10x10 1 HP [745] 3 Speed Motor (X-13 Motor)	High	Watts	455	479	489	516	529	551	574	571	
			CFM				2476	2417	2336	2229	2120	1965	1816	1625		
			Watts				1010	989	977	918	862	781	707	620		

[] Designates Metric Conversions

DIRECT-DRIVE 230/460 VOLT AIRFLOW PERFORMANCE

Unit Model	Motor Speed From Factory		Heating Input BTU/hr [kW]	Manufacturer Recommended Air- Flow Range (Min/Max) CFM	Blower Size/ Motor HP [w] # of Speeds	Motor Speed	CFM [L/s] Air Delivery/RPM/Watts-230/460 Volts							
							Internal Static Pressure--Inches W.C. [kPa]							
	Cool	Heat					0.1 [.02]	0.2 [.05]	0.3 [.07]	0.4 [.10]	0.5 [.12]	0.6 [.15]	0.7 [.17]	0.8 [.20]
RKPN-A036	Low	Low	80,000 [23.45]	1050/1350	10x10 1/2 HP [373] 3 Speed Motor (PSC Motor)	Low	CFM	1341	1329	1287	1212	1157	969	838
		Watts	596				557	523	483	463	401	371		
		CFM	1496				1474	1442	1391	1323	1139	932		
RKPN-A048	Med	Med	120,000 [35.17]	1400/1800	10x10 1/2 HP [373] 3 Speed Motor (PSC Motor)	Med	CFM	697	653	622	591	550	486	431
		Watts	1868				1786	1719	1636	1521	1345	1037		
		CFM	870				799	754	713	657	591	503		
RKPN-A060	High	High	80,000 [23.45]	1750/2250	10x10 1 HP [745] 3 Speed Motor (X-13 Motor)	High	CFM	1355	1340	1318	1275	1200	1094	912
		Watts	598				562	541	512	473	432	385		
		CFM	1504				1474	1440	1396	1324	1215	1087		
RKPN-A060	Med	Med	100,000 [29.31]	1750/2250	10x10 1 HP [745] 3 Speed Motor (X-13 Motor)	Med	CFM	677	635	606	576	536	488	442
		Watts	1875				1798	1740	1679	1602	1464	1268		
		CFM	874				805	765	729	688	629	559		
RKPN-A060	High	High	135,000 [39.56]	1750/2250	10x10 1 HP [745] 3 Speed Motor (X-13 Motor)	High	CFM	1678	1599	1557	1521	1471	1430	1384
		Watts	354				386	409	430	456	470	491		
		CFM	1842				1781	1741	1703	1659	1613	1536		
RKPN-A060	Med	Med	100,000 [29.31]	1750/2250	10x10 1 HP [745] 3 Speed Motor (X-13 Motor)	Med	CFM	455	489	516	529	551	574	571
		Watts	2476				2336	2229	2120	1965	1816	1625		
		CFM	1010				977	918	862	781	707	620		

[] Designates Metric Conversions

DIRECT-DRIVE 208/230/460 VOLT AIRFLOW PERFORMANCE

Unit Model	Motor Speed From Factory		Heating Input BTU/hr [kW]	Manufacturer Recommended Air-Flow Range (Min/Max) CFM	Blower Size/ Motor HP [w] # of Speeds	Motor Speed	CFM [L/s] Air Delivery/RPM/Watts-230/460 Volts									
							Internal Static Pressure--Inches W.C. [kPa]									
							0.1 [.02]	0.2 [.05]	0.3 [.07]	0.4 [.10]	0.5 [.12]	0.6 [.15]	0.7 [.17]	0.8 [.20]		
RKQN-A036	Cool	Low (Tap 2)	80,000 [23.45]	1050/1350	10x10 1/2 HP [373] 3 Speed Motor (X-13 Motor)	Low (Tap 2)	CFM	1345	1302	1260	1220	1178	1122	1076	979	
							Watts	215	230	245	260	274	284	303	320	
	Heat	Med. (Tap 3) High (Tap 4)	120,000 [35.17]			Med. (Tap 3) High (Tap 4)	CFM	1438	1398	1360	1322	1284	1245	1200	1137	
							Watts	261	276	291	306	320	334	348	362	
RKQN-A048	Cool	Med (Tap 2)	100,000 [29.31] 135,000 [39.56]	1400/1800	10x10 3/4 HP [559] 4 Speed Motor (X-13 Motor)	Med. (Tap 3) High (Tap 4)	CFM	1677	1639	1597	1559	1522	1487	1432	1390	
							Watts	354	367	382	396	412	425	442	459	
	Heat	High (Tap 4)				High (Tap 4)	CFM	1795	1758	1718	1688	1645	1607	1571	1535	
							Watts	429	445	459	473	493	508	525	541	
RKQN-A060	Cool	Low Cool (Tap 1) High Cool (Tap 3)	100,000 [29.31]	1st Stage Cool 1350/1400 2nd Stage Cool 1750/2250	10x10 1 HP [745] 5 Speed Motor (X-13 Motor)	Low Cool (Tap 2) High (Tap 3)	CFM	1404	1369	1326	1265	1221	1166	1107	1043	
							Watts	233	250	270	280	300	319	340	344	
	Heat	Low (Tap 2)				Low (Tap 2)	CFM	1678	1641	1599	1557	1521	1471	1430	1384	
							Watts	354	364	386	409	430	456	470	491	
High	High (Tap 3)				Med. (Tap 3)	CFM	1842	1820	1781	1741	1703	1659	1613	1536		
						Watts	455	479	489	516	529	551	574	571		
High	High (Tap 3)		135,000 [39.56]			Med. (Tap 4) High (Tap 5)	CFM	1842	1820	1781	1741	1703	1659	1613	1536	
							Watts	455	479	489	516	529	551	574	571	
High	High (Tap 3)				High (Tap 5)	CFM	2476	2417	2336	2229	2120	1965	1816	1625		
						Watts	1010	989	977	918	862	781	707	620		

[] Designates Metric Conversions

AIRFLOW PERFORMANCE-3 TON [10.55 Kw] THREE PHASE BELT DRIVE

Capacity 3 Ton [10.55 kW]		External Static Pressure - Inches of Water [kPa]																																												
Voltage 208/230/460/575, 3-Phase		0.1 [0.02]			0.2 [0.05]			0.3 [0.07]			0.4 [0.10]			0.5 [0.12]			0.6 [0.15]			0.7 [0.17]			0.8 [0.20]			0.9 [0.22]			1.0 [0.25]			1.1 [0.27]			1.2 [0.30]			1.3 [0.32]			1.4 [0.35]			1.5 [0.37]		
Air Flow CFM [L/s]	RPM	W	RPM	W	RPM	W	RPM	W	RPM	W	RPM	W	RPM	W	RPM	W	RPM	W	RPM	W	RPM	W	RPM	W	RPM	W	RPM	W	RPM	W	RPM	W	RPM	W	RPM	W										
900 [425]	—	—	—	699	223	765	261	827	292	886	318	941	338	993	352	1042	360	1087	362	1129	358	1168	348	1203	332	1235	310	1264	282																	
1000 [472]	—	—	662	228	717	258	781	293	842	323	899	346	952	364	1002	376	1049	381	1093	381	1133	374	1170	362	1203	344	1233	320	1260	289																
1100 [519]	—	—	667	275	737	295	798	328	857	355	912	377	964	392	1012	401	1057	404	1099	402	1137	393	1172	378	1204	358	1232	331	1257	298																
1200 [566]	643	278	693	298	756	334	817	365	873	390	927	409	976	422	1023	428	1066	429	1106	424	1143	413	1176	396	1205	373	1232	344	1255	309																
1300 [614]	661	316	716	341	777	376	835	404	890	426	942	443	990	453	1035	458	1076	456	1114	449	1149	435	1180	416	1208	391	1232	359	1254	322																
1400 [661]	669	352	739	387	799	419	855	445	908	465	958	479	1004	487	1047	489	1087	485	1123	475	1156	460	1185	438	1211	410	1234	377	1253	337																
1500 [708]	702	399	763	434	821	464	876	487	927	505	975	517	1019	523	1060	522	1098	516	1132	504	1163	486	1191	462	1215	432	1236	396	1254	354																

NOTE: L-DRIVE LEFT OF BOLD LINE, M-DRIVE RIGHT OF BOLD LINE

Drive Package	L	M
Motor H.P. [kW]	1/2 [373]	1/2 [373]
Blower Sheave	6.9" Pitch Diameter	6.4" Pitch Diameter
Motor Sheave	2.4" - 3.4" Pitch Diameter	3.4" - 4.4" Pitch Diameter
Turns Open	0 1 2 3 4 5 0	1 2 3 4 5
RPM	910 869 818 775 728 682	1176 1145 1108 1060 996 968
		N Drive (Field Supplied)
		1/2 [373]
		5.7" Pitch Diameter
		3.4" - 4.4" Pitch Diameter
		RPM Range - 1030-1330

COMPONENT AIR RESISTANCE

Component	Standard Indoor Airflow -- CFM [L/s]			
	1000 [472]	1200 [566]	1400 [661]	1600 [755]
Wet Coil	0.035	0.040	0.060	0.070
Downflow	0.055	0.060	0.066	0.072
R.S.I. Economizer Damper	0.05	0.06	0.07	0.08
			0.09	0.10
			0.085	0.100
			0.080	0.086

NOTES:

- Performance shown with dry coil & standard 2" [50.8 mm] filters.
- Standard CFM @ .075 lbs./cu.ft.
- Motor efficiency = 80%
- BHP = Watts X Motor Efficiency/746.
- Add component resistance to duct static to determine E.S.P as shown on charts.

[] Designates Metric Conversions

AIRFLOW PERFORMANCE-4 TON [14.07 Kw] THREE PHASE BELT DRIVE

Air Flow CFM [L/s]		External Static Pressure - Inches of Water [kPa]																											
		0.1 [.02]		0.2 [.05]		0.3 [.07]		0.4 [.10]		0.5 [.12]		0.6 [.15]		0.7 [.17]		0.8 [.20]		0.9 [.22]		1.0 [.25]		1.1 [.27]		1.2 [.30]		1.3 [.32]		1.4 [.35]	
RPM	W	RPM	W	RPM	W	RPM	W	RPM	W	RPM	W	RPM	W	RPM	W	RPM	W	RPM	W	RPM	W	RPM	W	RPM	W	RPM	W	RPM	W
1200 [566]	—	—	—	—	—	817	425	879	440	940	456	999	475	1057	496	1113	519	1168	545	1221	572	1272	602	1322	634	1371	669	1420	704
1300 [614]	—	—	—	—	—	838	437	899	457	958	479	1015	503	1071	529	1126	558	1178	589	1230	622	1279	657	1327	695	1374	734	1421	773
1400 [661]	—	—	—	—	—	861	418	919	482	976	510	1032	539	1086	571	1138	605	1189	641	1239	680	1286	720	1333	763	1377	808	1421	853
1500 [708]	—	—	—	—	—	883	486	940	517	995	549	1048	584	1101	622	1151	661	1200	703	1248	746	1294	792	1338	841	1382	890	1426	939
1600 [755]	—	—	—	—	—	905	490	957	523	1013	559	1065	638	1115	681	1164	725	1211	772	1257	821	1301	873	1343	926	1385	979	1427	1032
1700 [802]	—	—	—	—	—	928	530	981	611	1032	654	1082	700	1130	748	1177	798	1222	851	1266	905	1308	962	1349	1021	1390	1080	1431	1139
1800 [850]	791	490	844	537	898	579	950	624	1002	670	1051	719	1099	771	1146	824	1190	880	1234	937	1276	997	1316	1059	1124	1394	1189	—	—
1900 [897]	816	543	870	589	923	637	973	687	1023	739	1070	793	1116	850	1161	908	1204	969	1245	1033	1285	1098	1324	1166	1235	1398	1304	—	—
2000 [944]	845	599	897	650	947	703	996	758	1044	816	1089	875	1134	937	1176	1002	1217	1068	1257	1137	1295	1207	1332	1280	1367	1355	—	—	—

NOTE: L-DRIVE LEFT OF BOLD LINE, M-DRIVE RIGHT OF BOLD LINE

Drive Package	L	M
Motor H.P. [W]	1/2 [373]	3/4 [559]
Blower Sheave	6.4" Pitch Diameter	5.7" Pitch Diameter
Motor Sheave	2.8" - 3.8" Pitch Diameter	3.4" - 4.4" Pitch Diameter
Turns Open	0 1 2 3 4 5	0 1 2 3 4 5
RPM	1029 984 950 915 855 816	1281 1207 1174 1141 1111 1071

COMPONENT AIR RESISTANCE

Component	Standard Indoor Airflow -- CFM [L/s]					
	1000 [472]	1200 [566]	1400 [661]	1600 [755]	1800 [850]	2000 [944]
Wet Coil	0.035	0.040	0.060	0.070	0.085	0.100
Downflow	0.055	0.060	0.066	0.072	0.080	0.086
R.S.I. Economizer R.A. Damper	0.05	0.06	0.07	0.08	0.09	0.10

NOTES:

1. Performance shown with dry coil & standard 2" [50.8 mm] filters.
2. Standard CFM @ .075 lbs./cu.ft.
3. Motor efficiency = 80%
4. BHP = Watts X Motor Efficiency/746.
5. Add component resistance to duct static to determine E.S.P as shown on charts.

[] Designates Metric Conversions

AIRFLOW PERFORMANCE-5 TON [17.6 Kw] THREE PHASE BELT DRIVE

Air Flow CFM [L/s]		External Static Pressure - Inches of Water [kPa]																													
		0.1 [0.02]		0.2 [0.05]		0.3 [0.07]		0.4 [0.10]		0.5 [0.12]		0.6 [0.15]		0.7 [0.17]		0.8 [0.20]		0.9 [0.22]		1.0 [0.25]		1.1 [0.27]		1.2 [0.30]		1.3 [0.32]		1.4 [0.35]		1.5 [0.37]	
		RPM	W	RPM	W	RPM	W	RPM	W	RPM	W	RPM	W	RPM	W	RPM	W	RPM	W	RPM	W	RPM	W	RPM	W	RPM	W	RPM	W	RPM	W
1400 [661]	—	—	—	795	405	848	423	910	466	970	511	1029	557	1086	606	1142	655	1196	706	1249	758	1300	812	1350	868	1398	925	1438	965		
1500 [708]	—	—	—	809	413	871	458	931	504	989	552	1046	602	1100	654	1155	705	1208	759	1259	815	1308	872	1356	930	1457	1125	1558	1320		
1600 [755]	—	—	—	796	430	835	454	894	502	952	551	1009	602	1064	655	1118	709	1170	764	1220	821	1270	880	1317	940	1363	1001	1451	1539		
1700 [802]	—	—	—	811	470	861	504	919	555	975	607	1030	661	1079	708	1135	773	1185	832	1234	892	1281	953	1327	1017	1371	1081	1442	1513		
1800 [850]	792	485	831	510	888	563	944	616	999	672	1051	729	1094	760	1153	847	1201	908	1248	971	1293	1036	1337	1102	1380	1170	1440	1500	1650		
1900 [897]	804	521	861	575	916	630	970	686	1023	745	1074	805	1123	866	1171	929	1218	994	1263	1060	1307	1127	1349	1196	1389	1267	1443	1534	1801		
2000 [944]	836	591	891	647	945	706	997	765	1048	827	1098	894	1145	954	1191	1020	1236	1087	1279	1156	1320	1227	1361	1299	1399	1373	1437	1447	—		
2100 [991]	870	669	923	729	975	790	1025	853	1074	917	1121	983	1167	1050	1211	1119	1254	1190	1295	1262	1335	1336	1374	1411	1410	1486	1446	1561	—		
2200 [1038]	904	756	955	819	1005	883	1054	949	1101	1021	1146	1085	1190	1156	1232	1228	1273	1301	1313	1376	1351	1453	1387	1531	1422	1609	—	—	—		
2300 [1085]	939	852	988	918	1036	985	1084	1058	1128	1124	1172	1196	1214	1270	1254	1345	1294	1421	1331	1499	1367	1579	1402	1615	1434	1634	—	—	—		
2400 [1133]	975	957	1022	1025	1068	1096	1113	1167	1156	1241	1198	1316	1238	1392	1277	1470	1315	1550	1350	1631	1385	1713	1420	1748	—	—	—	—	—		
2500 [1179]	1011	1070	1057	1142	1096	1126	1144	1290	1186	1366	1226	1444	1264	1523	1301	1604	1336	1687	1370	1771	—	—	—	—	—	—	—	—	—		

NOTE: L-DRIVE LEFT OF BOLD LINE, M-DRIVE RIGHT OF BOLD LINE

Drive Package	L		M	
Motor H.P. [W]	3/4 [559]		1 [746]	
Blower Sheave	6.4" Pitch Diameter		6.4" Pitch Diameter	
Motor Sheave	2.8" - 3.8" Pitch Diameter		3.4" - 4.4" Pitch Diameter	
Turns Open	0	1	2	3
RPM	1025	992	945	909
			867	810
			1353	1305
			1258	1223
			1167	1130

COMPONENT AIR RESISTANCE

Component	Standard Indoor Airflow -- CFM [L/s]				
	1600 [755]	1800 [850]	2000 [944]	2200 [1038]	2400 [1133]
Wet Coil	0.070	0.085	0.100	0.110	0.120
Downflow	0.072	0.080	0.086	0.093	0.100
R.S.I. Economizer Damper	0.08	0.09	0.10	0.11	0.12
				0.13	0.13

NOTES:

1. Performance shown with dry coil & standard 2" [50.8 mm] filters.
2. Standard CFM @ .075 lbs./cu.ft.
3. Motor efficiency = 80%
4. BHP = Watts X Motor Efficiency/746.
5. Add component resistance to duct static to determine E.S.P as shown on charts.

[] Designates Metric Conversions

AIRFLOW PERFORMANCE-5 TON [17.6 Kw] THREE PHASE BELT DRIVE

Air Flow CFM [L/s]		External Static Pressure - Inches of Water [kPa]																												
		0.1 [0.02]	0.2 [0.05]	0.3 [0.07]	0.4 [0.10]	0.5 [0.12]	0.6 [0.15]	0.7 [0.17]	0.8 [0.20]	0.9 [0.22]	1.0 [0.25]	1.1 [0.27]	1.2 [0.30]	1.3 [0.32]	1.4 [0.35]	1.5 [0.37]														
RPM	W	RPM	W	RPM	W	RPM	W	RPM	W	RPM	W	RPM	W	RPM	W	RPM	W	RPM	W	RPM	W	RPM	W							
1400 [661]	—	—	—	—	784	466	835	497	886	533	574	983	621	1030	674	1077	732	1122	795	1166	864	1209	939	1251	1019	1292	1104			
1500 [708]	—	—	—	—	800	484	850	519	899	558	604	994	655	1040	711	1085	773	1129	841	1172	914	1214	992	1255	1076	1295	1166			
1600 [755]	—	—	—	—	766	478	816	511	865	549	643	1006	698	1051	758	1095	824	1137	895	1179	972	1220	1055	1260	1143	1300	1231			
1700 [802]	—	—	—	—	785	509	833	546	881	589	690	1018	749	1062	813	1105	883	1146	959	1187	1040	1227	1126	1265	1218	1303	1310			
1800 [850]	—	—	—	—	755	505	804	550	851	591	698	837	943	689	747	1031	810	1074	878	1115	952	1156	1031	1195	1116	1234	1207	1302	1308	1397
1900 [897]	716	491	776	560	823	600	869	645	915	695	959	751	1003	812	1045	879	1086	951	1127	1029	1166	1113	1204	1202	1242	1296	1278	1396	1314	1496
2000 [944]	745	562	797	615	843	658	889	707	933	762	976	821	1018	887	1059	958	1099	1034	1139	1116	1177	1203	1214	1296	1250	1394	1285	1498	1320	1602
2100 [991]	773	637	819	679	864	726	908	779	951	837	993	901	1034	970	1074	1045	1113	1125	1151	1211	1188	1303	1224	1399	1259	1502	1293	1609	—	—
2200 [1038]	797	706	842	751	886	803	929	860	971	922	1011	990	1051	1063	1090	1142	1128	1226	1165	1316	1200	1411	1235	1512	1269	1618	—	—	—	—
2300 [1085]	822	783	865	833	908	888	950	949	990	1015	1030	1087	1069	1164	1106	1247	1143	1335	1179	1429	1213	1528	1247	1633	1279	1743	—	—	—	—
2400 [1133]	847	870	889	924	931	983	971	1048	1011	1118	1049	1194	1087	1275	1123	1362	1159	1454	1193	1551	1227	1655	1259	1763	1291	1878	—	—	—	—
2500 [1179]	873	966	914	1023	954	1087	994	1155	1032	1229	1069	1309	1106	1394	1141	1485	1175	1581	1209	1683	1241	1790	1272	1903	—	—	—	—	—	—

NOTE: L-DRIVE LEFT OF BOLD LINE, M-DRIVE RIGHT OF BOLD LINE

Drive Package	L	M	N Drive (Field Supplied)
Motor H.P. [W]	3/4 [559]	1 [746]	1 [746]
Blower Sheave	6.9" Pitch Diameter	6.9" Pitch Diameter	6.4" Pitch Diameter
Motor Sheave	2.8" - 3.8" Pitch Diameter	4.0" - 5.0" Pitch Diameter	4.0" - 5.0" Pitch Diameter
Turns Open	0 1 2 3 4 5	0 1 2 3 4 5	5
RPM	967 936 900 855 816 769	1248 1203 1163 1123 1078 1042	1042

COMPONENT AIR RESISTANCE

Component	Standard Indoor Airflow -- CFM [L/s]			
	1600 [755]	1800 [850]	2000 [944]	2200 [1038]
Wet Coil	0.070	0.085	0.100	0.110
Downflow	0.072	0.080	0.086	0.093
R.S.I. Economizer Damper	0.08	0.09	0.10	0.11
				0.12
				0.13

NOTES:

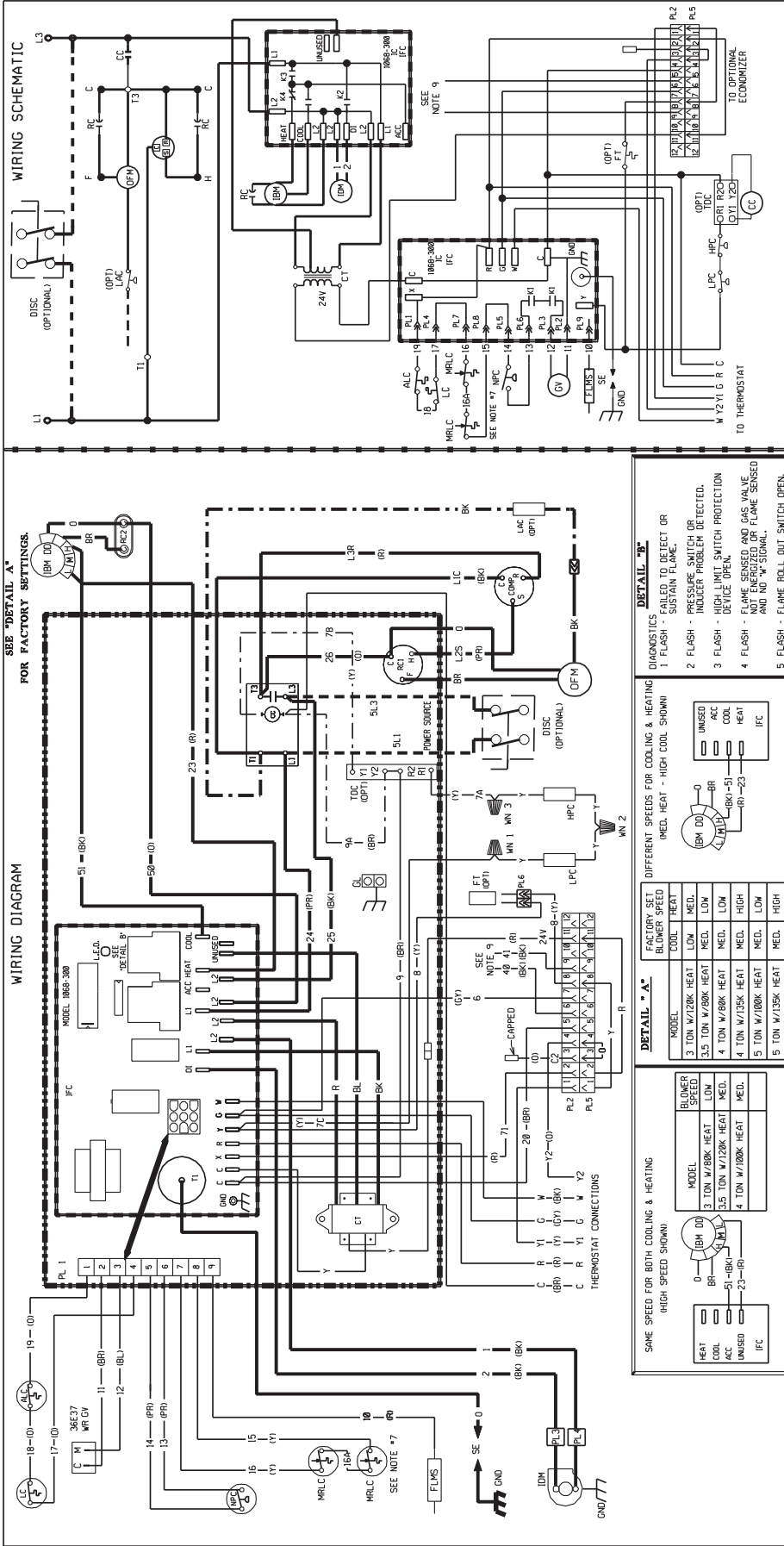
1. Performance shown with dry coil & standard 2" [50.8 mm] filters.
2. Standard CFM @ .075 lbs./cu.ft.
3. Motor efficiency = 80%
4. BHP = Watts X Motor Efficiency/746.
5. Add component resistance to duct static to determine E.S.P as shown on charts.

[] Designates Metric Conversions

5-TON 15 SEER 2-STAGE CV & DV MODELS		CFM Setting	CFM [L/s] Air Delivery/RPM/Watts-208/230/460 Volts																
			External Static Pressure--Inches W.C. [kPa]																
			0.1 [.02]	0.2 [.05]	0.3 [.07]	0.4 [.10]	0.5 [.12]	0.6 [.15]	0.7 [.17]	0.8 [.20]	0.9 [.22]	1.0 [.25]	1.1 [.27]	1.2 [.30]	1.3 [.32]	1.4 [.35]	1.5 [.37]		
1st Stage Cooling	FACTORY SETTING	CFM	1393	1418	1443	1463	1470	1448	1456	1463	1415	1403	1376	1341	1289	1265	1229		
		RPM	610	688	754	800	873	940	992	1026	1080	1130	1160	1186	1213	1254	1292		
		Watts	215	266	314	350	409	466	515	550	599	653	683	710	742	791	835		
	OPTIONAL	CFM	1579	1599	1626	1642	1647	1642	1642	1651	1648	1644	1633	1616	1570	1523	1499	1397	
		RPM	676	734	793	850	903	952	1004	1054	1095	1139	1186	1225	1265	1297	1321		
		Watts	302	349	404	454	508	560	614	670	717	772	836	885	942	988	989		
	2nd Stage Cooling	FACTORY SETTING	CFM	1758	1784	1796	1801	1820	1825	1834	1826	1832	1830	1814	1817	1795	1682	1561	
			RPM	722	782	836	874	932	971	1022	1065	1114	1150	1189	1231	1273	1319	1348	
			Watts	392	451	508	547	615	664	728	786	854	908	968	1036	1106	1147	1127	
OPTIONAL		CFM	2075	2087	2088	2085	2090	2101	2114	2106	2105	2101	2034	2001	1943	1855	1628		
		RPM	798	843	897	936	981	1018	1057	1096	1136	1170	1203	1241	1272	1309	1349		
		Watts	590	646	714	769	835	890	953	1014	1082	1137	1167	1193	1220	1241	1186		
OPTIONAL		CFM	2222	2220	2239	2244	2261	2236	2216	2180	2146	2110	2051	2010	1958	1863	1636		
		RPM	841	883	933	971	1008	1046	1075	1106	1141	1173	1207	1238	1273	1312	1351		
		Watts	717	777	856	921	984	1037	1054	1083	1115	1143	1176	1201	1233	1250	1195		

NOTE: Reference "UNITS WITH ECM MOTORS" in Table of Contents for airflow adjustments.

FIGURE 27
WIRING DIAGRAM



SEE "DETAIL A"
FOR FACTORY SETTINGS.

WIRING DIAGRAM

WIRING SCHEMATIC

WIRE COLOR CODE

O---ORANGE
BK---BLACK
BR---BROWN
BL---BLUE
G---GREEN
CY---GRAY
W---WHITE
Y---YELLOW

ELECTRICAL WIRING DIAGRAM
208 / 230, 1 PHASE
DIRECT DRIVE

DR. BY APP. BY DATE DWG. NO. REV
MGR 2-11-13 90-23596-40 01

WIRING INFORMATION

LINE VOLTAGE
-FACTORY STANDARD
-FIELD INSTALLED
-FACTORY OPTION
-FIELD INSTALLED
-FACTORY STANDARD
-FIELD INSTALLED
REPLACEMENT WIRE
-MUST BE THE SAME SIZE AND TYPE OF INSULATION AS ORIGINAL (105 C.MIN.)
-CABINET MUST BE PERMANENTLY GROUNDED AND CONFORM TO I.E.C., N.E.C., C.E.C., NATIONAL WIRING REGULATIONS, AND LOCAL CODES AS APPLICABLE.

NOTES:

1. CONNECTORS SUITABLE FOR USE WITH COPPER CONDUCTORS ONLY.
2. COMPRESSOR MOTOR THERMALLY PROTECTED. ALL 3 PHASE MODELS PROTECTED UNDER SINGLE PHASE CONDITIONS.
3. CONTROLS FOR PRIMARY CONDENSERS. BLACK-208V. TRANSFORMER FACTORY WIRED FOR 208 VOLTS. INTERCHANGE BLACK FOR BLUE LEADS FOR 208V OPERATION.
4. INTERCHANGE FACTORY WIRED. CONNECT FIELD WIRE TO FACTORY SUPPLIED CONTACTOR IN ELECTRICAL BOX.
5. LOW VOLTAGE CIRCUIT IS N.E.C. CLASS 2 WITH A CLASS 2 FUSED DISCONNECT.
6. CONNECT FIELD WIRING IN GROUNDED RAIN TIGHT CONDUIT TO 60 HZ.
7. ONLY ONE MRLC IS NEEDED ON THE 80,000 INPUT UNIT.
8. MOTOR FACTORY WIRED FOR CORRECT SPEED.
9. WIRES FROM PL.2 (6 & 9) GO TO THE MIXED AIR SENSOR ON THE OPTIONAL ECONOMIZER.
10. YZ IS USED ONLY FOR THE OPTIONAL ECONOMIZER.

COMPONENT CODE

AUX. LIMIT CONTROL
COMPRESSOR CONTACTOR
CONTROL TRANSFORMER
DISCONNECT SWITCH
FREEZE STAT
GROUND LUG
GROUND WIRE
HIGH PRESSURE CONTROL
INDUCED DRAFT MOTOR
INTERGRATED FURNACE CONTROL
LOW AMBIENT COOLING CONTROL
LIMIT CONTROL
LOW PRESSURE CONTROL
MANUAL RESET LIMIT CONTROL

NPC NEGATIVE PRESSURE CONTROL
OPM OUTDOOR FAN MOTOR
PL PLUG
RC RUN CAPACITOR
SE SPARK ELECTRODE
TOC TIME DELAY CONTROL
WN WIRE NUT

DETAIL "A"

FACTORY SET DIFFERENT SPEEDS FOR COOLING & HEATING (MED. HEAT - HIGH COOL SHOWN)

MODEL	COOL	HEAT
3 TON W/120K	LOW	MED.
3.5 TON W/20K	MED.	LOW
4 TON W/80K	MED.	LOW
4 TON W/120K	MED.	HIGH
5 TON W/100K	MED.	LOW
5 TON W/135K	MED.	HIGH

DIAGNOSTICS - FANLED TO DETECT OR SUSTAIN FLAME.
2 FLASH - PRESSURE SWITCH OR INDICATOR PROBLEM DETECTED.
3 FLASH - HIGH LIMIT SWITCH PROTECTION DEVICE OPEN.
4 FLASH - FLAME SENSED AND GAS VALVE NOT ENERGIZED OR FLAME SENSED AND NO "W" SIGNAL.
5 FLASH - FLAME ROLL OUT SWITCH OPEN.

DETAIL "B"

DIFFERENT SPEEDS FOR COOLING & HEATING (MED. HEAT - HIGH COOL SHOWN)

MODEL	COOL	HEAT
3 TON W/120K	LOW	MED.
3.5 TON W/20K	MED.	LOW
4 TON W/80K	MED.	LOW
4 TON W/120K	MED.	HIGH
5 TON W/100K	MED.	LOW
5 TON W/135K	MED.	HIGH

HEAT
COOL
ACC
UNUSED
IFC

DETAIL "C"

FACTORY SET DIFFERENT SPEEDS FOR COOLING & HEATING (MED. HEAT - HIGH COOL SHOWN)

MODEL	COOL	HEAT
3 TON W/120K	LOW	MED.
3.5 TON W/20K	MED.	LOW
4 TON W/80K	MED.	LOW
4 TON W/120K	MED.	HIGH
5 TON W/100K	MED.	LOW
5 TON W/135K	MED.	HIGH

HEAT
COOL
ACC
UNUSED
IFC

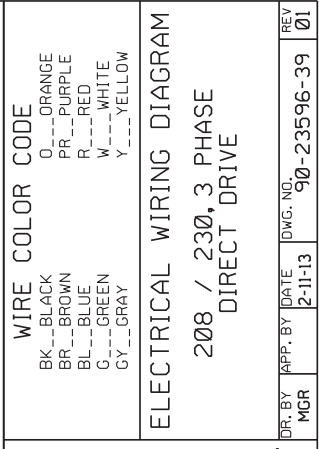
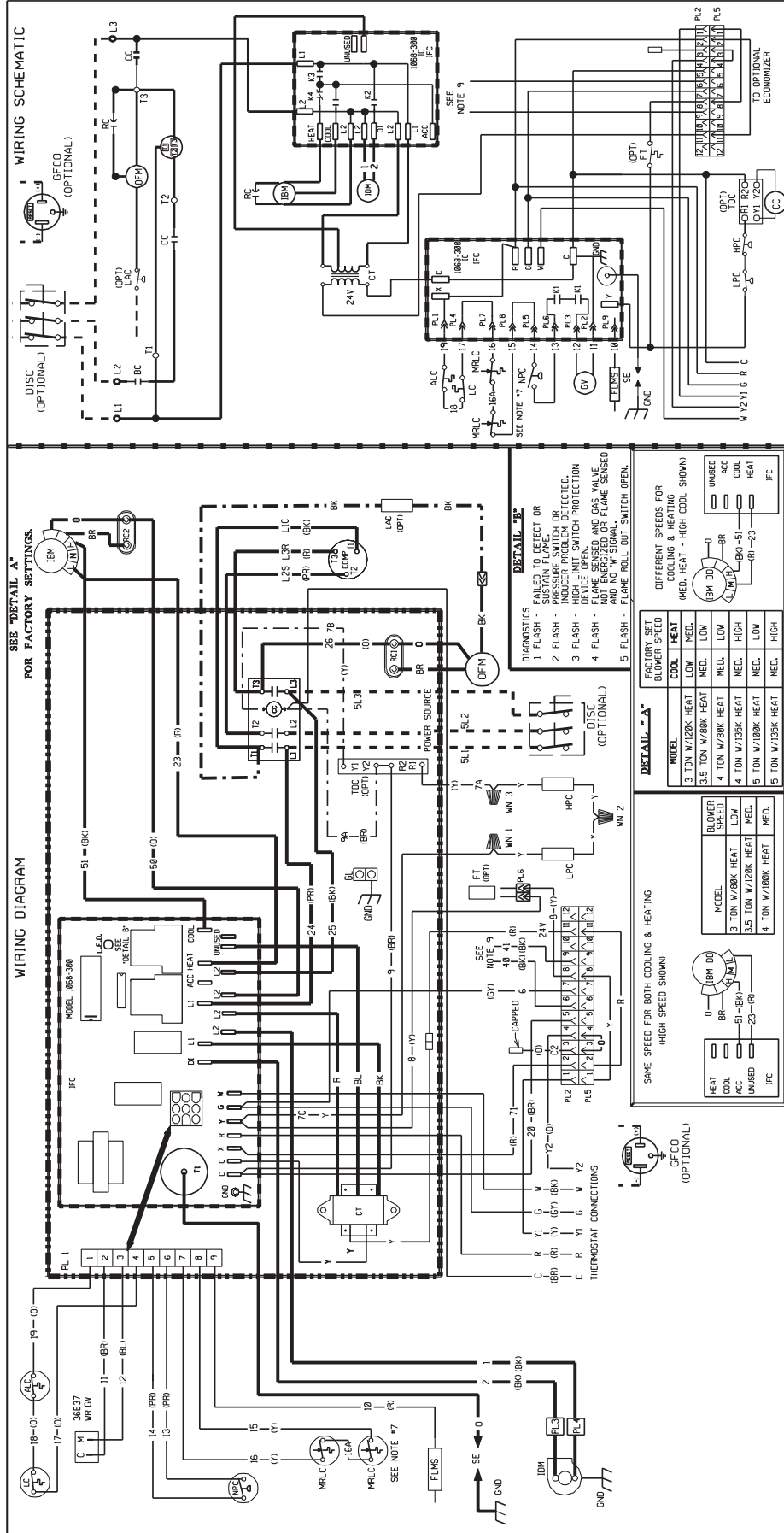
DETAIL "D"

FACTORY SET DIFFERENT SPEEDS FOR COOLING & HEATING (MED. HEAT - HIGH COOL SHOWN)

MODEL	COOL	HEAT
3 TON W/120K	LOW	MED.
3.5 TON W/20K	MED.	LOW
4 TON W/80K	MED.	LOW
4 TON W/120K	MED.	HIGH
5 TON W/100K	MED.	LOW
5 TON W/135K	MED.	HIGH

HEAT
COOL
ACC
UNUSED
IFC

FIGURE 28
WIRING DIAGRAM



WIRING INFORMATION

LINE VOLTAGE
-FACTORY STANDARD
-FACTORY OPTION
-FIELD INSTALLED
-FACTORY STANDARD
-FACTORY OPTION
-FACTORY INSTALLED
REPLACEMENT WIRE
-MUST BE THE SAME SIZE AND TYPE OF INSULATION AS ORIGINAL (105 C.MIN.)
WARNING
-CABINET MUST BE PERMANENTLY GROUNDED AND CONFORM TO I.E.C. N.E.C. C.E.C. NATIONAL WIRING REGULATIONS, AND LOCAL CODES AS APPLICABLE.

WIRE COLOR CODE

BK BLACK
BR BROWN
BL BLUE
G GREEN
GY GRAY
O ORANGE
PR PURPLE
R RED
W WHITE
Y YELLOW

COMPONENT CODE

ALC AUX. LIMIT CONTROL
CC COMPRESSOR CONTACTOR
CTC CONTROL TRANSFORMER
CTSC CONTROL SWITCH
FLMS FURNACE LIMIT SWITCH
FT FT
GFCO GROUND FAULT
GFCO GROUND FAULT
GND GROUND
GND GAS VALVE
GND HIGH PRESSURE CONTROL
HPC INDOOR BLOWER MOTOR DIRECT DRIVE
IDM INDUCED DRAFT MOTOR
IFC INTEGRATED FURNACE CONTROL
IFC LIGHT CONTROL
LFC LOW PRESSURE CONTROL

MRLC MRLC
MPC MPC
OFM OFM
PL PLUG
RC RUN CAPACITOR
SD SMOKE DETECTOR
SE SE
TOC TIME DELAY CONTROL
WN WIRE NUT

NOTES:

- CONNECTORS SUITABLE FOR USE WITH COPPER CONDUCTORS ONLY.
- COMPRESSOR MOTOR THERMALLY PROTECTED. ALL 3 PHASE MODELS ARE PROTECTED UNDER PRIMARY SINGLE PHASE CONDITIONS.
- CONTROL TRANSFORMER PRIMARY LEADS: RED-COMMON, BLUE-208V, BLACK-230V. TRANSFORMER FACTORY WIRING FOR 230 VOLTS. INTERCHANGE BLACK FOR BLUE LEADS FOR 208V OPERATION.
- CONTACTOR FACTORY WIRING: CONNECT FIELD WIRE TO FACTORY SUPPLIED CONTACTOR IN ELECTRICAL BOX.
- LOW VOLTAGE CIRCUIT IS N.E.C. CLASS 2 WITH A CLASS 2 TRANSFORMER, 24V/50/60 HZ SUPPLIED.
- CONNECT FIELD WIRING IN GROUNDED RAIN TIGHT CONDUIT TO 60 HZ FUSED DISCONNECT.
- ONLY ONE MRLC IS NEEDED ON THE 90,000 INPUT UNIT.
- MOTOR FACTORY WIRING FOR CORRECT SPEED.
- WIRES FROM PL2 16 & 91 GO TO THE MIXED AIR SENSOR ON THE OPTIONAL ECONOMIZER.
- 10.Y2 IS USED ONLY FOR THE OPTIONAL ECONOMIZER.

DIFFERENT SPEEDS FOR COOLING & HEATING

MODEL	COOL	HEAT
3 TON W/20K HEAT	LOW	MED.
3.5 TON W/20K HEAT	MED.	LOW
4 TON W/80K HEAT	MED.	LOW
4 TON W/120K HEAT	MED.	LOW
4 TON W/139K HEAT	MED.	HIGH
5 TON W/100K HEAT	MED.	LOW
5 TON W/139K HEAT	MED.	HIGH

DIAGNOSTICS

- FLASH - FAILED TO DETECT OR INDUCER SWITCH OR PRESSURE SWITCH DETECTED.
- FLASH - DEVICE OPEN SWITCH PROTECTION
- FLASH - FLAME SENSED AND GAS VALVE NOT ENERGIZED OR FLAME SENSED NOT ENERGIZED OR FLAME SENSED FLAME ROLL OUT SWITCH OPEN.

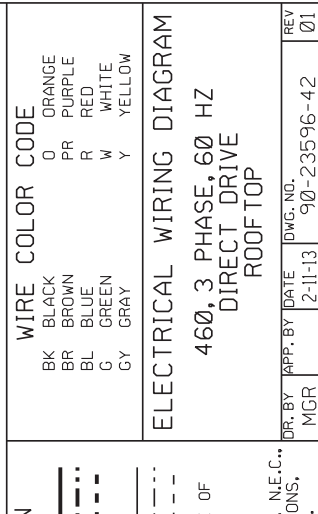
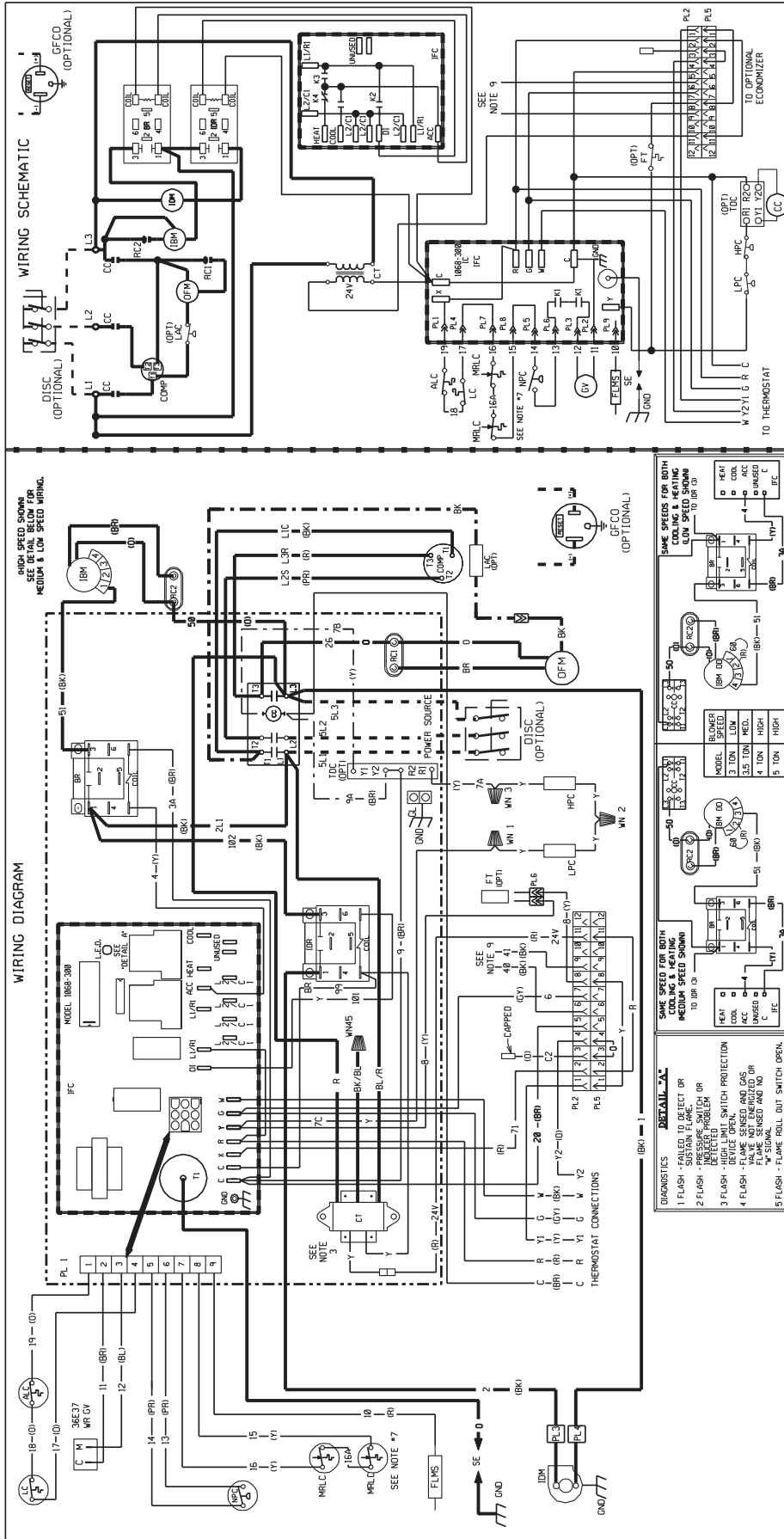
FACTORY SET BLOWER SPEED

MODEL	COOL	HEAT
3 TON W/20K HEAT	LOW	MED.
3.5 TON W/20K HEAT	MED.	LOW
4 TON W/80K HEAT	MED.	LOW
4 TON W/120K HEAT	MED.	LOW
4 TON W/139K HEAT	MED.	HIGH
5 TON W/100K HEAT	MED.	LOW
5 TON W/139K HEAT	MED.	HIGH

DR. BY: MGR
APP. BY: DATE: 2-11-13
DWG. NO.: 90-23596-39
REV: 01

ELECTRICAL WIRING DIAGRAM
208 / 230, 3 PHASE
DIRECT DRIVE

FIGURE 29
WIRING DIAGRAM



WIRE COLOR CODE

BK	BLACK
BR	BROWN
BL	BLUE
G	GREEN
GY	GRAY
O	ORANGE
PR	PURPLE
R	RED
W	WHITE
Y	YELLOW

ELECTRICAL WIRING DIAGRAM
460, 3 PHASE, 60 HZ
DIRECT DRIVE
ROOFTOP

WIRING INFORMATION

LINE VOLTAGE STANDARD
-FACTORY OPTION
-FIELD INSTALLED
LOW VOLTAGE
-FACTORY OPTION
-FIELD INSTALLED
REPLACEMENT WIRE

MUST BE THE SAME SIZE AND TYPE OF INSULATION AS ORIGINAL (105 C.MIN.)
WARNING
-CABINET MUST BE PERMANENTLY GROUNDED AND CONFORM TO I.E.C., N.E.C., C.E.C., NATIONAL WIRING REGULATIONS, AND LOCAL CODES AS APPLICABLE.

NOTES:

- CONNECTORS SUITABLE FOR USE WITH COPPER CONDUCTORS ONLY.
- COMPRESSOR MOTOR THERMALLY PROTECTED. ALL 3 PHASE MODELS ARE PROTECTED UNDER PRIMARY SINGLE PHASE CONDITIONS.
- POWER TRANSFORMER PRIMARY LEADS BLUE-COMMON BK/RED-480V, 60 HZ, 7.38KV, 50 HZ-RED-375V, 60 HZ, 7.41KV, 50 HZ.
- CONTRACTOR FACTORY WIRE CONNECTION BOX. SUPPLIED USE CRITICAL AS ELECTRICAL BOX.
- TRANSFORMER 24V/60/42 SUPPLIES 2 WITH A CLASS 2 FUSED DISCONNECT WIRING IN GROUNDED RAIN TIGHT CONDUIT TO 60 HZ WIRES FROM PL2 16 & 9 TO THE MIXED AIR SENSOR ON THE OPTIONAL ECONOMIZER.
- Y2 IS USED ONLY FOR THE OPTIONAL ECONOMIZER.

COMPONENT CODE

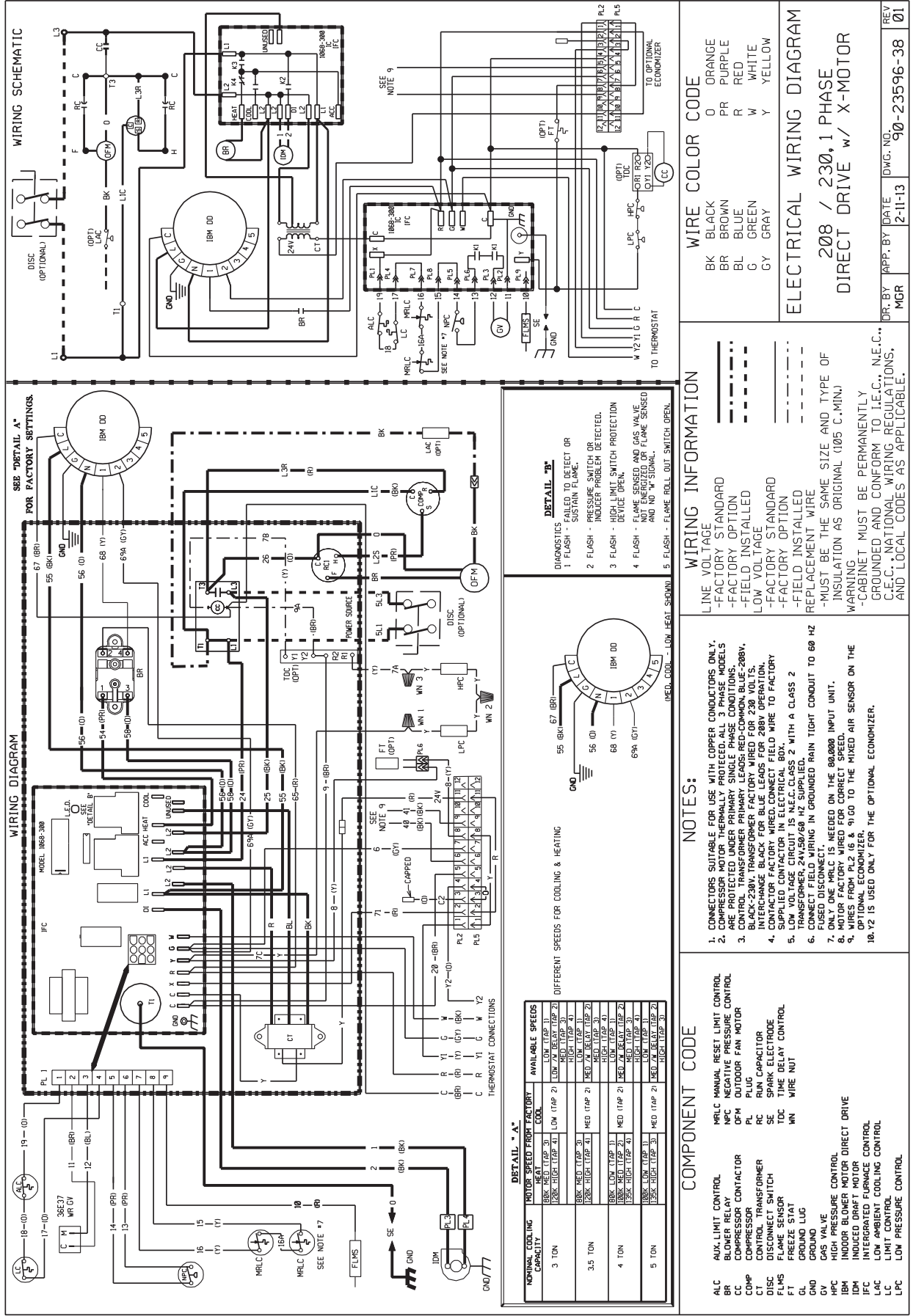
ALC	AUX LIMIT CONTROL
BC	BLOWER CONTACTOR
CC	COMPRESSOR CONTACTOR
COMP	CONTROL TRANSFORMER
CT	DISCONNECT SWITCH
FLMS	FLAME SENSOR
FT	FREEZE STAT
GL	GROUND LUG
GV	GAS VALVE
HPC	HIGH PRESSURE CONTROL
IBM	INDOOR BLOWER MOTOR
IDM	INDUCED DRAFT MOTOR
IDR	INDUCED DRAFT RELAY
IFC	INTERGRADED FURNACE CONTROL
LAC	LOW AMBIENT COOLING CONTROL
LPC	LIMIT CONTROL
MRLC	MANUAL RESET LIMIT CONTROL
NPC	NEGATIVE PRESSURE CONTROL
ODFM	OUTDOOR FAN MOTOR
PL	PLUG
PT	POWER TRANSFORMER
RC	RUN CAPACITOR
SD	SHOCK DETECTOR
SE	SPARK ELECTRODE
TD	TIME DELAY CONTROL
WN	WIRE NUT

DIAGNOSTICS

- FLASH - FAILED TO DELECT OR
- FLASH - PRESSURE SWITCH OR INDUCTIVE PROBLEM
- FLASH - HIGH LIMIT SWITCH PROTECTION
- FLASH - VALVE NOT ENERGIZED OR "S" SIGNAL
- FLASH - FLAME ROLL OUT SWITCH OPEN.

DR. BY APP. BY DATE DWG. NO. REV
MGR 2-11-13 90-23596-42 01

**FIGURE 30
WIRING DIAGRAM**



NOMINAL COOLING CAPACITY	MOTOR SPEED FROM FACTORY			AVAILABLE SPEEDS		
	HEAT	COOL	HEAT	HEAT	COOL	HEAT
3 TON	20K HIGH (TAP 3)	LOW (TAP 2)	LOW (TAP 1)	LOW (TAP 1)	LOW (TAP 2)	LOW (TAP 3)
	30K HIGH (TAP 3)	LOW (TAP 2)	LOW (TAP 1)	LOW (TAP 1)	LOW (TAP 2)	LOW (TAP 3)
	40K HIGH (TAP 3)	LOW (TAP 2)	LOW (TAP 1)	LOW (TAP 1)	LOW (TAP 2)	LOW (TAP 3)
3.5 TON	20K HIGH (TAP 3)	MED (TAP 2)	LOW (TAP 1)	LOW (TAP 1)	LOW (TAP 2)	LOW (TAP 3)
	30K HIGH (TAP 3)	MED (TAP 2)	LOW (TAP 1)	LOW (TAP 1)	LOW (TAP 2)	LOW (TAP 3)
	40K HIGH (TAP 3)	MED (TAP 2)	LOW (TAP 1)	LOW (TAP 1)	LOW (TAP 2)	LOW (TAP 3)
4 TON	20K HIGH (TAP 3)	MED (TAP 2)	LOW (TAP 1)	LOW (TAP 1)	LOW (TAP 2)	LOW (TAP 3)
	30K HIGH (TAP 3)	MED (TAP 2)	LOW (TAP 1)	LOW (TAP 1)	LOW (TAP 2)	LOW (TAP 3)
	40K HIGH (TAP 3)	MED (TAP 2)	LOW (TAP 1)	LOW (TAP 1)	LOW (TAP 2)	LOW (TAP 3)
5 TON	20K HIGH (TAP 3)	MED (TAP 2)	LOW (TAP 1)	LOW (TAP 1)	LOW (TAP 2)	LOW (TAP 3)
	30K HIGH (TAP 3)	MED (TAP 2)	LOW (TAP 1)	LOW (TAP 1)	LOW (TAP 2)	LOW (TAP 3)
	40K HIGH (TAP 3)	MED (TAP 2)	LOW (TAP 1)	LOW (TAP 1)	LOW (TAP 2)	LOW (TAP 3)

COMPONENT CODE	DESCRIPTION
ALC	AUX LIMIT CONTROL
BR	BLOWER RELAY
CC	COMPRESSOR CONTACTOR
CCMPC	COMPRESSOR MOTOR CONTROL
CT	CONTROL TRANSFORMER
DISC	DISCONNECT SWITCH
FLMS	FLAME SENSOR
FT	FREEZE STAT
GL	GROUND LUG
GND	GROUND
HPC	HIGH PRESSURE CONTROL
IBM	INDUOR BLOWER MOTOR DIRECT DRIVE
IBM	INDUCED DRAFT MOTOR
IFC	INTEGRATED FURNACE CONTROL
LAC	LOW AMBIENT COOLING CONTROL
LC	LIMIT CONTROL
LPC	LOW PRESSURE CONTROL
MRLC	MRLC MANUAL RESET LIMIT CONTROL
NPC	NPC NEGATIVE PRESSURE CONTROL
OPM	OUTDOOR FAN MOTOR
PL	PLUG
RC	RUN CAPACITOR
SE	SPARK ELECTRODE
TDC	TIME DELAY CONTROL
WN	WIRE NUT
Y	Y WIRE

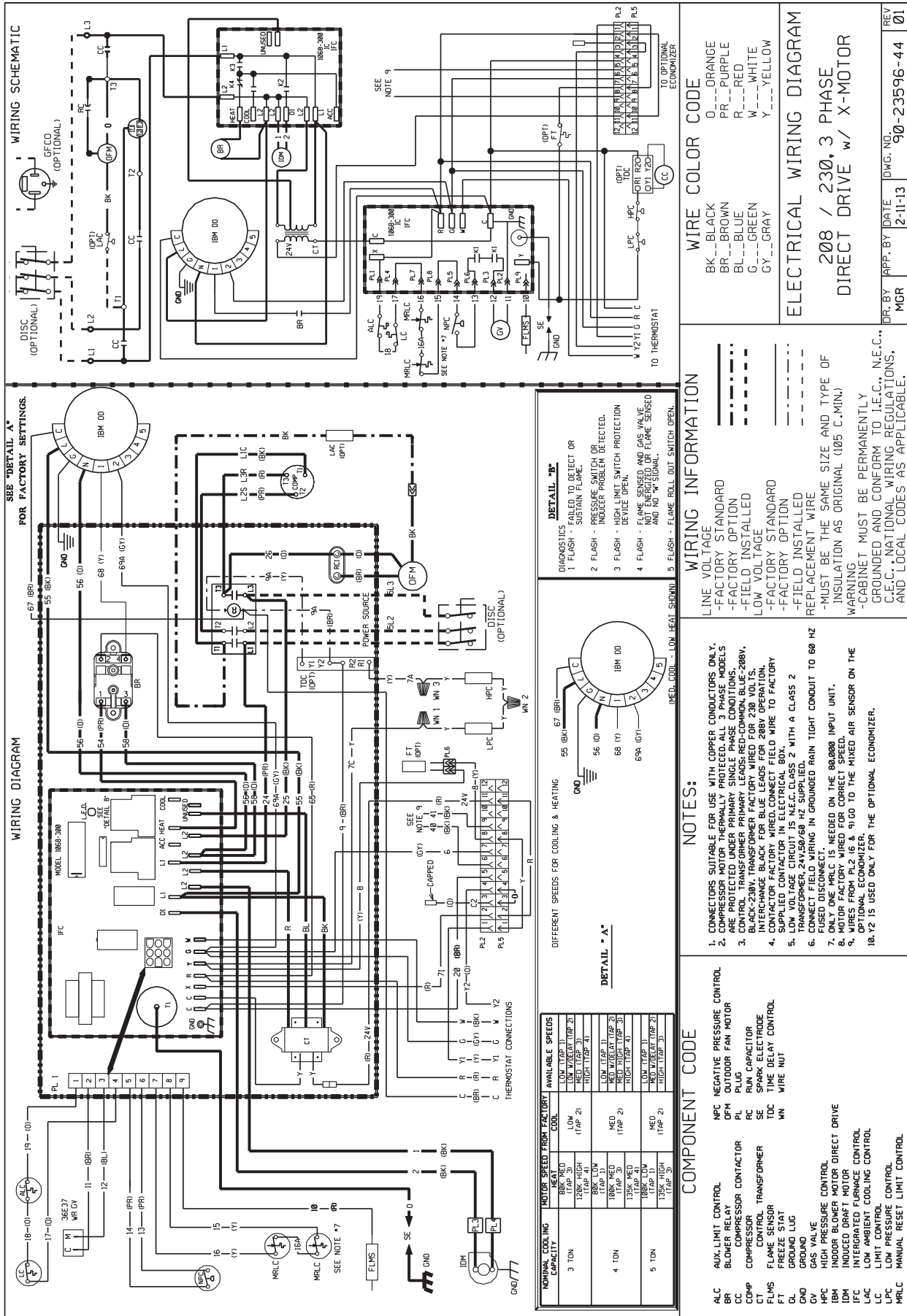
- NOTES:**
- CONNECTORS SUITABLE FOR USE WITH COPPER CONDUCTORS ONLY.
 - COMPRESSOR MOTOR THERMALLY PROTECTED ALL 3 PHASE MODELS ARE PROTECTED UNDER PRIMARY SINGLE PHASE CONDITIONS.
 - BLACK-208V TRANSFORMER FACTORY WIRE FOR 208 VOLTS. INTERCHANGE BLACK FOR BLUE LEADS FOR 208V OPERATION.
 - SUPPLIED CONTACTOR WIRE, CONNECT FIELD WIRE TO FACTORY BLACK CONTACTOR IS N.E.C. CLASS 2 WITH A CLASS 2 WIRE.
 - WIRE WOUND 24V/50/60 HZ SUPPLIED. FUSED DISCONNECT.
 - INDUOR BLOWER MOTOR IN GROUND RAIN TIGHT CONDUIT TO 60 HZ.
 - ONLY ONE MRLC IS NEEDED ON THE 00/000 INPUT UNIT.
 - MOTOR FACTORY WIRE FOR CORRECT SPEED.
 - WIRE FOR PL 2 (G & Y) GO TO THE MIXED AIR SENSOR ON THE OPTIONAL ECONOMIZER.
 18. 12 IS USED ONLY FOR THE OPTIONAL ECONOMIZER.

- WIRING INFORMATION**
- LINE VOLTAGE - FACTORY STANDARD
 -FACTORY OPTION
 -FIELD INSTALLED
 LOW VOLTAGE -FACTORY STANDARD
 -FACTORY OPTION
 -FIELD INSTALLED
 REPLACEMENT WIRE -MUST BE THE SAME SIZE AND TYPE OF INSULATION AS ORIGINAL (105 C.M.I.)
 -CABINET MUST BE PERMANENTLY GROUNDED AND CONFORM TO I.E.C., N.E.C., C.E.C., NATIONAL WIRING REGULATIONS, AND LOCAL CODES AS APPLICABLE.

- DIAGNOSTICS**
- FLASH - SAFETY TO DETECT OR FLASH - SUSTAIN FLAME.
 - FLASH - PRESSURE SWITCH OR INDUOR PROBLEM DETECTED.
 - FLASH - HIGH LIMIT SWITCH PROTECTION DEVICE OPEN.
 - FLASH - FLAME SENSED AND GAS VALVE NOT ENERGIZED OR FLAME SENSED AND NO "W" SIGNAL.
 - FLASH - FLAME ROLL OUT SWITCH OPEN.

DR. BY	APP. BY	DATE	DWG. NO.	REV
MGR		2-11-13	90-23596-38	01

FIGURE 31
WIRING DIAGRAM



WIRE COLOR CODE

BK	BLACK
BR	BROWN
BL	BLUE
G	GREEN
W	WHITE
Y	YELLOW
OR	ORANGE
PR	PURPLE
R	RED

ELECTRICAL WIRING DIAGRAM
208 / 230, 3 PHASE
DIRECT DRIVE w/ X-MOTOR

WIRING INFORMATION

LINE VOLTAGE
-FACTORY STANDARD
-FACTORY OPTION
-FIELD INSTALLED
-LOW VOLTAGE
-FACTORY STANDARD
-FACTORY OPTION
-FIELD INSTALLED
REPLACEMENT WIRE
-MUST BE THE SAME SIZE AND TYPE OF INSULATION AS ORIGINAL (105 C. MIN.)
-WARNING
-CABINET MUST BE PERMANENTLY GROUNDED AND CONFORM TO I.E.C., N.E.C., C.E.C. NATIONAL WIRING REGULATIONS, AND LOCAL CODES AS APPLICABLE.

NOTES:

- CONNECTORS SUITABLE FOR USE WITH COPPER CONDUCTORS ONLY.
- COMPRESSOR MOTOR THERMALLY PROTECTED. ALL 3 PHASE MODELS ARE PROTECTED UNDER PRIMARY SINGLE PHASE CONDITIONS.
- CONTROL TRANSFORMER PRIMARY LEADS: RED-COMMON, BLUE-208V, INTERCHANGE BLACK FOR BLUE LEADS FOR 208V OPERATION.
- CONTRACTOR FACTORY WIRING: CONNECT FIELD WIRE TO FACTORY SUPPLIED CONTACTOR IN ELECTRICAL BOX.
- LOW VOLTAGE CIRCUIT IS N.E.C. CLASS 2 WITH A CLASS 2 TRANSFORMER, 24V/50/60 HZ SUPPLIED.
- CONNECT FIELD WIRING IN GROUNDED RAIN TIGHT CONDUIT TO 60 HZ MOTOR FACTORY WIRING FOR CORRECT SPEED.
- ONLY ONE MRLC IS NEEDED ON THE 80,000 INPUT UNIT.
- MOTOR FACTORY WIRING FOR CORRECT SPEED.
- OPTIONAL ECONOMIZER.
10. Y2 IS USED ONLY FOR THE OPTIONAL ECONOMIZER.

COMPONENT CODE

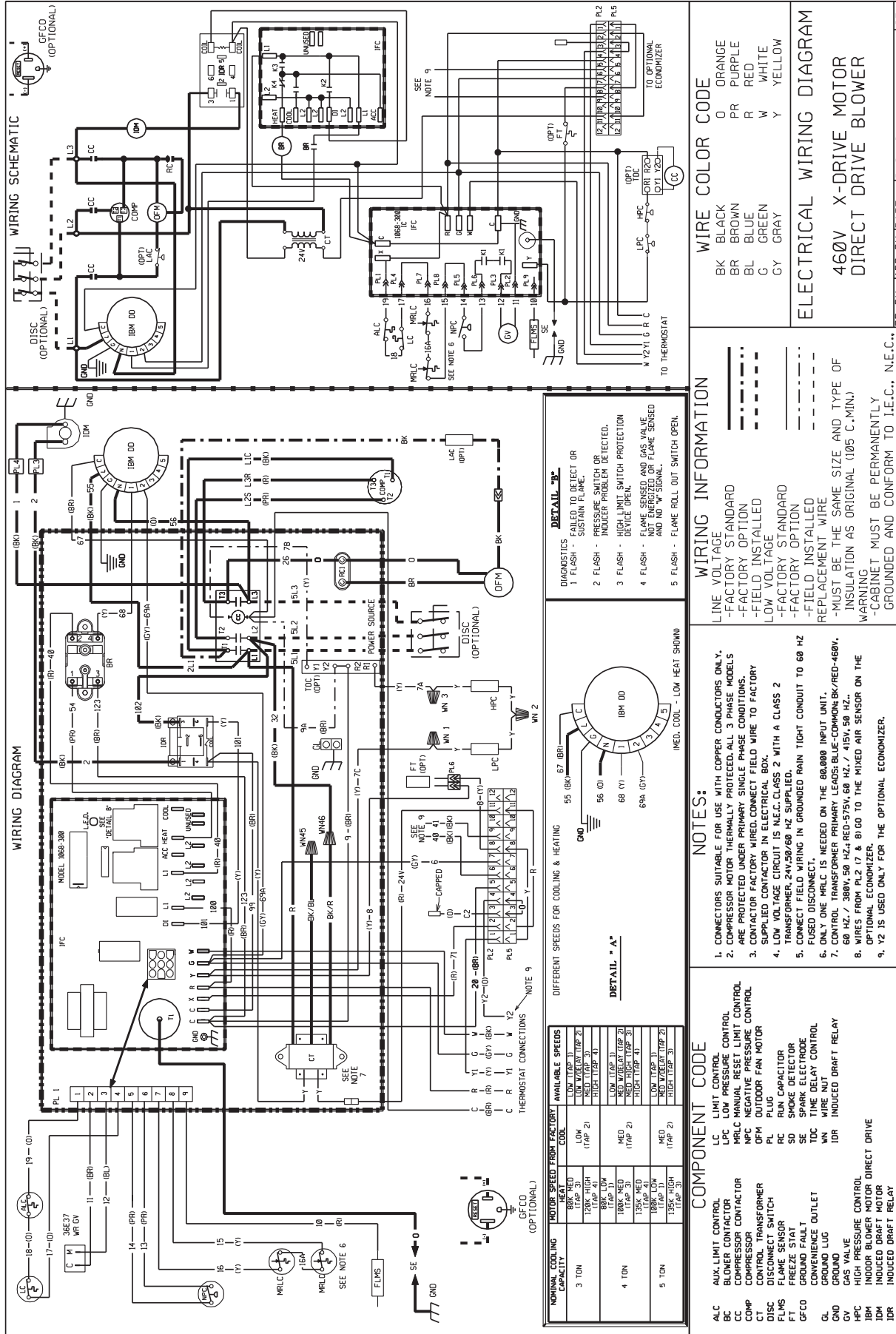
ALC	AUX LIMIT CONTROL
BR	BLOWER BELLA
CC	COMPRESSOR CONTACTOR
CCMP	COMPRESSOR
CT	CONTROL TRANSFORMER
FLMS	FLAME SENSOR
FS	FREEZE STAT
GL	GROUND LUG
GND	GROUND
GV	GAS VALVE
HPC	HIGH PRESSURE CONTROL
IBK	INDOOR BLOWER MOTOR DIRECT DRIVE
IPM	INDUCED DRAFF MOTOR CONTROL
LAC	LOW AMBIENT COOLING CONTROL
LC	LIMIT CONTROL
LPC	LOW PRESSURE CONTROL
MRLC	MANUAL RESET LIMIT CONTROL
MFC	NEGATIVE PRESSURE CONTROL
OPM	OUTDOOR FAN MOTOR
PI	PLUS
RC	RUN CAPACITOR
SC	SPARK ELECTRODE
SDC	TIME DELAY CONTROL
WN	WIRE NUT

AVAILABLE SPEEDS

NOMINAL COOLING CAPACITY	MOTOR SPEED FROM FACTORY	AVAILABLE SPEEDS
3 TON	80% MED (TAP 3)	LOW (TAP 1)
	120% LOH (TAP 2)	LOW M/RELAY (TAP 2)
	120% HIG (TAP 3)	HIGH (TAP 3)
4 TON	80% LOW (TAP 1)	LOW (TAP 1)
	100% MED (TAP 2)	MED (TAP 2)
	135% HIG (TAP 3)	HIGH (TAP 3)
5 TON	80% LOH (TAP 1)	LOW (TAP 1)
	100% MED (TAP 2)	MED (TAP 2)
	135% HIG (TAP 3)	HIGH (TAP 3)

DR. BY: MGR
APP. BY: MGR
DATE: 2-11-13
DWG. NO.: 90-23596-44
REV: 01

FIGURE 32
WIRING DIAGRAM



WIRE COLOR CODE

BK	BLACK
BR	BROWN
BL	BLUE
G	GREEN
GY	GRAY
O	ORANGE
PR	PURPLE
R	RED
W	WHITE
Y	YELLOW

ELECTRICAL WIRING DIAGRAM
460V X-DRIVE MOTOR
DIRECT DRIVE BLOWER

DR. BY: MGR
APP. BY: MGR
DATE: 2-11-13
DWG. NO.: 90-23596-46
REV: 01

WIRING INFORMATION

LINE VOLTAGE
-FACTORY STANDARD
-FIELD OPTION
-FIELD INSTALLED
LOW VOLTAGE
-FACTORY STANDARD
-FACTORY OPTION
-FIELD INSTALLED
REPLACE WIRE
-MUST BE THE SAME SIZE AND TYPE OF INSULATION AS ORIGINAL (105 C.M.I.)

WARNING
-CABINET MUST BE PERMANENTLY GROUNDED AND CONFORM TO I.E.C., N.E.C., C.I.E.C., NATIONAL WIRING REGULATIONS, AND LOCAL CODES AS APPLICABLE.

NOTES:

- CONNECTORS SUITABLE FOR USE WITH COPPER CONDUCTORS ONLY.
- COMPRESSOR MOTOR THERMALLY PROTECTED. ALL 3 PHASE MODELS ARE PROTECTED UNDER PRIMARY SINGLE PHASE CONDITIONS.
- CONTRACTOR FACTORY WIRED. CONNECT FIELD WIRE TO FACTORY SUPPLIED CONTACTOR IN ELECTRICAL BOX.
- LOW VOLTAGE CIRCUIT IS N.E.C. CLASS 2 WITH A CLASS 2 FUSED DISCONNECT.
- CONNECT FIELD WIRING IN GROUNDING RAIN TIGHT CONDUIT TO 60 HZ TRANSFORMER.
- ONLY ONE MRLC IS NEEDED ON THE 00.000 INPUT UNIT.
- CONTROL TRANSFORMER PRIMARY LEADS: BLUE-COMMON, BK/RED-460V, 60 HZ / 380V, 50 HZ; RED-575V, 60 HZ / 415V, 50 HZ.
- WIRES FROM PL.2 (7 & 8) TO THE MIXED AIR SENSOR ON THE OPTIONAL ECONOMIZER.
- Y, Z IS USED ONLY FOR THE OPTIONAL ECONOMIZER.

COMPONENT CODE

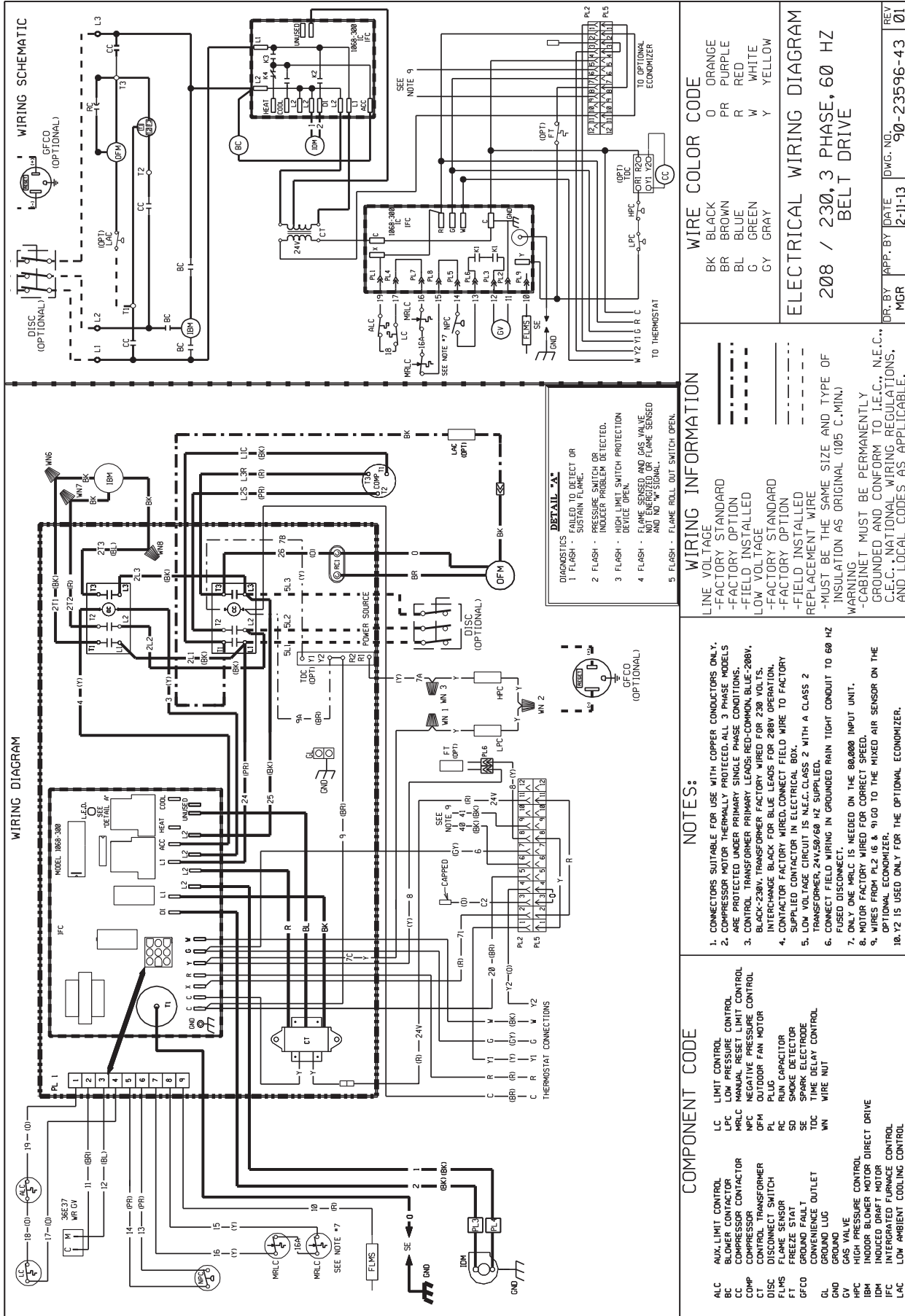
ALC	AUX. LIMIT CONTROL
BC	BLOWER CONTACTOR
CC	COMPRESSOR CONTACTOR
CCMPC	COMPRESSOR MANUAL RESET LIMIT CONTROL
CCNT	COMPRESSOR NEGATIVE PRESSURE CONTROL
DISC	DISCONNECT SWITCH
FLMS	FLAME SENSOR
FLMS2	FLAME SENSE
GFCO	GAS VALVE
GL	GROUND LUG
GND	GROUND
GV	GAS VALVE
HPC	HIGH PRESSURE CONTROL
IBM	INDOOR BLOWER MOTOR
IDM	INDUCED DRAFT MOTOR
IDR	INDUCED DRAFT RELAY
IFC	INTEGRATED FURNACE CONTROL
LAC	LOW AMBIENT COOLING CONTROL

DIFFERENT SPEEDS FOR COOLING & HEATING

NOMINAL COOLING CAPACITY	MOTOR SPEED FROM FACTORY	AVAILABLE SPEEDS
3 TON	HEAT	LOW (TAP 2)
	COOL	LOW (TAP 2)
	HEAT	HIGH (TAP 3)
4 TON	HEAT	LOW (TAP 4)
	COOL	LOW (TAP 1)
	HEAT	HIGH (TAP 3)
5 TON	HEAT	LOW (TAP 4)
	COOL	LOW (TAP 2)
	HEAT	HIGH (TAP 3)

DETAIL "A"
DETAIL "B"

FIGURE 33
WIRING DIAGRAM



WIRING DIAGRAM

WIRING SCHEMATIC

ELECTRICAL WIRING DIAGRAM

DISC (OPTIONAL)
GFCO (OPTIONAL)

DIAGNOSTICS
1 FLASH - FAILED TO RESET OR SUSTAIN FLAME
2 FLASH - PRESSURE SWITCH OR INDOOR PROBLEM DETECTED.
3 FLASH - HIGH LIMIT SWITCH PROTECTION DEVICE OPEN
4 FLASH - FLAME OPENED AND GAS VALVE NOT ENERGIZED OR FLAME SENSED AND NO "W" SIGNAL.
5 FLASH - FLAME ROLL OUT SWITCH OPEN.

WIRE COLOR CODE
BK BLACK
BR BROWN
BL BLUE
G GREEN
GY GRAY
O ORANGE
PR PURPLE
R RED
W WHITE
Y YELLOW

LINE VOLTAGE
-FACTORY STANDARD
-FACTORY OPTION
-FIELD INSTALLED
LOW VOLTAGE
-FACTORY STANDARD
-FACTORY OPTION
-FIELD INSTALLED
REPLACEMENT WIRE
-MUST BE THE SAME SIZE AND TYPE OF INSULATION AS ORIGINAL (105 C.MIN.)
-CABINET MUST BE PERMANENTLY GROUNDED AND CONFORM TO I.E.C., N.E.C., C.E.C., NATIONAL WIRING REGULATIONS, AND LOCAL CODES AS APPLICABLE.

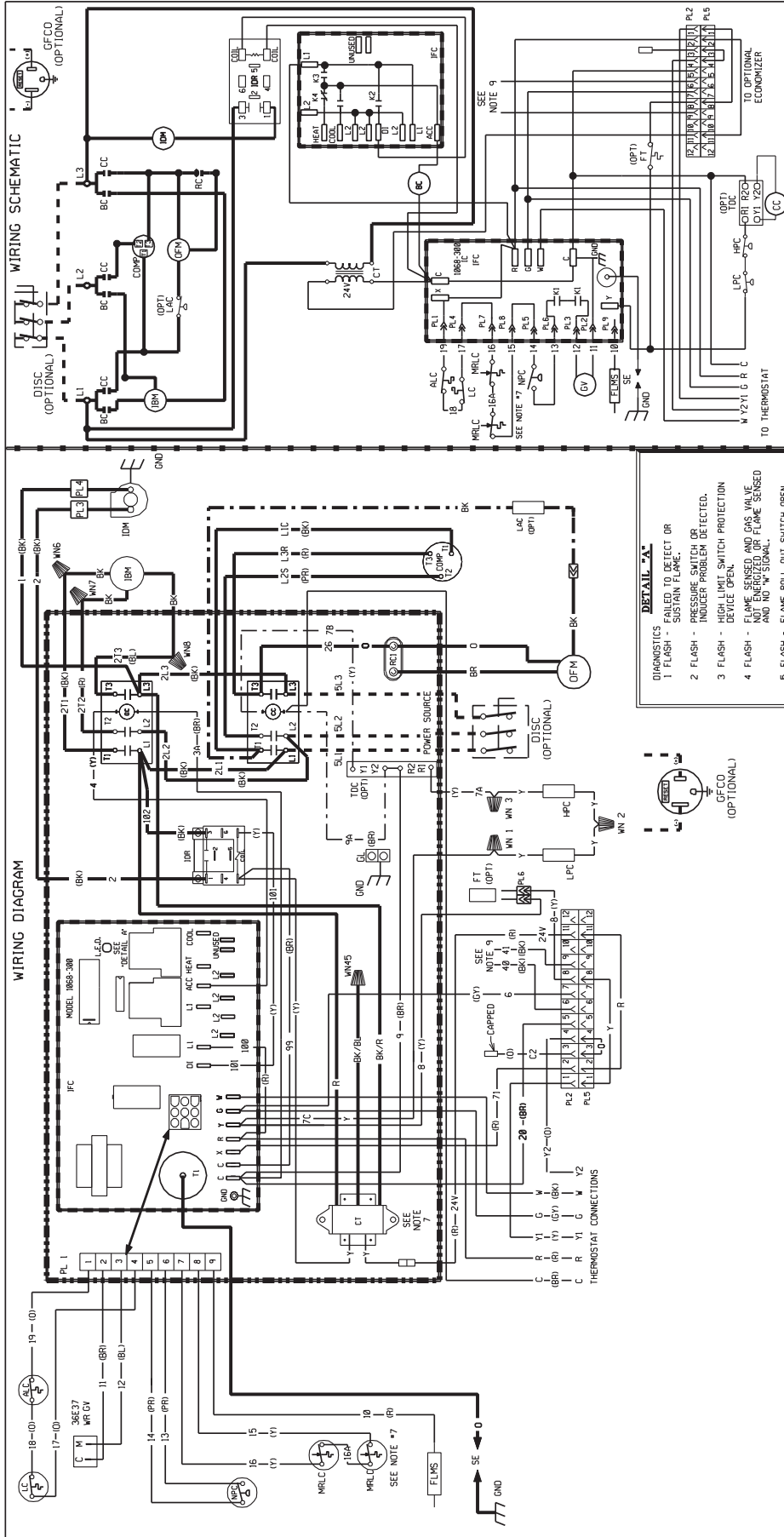
208 / 230, 3 PHASE, 60 HZ
BELT DRIVE

COMPONENT CODE
ALC AUX. LIMIT CONTROL
BC BLOWER CONTACTOR
CC COMPRESSOR CONTACTOR
COMP COMPRESSOR
CT CONTROL TRANSFORMER
DISC DISCONNECT SWITCH
FLM FLAME SENSOR
FLS FLAME SENSE ELECTRODE
GFCO GROUND FAULT CIRCUIT INTERRUPTER
GL GROUND LUG
GND GROUND
GV GAS VALVE
HPC HIGH PRESSURE CONTROL
IBM INDOOR BLOWER MOTOR
IDM INDOOR DRAFT MOTOR
IFC INTERGRADED FURNACE CONTROL
LAC LOW AMBIENT COOLING CONTROL

CONNECTORS SUITABLE FOR USE WITH COPPER CONDUCTORS ONLY.
2. COMPRESSOR MOTOR THERMALLY PROTECTED. ALL 3 PHASE MODELS ARE PROTECTED UNDER PRIMARY SINGLE PHASE CONDITIONS.
3. CONTROL TRANSFORMER PRIMARY LEADS: RED-COMMON, BLUE-208V, BLACK-230V. TRANSFORMER FACTORY WIRED FOR 230 VOLTS.
4. INTERCHANGE BLACK FOR BLUE LEADS FOR 208V OPERATION.
5. SUPPLIED FACTORY WIRED CONNECT FIELD WIRE TO FACTORY WIRE.
6. LOW VOLTAGE CIRCUIT IS N.E.C. CLASS 2 WITH A CLASS 2 TRANSFORMER, 24V/50/60 HZ SUPPLIED.
7. FUSED DISCONNECT.
8. ONLY ONE MRLC IS NEEDED ON THE 90,000 INPUT UNIT.
9. MOTOR FACTORY WIRED FOR CORRECT SPEED.
10. WIRES FROM PLC (6 & 9) TO THE MIXED AIR SENSOR ON THE OPTIONAL ECONOMIZER.
11. 12 IS USED ONLY FOR THE OPTIONAL ECONOMIZER.

DR. BY APP. BY DATE DWG. NO. REV
MGR 2-11-13 90-23596-43 01

FIGURE 34
WIRING DIAGRAM



WIRE COLOR CODE

BK	BLACK
BR	BROWN
BL	BLUE
G	GREEN
GY	GRAY
O	ORANGE
PR	PURPLE
R	RED
W	WHITE
Y	YELLOW

ELECTRICAL WIRING DIAGRAM

460 3 PHASE, 60 HZ BELT DRIVE

WIRING INFORMATION

LINE VOLTAGE
 -FACTORY STANDARD
 -FACTORY OPTION
 -FIELD INSTALLED
 -LOW VOLTAGE
 -FACTORY STANDARD
 -FACTORY OPTION
 -FIELD INSTALLED
 -REPLACEMENT WIRE

MUST BE THE SAME SIZE AND TYPE OF INSULATION AS ORIGINAL (105 C.M.I.)

NOTES:

- CONNECTORS SUITABLE FOR USE WITH COPPER CONDUCTORS ONLY.
- COMPRESSOR MOTOR THERMALLY PROTECTED. ALL 3 PHASE MODELS ARE PROTECTED UNDER PRIMARY SINGLE PHASE CONDITIONS.
- CONTRACTOR FACTORY WIRED. CONNECT FIELD WIRE TO FACTORY SUPPLIED CONTACTOR IN ELECTRICAL BOX.
- LOW VOLTAGE CIRCUIT IS N.E.C. CLASS 2 WITH A CLASS 2 TRANSFORMER, 24V, 50/60 HZ SUPPLIED.
- CONNECT FIELD WIRING IN GROUNDED RAIN TIGHT CONDUIT TO 60 HZ FUSED DISCONNECT.
- ONLY ONE MRLC IS NEEDED ON THE 80,000 INPUT UNIT.
- POWER TRANSFORMER PRIMARY LEADS: BLUE-COMMON BK/RED-460V, 60 HZ / 380V, 50 HZ; RED-575V, 60 HZ / 415V, 50 HZ.
- WIRES FROM PL.2 (6 & 9) GO TO THE MIXED AIR SENSOR ON THE OPTIONAL ECONOMIZER.
- Y2 IS USED ONLY FOR THE OPTIONAL ECONOMIZER.

WIRING SCHEMATIC

DISCONNECTS FAILED TO DETECT OR
 1 FLASH - SUSTAIN FLAME.
 2 FLASH - PRESSURE SWITCH OR INDUCER PROBLEM DETECTED.
 3 FLASH - HIGH LIMIT SWITCH PROTECTION DEVICE OPEN.
 4 FLASH - FLAME SENSED AND GAS VALVE NOT ENERGIZED OR FLAME SENSED AND NO 'W' SIGNAL.
 5 FLASH - FLAME ROLL OUT SWITCH OPEN.

DETAIL-A

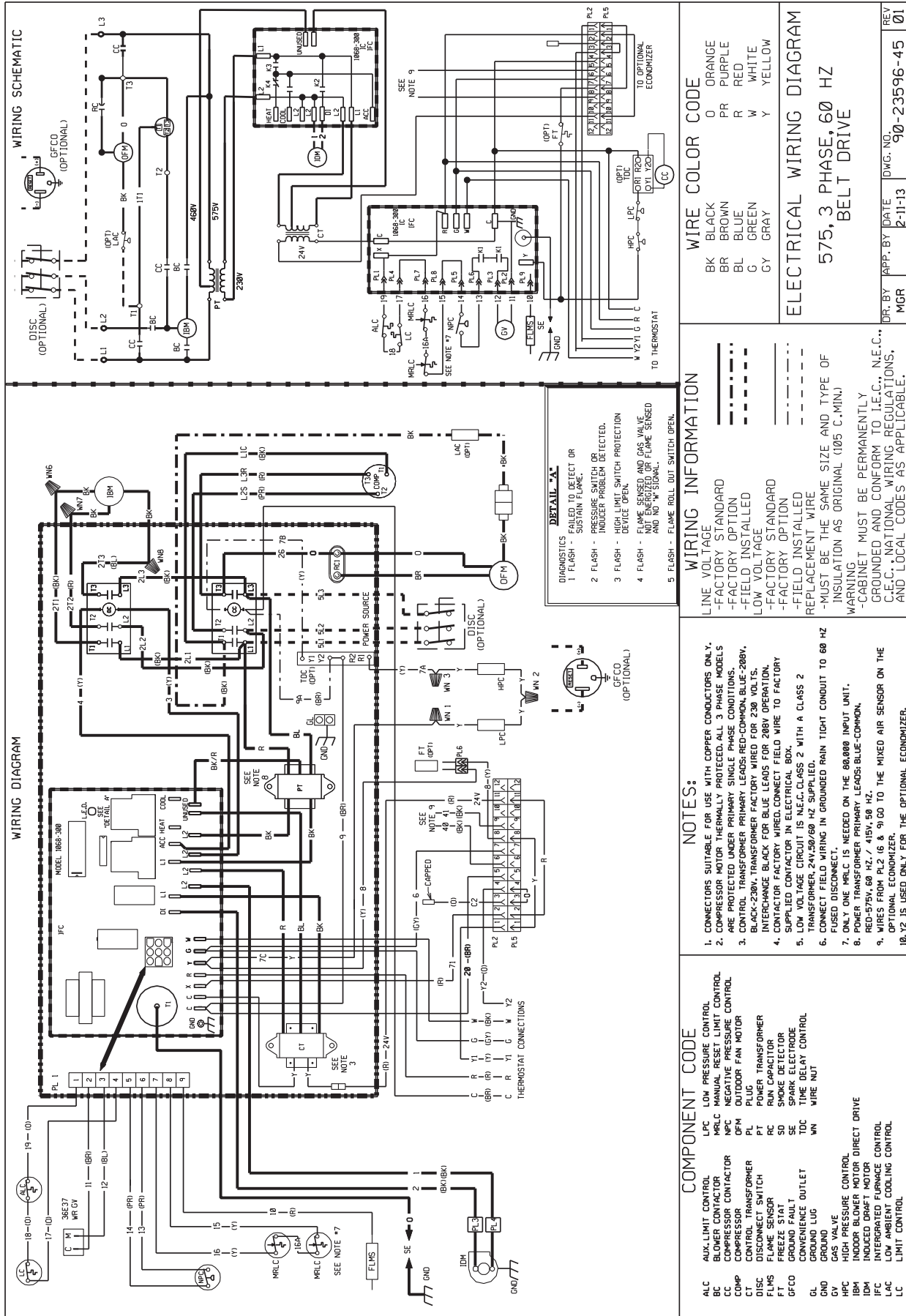
DISCONNECTS FAILED TO DETECT OR
 1 FLASH - SUSTAIN FLAME.
 2 FLASH - PRESSURE SWITCH OR INDUCER PROBLEM DETECTED.
 3 FLASH - HIGH LIMIT SWITCH PROTECTION DEVICE OPEN.
 4 FLASH - FLAME SENSED AND GAS VALVE NOT ENERGIZED OR FLAME SENSED AND NO 'W' SIGNAL.
 5 FLASH - FLAME ROLL OUT SWITCH OPEN.

COMPONENT CODE

ALC	AUX. LIMIT CONTROL
BLM	BLOWER MOTOR
CC	COMPRESSOR CONTACTOR
COMP	COMPRESSOR
CT	CONTROL TRANSFORMER
CT SW	CONTROL SWITCH
FLMS	FLAME SENSOR
FT	FREEZE STAT
GFCD	GROUND FAULT CONVENIENCE OUTLET
GRD	GROUND LUG
GN	GROUND
GV	GAS VALVE
HPC	HIGH PRESSURE CONTROL
IDM	INDOOR BLOWER MOTOR DIRECT DRIVE
IDR	INDUCED DRAFT MOTOR
IDR	INDUCED DRAFT RELAY
IFC	INDICATED FURNACE CONTROL
LPC	LOW AMBIENT COOLING CONTROL

DR. BY: MGR
 DATE: 2-11-13
 DWG. NO.: 90-23596-41
 REV: 01

FIGURE 35
WIRING DIAGRAM



COMPONENT CODE	DESCRIPTION
ALC	AUX LIMIT CONTROL
BC	BLOWER CONTACTOR
CC	COMPRESSOR CONTACTOR
COMP	COMPRESSOR
CT	CONTROL TRANSFORMER
DISC	DISCONNECT SWITCH
FLMS	FLAME SENSOR
FT	FREEZE STAT
GFCO	GROUND FAULT CONVENIENCE OUTLET
GL	GROUND LUG
GND	GROUND
HPC	HIGH PRESSURE CONTROL
IDM	INDUCED DRAFT MOTOR
IDM	INDUCED DRAFT MOTOR
IFC	INTEGRATED FURNACE CONTROL
LAC	LOW AMBIENT COOLING CONTROL
LC	LIMIT CONTROL
LPC	LOW PRESSURE CONTROL
MRLC	MANUAL-RESET LIMIT CONTROL
NPC	NEGATIVE PRESSURE CONTROL
OPM	OUTDOOR FAN MOTOR
PL	PLUC
PT	POWER TRANSFORMER
RC	RUN CAPACITOR
SD	SHOCK DETECTOR
SE	SPARK ELECTRODE
TDC	TIME DELAY CONTROL
WN	WIRE NUT
Y	Y
Z	Z

- NOTES:**
- CONNECTORS SUITABLE FOR USE WITH COPPER CONDUCTORS ONLY.
 - COMPRESSOR MOTOR THERMALLY PROTECTED. ALL 3 PHASE MODELS ARE PROTECTED UNDER PRIMARY SINGLE PHASE CONDITIONS.
 - CONTROL TRANSFORMER PRIMARY LEADS: RED-COMMON, BLUE-208V, BLACK-230V. TRANSFORMER FACTORY WIRED FOR 230 VOLT. INTERCHANGE BLACK FOR BLUE LEADS FOR 208V OPERATION.
 - CONNECTOR FACTORS WIRED. CONNECT FIELD WIRE TO FACTORY SUPPLIED GROUND CIRCUIT IN ELECTRICAL CLASS 2 WITH A CLASS 2 TRANSFORMER 240V/60/24 SUPPLIES 2 WITH A CLASS 2 FUSED DISCONNECT.
 - CONNECT FIELD WIRING IN GROUNDING RAIN TIGHT CONDUIT TO 60 HZ ONLY ONE MRLC IS NEEDED ON THE 90,000 INPUT UNIT.
 - POWER TRANSFORMER PRIMARY LEADS: BLUE-COMMON, RED-575V 60 HZ / 415V 50 HZ.
 - WIRES FROM PL2 (6 & 9) GO TO THE MIXED AIR SENSOR ON THE OPTIONAL ECONOMIZER.
 - 10, 12 IS USED ONLY FOR THE OPTIONAL ECONOMIZER.

- WIRING INFORMATION**
- LINE VOLTAGE
 -FACTORY STANDARD
 -FACTORY OPTION
 -FIELD INSTALLED
 LOW VOLTAGE
 -FACTORY STANDARD
 -FACTORY OPTION
 -FIELD INSTALLED
 REPLACEMENT WIRE
 -MUST BE THE SAME SIZE AND TYPE OF INSULATION AS ORIGINAL (105 C-MIN)
 WARNING
 -CABINET MUST BE PERMANENTLY GROUNDED AND CONFORM TO I.E.C., N.E.C., C.E.C., NATIONAL WIRING REGULATIONS, AND LOCAL CODES AS APPLICABLE.

WIRE COLOR CODE

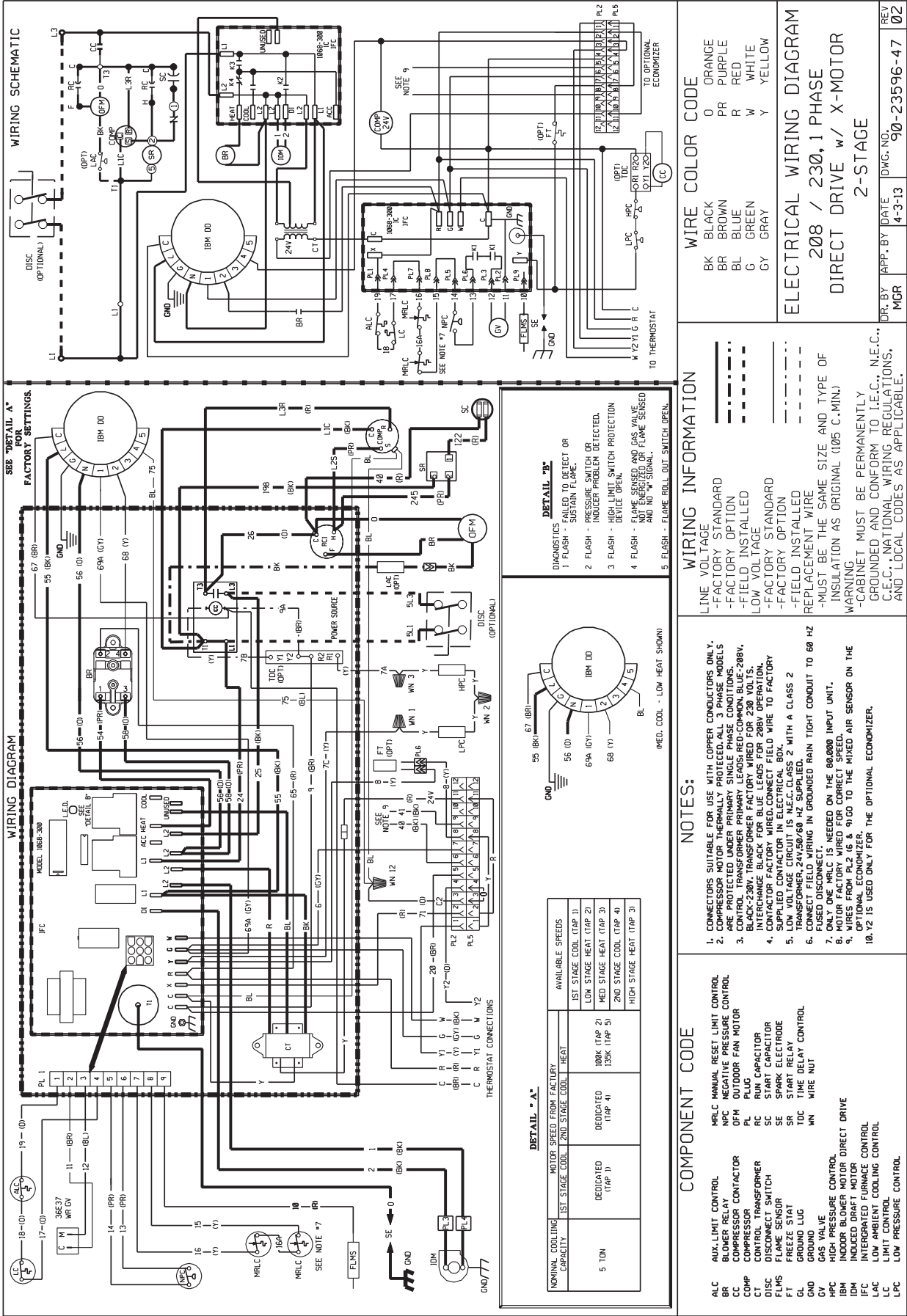
BK	BLACK
BR	BROWN
BL	BLUE
G	GREEN
GY	GRAY
O	ORANGE
PR	PURPLE
R	RED
W	WHITE
Y	YELLOW

ELECTRICAL WIRING DIAGRAM

575, 3 PHASE, 60 HZ
 BELT DRIVE

DR. BY: MGR
 APP. BY: MGR
 DATE: 2-11-13
 DWG. NO.: 90-23596-45
 REV: 01

FIGURE 36
WIRING DIAGRAM



NOMINAL COOLING CAPACITY	MOTOR SPEED FROM FACTORY		AVAILABLE SPEEDS	
	1ST STAGE COOL (TRAP 1)	2ND STAGE COOL (TRAP 2)	1ST STAGE COOL (TRAP 1)	HEAT
5 TON	DEDICATED (TRAP 1)	DEDICATED (TRAP 4)	190K (TRAP 2)	LOW STAGE HEAT (TRAP 3)
			135K (TRAP 5)	2ND STAGE COOL (TRAP 4)
	DEDICATED (TRAP 1)	DEDICATED (TRAP 4)	190K (TRAP 2)	HIGH STAGE HEAT (TRAP 3)
			135K (TRAP 5)	

- COMPONENT CODE**
- ALC AUX. LIMIT CONTROL
 - BR BLOWER MOTOR
 - CC COMPRESSOR CONTACTOR
 - COMP COMPRESSOR MOTOR
 - CONV CONDENSER FAN MOTOR
 - DISC DISCONNECT SWITCH
 - FLMS FLAME SENSOR
 - FT FREEZE STAT
 - GL GROUND LUG
 - GN GROUND
 - GV GAS VALVE
 - HPC HIGH PRESSURE CONTROL
 - IBM INDOOR BLOWER MOTOR
 - IBD INDOOR BLOWER MOTOR DIRECT DRIVE
 - IFC INTERLOCKED FURNACE CONTROL
 - ILC INTERLOCKED COOLING CONTROL
 - LC LIMIT CONTROL
 - LPC LOW PRESSURE CONTROL
 - MRLC MANUAL RESET LIMIT CONTROL
 - NPC NEGATIVE PRESSURE CONTROL
 - OFM OUTDOOR FAN MOTOR
 - PLM PLUS CAPACITOR
 - RC RUN CAPACITOR
 - SC START CAPACITOR
 - SE SPARK ELECTRODE
 - SR START RELAY
 - TRC TIME DELAY CONTROL
 - WN WIRE NUT

- NOTES:**
1. CONNECTORS SUITABLE FOR USE WITH COPPER CONDUCTORS ONLY.
 2. COMPRESSOR MOTOR THERMALLY PROTECTED, ALL 3 PHASE MODELS ARE PROTECTED UNDER PRIMARY SINGLE PHASE CONDITIONS.
 3. CONTROL TRANSFORMER PRIMARY LEADS: RED-COMMON, BLUE-208V, BLACK-230V, TRANSFORMER FACTORY WIRED FOR 230 VOLTS. INTERCHANGE BLACK FOR BLUE LEADS FOR 208V OPERATION.
 4. SUPPLIED BLACK BLUE LEADS FOR 98BY OPERATION. SUPPLIED CONTACTOR IN ELECTRICAL BOX.
 5. LOW VOLTAGE CIRCUIT IS N.E.C. CLASS 2 WITH A CLASS 2 TRANSFORMER, 24V/50/60 HZ SUPPLIED.
 6. CONNECT FIELD WIRING IN GROUNDED RAIN TIGHT CONDUIT TO 60 HZ FUSED DISCONNECT.
 7. WIRE COLOR CODE IS BASED ON THE 60,000 INPUT UNIT.
 8. MOTOR FACTORY WIRED FOR CORRECT SPEED.
 9. WIRES FROM PL2 16 & 9/10 TO THE MIXED AIR SENSOR ON THE OPTIONAL ECONOMIZER.
 10. Y2 IS USED ONLY FOR THE OPTIONAL ECONOMIZER.

- WIRING INFORMATION**
- LINE VOLTAGE
- FACTORY STANDARD
 - FACTORY OPTION
 - FIELD INSTALLED
 - LOW VOLTAGE
 - FACTORY STANDARD
 - FACTORY OPTION
 - FIELD INSTALLED
- MUST BE THE SAME SIZE AND TYPE OF INSULATION AS ORIGINAL (105 C. MIN.)
- WARNING
- CABINET MUST BE PERMANENTLY GROUNDED AND CONFORM TO I.E.C. N.E.C., C.E.C. NATIONAL WIRING REGULATIONS, AND LOCAL CODES AS APPLICABLE.

- WIRE COLOR CODE**
- BK BLACK
 - BR BROWN
 - BL BLUE
 - G GREEN
 - GY GRAY
 - OR ORANGE
 - PR PURPLE
 - R RED
 - W WHITE
 - Y YELLOW

FIGURE 37
WIRING DIAGRAM

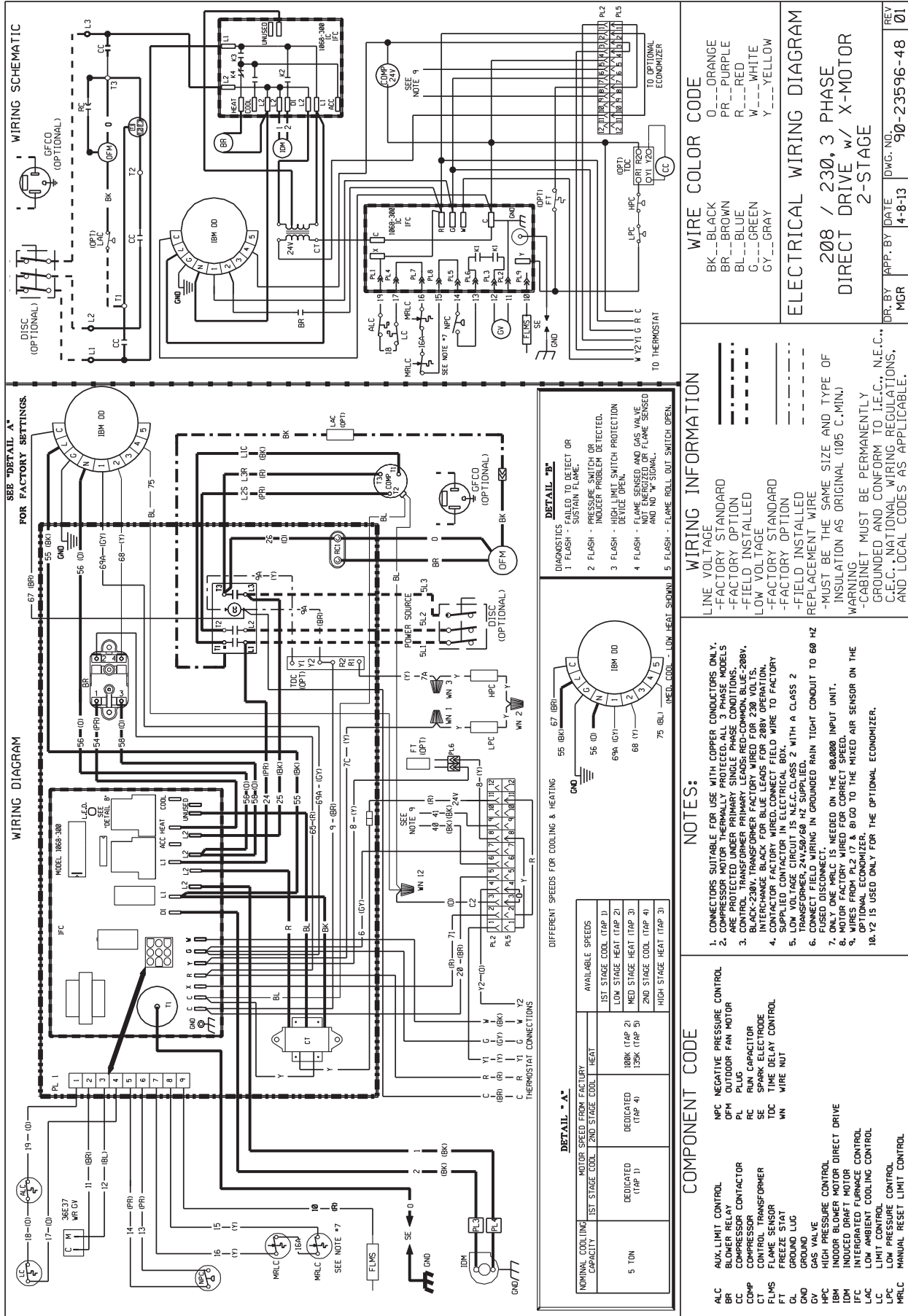
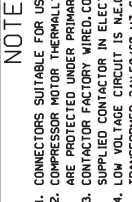
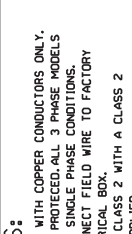
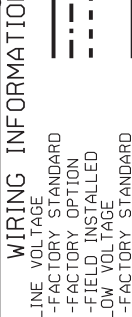
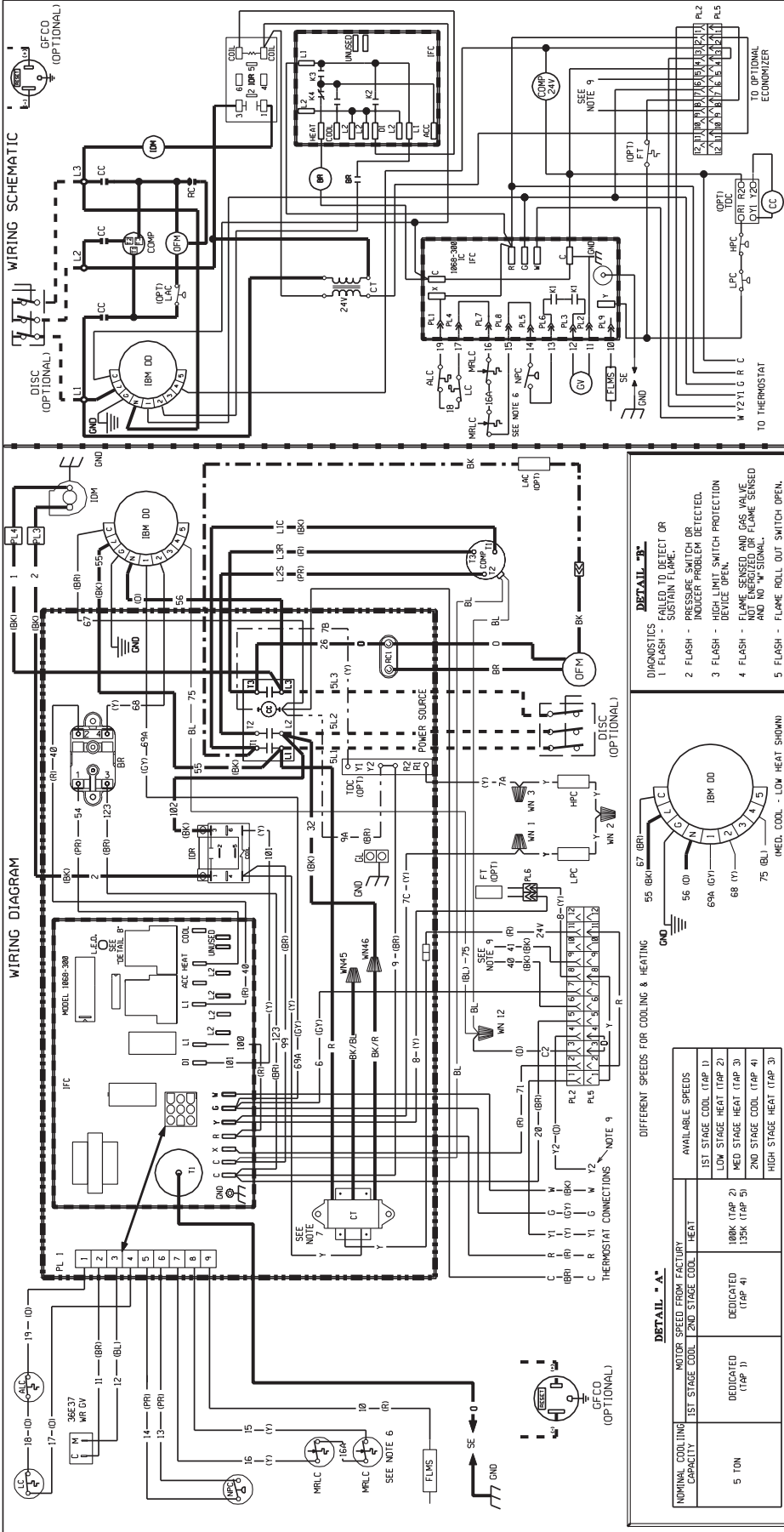


FIGURE 38
WIRING DIAGRAM



COMPONENT CODE

ALC	AUX LIMIT CONTROL
BL	BLOWER CONTACTOR
CC	COMPRESSOR CONTACTOR
COMP	COMPRESSOR
CT	CONTROL TRANSFORMER
DISC	DISCONNECT SWITCH
FLMS	FLAME SENSOR
FT	FREEZE STAT
GFCC	GROUND FAULT
GL	GROUND LUG
GV	GAS VALVE
IBM	INDOOR BLOWER MOTOR
IDR	INDUCED DRAFT MOTOR
IFC	INTEGRATED FURNACE CONTROL
LAC	LOW AMBIENT COOLING CONTROL
LC	LIMIT CONTROL
LP	LOW PRESSURE CONTROL
MRLC	MANUAL RESET LIMIT CONTROL
NPC	NEGATIVE PRESSURE CONTROL
OFM	OUTDOOR FAN MOTOR
PL	PLUG
RC	RUN CAPACITOR
SD	SMOKE DETECTOR
SE	SPARK ELECTRODE
TDC	TIME DELAY CONTROL
WN	WIRE NUT

WIRE COLOR CODE

BK	BLACK
BR	BROWN
BL	BLUE
GY	GREEN
G	GRAY
OR	ORANGE
PR	PURPLE
R	RED
W	WHITE
Y	YELLOW

ELECTRICAL WIRING DIAGRAM
460V X-DRIVE MOTOR
DIRECT DRIVE BLOWER
2-STAGE

NOTES:

- CONNECTORS SUITABLE FOR USE WITH COPPER CONDUCTORS ONLY.
- COMPRESSOR MOTOR THERMALLY PROTECTED. ALL 3 PHASE MODELS ARE PROTECTED UNDER PRIMARY SINGLE PHASE CONDITIONS.
- CONTACTOR FACTORY WIRED. CONNECT FIELD WIRE TO FACTORY SUPPLIED CONTACTOR IN ELECTRICAL BOX.
- LOW VOLTAGE CIRCUIT IS N.E.C. CLASS 2 WITH A CLASS 2 TRANSFORMER, 24V/50/60 HZ SUPPLIED.
- CONNECT FIELD WIRING IN GROUNDED RAIN TIGHT CONDUIT TO 60 HZ FUSED DISCONNECT.
- ONLY ONE MRLC IS NEEDED ON THE 80,000 INPUT UNIT.
- CONTROL TRANSFORMER PRIMARY LEADS: BLUE-COMMON BK/RED-460V, 60 HZ; 7-380V, 50 HZ; RED-24V, 60 HZ; 7-415V, 50 HZ.
- WIRES FROM PL2 (7 & 8) GO TO THE MIXED AIR SENSOR ON THE OPTIONAL ECONOMIZER.
- 72 IS USED ONLY FOR THE OPTIONAL ECONOMIZER.

WIRING INFORMATION

LINE VOLTAGE
-FACTORY STANDARD
-FACTORY OPTION
-FIELD INSTALLED
LOW VOLTAGE
-FACTORY STANDARD
-FACTORY OPTION
-FIELD INSTALLED
REPLACEMENT WIRE
-MUST BE THE SAME SIZE AND TYPE OF INSULATION AS ORIGINAL (105 C. MIN.)
WARNING
-CABINET MUST BE PERMANENTLY GROUNDED AND CONFORM TO I.E.C., N.E.C., C.E.C., NATIONAL WIRING REGULATIONS, AND LOCAL CODES AS APPLICABLE.

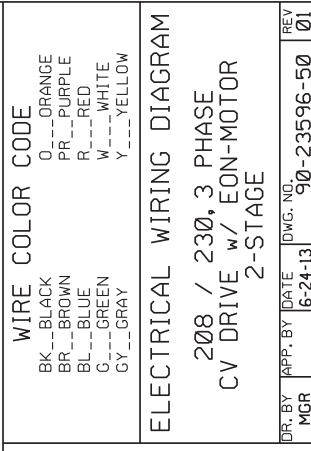
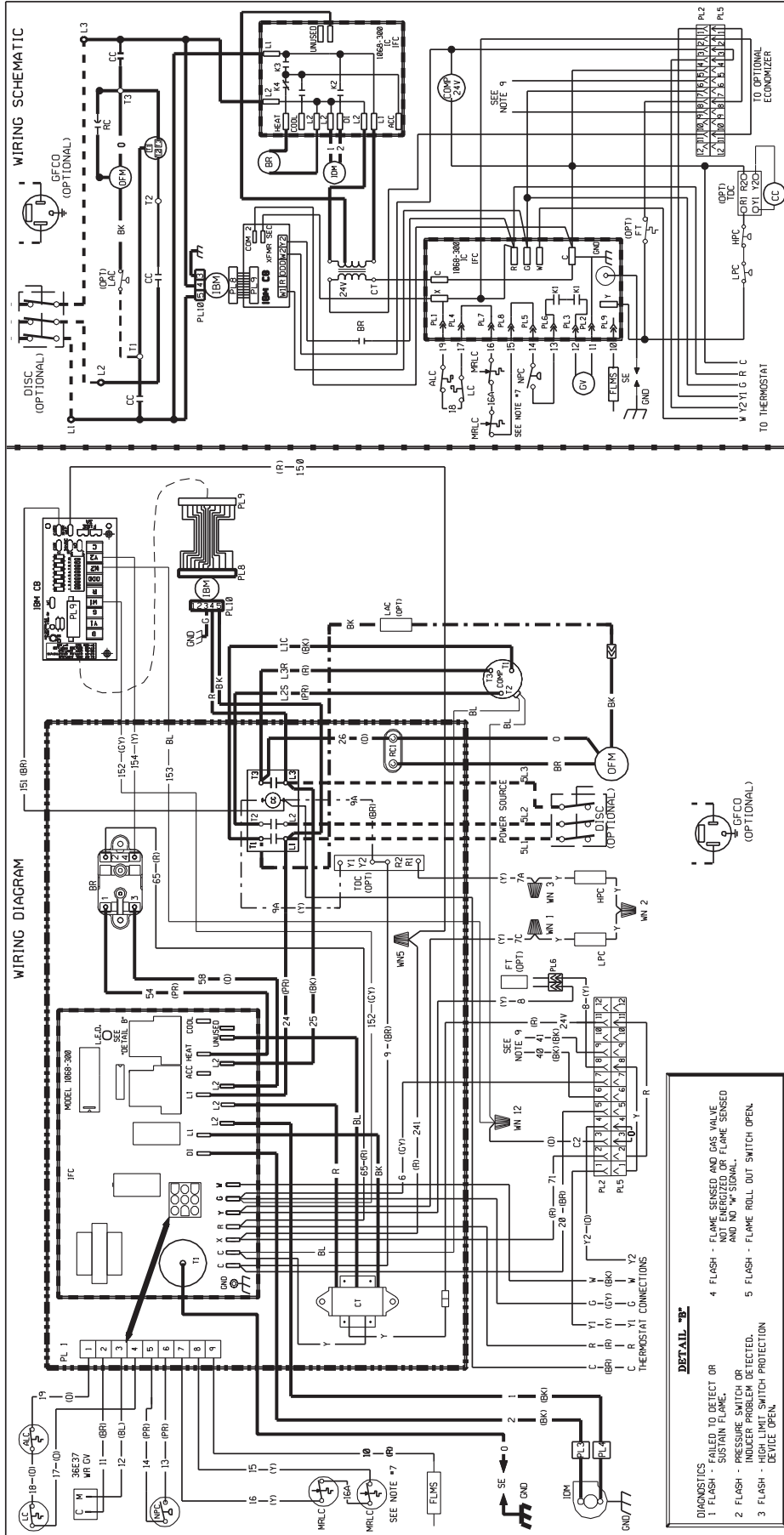
WIRE COLOR CODE

BK BLACK
BR BROWN
BL BLUE
GY GREEN
G GRAY
OR ORANGE
PR PURPLE
R RED
W WHITE
Y YELLOW

ELECTRICAL WIRING DIAGRAM
460V X-DRIVE MOTOR
DIRECT DRIVE BLOWER
2-STAGE

DR. BY: MGR
APP. BY: DATE: 4-5-13
DWG. NO.: 90-23596-49
REV: 01

FIGURE 39
WIRING DIAGRAM



WIRING INFORMATION

LINE VOLTAGE
 -FACTORY STANDARD
 -FACTORY OPTION
 -FIELD INSTALLED
 LOW VOLTAGE
 -FACTORY STANDARD
 -FACTORY OPTION
 -FIELD INSTALLED

REPLACE WIRE
 -MUST BE THE SAME SIZE AND TYPE OF INSULATION AS ORIGINAL (105 C.MIN.)
 -WARNING
 -CABINET MUST BE PERMANENTLY GROUNDED AND CONFORM TO I.E.C., N.E.C., C.E.C. NATIONAL WIRING REGULATIONS, AND LOCAL CODES AS APPLICABLE.

NOTES:

- CONNECTORS SUITABLE FOR USE WITH COPPER CONDUCTORS ONLY.
- COMPRESSOR MOTOR THERMALLY PROTECTED. ALL 3 PHASE MODELS ARE PROTECTED UNDER PRIMARY SINGLE PHASE CONDITION.
- CONTROL TRANSFORMER PRIMARY LEADS: RED-COMMON, BLUE-208V, BLACK-230V. TRANSFORMER FACTORY WIRED FOR 230 VOLTS.
- CONTACTOR FACTORY WIRED. CONNECT FIELD WIRE TO FACTORY SUPPLIED CONTACTOR IN ELECTRICAL BOX.
- LOW VOLTAGE CIRCUIT IS N.E.C. CLASS 2 WITH A CLASS 2 TRANSFORMER, 24V, 50/60 HZ SUPPLIED.
- USED DISCONNECT. NEEDED ON THE 90,000 INPUT UNIT.
- INDUCED DRAFT MOTOR CONTROL BOARD
- MOTOR FACTORY WIRED FOR CORRECT SPEED.
- WIRES FROM PL2 (7 & 8) TO THE MIXED AIR SENSOR ON THE OPTIONAL ECONOMIZER.

COMPONENT CODE

ALC	AUX. LIMIT CONTROL	MRLC	MANUAL RESET LIMIT CONTROL
BC	BURNER CONTROL BOARD	NPC	NEGATIVE PRESSURE CONTROL
CB	COMPRESSOR CONTACTOR	OPM	OUTDOOR PAN MOTOR
COMP	COMPRESSOR	PR	PURPLE
CT	CONTROL TRANSFORMER	RC	RUN CAPACITOR
FLMS	FLAME SENSOR	SE	SPARK ELECTRODE
FT	FREEZE STAT	TDC	TIME DELAY CONTROL
DL	GROUND LUG	WN	WIRE NUT
GND	GROUND		
DV	GAS VALVE		
HPC	HIGH PRESSURE CONTROL		
IBM	INDOOR BLOWER MOTOR CV DRIVE		
IBM CB	INDOOR BLOWER MOTOR CONTROL BOARD		
IDM	INDUCED DRAFT MOTOR		
LAC	LINE VOLTAGE CONTROL		
LCC	LOW AMBIENT COOLING CONTROL		
LPC	LIMIT CONTROL		
	LOW PRESSURE CONTROL		

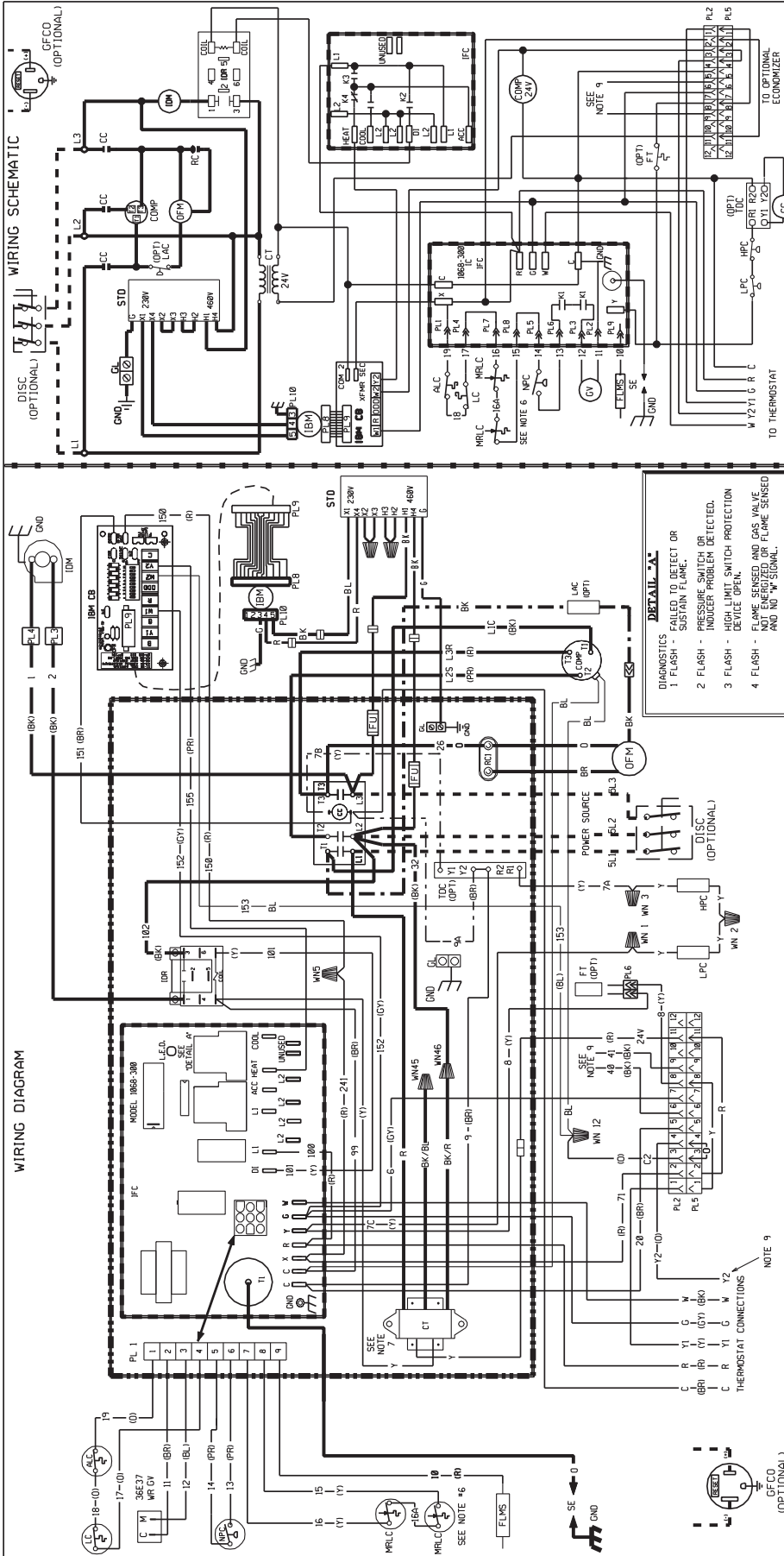
WIRE COLOR CODE

BK	BLACK	O	ORANGE
BR	BROWN	PR	PURPLE
BL	BLUE	R	RED
GR	GREEN	W	WHITE
GY	GRAY	Y	YELLOW

ELECTRICAL WIRING DIAGRAM
 208 / 230, 3 PHASE
 CV DRIVE w/ ECON-MOTOR
 2-STAGE

DR. BY	APP. BY	DATE	DWG. NO.	REV.
MGR		6-24-13	90-23596-50	01

FIGURE 40
WIRING DIAGRAM



WIRE COLOR CODE

BK	BLACK
BR	BROWN
BL	BLUE
G	GREEN
GY	GRAY
O	ORANGE
PR	PURPLE
R	RED
W	WHITE
Y	YELLOW

ELECTRICAL WIRING DIAGRAM
460V X-DRIVE MOTOR
DV DRIVE w/ EON BLOWER
2-STAGE

WIRING INFORMATION

LINE VOLTAGE
-FACTORY STANDARD
-FACTORY OPTION
-FIELD INSTALLED
LOW VOLTAGE
-FACTORY STANDARD
-FACTORY OPTION
-FIELD INSTALLED

REPLACEMENT WIRE
-MUST BE THE SAME SIZE AND TYPE OF INSULATION AS ORIGINAL (105 C.MIN.)
WARNING
-CABINET MUST BE PERMANENTLY GROUNDED AND CONFORM TO I.E.C., N.E.C., C.E.C., NATIONAL WIRING REGULATIONS, AND LOCAL CODES AS APPLICABLE.

- NOTES:**
- CONNECTORS SUITABLE FOR USE WITH COPPER CONDUCTORS ONLY.
 - COMPRESSOR MOTOR THERMALLY PROTECTED. ALL 3 PHASE MODELS ARE PROTECTED UNDER PRIMARY SINGLE PHASE CONDITIONS.
 - SUPPLIED FACTORY WIRED. CONNECT FIELD WIRE TO FACTORY SUPPLIED FACTORY WIRE ELECTRICAL BOX.
 - FOR OIL GAS CIRCUIT IS REC. CLASS 2 WITH A CLASS 2 FUSED DISCONNECT.
 - CONNECT FIELD WIRE TO FACTORY SUPPLIED.
 - ONLY ONE MRLC IS NEEDED ON THE 90,000 INPUT UNIT.
 - CONTROL TRANSFORMER PRIMARY LEADS: BLUE-COMMON BK/RED-460V, 50 HZ / 380V, 50 HZ, RED-575V, 50 HZ / 415V, 50 HZ.
 - WIRES FROM PL 2 (7 & 8) GO TO THE MIXED AIR SENSOR ON THE OPTIONAL ECONOMIZER.

COMPONENT CODE

ALC	AUX LIMIT CONTROL
BC	BLOWER CONTACTOR
CC	COMPRESSOR CONTACTOR
COMP	COMPRESSOR
CT	CONTROL TRANSFORMER
DISC	DISCONNECT SWITCH
FLMS	FLAME SENSOR
FM	FAN MOTOR
FT	FREEZE STAT
FU	FUSE
GFCO	GROUNDING OUTLET
GL	GROUND LUG
GV	GAS VALVE
HPC	HIGH PRESSURE CONTROL
IDM	INDOOR BLOWER MOTOR DIRECT DRIVE
IDR	INDUCED DRAFT MOTOR
IDR	INDUCED DRAFT RELAY
IFC	INTEGRATED FURNACE CONTROL

DR. BY: MGR
APP. BY: DATE: 6-25-13
DWG. NO.: 90-23596-51
REV: 01

FIGURE 41
SYSTEM CHARGE CHARTS

SYSTEM CHARGE CHART - REFRIGERANT 410A

OUTDOOR DRY BULB	3-TON	4-TON	5-TON
---------------------	-------	-------	-------

Pressure Requirements - Gross Charge Check ONLY
 Liquid Pressure / Vapor Pressure

115	475 / 151	499 / 153	499 / 147
105	416 / 149	428 / 151	437 / 144
95	366 / 146	374 / 149	379 / 142
85	317 / 145	323 / 147	328 / 139
75	274 / 143	279 / 145	281 / 136
65	238 / 138	239 / 143	240 / 133
55	205 / 129	207 / 139	207 / 129

Sub Cooling Requirements - Final Charge Verification

115	18	18	17
105	17	17	16
95	17	15	15
85	16	13	13
75	15	12	11
65	15	11	10
55	14	11	10

NOTICE:

- It is required to fine tune unit charge. Indoor ambient temperature must be between 72°F and 82°F dry bulb at the indoor coil.
- Measure liquid line temperature at four (4) inches prior to metering device.
- Confirm the indoor supply air flow is correct, reference rated CFM in the unit Specification Sheets
- Allow the system to run long enough for temperatures and pressures to stabilize.
- Sub-cooling tolerance is +/- 1.5°F
- If obtaining rated sub-cooling values causes liquid/vapor pressures that are significantly different (>20 psig) from those listed on the table, there may be a component or air flow issue. Refer to unit Installation trouble shooting section for further support.

92-104690-01-01

COOLING TROUBLE SHOOTING CHART

⚠ WARNING

DISCONNECT ALL POWER TO UNIT BEFORE SERVICING. CONTACTOR MAY BREAK ONLY ONE SIDE. FAILURE TO SHUT OFF POWER CAN CAUSE ELECTRICAL SHOCK RESULTING IN PERSONAL INJURY OR DEATH.

SYMPTOM	POSSIBLE CAUSE	REMEDY
Unit will not run	<ul style="list-style-type: none"> • Power off or loose electrical connection • Thermostat out of calibration-set too high • Failed contactor • Blown fuses • Transformer defective • High pressure control open (if provided) • Interconnecting low voltage wiring damaged 	<ul style="list-style-type: none"> • Check for correct voltage at compressor contactor in control box • Reset • Check for 24 volts at contactor coil - replace if contacts are open • Replace fuses • Check wiring-replace transformer • Reset-also see high head pressure remedy-The high pressure control opens at 610 PSIG • Replace thermostat wiring
Condenser fan runs, compressor doesn't	<ul style="list-style-type: none"> • Run or start capacitor failed (single phase only) • Start relay defective (single phase only) • Loose connection • Compressor stuck, grounded or open motor winding open internal overload. • Low voltage condition • Low voltage condition 	<ul style="list-style-type: none"> • Replace • Replace • Check for correct voltage at compressor - check & tighten all connections • Wait at least 2 hours for overload to reset. If still open, replace the compressor. • At compressor terminals, voltage must be within 10% of rating plate volts when unit is operating. • Add start kit components
Insufficient cooling	<ul style="list-style-type: none"> • Improperly sized unit • Improper airflow • Incorrect refrigerant charge • Air, non-condensibles or moisture in system • Incorrect voltage 	<ul style="list-style-type: none"> • Recalculate load • Check - should be approximately 400 CFM per ton. • Charge per procedure attached to unit service panel. • Recover refrigerant, evacuate & recharge, add filter drier • At compressor terminals, voltage must be within 10% of rating plate volts when unit is operating.
Compressor short cycles	<ul style="list-style-type: none"> • Incorrect voltage • Defective overload protector • Refrigerant undercharge 	<ul style="list-style-type: none"> • At compressor terminals, voltage must be \pm 10% of nameplate marking when unit is operating. • Replace - check for correct voltage • Add refrigerant
Registers sweat	<ul style="list-style-type: none"> • Low evaporator airflow 	<ul style="list-style-type: none"> • Increase speed of blower or reduce restriction - replace air filter
High head-low vapor pressures	<ul style="list-style-type: none"> • Restriction in liquid line, expansion device or filter drier • Flow check piston size too small • Incorrect capillary tubes • TXV does not open 	<ul style="list-style-type: none"> • Remove or replace defective component • Change to correct size piston • Change coil assembly • Replace TXV
High head-high or normal vapor pressure - Cooling mode	<ul style="list-style-type: none"> • Dirty condenser coil • Refrigerant overcharge • Condenser fan not running • Air or non-condensibles in system 	<ul style="list-style-type: none"> • Clean coil • Correct system charge • Repair or replace • Recover refrigerant, evacuate & recharge
Low head-high vapor pressures	<ul style="list-style-type: none"> • Defective Compressor valves • Incorrect capillary tubes 	<ul style="list-style-type: none"> • Replace compressor • Replace coil assembly
Low vapor - cool compressor - iced evaporator coil	<ul style="list-style-type: none"> • Low evaporator airflow • Operating below 65°F outdoors • Moisture in system 	<ul style="list-style-type: none"> • Increase speed of blower or reduce restriction - replace air filter • Add Low Ambient Kit • Recover refrigerant - evacuate & recharge - add filter drier
High vapor pressure	<ul style="list-style-type: none"> • Excessive load • Defective compressor 	<ul style="list-style-type: none"> • Recheck load calculation • Replace
Fluctuating head & vapor pressures	<ul style="list-style-type: none"> • TXV hunting • Air or non-condensibles in system 	<ul style="list-style-type: none"> • Check TXV bulb clamp - check air distribution on coil - replace TXV • Recover refrigerant, evacuate & recharge
Gurgle or pulsing noise at expansion device or liquid line	<ul style="list-style-type: none"> • Air or non-condensibles in system 	<ul style="list-style-type: none"> • Recover refrigerant, evacuate & recharge
Circulating air blower & inducer run continuously, compressor will not start	<ul style="list-style-type: none"> • Manual reset overtemperature control tripped • Wire loose in limit circuit 	<ul style="list-style-type: none"> • Reset or replace • Check wiring

FURNACE TROUBLESHOOTING GUIDE

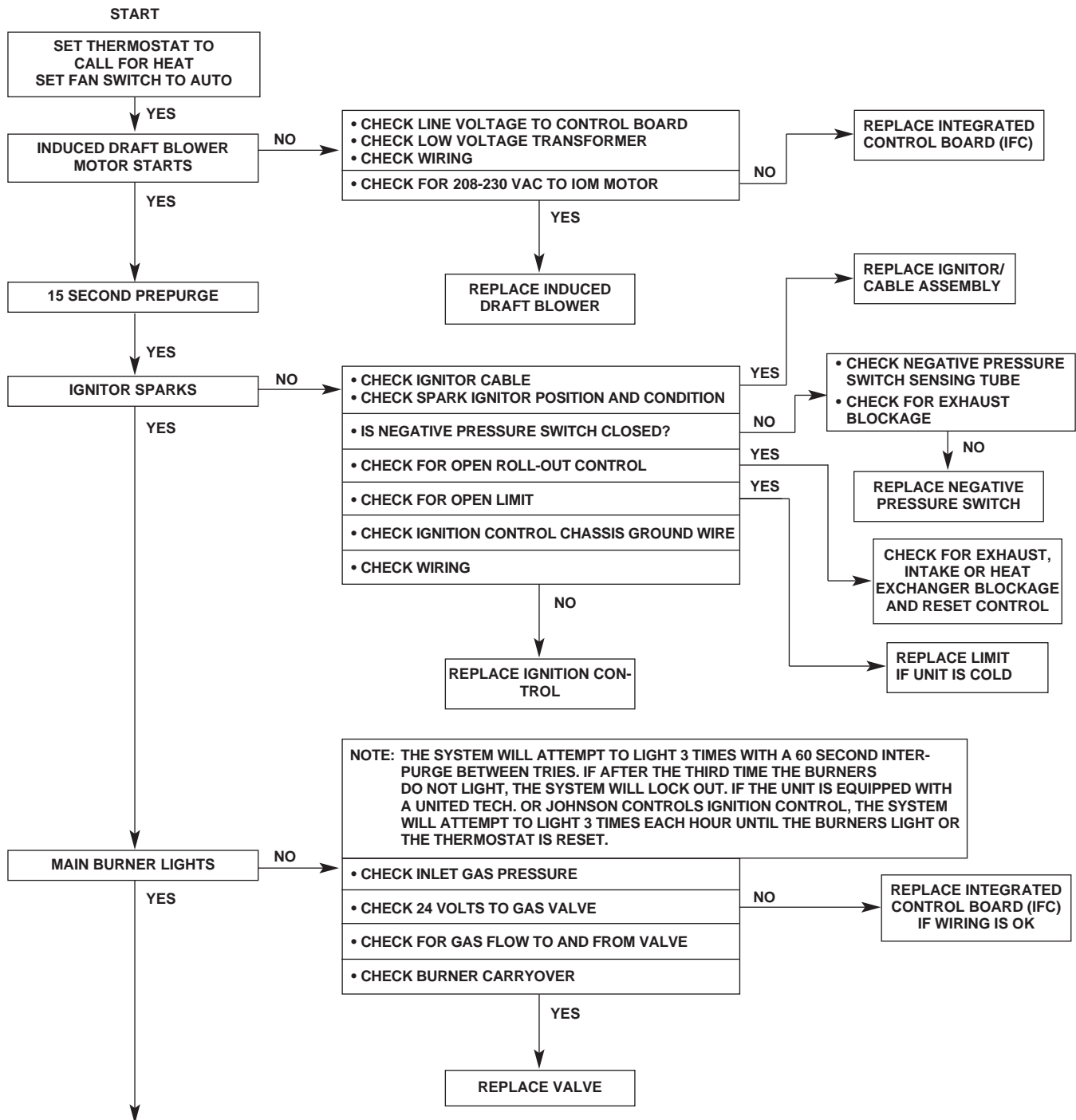
(COMBINATION HEATING AND COOLING UNITS WITH DIRECT SPARK IGNITION)

⚠ WARNING



HAZARDOUS VOLTAGE
LINE VOLTAGE CON-
NECTIONS

DISCONNECT POWER BEFORE
SERVICING.
SERVICE MUST BE BY A TRAINED,
QUALIFIED SERVICE TECHNICIAN.



FLOW CHART CONTINUED ON NEXT PAGE

