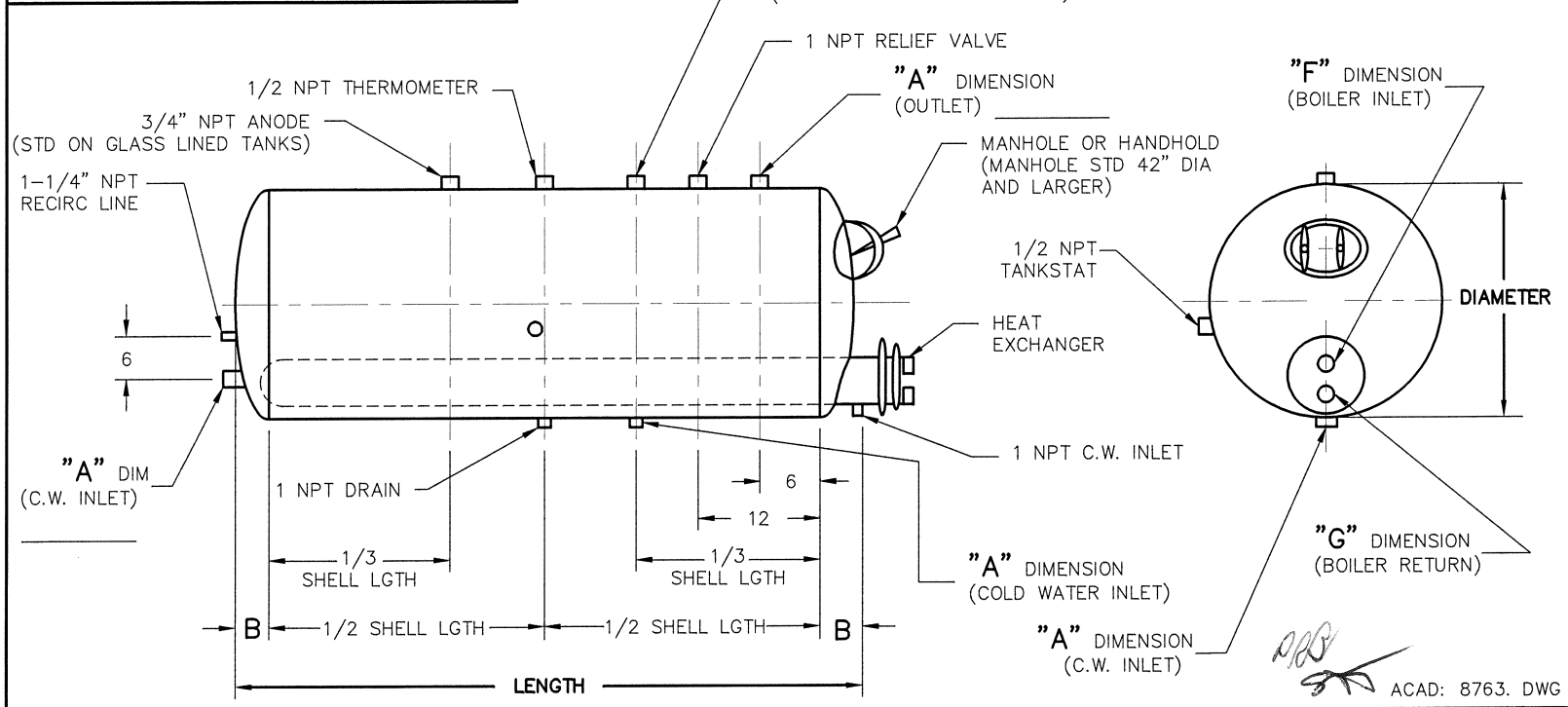


JOB NAME	TANK DIA. IN.	B HEAD DEPTH IN.	SPECIAL NOTES
JOB LOCATION			
BUYER	24	7.5	
	30	9.0	
	36	10.5	
	42	12.0	
	48	14.5	
BUYER ADDRESS	54	15.0	
	60	16.5	
	66	18.0	
RAYPAK QUOTE NO.	72	19.5	
	84	22.5	
	96	25.5	
DATE			

SUBMITTAL PREPARED BY



TANK SPECIFICATIONS	QUANTITY:
	GALLONS:
	WORKING PRESSURE
	ASME
	"A" DIM
	MANHOLE:
LINING	HANDHOLE:
	MAGNESIUM ANODES:
	BLACK STEEL:
	GALVANIZED:
	RAYPAK EPOXY:
HEAT EXCHANGER SPECIFICATIONS	RAYPAK GLASS:
	OTHER:
	MODEL NO.
	NOZZLE DIA.
	FREE TUBE LENGTH
	SQ. FT. HTG. SURFACE
	3/4" FT. TUBING (STD)
CAPACITY	GPH @ °F. Blr. Wtr.
	GPH @ LBS. STEAM
	DEGREE RISE FROM °F TO °F

Raypak
SUBMITTAL SHEET

SCALE: NONE
DATE: 3-12-14
DRAWING NO.: 8763

PRODUCT LINE:
STORAGE TANK, HORIZONTAL WITH HEAT EXCHANGER

TYPE
LINING
SIZES (BTU INPUT)

CATALOG NO.
4000.98C
REPLACES
4000.98B

ACAD: 8763. DWG