



**Product Submittal Hot Water Storage Tank**  
**ASME Code**  
**Custom, 115 - 1794 Gallons**

Date: \_\_\_\_\_ Job: \_\_\_\_\_ Location: \_\_\_\_\_  
Equipment Tags: \_\_\_\_\_ Engineer: \_\_\_\_\_ Contractor: \_\_\_\_\_  
Model: \_\_\_\_\_ Notes: \_\_\_\_\_  
Prepared by: \_\_\_\_\_ Indoor  Outdoor

---

125 PSI pressure rating (standard)

150 PSI pressure rating (optional)

Vertical or horizontal models available

11" x 15" Manhole (inspection opening)

Angle iron legs maximum 6" (vertical units)

Saddles are required for horizontal tanks. Available loose or mounted, at additional cost.

Available openings in:

Threaded (2-1/2 NPT connections standard)

Flanged

Stainless steel

National board registered

Magnesium anodes (Glass-lined tanks only)

Lifting lugs

Insulated with either fiberglass metal-jacketed or rigid foam at a minimum R value of 12.5

Proudly assembled in the USA

FOR STOCK ASME CODE TANKS, SEE PART NO.

241914 Stock, 80-175 Gallons

241915 Stock, 235-534 Gallons



Vertical tank



Horizontal tank



**HLW**

Customer ASME Tanks (115 - 1794 Gallons)

VERTICAL AND HORIZONTAL							
Item No.	Overall Dimension (D X OAL) Inches (mm)	Gallon (Liter)	SHIPPING WEIGHT LBS. (Kg)				O.D (SQ. FT.)
			125 PSI			150 PSI	
			Glass-Lined	Epoxy-Lined	Cement-Lined	Add	
1	24 X 63 (610 X 1600)	115 (435)	N/A	386 (175)	N/A	N/A	36
2	24 X 75 (610 X 1905)	139 (526)		428 (194)			43
3	30 X 66 (762 X 1676)	189 (715)		487 (221)			48
4	30 X 84 (762 X 2133)	235 (889)		506 (230)			58
5	30 X 90 (762 X 2286)	261 (987)		601 (273)			64
6	36 X 69 (914 X 1753)	274 (1037)	597 (271)	597 (271)	907 (411)	N/A	62
7	36 X 84 (914 X 2133)	335 (1268)	645 (293)	645 (293)	1000 (454)		71
8	36 X 93 (914 X 2362)	379 (1434)	725 (329)	725 (329)	1125 (510)		80
9	42 X 72 (1066 X 1828)	390 (1476)	770 (349)	770 (349)	1155 (524)		77
10	42 X 92 (1066 X 2337)	499 (1889)	1599 (725)	1599 (725)	1704 (773)		92
11	42 X 108 (1066 X 2743)	606 (2293)	1000 (454)	1000 (454)	1550 (703)		110
12	48 X 73 (1219 X 1854)	499 (1889)	1472 (668)	1472 (668)	1801 (817)	114 (52)	86
13	48 X 77 (1219 X 1955)	524 (1983)	1088 (493)	1088 (493)	1503 (682)	120 (54)	83
14	48 X 89 (1219 X 2260)	610 (2309)	1155 (523)	1155 (523)	1675 (760)	134 (61)	104
15	48 X 101 (1219 X 2565)	712 (2695)	1271 (577)	1271 (577)	1811 (821)	145 (66)	108
16	48 X 113 (1219 X 2870)	806 (3051)	1370 (621)	1370 (621)	1970 (894)	158 (72)	120
17	54 X 90 (1371 X 2286)	803 (3039)	1357 (616)	1357 (616)	1917 (870)	192 (87)	112
18	54 X 102 (1371 X 2590)	922 (3490)	1478 (670)	1478 (670)	2108 (956)	211 (96)	126
19	60 X 93 (1524 X 2362)	1017 (3850)	1945 (882)	1945 (882)	2610 (1184)	313 (142)	133
20	60 X 105 (1524 X 2667)	1164 (4406)	2000 (907)	2000 (907)	2745 (1245)	329 (149)	149
21	60 X 117 (1524 X 2971)	1311 (4962)	2146 (973)	2146 (973)	2976 (1350)	357 (162)	166
22	60 X 129 (1524 X 3276)	1468 (5556)	2302 (1044)	2302 (1044)	3207 (1455)	385 (175)	181
23	66 X 96 (1676 X 2438)	1260 (4769)	2088 (947)	2088 (947)	2838 (1287)	369 (167)	150
24	66 X 120 (1676 X 3048)	1616 (6117)	2452 (1112)	2452 (1112)	3377 (1532)	439 (199)	185
25	66 X 132 (1676 X 3352)	1794 (6791)	2608 (1183)	2608 (1183)	3658 (1659)	476 (216)	210

STANDARD FEATURES:

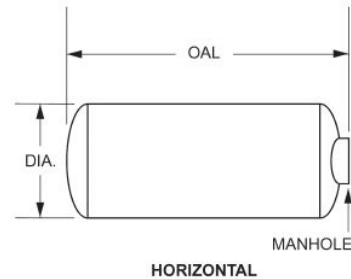
- Manhole
- Red primer coating
- Vertical angle iron legs (max. 6")

NOTES:

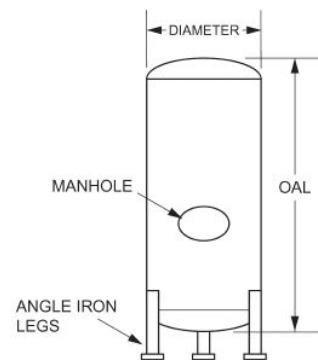
- ASME code certificate may be requested with order.
- Anodes cannot be installed in epoxy- or cement-lined tanks.
- Vertical tanks 36" or less in diameter have 3 legs. Tanks over 36" in diameter have 4 legs.
- Larger tank sizes available. Consult factory for information.

OPTIONAL:

- 150 PSI.
- Saddles mounted or shipped loose on horizontal tanks.



HORIZONTAL



VERTICAL



**Product Submittal for ASME Storage Tank**

**Job:** \_\_\_\_\_

CONNECTION OPTIONS			
Size	Extra (FNPT)	Stainless Steel	Flange 150#
Up to 2"	Y	Y	N
2-1/2"	Y	Y	Y
3"	Y	Y	Y
4"	Y	N	Y
6"	N	N	Y

**NOTES:**

1. 4 NPT fittings are not available on glass-lined and 150 PSI tanks. Flanges are required.
2. Stainless steel fittings are standard on cement tanks.