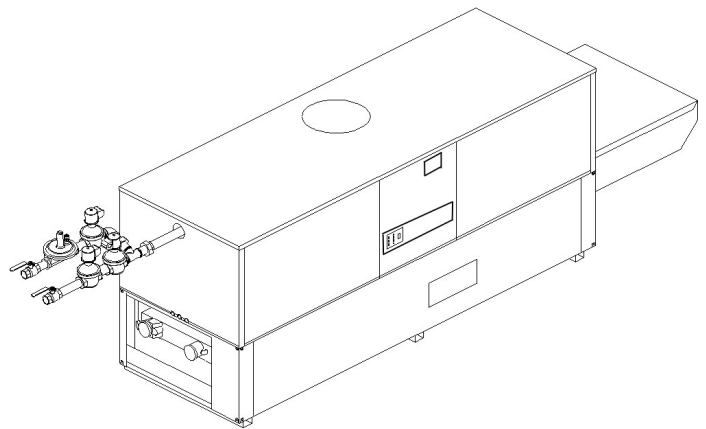




Product Submittal for Hi Delta® FlexGas®- Type H Heating Boiler
Models 992CD-2342CD

Date: _____ Job: _____ Location: _____
Equipment Tags: _____ Engineer: _____ Contractor: _____
Model: _____ Notes: _____
Prepared by: _____ Indoor Outdoor Gas Type: Natural Gas Propane

- 100% Factory fire-tested
- Thermal efficiency: 84%
- Versa IC® Controller with LCD display
- Maximum setpoint: 220°F (104.4°C)
- Maximum outlet temperature: 240°F (115.6°C)
- Minimum non-condensing inlet temperature: 105°F (40.6°C)
- Thermal shock proof heat exchanger
- Limited 20-year thermal shock warranty
- Limited 10-year closed loop heat exchanger warranty
- Full safety diagnostics with fault history
- PolyTuf Powder-coated cabinet
- No combustible floor shield required
- Fan-assisted
- Patented burner security blanket
- SCAQMD Rule 1146.2 certified, Low NOx < 20 ppm
- Cascade up to 8 heaters – no external sequencer required
- Cascade in parallel or sequential modulation modes
- Proudly assembled in the USA



Job: _____

Features and Options

Heat Exchanger

Headers

- Glass-lined cast iron (standard)
- A-1 Bronze
- ASME H stamped; 160 PSIG MAWP
- National board registered
- Fin tubing
 - Copper (standard)
 - A-3 Cupronickel
- ASME Steel tube sheet
- Silicone high temp. O-rings
- ASME Pressure relief valve
 - 60 PSIG (standard)
 - _____ PSIG (optional)
- T&P Gauge
- Water connections
 - Left handed (standard)
 - A-6 Right hand (optional)

Power

- 120V, 60Hz, 1Ø, Power supply
- 120/24V, 60Hz, Transformer

Control

- VERSA IC® Integrated control
- 100% Shut-off/lockout
- Hot surface ignition (HSI)
- Cascade up to 8 heaters
- Parallel and sequential modulation cascade modes
- Cascade flow offset control (only with optional flow meter)
- Water temperature sensors 10kΩ (2 mtd, 3 loose, 1 well)
- Ignition module
 - 3-Try (standard)
 - C-6 Single-try
- Remote flame sensor
- High limit, manual reset, fixed 240°F (115°C)
- On/Off power switch
- Flow switch
- Blocked vent pressure switch
- Combustion air proving switch
- Programmable pump time delays
 - Heater
 - Recirculation
 - Enable/Disable

- LCD Display; status, fault and diagnostics
- Cold water protection function
 - CWR Variable-speed pump
 - CWS Three-way valve
- Modbus RTU BMS Port (Up to 115K baud rate)
 - B-85 – BMS Gateway – BACnet MS/TP, BACnet IP, N2 Metasys or Modbus TCP
 - B-86 – BMS Gateway – LonWorks

Gas Train

- Manual gas shutoff valve(s)
- Gas pressure regulator
- Safety shutoff valve
- Firing control valve
- Firing Mode
 - H8 3-Stage (model 992CD only)
 - H9 4-Stage (models 1262CD-2342CD)
- Fuel
 - Natural gas
 - Propane gas (minimum grade HD-5)
 - G-20 4" WC Nat Supply
- Design Certified ANSI Z21.13/CSA 4.9

Construction

- Indoor/outdoor construction
- Front controls enclosed
- PolyTuf powder-coat finish
- CSA low-lead certified (≤ .25% Lead)

Venting

- Vent location
 - Top (standard)
 - D-14 Rear flue exhaust tee
- Vent termination
 - D-11 Vent termination, outdoor
 - D-15 Vent termination, sidewall (Cat III)
 - D-20 Vent termination vertical (Cat I)
- Combustion air
 - D-16 Air intake elbow (indoor only)
 - D-17 Inline air intake filter (used with Truseal™)

- D-12 Barometric damper, single-acting
- D-21* Truseal direct vent air intake (factory-installed)
- D-22 Truseal™ direct vent air intake (field-installed) (*requires D-17 inline filter kit)
- D-23 Outdoor vent supports
- D-37 Motorized combustion air damper

Options

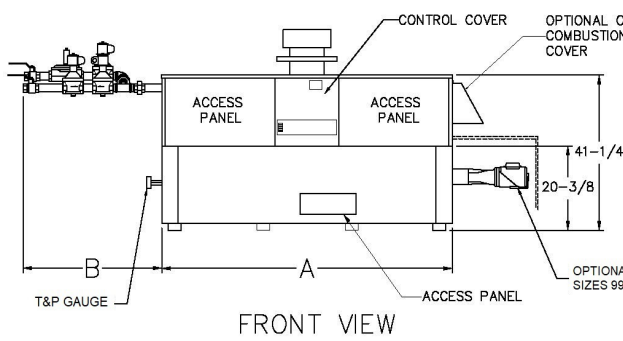
- A-20 30 PSIG MAWP
- B-32 Outdoor air sensor
- B-65 Indirect tank Aquastat control
- E-5 Alarm with 4" bell
 - Factory mounted
 - Shipped loose
- F-10 Low water cut-off, remote probe
- I-1 High limit, auto reset, 240°F (115.6°C) max
- I-2 High limit, manual reset, 240° (115.6°C) max
- I-5 High limit, manual reset, 200°F (93.3°C) max
- I-13 High limit, auto reset, 200°F (93.3°C) max
- P__ Pump: _____ HP, 120V, 1Ø, 60Hz
 - Cast Iron
 - Mounted
 - Front
 - Bronze
 - Loose
 - Rear
- P__ Cold water start
- P__ Cold water run
- S-2 High gas pressure switch, manual
- X-1 SureRack® Kit
- X-2 SureRack above ground support
- X-3 SureRack restraint brackets
- Z-4 T&P relief valve
- Z-9 Thermometer
- _____

Additional Options or Accessories

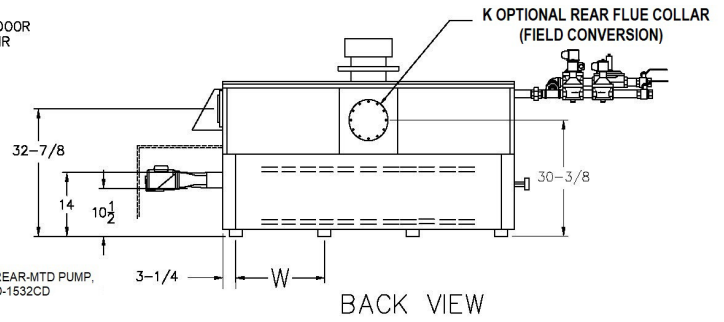
Multi-Boiler Temperature Controllers

- TempTracker Mod+ Hybrid
- B-36 2-4 Heaters
- B-37 5-10 Heaters
- B-38 11-16 Heaters
- B-39* EMS 4-20 mA Remote setpoint interface module
- B-62* BACnet MS/TP Interface (*requires B-36 to B-38)

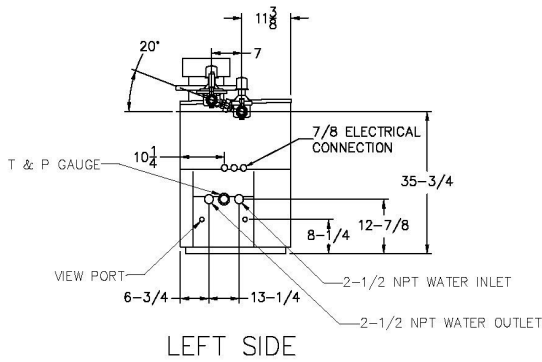
Job: _____



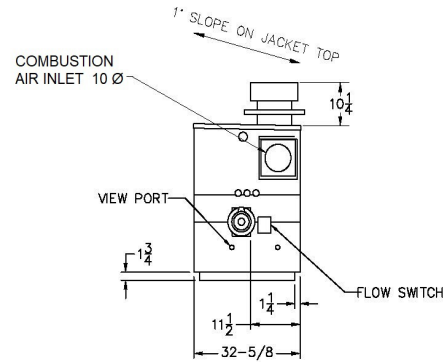
FRONT VIEW



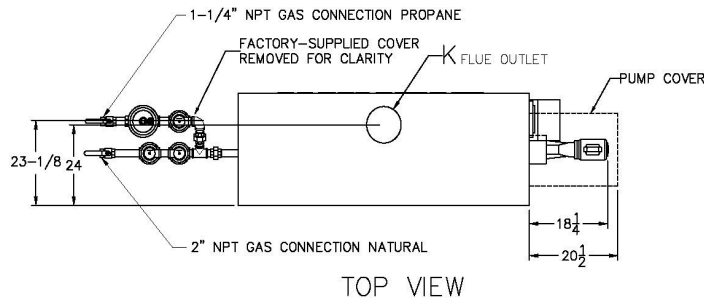
BACK VIEW



LEFT SIDE



RIGHT SIDE



TOP VIEW

NOTE: Pump location varies based on model and application

SPECIFICATIONS									Approx. Shipping Wt. (Lbs.)
Model	MBTUH (Kw)		Firing Stages	Dimensions in (mm)					
	Input	Output		A Width	B	Flue Collar K	W	Amp. Draw*	
<input type="checkbox"/> 992CD	990 (290)	831 (244)	3	57-1/8 (1451)	41-3/8 (1051)	10 (254)	16-1/5 (411)	<12	930 (421.8)
<input type="checkbox"/> 1262CD	1260 (369)	1058 (310)	4	68-1/2 (1740)	41-1/2 (1054)	12 (305)	20-4/7 (522)	<12	1040 (471.7)
<input type="checkbox"/> 1532CD	1530 (448)	1285 (377)	4	79-7/8 (2029)	36 (914)	12 (305)	24-3/8 (619)	<12	1255 (569.2)
<input type="checkbox"/> 1802CD	1800 (528)	1512 (443)	4	91-1/8 (2315)	33-1/2 (851)	14 (356)	28-1/8 (714)	<12	1380 (625.9)
<input type="checkbox"/> 2072CD	2070 (607)	1738 (509)	4	102-1/2 (2604)	39 (991)	14 (356)	32 (811)	<12	1480 (671.2)
<input type="checkbox"/> 2342CD	2340 (686)	1965 (576)	4	113-7/8 (2892)	34 (864)	16 (406)	35-2/3 (906)	<12	1550 (702.9)

*Without pump

NOTES:
 1. Dimensions are in inches.
 2. Rates shown are for natural or propane gas, and elevations up to 4,500 feet. De-rate above 4,500 ft.
 3. Required natural gas supply pressure is 5.6 - 10.5" WC. Required propane gas supply pressure is 11 - 13" WC.



Product Submittal for Hi Delta® FlexGas® - Type H

Job: _____

RATES OF FLOW AND PRESSURE DROPS												
Model	20°F ΔT		30°F ΔT		39°F ΔT		Minimum Flow ⁽¹⁾			Maximum Flow		
	GPM (L/min)	ΔP (FT)	GPM (L/min)	ΔP (FT)	GPM (L/min)	ΔP (FT)	GPM (L/min)	ΔP (FT)	ΔT °F (°C)	GPM (L/min)	ΔP (FT)	ΔT °F (°C)
<input type="checkbox"/> 992CD	83 (315)	5.2	55 (208)	2.3	43 (163)	1.4	43 (163)	1.4	39 (21.6)	132 (500)	13.1	13 (7.2)
<input type="checkbox"/> 1262CD	106 (402)	9.6	71 (269)	4.3	54 (205)	2.5	54 (205)	2.5	39 (21.6)	132 (500)	14.8	16 (8.8)
<input type="checkbox"/> 1532CD	129 (489)	15.7	86 (326)	7.1	66 (250)	4.2	6.6 (250)	4.2	39 (21.6)	132 (500)	16.5	19 (10.5)
<input type="checkbox"/> 1802CD	N/A	N/A	101 (383)	10.7	78 (296)	6.3	78 (296)	6.3	39 (21.6)	132 (500)	18.3	23 (12.7)
<input type="checkbox"/> 2072CD	N/A	N/A	116 (440)	14.8	89 (337)	8.9	89 (337)	8.9	39 (21.6)	132 (500)	19.0	26 (14.4)
<input type="checkbox"/> 2342CD	N/A	N/A	132 (500)	21.1	101 (383)	12.7	101 (383)	12.7	39 (21.6)	132 (500)	21.4	30 (16.6)

- Notes:
1. Basis for minimum flow is 40°F ΔT. Basis for maximum flow is 132 GPM.
 2. Rear-mounted pumps may provide higher flow rates on smaller models than the system requirements.