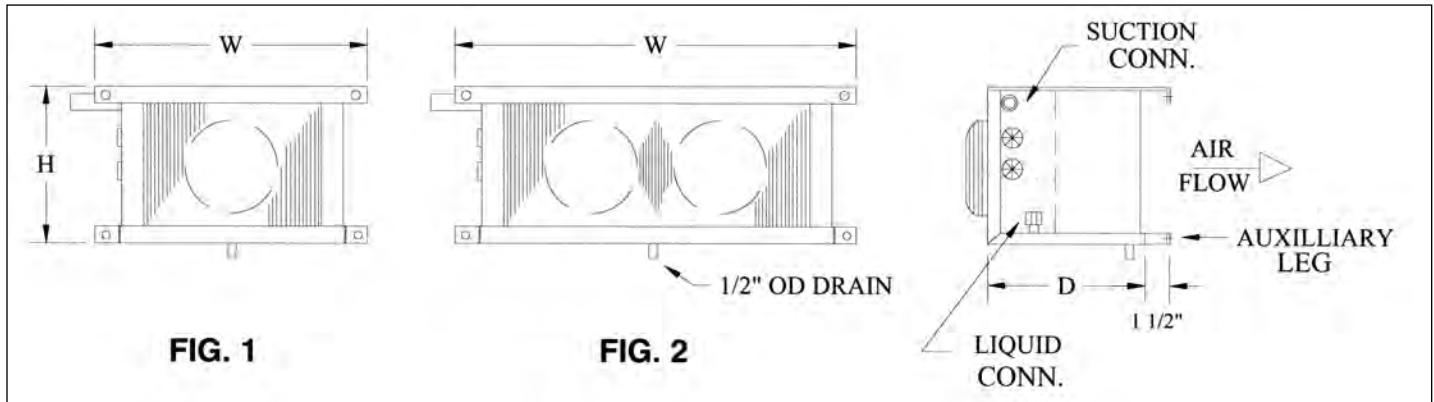


INSTALLATION OPERATION AND MAINTENANCE INSTRUCTIONS

IOM 116



MODEL NUMBER	FIG.	CONNECTIONS (in.)			DIMENSIONS (in.)			APPRX SHIP WT. (LBS)
		LIQUID	SUCTION	DRAIN	H	W	D	
TT 18-8	1	1/2 F.N.	3/8 OD	1/2 OD	7-1/4	13-3/4	6	10
TT 28-13	2	1/2 F.N.	3/8 OD	1/2 OD	7-1/4	19-1/4	6	15
TT 28-17	2	1/2 F.N.	3/8 OD	1/2 OD	7-1/4	19-1/4	6	16



GENERAL

RECEIPT AND EXAMINATION

Carefully check all items against bill of lading to be sure everything has been received as ordered. Carefully inspect all items for damage and, if any is found, report it immediately to the carrier and file damage claim with same.

INSTALLATION

LOCATION AND MOUNTING

The TT is designed to mount on a wall or panel. The unit should be installed so that there are no restrictions on the air inlet or outlet as this will cause the refrigeration system to operate less efficiently.

Remove the unit from the carton. Using the fastener holes in the unit as a guide, locate the mounting fasteners in the wall of the walk-in or reach-in cooler. Use #10 screws or 1/4" diameter bolts to secure the unit to the wall. Fan and motor assembly can be accessed by removing the venturi. This unit must be installed so as to allow drainage of condensate coming off the coil.

The National Sanitation Foundation (NSF) requires that any flush mounted unit be properly and completely sealed, with an approved NSF sealant, between the unit and the mounting surface.

ELECTRICAL

System electrical installation should conform to all applicable codes and practices. All models will require the connection of power to the fan motor according to the nameplate motor circuit electrical ratings.

REPLACEMENT PARTS

To order replacement parts, contact your local representative or contact the factory (800) 288-9488 for the location of the nearest HTP wholesaler. Always provide the evaporator model number, serial number, unit voltage and a complete description of the part required.

Coil Model Number	FAN MOTOR			FAN BLADE			FAN GUARD		DRAIN PAN
	MOTOR HP	MOTOR RPM	PART NUMBER	BORE	DESCRIPTION	PART NUMBER	DIA.	PART NUMBER	PART NUMBER
TT 18-8	43 Watt	3000	102249005	1/4"	621 CW	105849001	6"	205932000	105826001
TT 28-13	43 Watt	3000	102249005	1/4"	621 CW	105849001	6"	205932000	105826002
TT 28-18	43 Watt	3000	100249005	1/4"	621 CW	105849001	6"	205932000	105826003