

RN Series

INDOOR REMOTE COMPRESSOR UNIT 3 THROUGH 40 HP



Unit shown with optional control panel, oil control, liquid, & suction line assemblies.

The RN series of indoor remote compressor units are designed to be compact yet serviceable, offering a full selection of standard and optional features. Their narrow profile allows them to easily fit through doorways and their small footprint maximizes use of premium floor space. An optional stacking rack can further enhance floor space utilization for multiple unit installations.

Standard Features:

- Discus or Reed Semi-hermetic Compressor (Contact factory for Hermetic Compressors)
- Suction and discharge service valves (as requires)
- Compressor springs and discharge vibrasorber
- Dual pressure control
- Liquid receiver with isolation valves
- Compressor head cooling fan (as required)
- Pressure relief valve or fusible plug
- Contactor box
- Compressor contactor and control circuit fusing
- UL and C-UL listed

Optional Features:

- Large electrical control panel (as shown above)
- Crankcase heater
- Liquid line assembly (filter and vibration absorber)
- Suction line assembly (filter and vibration absorber)
- Suction Accumulator (mounted)
- Oil Separator (mounted)
- Air or Electric Defrost provisions (requires optional control panel)
- Pumpdown toggle switch
- Two tier stacking rack
- Oil failure control (as required)

INDOOR REMOTE COMPRESSOR UNIT

BTUH Capacity @ 105°F Condensing Temperature

NOM. H.P.	REF. TYPE	MODEL NUMBER	BTUH CAPACITY AT SUCTION TEMPERATURE (°F)									
			40°	30°	25°	20°	10°	0°	-10°	-20°	-30°	-40°
3	404A	RNS3M44	----	----	30000	26800	21000	16400	----	----	----	----
4	404A	RNS4M44	----	----	41500	36700	28400	21400	----	----	----	----
5	404A	RND5M44	77200	62600	56000	49800	39100	30200	23200	----	----	----
6	404A	RND6M44	94000	76200	68300	61000	48300	37700	29200	----	----	----
7.5	404A	RND7M44	107600	87600	78800	70700	56600	44800	34900	----	----	----
7.5	404A	RND8M44	126100	102700	92400	82800	66100	52200	40700	----	----	----
10	404A	RND10M44	148700	121600	109600	98700	79400	63000	49100	----	----	----
12	404A	RND12M44	203800	166100	149450	134200	107400	85200	66900	----	----	----
15	404A	RND15M44	204700	167200	150600	135400	108700	86300	67700	----	----	----
20	404A	RND20M44	218200	179000	161000	144200	114100	88700	67100	----	----	----
25	404A	RND25M44	272400	226300	204600	183800	146250	114900	91200	----	----	----
30	404A	RND30M44	333550	273000	245800	220500	175400	137500	106150	----	----	----
35	404A	RND35M44	422100	343600	309000	277300	221650	175200	136400	----	----	----
40	404A	RND40M44	482800	398900	360900	325500	261950	208100	163350	----	----	----
3	404A	RNS3L44	----	----	----	----	----	25100	18900	13500	9100	5700
3	404A	RND3L44	----	----	----	----	----	32800	25300	19000	13900	9600
4	404A	RND4L44	----	----	----	----	----	39200	30400	23100	17000	11900
5	404A	RND5L44	----	----	----	----	----	44300	34700	26600	19900	14100
6	404A	RND6L44	----	----	----	----	----	53100	41600	32000	24000	17400
7.5	404A	RND8L44	----	----	----	----	----	62700	49100	37900	28600	20600
9	404A	RND9L44	----	----	----	----	----	76900	60200	46300	34700	25200
10	404A	RND10L44	----	----	----	----	----	85200	67500	52400	39500	28700
12	404A	RND12L44	----	----	----	----	----	88700	69500	54000	40800	28200
15	404A	RND15L44	----	----	----	----	----	114900	91100	71800	55200	39800
22	404A	RND22L44	----	----	----	----	----	138000	110200	86400	65400	46300
27	404A	RND27L44	----	----	----	----	----	175800	139400	107400	80000	57180
30	404A	RND30L44	----	----	----	----	----	198200	155900	120300	90300	64860

- NOTES:** 1. Increase (decrease) capacity 3% for each 5°F lower (higher) condensing temperature.
2. When ordering a R-507 model, change the model number suffix from 44 to 57.

INDOOR REMOTE COMPRESSOR UNIT

BTUH Capacity @ 105°F Condensing Temperature

RUSSELL MODEL NUMBER	COMP. MODEL NUMBER	AMPS @ 230/1/60			AMPS @ 208-230/3/60			AMPS @ 460/3/60		
		COMPRESSOR		MIN. CIRC AMPACITY*	COMPRESSOR		MIN. CIRC AMPACITY*	COMPRESSOR		MIN. CIRC AMPACITY*
		RLA	LRA		RLA	LRA		RLA	LRA	
RNS3M44	ERF-031E	----	----	----	12.4	82	17	5.8	41	15
RNS4M44	NRB-040E	----	----	----	21.8	141	29	11.3	62.5	15
RND5M44	2DD-050E	----	----	----	22.3	120	29	10.5	60	15
RND6M44	2DL-075E	----	----	----	31.6	169	42	13.8	85	19
RND7M44	2DA-075E	----	----	----	32.0	169	42	14.1	85	19
RND8M44	3DA-075E	----	----	----	41.0	215	53	20.0	106	27
RND10M44	3DB-100E	----	----	----	43.6	215	56	20.0	106	27
RND12M44	3DF-120E	----	----	----	48.2	275	63	23.6	138	31
RND15M44	3DS-150E	----	----	----	59.6	275	76	29.0	138	38
RND20M44	4DA-200E	----	----	----	66.0	308	84	33.0	154	43
RND25M44	4DH-250E	----	----	----	82.2	428	105	41.1	214	52
RND30M44	4DJ-300E	----	----	----	94.0	470	120	45.0	235	58
RND35M44	6DH-350E	----	----	----	107.0	565	136	55.0	260	70
RND40M44	6DJ-400E	----	----	----	142.0	594	180	70.0	315	90
RNS3L44	LAH-032E	16.7	105	24	12.8	112	18	6.2	56	15
RND3L44	2DF-030E	----	----	----	16.8	102	23	8.1	52	15
RND4L44	2DL-040E	----	----	----	26.3	161	35	10.2	60	15
RND5L44	2DA-060E	----	----	----	28.8	161	38	10.2	60	15
RND6L44	3DA-060E	----	----	----	26.5	150	36	12.0	77	17
RND8L44	3DB-075E	----	----	----	31.5	161	42	16.1	83	22
RND9L44	3DF-090E	----	----	----	39.0	215	51	16.9	106	23
RND10L44	3DS-100E	----	----	----	42.0	215	55	18.6	106	25
RND12L44	4DA-101E	----	----	----	45.6	220	59	22.8	110	30
RND15L44	4DL-150E	----	----	----	52.6	278	68	26.3	139	35
RND22L44	4DT-220E	----	----	----	66.0	374	85	33.0	187	43
RND27L44	6DL-270E	----	----	----	80.8	450	103	41.6	218	51
RND30L44	6DT-300E	----	----	----	95.6	470	122	42.8	235	55

* Minimum Circuit Ampacity shown is for the remote compressor and control circuit only, and does not include provisions for condenser fan, evaporator fan, or electric defrost loads should they be required. Consult the factory or the unit nameplate for more specific information.

INDOOR REMOTE COMPRESSOR UNIT

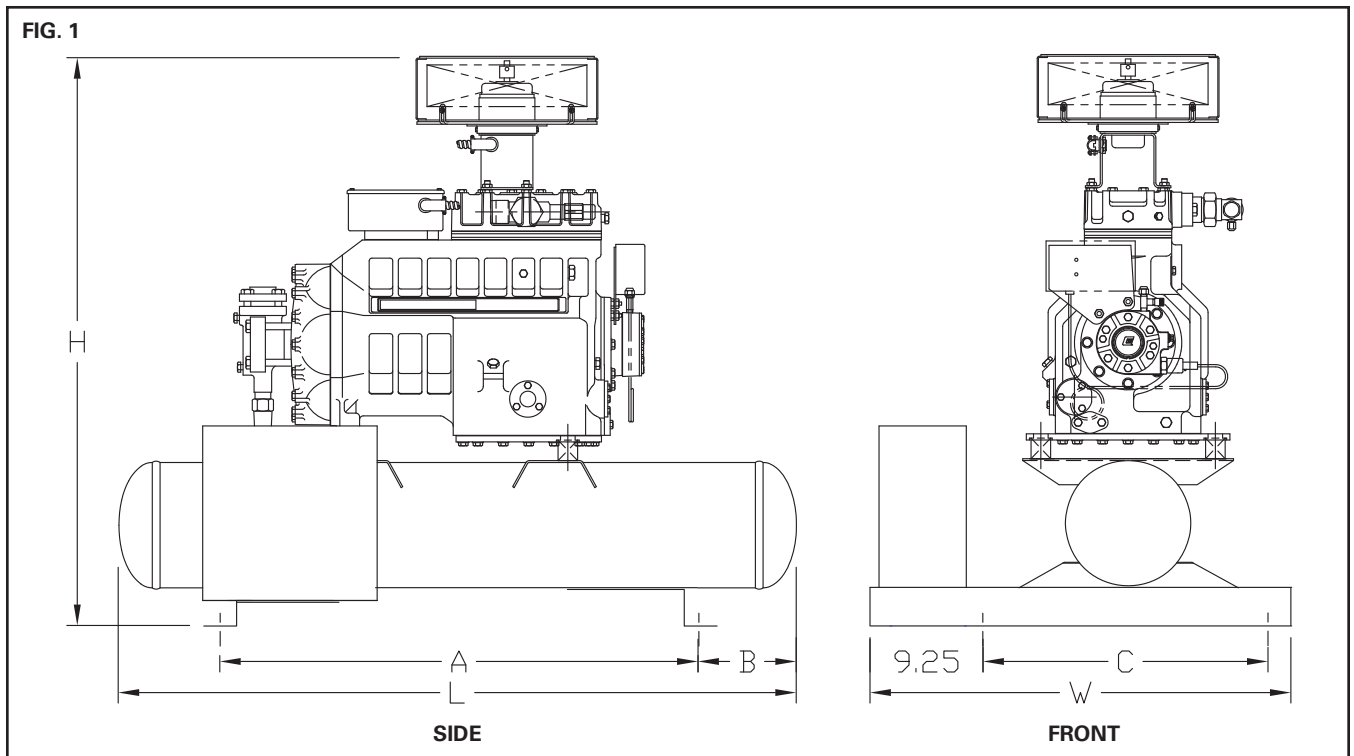
BTUH Capacity @ 105°F Condensing Temperature

NOM. H.P.	REF. TYPE	Russell Model Number	Pumpdown Cap. @ 90% (lbs)	Dimensions (Inches)						Rec'r Inlet & Outlet	Suction	Disch	Liquid Line Kit	Suction Line Kit	Approx. Ship Wt. (lbs)
				† Approx. Overall			Mounting								
				L	W	H	A	B	C						
3	404A	RNS3M44	28	34	29	26*	18.5	8.25	19.5	5/8	1-1/8	5/8	5/8	1-1/8	390
4	404A	RNS4M44	28	34	29	28*	18.5	8.25	19.5	5/8	1-1/8	5/8	5/8	1-1/8	470
5	404A	RND5M44	71	42	29	31*	33.5	4.25	19.5	5/8	1-3/8	7/8	5/8	1-3/8	470
6	404A	RND6M44	71	42	29	31*	33.5	4.25	19.5	5/8	1-3/8	7/8	7/8	1-3/8	530
7.5	404A	RND7M44	81	48	29	31*	39.5	4.25	19.5	7/8	1-3/8	7/8	7/8	1-3/8	530
7.5	404A	RND8M44	81	48	29	31*	39.5	4.25	19.5	7/8	1-3/8	1-1/8	7/8	1-3/8	580
10	404A	RND10M44	124	48	29	34	36.5	5.75	19.5	1-1/8	1-3/8	1-1/8	1-1/8	1-3/8	760
12	404A	RND12M44	124	48	29	34	36.5	5.75	19.5	1-1/8	1-3/8	1-1/8	1-1/8	1-3/8	770
15	404A	RND15M44	124	48	29	34	36.5	5.75	19.5	1-1/8	1-5/8	1-1/8	1-1/8	1-5/8	780
20	404A	RND20M44	124	48	32	35	36.5	5.75	22.5	1-1/8	1-5/8	1-3/8	1-1/8	1-5/8	820
25	404A	RND25M44	156	60	32	38	44.5	5.75	22.5	1-1/8	2-1/8	1-3/8	1-1/8	2-1/8	1035
30	404A	RND30M44	266	72	32	38	50.5	11.5	22.5	1-3/8	2-1/8	1-3/8	1-3/8	2-1/8	1090
35	404A	RND35M44	266	72	32	36	50.5	11.5	22.5	1-3/8	2-1/8	1-3/8	1-3/8	2-1/8	1235
40	404A	RND40M44	266	72	32	38	50.5	11.5	22.5	1-3/8	2-1/8	1-5/8	1-3/8	2-1/8	1285
3	404A	RNS3L44	28	34	29	35	18.5	8.25	19.5	5/8	1-1/8	5/8	5/8	1-1/8	370
3	404A	RND3L44	28	34	29	39	18.5	8.25	19.5	5/8	1-3/8	7/8	5/8	1-3/8	390
4	404A	RND4L44	28	34	29	39	18.5	8.25	19.5	5/8	1-3/8	7/8	5/8	1-3/8	450
5	404A	RND5L44	28	34	29	39	18.5	8.25	19.5	5/8	1-3/8	7/8	5/8	1-3/8	470
6	404A	RND6L44	28	34	29	39	18.5	8.25	19.5	5/8	1-3/8	1-1/8	5/8	1-3/8	500
7.5	404A	RND8L44	71	42	29	38	33.5	4.25	19.5	5/8	1-3/8	1-1/8	5/8	1-3/8	590
9	404A	RND9L44	71	42	29	38	33.5	4.25	19.5	5/8	1-3/8	1-1/8	5/8	1-3/8	620
10	404A	RND10L44	71	42	29	38	33.5	4.25	19.5	5/8	1-3/8	1-1/8	5/8	1-3/8	790
12	404A	RND12L44	81	48	32	36	39.5	4.25	19.5	7/8	1-5/8	1-1/8	7/8	1-5/8	800
15	404A	RND15L44	81	48	32	36	39.5	4.25	22.5	7/8	1-5/8	1-3/8	7/8	1-5/8	820
22	404A	RND22L44	124	48	32	38	36.5	5.75	22.5	1-1/8	1-5/8	1-3/8	1-1/8	1-5/8	1010
27	404A	RND27L44	219	60	32	44	44.5	5.5	22.5	1-1/8	2-1/8	1-3/8	1-1/8	2-1/8	1235
30	404A	RND30L44	219	60	32	46	44.5	5.5	22.5	1-1/8	2-1/8	1-3/8	1-1/8	2-1/8	1285

* Height is 32 inches with optional control panel.

† Overall dimensions are subject to change when "RN" units are supplied with optional oil separator or suction accumulator.

Dimensional Data



* All dimensions are in inches. All mounting holes are 3/8"