

▲ Warning: This water heater is not suitable for use in manufactured (mobile) homes!

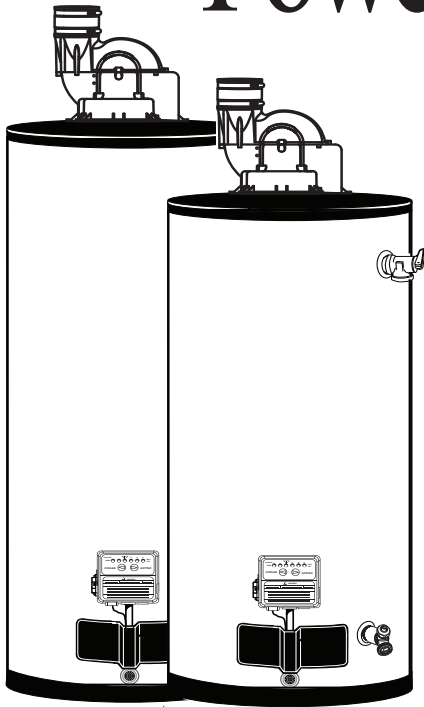
Use & Care Manual

With Installation Instructions for the Installer

Commercial Gas- FVIR Certified

PowerDirectVent Water Heaters

Commercial 50, 65 & 75 Gallon Models



The purpose of this manual is twofold: one, to provide the installer with the basic directions and recommendations for the proper installation and adjustment of the water heater; and two, for the owner-operator, to explain the features, operation, safety precautions, maintenance and troubleshooting of the water heater. This manual also includes a parts list.

It is very important that all persons who are expected to install, operate or adjust this water heater read the instructions carefully so they may understand how to perform these operations. If you do not understand these instructions or any terms within it, seek professional assistance.

Any questions regarding the operation, maintenance, service or warranty of this water heater should be directed to the seller from whom it was purchased. If additional information is required, refer to the section on "If you need service."

Do not destroy this manual. Please read carefully and keep in a safe place for future reference.



Recognize this symbol as an indication of Important Safety Information!



California Proposition 65 Warning: This product contains chemicals known to the State of California to cause cancer, birth defects or other reproductive harm.



WARNING: If the information in these instructions is not followed exactly, a fire or explosion may result causing property damage, personal injury or death.

▲ FOR YOUR SAFETY!

— Do not store or use gasoline or other flammable vapours or liquids or other combustible materials in the vicinity of this or any other appliance. To do so may result in an explosion or fire.

— WHAT TO DO IF YOU SMELL GAS

- Do not try to light any appliance.
- Do not touch any electrical switch; do not use any phone in your building.
- Immediately call your gas supplier from a neighbor's phone. Follow the gas supplier's instructions.

- If you cannot reach your gas supplier, call the fire department.
 - Do not return to your home until authorized by the gas supplier or fire department.
- Improper installation, adjustment, alteration, service or maintenance can cause property damage, personal injury, or death. Refer to this manual. Installation and service must be performed by a qualified installer, service agency or the gas supplier.



Safety Information

Safety Precautions 3-7

LP Gas Models 6

Installation Instructions

Location 8

Water Supply Connections . . . 9

Gas Supply 11

Vent and Combustion

Air-Inlet 12-29

Condensate Management . . . 30

Wiring Diagram 31

Heat Traps 32

Pipe Insulation 33

Installation Checklist 34

Potable/Space Heating 35

Operating Instructions

Lighting Instructions 36

Water Temperature 37-39

Care and Cleaning

Draining 40

Maintenance 40

Vent System Inspection 41

Burner Inspection 41

Extended Shut-Down 41

Troubleshooting Tips

Before You Call

For Service 42-43

LED Codes 44-45

Customer Service

Parts List 46

If You Need Service 48



FOR YOUR RECORDS

Write the model and serial numbers here:

You can find them on a label on the appliance.

Staple sales slip or cancelled check here.

Proof of the original purchase date is needed to obtain service under the warranty.



READ THIS MANUAL

Inside you will find many helpful hints on how to use and maintain your water heater properly. A little preventive care on your part can save you time and money over the life of your water heater.

You'll find many answers to common problems in the Troubleshooting Guide. If you review the chart of Troubleshooting Tips first, you may not need to call for service.



READ THE SAFETY INFORMATION

Your safety and the safety of others are very important. There are many important safety messages in this manual and on your appliance. Always read and obey all safety messages.



This is the safety alert symbol. Recognize this symbol as an indication of Important Safety Information! This symbol alerts you to potential hazards that can kill or hurt you and others.

All safety messages will follow the safety alert symbol and either the word "DANGER", "WARNING", "CAUTION" or "NOTICE".

These words mean:

▲ DANGER

An imminently hazardous situation that will result in death or serious injury.

▲ WARNING

A potentially hazardous situation that could result in death or serious injury and/or damage to property.

▲ CAUTION

A potentially hazardous situation that may result in minor moderate injury.

NOTICE:

Attention is called to observe specified procedure or maintain a specific condition.

IMPORTANT SAFETY INFORMATION

READ ALL INSTRUCTIONS BEFORE USING

Be sure to read and understand the entire Use and Care Manual before attempting to install or operate this water heater. It may save you time and money. Pay particular attention to the Safety Instructions. Failure to follow these warnings could result in serious bodily injury or death. Should you have problems understanding the instructions in this manual, or have any questions, STOP, and get help from a qualified service technician, or the local gas utility.

NOTICE: This water heater is equipped with a flammable vapour sensor that will automatically shut down the water heater in the presence of gasoline vapours and some other flammable vapours. If the flammable vapour sensor shuts down the water heater, contact a qualified service technician. Clear any hazardous materials and ventilate the area around the water heater. Do not turn off the appliance or adjust the ON/OFF switch in any way. Do not tamper with the flammable vapour sensor. Do not submerge the flammable vapour sensor in water. Do not allow the flammable vapour sensor to come into contact with any substances such as bleach or cleaners. See the “Gas Valve LED Code” Section of this manual for a list of diagnostic codes.

! DANGER!



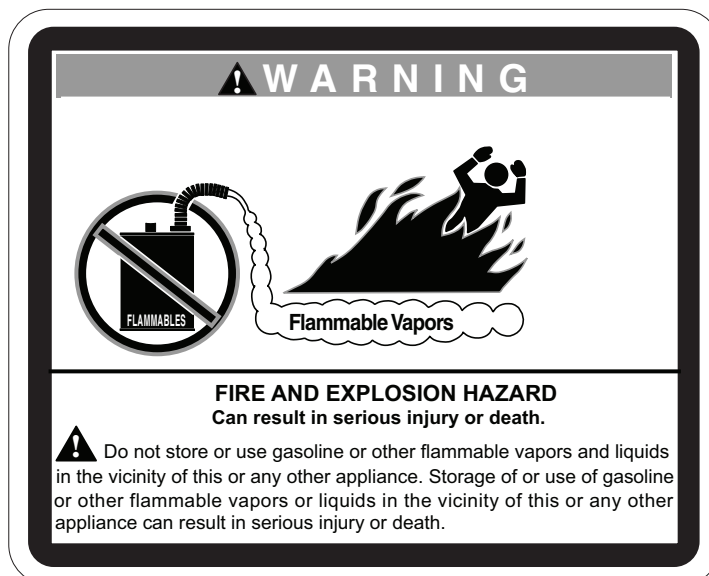
PROPERLY VENT THE WATER HEATER

Failure to properly vent the water heater as outlined in the Vent and Combustion Air-Inlet Section of the Installation Instructions in this manual can result in unsafe operation of the water heater. To avoid the risk of fire, explosion, or asphyxiation from carbon monoxide, never operate this water heater unless both the vent and combustion air-inlet systems are properly installed. Be sure to inspect both the vent and combustion air-inlet for proper installation at initial start-up; and at least periodically thereafter. Refer to the Care and Cleaning section of this manual for more information regarding vent and combustion air-inlet system inspection.



! WARNING!

Gasoline, as well as other flammable materials and liquids (which include but are not limited to adhesives, solvents, paint thinners etc.) and the vapours they produce are extremely dangerous. DO NOT handle, use or store gasoline or other flammable or combustible materials anywhere near or in the vicinity of a water heater or any other appliance. Be sure to read and follow warning label pictured below and other labels on the water heater, as well as the warnings printed in this manual. Failure to do so can result in property damage, bodily injury or death.



IMPORTANT SAFETY INFORMATION. READ ALL INSTRUCTIONS BEFORE USING




⚠️ DANGER!

WATER TEMPERATURE SETTING

Safety and energy conservation are factors to be considered when selecting the water temperature setting of a water heater's combination gas control. Water temperatures above 125°F (52°C) can cause severe burns or death from scalding. Be sure to read and follow the warnings outlined on the label pictured below. This label is also located on the water heater.

⚠️ DANGER



Water temperature over 125° F can cause severe burns instantly or death from scalds.

Children, disabled and elderly are at highest risk of being scalded.

See instruction manual before setting temperature at water heater.

Feel water before bathing or showering.

Temperature limiting valves are available, see manual.

Time/Temperature Relationship in Scalds

Water Temperature	Time To Produce a Serious Burn
120°F (49°C)	More than 5 minutes
125°F (52°C)	1½ to 2 minutes
130°F (54°C)	About 30 seconds
135°F (57°C)	About 10 seconds
140°F (60°C)	Less than 5 seconds
145°F (63°C)	Less than 3 seconds
150°F (66°C)	About 1½ seconds
155°F (68°C)	About 1 second

Table courtesy of Shriners Burn Institute

The chart shown above may be used as a guide in determining the proper water temperature for your home.

⚠️ DANGER: Households with small children, disabled, or elderly persons may require a 120°F (49°C) or lower combination gas control (thermostat) setting to prevent contact with "HOT" water.

Maximum water temperatures occur just after the burner has shut off. To find water temperature being delivered, turn on a hot water faucet and place a thermometer in the water stream and read the thermometer. (See pages 37-39 for more details.)

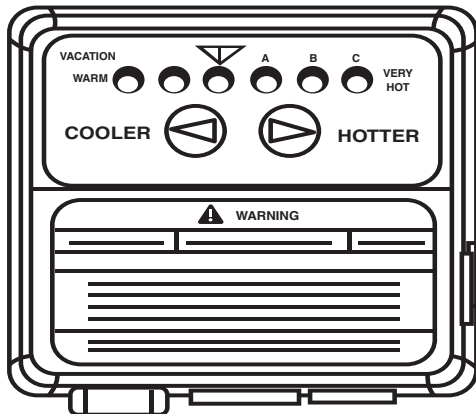
The temperature of the water in the heater can be regulated by pressing the "COOLER" or "HOTTER" arrow buttons ⤴️ ⤵️ on the front of the combination gas control. To comply with safety regulations the combination gas control was set at its lowest setting before the water heater was shipped from the factory. The desired water temperature must be set.

The illustrations on the next page show the approximate thermostat water temperature details for each LED indicator of the combination gas control's display for both the 50 & 65 gallon controls and the 75 gallon controls.

⚠️ DANGER: Hotter water increases the potential for Hot Water SCALDS.

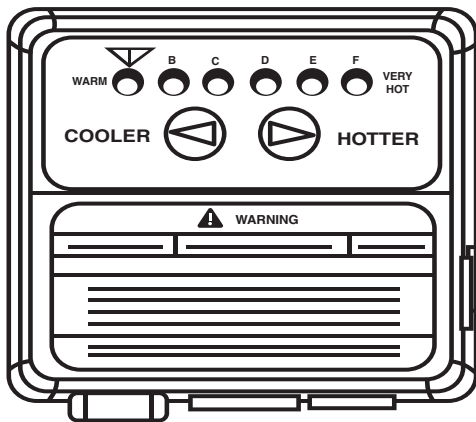
Notice: Mixing valves are available for reducing point of use water temperature by mixing hot and cold water in branch water lines. Contact a licensed plumber or the local plumbing authority for further information.

Thermostat Water Temperature Details



⚠ DANGER: Hotter water increases the potential for Hot Water SCALDS.

Temperature Setting for 50 & 65 gallons	Display ▼ A B C	Burns on Adult Skin
WARM = approx. 70°F (21°C)	● ○ ○ ○ ○ ○	-----
▼ = approx. 120°F (49°C)	○ ○ ● ○ ○ ○	More than 5 minutes
A = approx. 130°F (54°C)	○ ○ ○ ● ○ ○	About 30 seconds
B = approx. 140°F (60°C)	○ ○ ○ ○ ● ○	Less than 5 seconds
C = approx. 150°F (66°C)	○ ○ ○ ○ ○ ●	About 1-1/2 seconds
C-Flashing = approx. 160°F (71°C)	○ ○ ○ ○ ○ ●	About 1/2 seconds



⚠ DANGER: Hotter water increases the potential for Hot Water SCALDS.

Temperature Setting for 75 gallons	Display ▼ B C D E F	Burns on Adult Skin
▼ = approx. 120°F (49°C)	● ○ ○ ○ ○ ○	More than 5 minutes
B = approx. 130°F (54°C)	● ● ○ ○ ○ ○	About 30 seconds
C = approx. 140°F (60°C)	○ ● ○ ○ ○ ○	Less than 5 seconds
D = approx. 150°F (66°C)	○ ○ ● ○ ○ ○	About 1-1/2 seconds
E = approx. 160°F (71°C)	○ ○ ○ ● ○ ○	About 1/2 seconds
F = approx. 170°F (77°C)	○ ○ ○ ○ ● ○	-----
F = approx. 180°F (82°C)	○ ○ ○ ○ ○ ●	-----

IMPORTANT SAFETY INFORMATION. READ ALL INSTRUCTIONS BEFORE USING



! DANGER!

LIQUEFIED PETROLEUM (LP) AND NATURAL GAS MODELS

LP and Natural gas have an odorant added to aid in detecting a gas leak. Some people may not physically be able to smell or recognize this odorant. If you are unsure or unfamiliar with the smell of LP or natural gas, ask the gas supplier. Other conditions, such as “odorant fade”, which causes the odorant to diminish in intensity, can also hide or camouflage a gas leak.

- Water heaters utilizing LP gas are different from natural gas models. A natural gas water heater will not function safely on LP gas and vice versa.
 - No attempt should ever be made to convert the water heater from natural gas to LP gas. To avoid possible equipment damage, personal injury or fire, do not connect the water heater to a fuel type not in accordance with the unit data plate. LP for LP units. Natural gas for natural gas units. These units are not certified for any other fuel type.
 - LP appliances should not be installed below grade (for example, in a basement) if such installation is prohibited by federal, state and/or local laws, rules, regulations or customs.
 - LP gas must be used with great caution. It is heavier than air and will collect first in lower areas making it hard to detect at nose level.
 - Before attempting to light the water heater, make sure to look and smell for gas leaks. Use a soapy solution to check all gas fittings and connections. Bubbling at a connection indicates a leak that must be corrected. When smelling to detect a gas leak, be sure to sniff near the floor also.
 - Gas detectors are recommended in LP & natural gas applications and their installation should be in accordance with the detector manufacturer’s recommendations and/or local laws, rules, regulations or customs.
 - It is recommended that more than one method, such as soapy solution, gas detectors, etc., be used to detect leaks in gas applications.
- ! DANGER:** If a gas leak is present or suspected:
- Do not attempt to find the cause yourself.
 - Do not try to light any appliance.
 - Do not touch any electrical switch.
 - Do not use any phone in your building.
 - Leave the house immediately and make sure your family and pets leave also.
 - Leave the doors open for ventilation and contact the gas supplier, a qualified service agency or the fire department.
 - Stay away from the house (or building) until the service call has been made, the leak is corrected and a qualified agency has determined the area to be safe.

WARNING!

For your safety, the information in this manual must be followed to minimize the risk of fire or explosion, electric shock, or to prevent property damage, personal injury, or loss of life.



FOR INSTALLATIONS IN THE STATE OF CALIFORNIA

California Law requires that residential water heaters must be braced, anchored or strapped to resist falling or horizontal displacement due to earthquake motions. For residential water heaters up to 52-gallon capacity, a brochure with generic earthquake bracing instructions can be obtained from: Office of the State Architect, 1102 Q Street, Suite 5100, Sacramento, CA 95814 or you may call 916-445-8100 or ask a water heater dealer.

However, applicable local codes shall govern installation. For residential water heaters of a capacity greater than 52 gallons, consult the local building jurisdiction for acceptable bracing procedures.



SAFETY PRECAUTIONS

Have the installer show you the location of the gas shut-off valve and how to shut it off if necessary. Turn off the manual shut-off valve if the water heater has been subjected to overheating, fire, flood, physical damage or if the gas supply fails to shut off.

- Read this manual entirely before installing or operating the water heater.
- Use this appliance only for its intended purpose as described in this Use and Care Manual.
- Be sure your appliance is properly installed in accordance with local codes and the provided installation instructions.
- **DO NOT** attempt to repair or replace any part of your water heater unless it is specifically recommended in this manual. All other servicing should be referred to a qualified technician.



READ AND FOLLOW THIS SAFETY INFORMATION CAREFULLY.

SAVE THESE INSTRUCTIONS

IMPORTANT

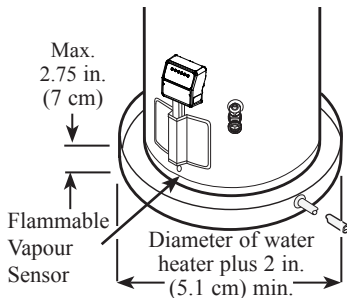
Carefully inspect the water heater for damage before proceeding with the installation. Of specific interest should be any dents in the long blue cover panel for the combustion air-inlet, PVC pipe; or damages to the blower and the combustion air-inlet, PVC pipe assembly. If you find damage,

DO NOT install or attempt any repair to the water heater. Contact the manufacturer as detailed under "IF YOU NEED SERVICE" on page 48.

Installing the Water Heater

This water heater must be installed in accordance with these instructions, local codes, utility company requirements, and/or in the absence of local codes, for US installations, use the latest edition of the American National Standard/National Fuel Gas Code. A copy can be purchased from either the American Gas Association, 400 N. Capitol Street NW, Washington, DC 20001 as ANSI standard Z223.1 or National Fire Protection Association, 1 Batterymarch Park, Quincy, MA 02269 as booklet NFPA 54. For Canadian installations, use the latest edition of CAN/CSA B149 – Natural Gas and Propane Installation Code. A copy can be purchased from the Canadian Standards Association, 5060 Spectrum Way, Mississauga, Ontario L4W5N6.

Location



The auxiliary catch pan installation MUST conform to local codes, if applicable.

NOTICE: DO NOT allow the catch pan to obstruct the flammable vapour sensor.

NOTICE: DO NOT allow the flammable vapour sensor to become submerged in water. Make sure the catch pan is properly drained.

▲ WARNING: Combustible construction refers to adjacent walls and ceilings and should not be confused with combustible or flammable products and materials. Combustible and/or flammable products and materials should never be stored in the vicinity of this or any gas appliance.

The water heater should not be located in an area where leakage from the tank or connections will result in damage to the area adjacent to the heater or to lower floors of the structure.

When such areas cannot be avoided it is recommended that a suitable catch pan, adequately drained, must be installed under the water heater.

The water heater must be centered in the catch pan.

Catch pan kits are available from the store where the water heater was purchased, or any water heater distributor.

Make certain the floor underneath the water heater is strong enough to sufficiently support the weight of the water heater once it is filled with water.

This gas fired water heater or any other appliance should not be installed in a space where liquids which give off flammable vapours are to be used or stored. Such liquids include gasoline, LP gas (butane or propane), paint or adhesives, thinners, solvents and/or combustible removers.

DO NOT obstruct or block the Flammable Vapour Sensor.

Because of natural air movement in a room or other enclosed space, flammable vapours can be carried some distance from where liquids which give off flammable vapours are to be used or stored. The open flame of the water heater's main burner can ignite these vapours creating a shut down condition which will not allow the water heater to ignite.

FVIR certified gas water heaters can be installed on a residential garage floor without the use of an 18 in. (46 cm) stand in accordance with the National Fuel Gas Code, NFPA 54, ANSI Z223.1, for US installations and in accordance with the CAN/CSA B149.1 - Natural Gas and Propane Installation Code for Canadian installations, unless otherwise directed by Province,

State and Local code requirements. The water heater must be located so it is not subject to physical damage, for example, by moving vehicles, area flooding, etc.

- We recommend this water heater be installed in locations where the ambient temperatures do not exceed 100°F (38°C).

IMPORTANT: Do not install the water heater in a location where it may be subjected to ambient temperatures exceeding 125°F (52°C).

- The water heater should be installed so as to minimize the length of plastic vent and combustion air-inlet pipe and the number of vent connection fittings required.
- See Vent and Combustion Air-Inlet Section for vent system requirements.
- Hot water lines should be insulated to conserve water and energy.
- Protect the water heater and water lines from exposure to freezing temperatures.
- **DO NOT** install this water heater outdoors.
- Minimum clearances from combustible construction:

Front*	Sides	Rear	Top**
5 in. (12.7 cm)	0 in. (0 cm)	0 in. (0 cm)	12 in. (30.5 cm)

- * "Front" Clearance dimension is measured from the water heater jacket to the closet door.
- **"Top" clearance dimension is measured from the jacket top of the water heater to the ceiling.

- If the water heater is to be installed directly on carpeting, the water heater shall be installed on a metal or wood panel extending beyond the full width and depth of the water heater by at least 3 in. (7.6 cm) in all directions or, if the water heater is to be installed in an alcove or closet, the entire floor must be covered by a wood or metal panel.

NOTICE: The water heater must not be installed near an air supply containing halogenated hydrocarbons.

Corrosive Atmospheres

The air in beauty shops, dry cleaning establishments, photo processing labs, and storage areas for liquid and powdered bleaches or swimming pool chemicals often contain halogenated hydrocarbons.

An air supply containing halogenated hydrocarbons may be safe to breathe, but when it passes through a gas flame corrosive elements are released that

will shorten the life of any gas burning appliance.

Propellants from common spray cans or gas leaks from A/C and refrigeration equipment are highly corrosive after passing through a flame.

The water heater warranty is voided when failure of the heater is due to operation in a corrosive atmosphere.

Thermal Expansion

Determine if a check valve exists in the inlet water line. Check with your local water utility company. It may have been installed in the cold water line as a separate back flow preventer, or it may be part of a pressure reducing valve, water meter or water softener. A check valve located in the cold water inlet line can cause what is referred to as a “**closed water system**”. A cold water inlet line with no check valve or back flow prevention device is referred to as an “**open**” water system.

As water is heated, it expands in volume and creates an increase in the pressure within the water system. This action is referred to as “**thermal expansion**”. In an “**open**” water system, expanding water which exceeds the capacity of the water heater flows back into the city main where the pressure is easily dissipated.

A “**closed water system**”, however, prevents the expanding water from flowing back into the main supply line, and the result of “**thermal expansion**” can create a rapid and dangerous pressure increase in the water heater and system piping. This

rapid pressure increase can quickly reach the safety setting of the relief valve, causing it to operate during each heating cycle. Thermal expansion, and the resulting rapid, and repeated expansion and contraction of components in the water heater and piping system can cause premature failure of the relief valve, and possibly the heater itself. Replacing the relief valve will not correct the problem!

The suggested method of controlling thermal expansion is to install an expansion tank in the cold water line between the water heater and the check valve (see "Typical Installation" on page 10). The expansion tank is designed with an air cushion built in that compresses as the system pressure increases, thereby relieving the over pressure condition and eliminating the repeated operation of the relief valve. Other methods of controlling thermal expansion are also available. Contact your installing contractor, water supplier or plumbing inspector for additional information regarding this subject.

IMPORTANT: Do not apply heat to the HOT or COLD water connections. If sweat connections are used, sweat tubing to adapter before fitting adapter to the cold water connections on heater. Any heat applied to the cold water supply fittings will permanently damage the dip tube and heat traps.

Water Supply Connections

Refer to the illustration on the next page for suggested typical installation. The installation of unions or flexible copper connectors are recommended on the hot and cold water connections so that the water heater may be easily disconnected

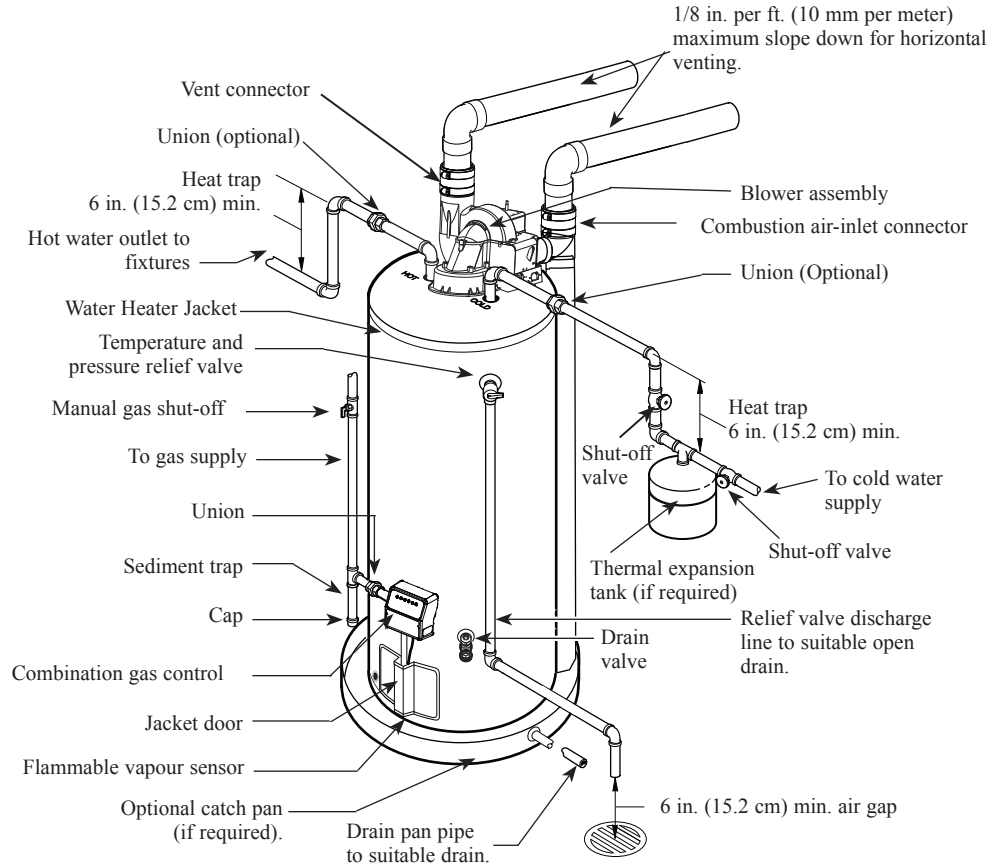
for servicing if necessary. The HOT and COLD water connections are clearly marked on the water heater. Install a shut-off valve in the cold water line near the water heater.

Installing the Water Heater

Typical Installation

NOTICE: The National Fuel Gas Code (NFGC) mandates a manual gas shut-off valve: See (NFGC) for complete instructions. Local codes or plumbing authority requirements may vary from the instructions or diagrams provided and take precedent over these instructions.

NOTICE: The Canadian Standards Association mandates a manual gas shut-off valve: See the CAN/CSA B149.1 Natural Gas and Propane Installation Code for complete instructions.



A new combination temperature and pressure relief valve, complying with the Standard for Relief Valves and Automatic Gas Shut-Off Devices for Hot Water Supply Systems, ANSI Z21.22 /CSA 4.4, is factory installed and must remain in the opening provided and marked for the purpose on the water heater. No valve of any type should be installed between the relief valve and the tank.

Relief Valve

The pressure rating of the relief valve must not exceed 150 psi (1,034 kPa), the maximum working pressure of the water heater as marked on the rating plate.

The Btuh rating of the relief valve must equal or exceed the Btuh input of the water heater as marked on its rating plate.

Position the outlet of the relief valve above a suitable open drain to eliminate potential water damage. Piping used should be of a type approved for hot water distribution.

The discharge line must be no smaller than the outlet of the valve and must pitch downward from the valve to allow complete drainage (by gravity) of the relief valve and discharge line.

The end of the discharge line should not be threaded or concealed and should be protected from freezing. No valve of any type, restriction, or reducer coupling must be installed in the discharge line.

▲ WARNING: The tank must be full of water before the water heater is turned on. The water heater warranty does not cover damage or failure resulting from operation with an empty or partially empty tank.

To Fill the Water Heater

Make certain that the drain valve is closed, then open the shut-off valve in the cold water supply line.

Open each hot water faucet slowly to allow the air to vent from the water heater and piping.

A steady flow of water from all hot water faucet(s) indicates a full water heater.

Do not allow the flammable vapour sensor to become submerged in water.

Condensation

Condensation can form on the tank when it is first filled with water. Condensation might also occur with a heavy water draw and very cold inlet water temperatures.

Drops of water falling on the burner can produce a sizzling or pinging sound.

This condition is not unusual, and will disappear after the water becomes heated. If, however, the condensation continues, examine the piping and fittings for possible leaks.

▲ WARNING: Do not attempt to convert this water heater for use with a different type of gas other than the type shown on the rating plate. Such conversion could result in hazardous operating conditions.

Gas Supply

The branch gas supply line to the water heater should be clean properly sized steel pipe or other approved gas piping material.

A union or ANSI design certified semi-rigid or flexible gas appliance connector shall be installed in the gas line close to the water heater. For US, The National Fuel Gas Code (NFGC) mandates a manual gas shut-off valve: See (NFGC) for complete instructions. For Canada, The Canadian Standards Association mandates a manual gas shut off valve: See the CAN/CSA B149.1 Natural Gas and Propane Installation Code for complete instructions.

Compound used on the threaded joints of the gas piping must be of the type resistant to the action of LP gas. Use compound sparingly on male threads only.

Where a sediment trap is not incorporated as part of the appliance, a sediment trap shall be installed downstream of the equipment shutoff valve as close to the inlet of the appliance as practical at the time of the appliance installation.

The sediment trap shall be either a tee fitting with a capped nipple in the bottom outlet or other device recognized as an effective sediment trap.

Do not use excessive force over 31.5 ft. lbs. (42.7 N m) in tightening the pipe joint at the combination gas control inlet, particularly if teflon pipe compound is used, as the valve body may be damaged.

The inlet gas pressure to the water heater must not exceed 14.0 in. w.c. (3.5 kPa) w.c. for natural gas, or 14.0 in. w.c. (3.5 kPa) w.c. for LP gas. For purposes of input adjustment, the minimum inlet gas pressure (with main burner on) is shown on the water heater rating plate. If high or low gas pressures are present, contact your gas supplier for correction.

Installing the Water Heater

▲WARNING: Never use an open flame to test for gas leaks, as property damage, personal injury, or death could result.

Leak Testing

The water heater and its gas connections must be leak tested at normal operating pressures before it is placed in operation.

- 1 Turn on the manual gas shut-off valve near the water heater.
- 2 Use a soapy water solution to test for leaks at all connections and fittings.

Bubbles indicate a gas leak that must be corrected.

The factory connections to the combination gas control should also be leak tested after the water heater is placed in operation.

Pressure Testing the Gas Supply System

The water heater and its individual shut-off valve must be disconnected from the gas supply piping system during any pressure testing of that system at test pressures in excess 1/2 psi (3.5 kPa).

The water heater must be isolated from the gas supply piping system by closing its individual manual gas shutoff valve during any pressure testing of the gas supply at test pressures equal to or less than 1/2 psi (3.5 kPa).

▲WARNING: Failure to install a water heater suitable for the altitude at the location it is intended to serve, can result in improper operation of the appliance resulting in property damage and/or producing carbon monoxide gas, which could result in personal injury, or death.

High Altitude

Input rating of this water heater is based on sea level operation. At higher elevations the actual input rate may be lower than the value listed on the rating label due to the derating of Natural Gas and LP Gas. For Power Direct Vent models listed in the venting tables that do not show venting

configurations above 7,700 ft. (2,347 m), contact the water heater manufacturer for a required High Altitude Kit that will allow the specific water heater model to operate at altitudes between 7,700 ft. (2,347 m) and 10,200 ft. (3,109 m).

Vent and Combustion Air-Inlet - US Only

This water heater is a direct vent appliance and must be installed so that all air for combustion is derived directly from the outside atmosphere and all flue gases are discharged to the outside atmosphere. For proper installation of the vent and combustion air-inlet systems, follow the instructions as detailed in this manual. **DO NOT** connect this water heater to an existing vent or chimney - it must be vented separately from all other appliances.

NOTICE: This water heater is approved to use the following materials for pipe of the vent and combustion air-inlet systems:

PVC (Schedule 40, Cellular Core, ASTM-F891)
PVC (DWV, ASTM-D2665 or CSA B181.2)
PVC (Schedule 40, ASTM-D1785 or CSA B137.3)

PVC (SDR Series, ASTM-D2241 or CSA B137.3)

CPVC (CPVC 4120, ASTM-D2846 or CSA B137.6)

CPVC (Schedule 40, ASTM-F441 or CSA B137.3)

CPVC (SDR Series, ASTM-F442)

ABS (Schedule 40, DWV, ASTM-D2661 or CSA B181.1)

ABS (Schedule 40, DWV, Cellular Core, ASTM-F628)

This water heater is approved to use the following materials for the fittings of the vent and combustion air-intake systems:

PVC (Schedule 40 DWV, ASTM D2665)

CPVC (Schedule 40, ASTM F438)

ABS (Schedule 40 DWV, ASTM D2661)

DO NOT mix ABS pipe and fittings with PVC or CPVC pipe fittings. Note: It is acceptable to interchange PVC and CPVC pipe and fittings.

Vent and Combustion Air-Inlet - US Only . . .

⚠ DANGER: Failure to properly install the vent and combustion air-inlet systems as outlined in the Vent and Combustion Air-Inlet section of this manual will result in unsafe operation of the water heater causing bodily injury, explosion, fire or death.

To avoid the risk of fire, explosion, or asphyxiation from carbon monoxide, NEVER operate the water heater unless it is properly vented and the vent and combustion air-inlet systems are properly installed as detailed in the "Vent and Combustion Air-Inlet" section of this manual.

NOTICE: This unit is equipped with a Flammable Vapour Sensor. Do not supply electrical power to the water heater until enough time has passed to allow the vapours from the primer and cement to dissipate.

NOTE: This water heater may be installed in attics provided ambient temperatures do not exceed 125°F (52°C) and CPVC or ABS pipe and fittings are used for the entire vent system.

Vent and combustion air-inlet systems must be adequately supported along both vertical and horizontal lengths.

The vent and combustion air-inlet systems of this water heater may be installed horizontally through a wall or vertically through the roof.

Maximum unsupported length is recommended to be no more than 4 ft. (1.22 m).

It is imperative that the first hanger be located on the horizontal length immediately adjacent to the first 90-degree elbow from the vertical rise of vent pipe connected to the water heater.

The support method used should isolate the vent and combustion air-inlet pipes from floor joists or other structural members to help prevent the transmission of noise and vibration.

Do not support, pin or otherwise secure the vent and combustion air-inlet systems in a way that restricts the normal thermal expansion and contraction of the chosen venting material.

If the water heater is being installed as a replacement for an existing power direct vent water heater, a thorough inspection of the existing vent and combustion air-inlet systems must be performed prior to any installation work.

- 1** Verify that the correct materials as specified in this manual have been used, and that the minimum or maximum vent and combustion air-inlet lengths and terminal locations as detailed in this manual have been met.
- 2** Carefully inspect the entire vent and combustion air-inlet systems for any signs of cracks or fractures, particularly at the joints between elbows or other fittings and the straight length of vent pipe.
- 3** Check the vent and combustion air-inlet for signs of sagging or other stresses in the joints as a result of misalignment of any components in the systems.
- 4** If any of the conditions above are found, they must be corrected in accordance with the instructions in this manual before completing the installation and putting the water heater into service.

	Ambient Installation Temperatures and Vent System Material Specifications			
	Up to 100°F (38°C)		100°F (38°C) to 125°F (52°C)	
Models	0 to 10 ft. (0 to 3 m) Equivalent Vent System Length	10 ft. to Max. (3 m to Max.) Equivalent Vent System Length	0 to 10 ft. (0 to 3 m) Equivalent Vent System Length	10 ft. to Max. (3 m to Max.) Equivalent Vent System Length
65 Gallon, 65,000 & 56,000 Btu/hr. Models	PVC, CPVC, or ABS		CPVC or ABS	PVC, CPVC, or ABS
50 Gallon, 65,000 & 47,000 Btu/hr. Models	CPVC or ABS	PVC, CPVC, or ABS		
75 Gallon, 75,100 & 70,000 Btu/hr. Models				

NOTICE: This water heater may be installed in attics provided ambient temperatures do not exceed 125°F (52°C) and CPVC or ABS pipe and fittings are used for the entire vent system.

Vent and Combustion Air-Inlet - Canada Only

This water heater is a direct vent appliance and must be installed so that all the air for combustion is derived directly from the outside atmosphere and all the flue gases are discharged to the outside atmosphere. For proper installation of the vent and

combustion air-inlet systems, follow the instructions as detailed in this manual and those per the current edition of the CAN/CSA - B149.1 Natural Gas and Propane Installation Code.

Installing the Water Heater

NOTICE: The combustion air-inlet system pipe and fittings are not required to be certified to ULC-S636.

DO NOT connect this water heater to an existing vent or chimney- it must be vented separately from all other appliances.

This water heater must be vented to the outdoors with a venting system that is certified to the Underwriter’s Laboratories of Canada Standard, ULC-S636 (Current Edition). The vent system must be installed in accordance with the vent system manufacturer’s installation instructions.

The first 3 ft. (90 cm) from the appliance flue outlet must be readily accessible for visible

NOTICE: This unit must be vented using only 3 in. (7.6 cm) or 4 in. (10.2 cm) diameter PVC or CPVC pipe and fittings that are certified to ULC-S636, refer to pages 15 through 26 for approved sizes by water heater model.

Vent and combustion air-inlet systems must be adequately supported along both vertical and horizontal lengths.

The vent and combustion air-inlet systems of this water heater may be installed horizontally through a wall or vertically through the roof.

Maximum unsupported length is recommended to be no more than 4 ft. (1.22 m).

NOTICE: It is imperative that the first hanger be located on the horizontal length immediately adjacent to the first 90-degree elbow from the vertical rise of vent pipe connected to the water heater.

The support method used should isolate the vent and combustion air-inlet pipes from floor

joists or other structural members to help prevent the transmission of noise and vibration.

Do not support, pin or otherwise secure the vent and combustion air-inlet systems in a way that restricts the normal thermal expansion and contraction of the chosen venting material.

If the water heater is being installed as a replacement for an existing power direct vent water heater, a thorough inspection of the existing vent and combustion air-inlet systems must be performed prior to any installation work. The existing vent must be code compliant.

- 1** Verify that the correct materials as specified in this manual have been used, and that the minimum or maximum vent and combustion air-inlet lengths and terminal locations as detailed in this manual have been met.
- 2** Carefully inspect the entire vent and combustion air-inlet systems for any signs of cracks or fractures, particularly at the joints between elbows or other fittings and the straight length of vent pipe.
- 3** Check the vent and combustion air-inlet for signs of sagging or other stresses in the joints as a result of misalignment of any components in the systems.
- 4** If any of the conditions above are found, they must be corrected in accordance with the instructions in this manual before completing the installation and putting the water heater into service.

	Ambient Installation Temperatures and Vent System Material Specifications			
	Up to 100°F (38°C)		100°F (38°C) to 125°F (52°C)	
Models	0 to 10 ft. (0 to 3 m) Equivalent Vent System Length	10 ft. to Max. (0 m to Max.) Equivalent Vent System Length	0 to 10 ft. (0 to 3 m) Equivalent Vent System Length	10 ft. to Max. (0 m to Max.) Equivalent Vent System Length
65 Gallon, 65,000 & 56,000 Btu/hr. Models	PVC or CPVC		CPVC	PVC or CPVC
50 Gallon, 65,000 & 47,000 Btu/hr. Models,	CPVC	PVC, or CPVC		
75 Gallon, 75,100 & 70,000 Btu/hr. Models				

NOTICE: This water heater may be installed in attics provided ambient temperatures do not exceed 125°F (52°C) and CPVC pipe and fittings that are certified to ULC-S636 are used for the entire vent system.

Maximum and Minimum Vent and Combustion Air-Inlet Lengths For Power Direct Vent Models:

50 Gallon With Inputs of 65,000 & 47,000 Btu/h

65 Gallon With Inputs of 65,000 & 56,000 Btu/h

75 Gallon With Inputs of 75,100 & 70,000 Btu/h

Read these instructions thoroughly and make sure you understand all steps and procedures before proceeding with the installation.

1. Connect the vent system piping to the blower assembly using the already installed 3 in. (7.6 cm) diameter rubber coupling and clamps.
2. Connect the combustion air-inlet system piping to the combustion air-inlet piping tee using the 3 in. (7.6 cm) already installed rubber coupling and clamps (See Figure 1).
3. For vent and combustion air-inlet terminals, use the two (2), 3 in. (7.6 cm) diameter, Schedule 40, PVC, 90°, 1/4 standard bend elbows supplied with the water heater.

This water heater may also be installed with 4 in. (10.2 cm) diameter pipe and fittings for the vent and combustion air-inlet systems

To connect the vent system piping,

- Install a straight length of 3 in. (7.6 cm) diameter pipe to the rubber coupling on the blower assembly,
- Followed by a 3 in. (7.6 cm) to 4 in. (10.2 cm) diameter pipe increaser fitting (See Figure 2).

To connect the combustion air-inlet system piping,

- Install a straight length of 3 in. (7.6 cm) diameter pipe to the combustion air-inlet piping tee coupling,
- Followed by a 3 in. (7.6 cm) to 4 in. (10.2 cm) diameter pipe increaser fitting (See Figure 2).

For vent and combustion air-inlet terminals,

- Use 3 in. (7.6 cm) diameter, Schedule 40, PVC, 90°, 1/4 standard bend elbows (not supplied).

DO NOT use unequal diameters of pipe and fittings for the vent and combustion air-inlet systems except as defined previously.

NOTICE: The difference between the vent and combustion air-inlet system equivalent lengths must be no greater than 5 ft. (1.5 m).

IMPORTANT: Ensure that all the coupling clamps are tight before allowing the water heater to operate.

When using ABS (US only) or CPVC pipe and fittings, use 90° elbows of the corresponding size and material for the vent terminal and combustion air-inlet terminals.

The vent and combustion air-inlet terminals of the water heater must be installed in the same atmospheric pressure zone.

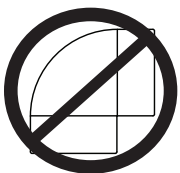
The minimum and maximum equivalent lengths for the vent and combustion air-inlet systems are shown in Table 1.

- **Maintain a minimum vertical height of 1 ft. (30.5 cm) of pipe, including pipe increasers (if used), from the blower exhaust coupling before transitioning into any elbow.**
- **The vent and combustion air-inlet terminations are not included in the equivalency calculations.**

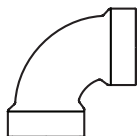
NOTICE: A 90°, 1/4 standard bend or long bend elbow is equivalent to 5 ft. (1.52 m) of straight pipe. A 45°, 1/8 standard bend or long bend elbow is equivalent to 2.5 ft. (0.76 m) of straight pipe.

DO NOT use short bend elbows. Use only standard and/or long bend elbows. See examples.

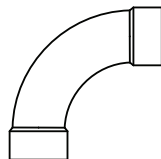
Elbow Examples



Short Bend 90° Elbow
Do Not Use



Standard Bend 90° Elbow
OK to Use



Long Bend 90° Elbow
OK to Use

Installing the Water Heater

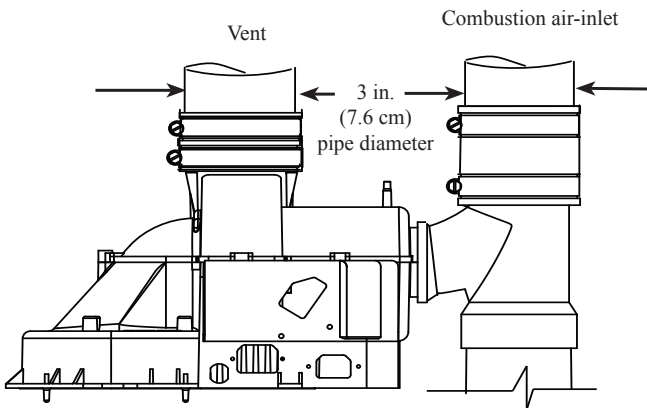


Figure 1

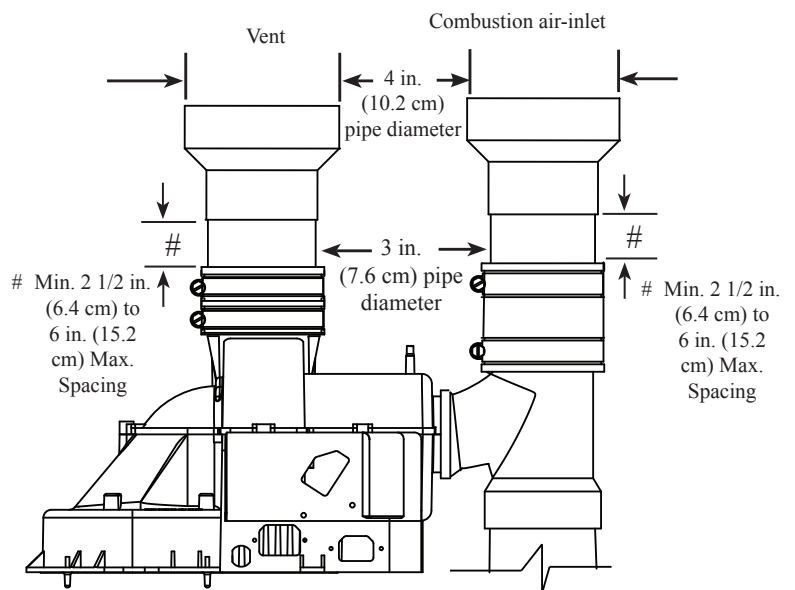


Figure 2

Table 1 (US & Canada)

From Sea Level through 2,000 ft. (609 m) Above Sea Level

Model	Vent & Combustion Air-Inlet System Diameter	Min. Allowed Equivalent Vent & Combustion Air-Inlet Lengths (Each Pipe Run)		Max. Allowed Equivalent Vent & Combustion Air-Inlet Lengths (Each Pipe Run)		Vent and Combustion Air-Inlet System Termination(s)	
	Inches	Feet	Meters	Feet	Meters		
50 Gallon, 65,000 & 47,000 Btu/hr.	3	7	2	50	15	90° Elbows	
	3	7	2	40	12		Concentric*
	4	7	2	100	30	90° Elbows	
65 Gallon, 65,000 & 56,000 Btu/hr.	3	8	2.5	50	15	90° Elbows	
	3	8	2.5	40	12		Concentric*
	4	8	2.5	100	30	90° Elbows	
75 Gallon, 75,100 & 70,000 Btu/hr.	3	8	2.5	50	15	90° Elbows	
	3	8	2.5	40	12		Concentric*
	4	8	2.5	100	30	90° Elbows	

*Use only Rheem 3 in. (7.6 cm) concentric termination.

Table 1 continued

From 2,000 ft. (609 m) Above Sea Level through 5,999 ft. (1,828 m) Above Sea Level

Model	Vent & Combustion Air-Inlet System Diameter	Min. Allowed Equivalent Vent & Combustion Air-Inlet Lengths (Each Pipe Run)		Max. Allowed Equivalent Vent & Combustion Air-Inlet Lengths (Each Pipe Run)		Vent and Combustion Air-Inlet System Termination(s)	
	Inches	Feet	Meters	Feet	Meters		
50 Gallon, 65,000 & 47,000 Btu/hr.	3	7	2	50	15	90° Elbows	
	3	7	2	40	12		Concentric*
	4	7	2	100	30	90° Elbows	
65 Gallon, 65,000 & 56,000 Btu/hr.	3	8	2.5	40	12	90° Elbows	
	3	8	2.5	30	9		Concentric*
	4	8	2.5	100	30	90° Elbows	
75 Gallon, 75,100 & 70,000 Btu/hr.	3	8	2.5	25	8	90° Elbows	
	3	8	2.5	20	6		Concentric*
	4	8	2.5	100	30	90° Elbows	

From 6,000 ft. (1,829 m) Above Sea Level through 7,700 ft. (2,347 m) Above Sea Level

Model	Vent & Combustion Air-Inlet System Diameter	Min. Allowed Equivalent Vent & Combustion Air-Inlet Lengths (Each Pipe Run)		Max. Allowed Equivalent Vent & Combustion Air-Inlet Lengths (Each Pipe Run)		Vent and Combustion Air-Inlet System Termination(s)	
	Inches	Feet	Meters	Feet	Meters		
50 Gallon. 65,000 & 47,00 Btu/hr.	3	7	2	50	15	90° Elbow	
	3	7	2	40	12		Concentric*
	4	7	2	100	30	90° Elbow	
65 gallon, 65,000 Btu/hr.	4	8	2.5	50	15	90° Elbow	
75 Gallon, 75,100 Btu/hr.	4	8	2.5	50	15	90° Elbow	

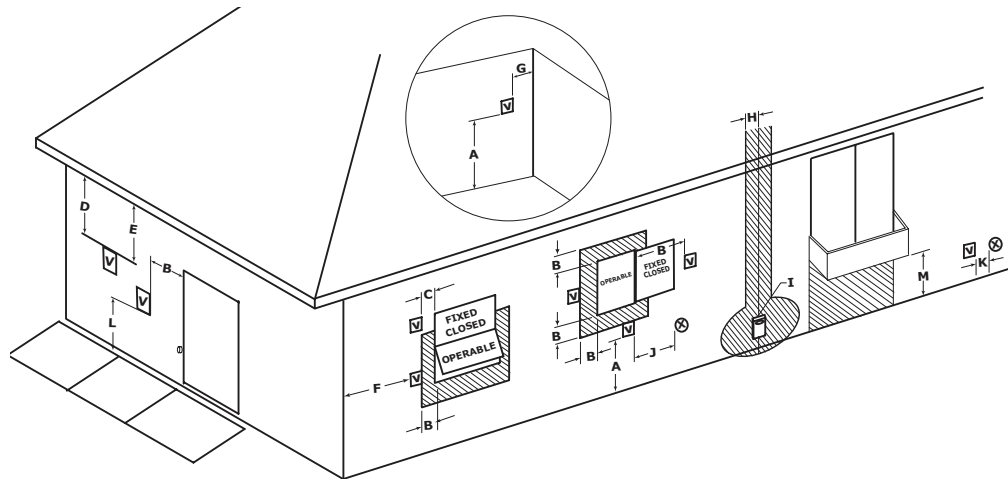
From 7,701 ft. (2,347 m) Above Sea Level through 10,200 ft. (3,109 m) Above Sea Level

Model	Vent & Combustion Air-Inlet System Diameter	Min. Allowed Equivalent Vent & Combustion Air-Inlet Lengths (Each Pipe Run)		Max. Allowed Equivalent Vent & Combustion Air-Inlet Lengths (Each Pipe Run)		Vent and Combustion Air-Inlet System Termination(s)	
	Inches	Feet	Meters	Feet	Meters		
50 Gallon, 65,000 & 47,000 Btu/hr.	3	7	2	25	8	90° Elbow	
	3	7	2	20	6		Concentric*
	4	7	2	100	30	90° Elbow	

*Use only Rheem 3 in. (7.6 cm) concentric termination.

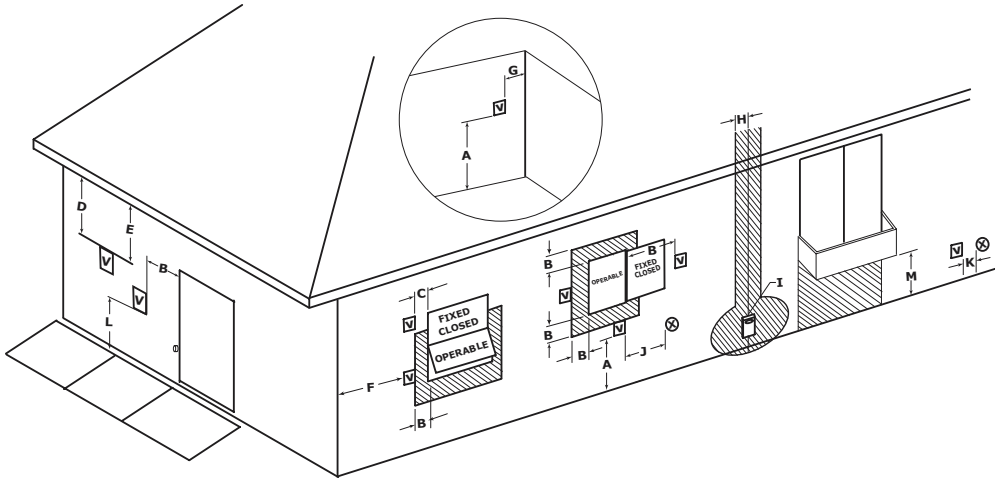
Installing the Water Heater


Direct Vent Terminal Clearances - US



<input type="checkbox"/> Vent Terminal	<input type="checkbox"/> Air Supply Inlet	<input type="checkbox"/> Area Where Terminal Is Not Permitted
US Installations ¹		
A = Clearance above grade, veranda, porch, deck or balcony	1 ft. (30 cm)	
B = Clearance to window or door that may be opened	6 in. (15 cm) for appliances ≤ 10,000 Btuh (3 kW), 9 in. (23 cm) for appliances > 10,000 Btuh (3kW) and ≤ 50,000 Btuh (15 KW), 1 ft. (30 cm) for appliances > 50,000 Btuh (15 kW)	
C = Clearance to permanently closed window		*
D = Vertical clearance to ventilated soffit located above the terminal within a horizontal distance of 2 ft. (61 cm) from the center line of the terminal		*
E - Clearance to unventilated soffit		*
F - Clearance to outside corner		*
G - Clearance to inside corner		*
H - Clearance to each side of centerline extended above meter/regulator assembly		*
I - Clearance to service regulator vent outlet		*
J - Clearance to nonmechanical air supply inlet to building or the combustion air inlet to any other appliance	6 in. (15 cm) for appliances ≤ 10,000 Btuh (3 kW), 9 in. (23 cm) for appliances > 10,000 Btuh (3kW) and ≤ 50,000 Btuh (15 KW), 1 ft. (30 cm) for appliances > 50,000 Btuh (15 kW)	
K - Clearance to a mechanical air supply inlet	3 ft. (91 cm) above if within 10 ft. (3 m) horizontally	
L - Clearance above paved sidewalk or paved driveway located on public property		*
M - Clearance under veranda, porch, deck, or balcony		*
¹ In accordance with the current ANSI Z223.1/ NFPA 54 National Fuel Gas Code * For clearances not specified in ANSI Z223.1/ NFPA 54 the following statement shall be included: "Clearance in accordance with local installation codes and the requirements of the gas supplier and the manufacturer's installation instructions".		

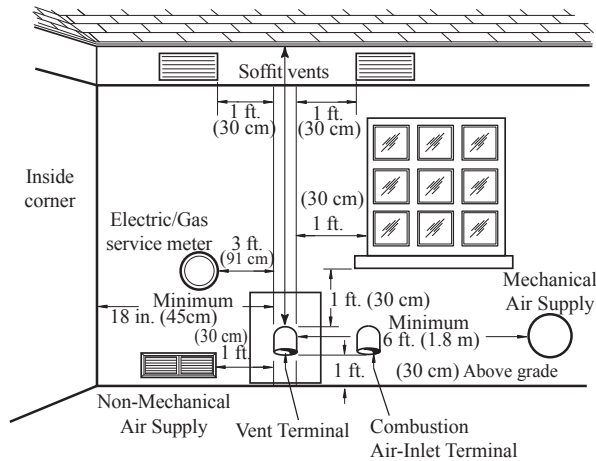
Direct Vent Terminal Clearances- Canada



<input checked="" type="checkbox"/> Vent Terminal	<input checked="" type="checkbox"/> Air Supply Inlet	 Area Where Terminal Is Not Permitted
Canadian Installations ¹		
A = Clearance above grade, veranda, porch, deck or balcony		1 ft. (30 cm)
B = Clearance to window or door that may be opened		1 ft. (30 cm) for appliances > 10,000 Btuh (3 kW)
C = Clearance to permanently closed window		1 ft. (30 cm)
D = Vertical clearance to ventilated soffit located above the terminal		2 ft. (61 cm)
E - Clearance to unventilated soffit		1 ft. (30 cm)
F - Clearance to outside corner		1 ft. (30 cm)
G - Clearance to inside corner		2 ft. (61 cm)
H - Clearance to each side of center line extended above meter/regulator assembly		3 ft. (91 cm) within a height 15 ft. (4.5 m) above the meter/regulator assembly
I - Clearance to service regulator vent outlet		3 ft. (91 cm)
J - Clearance to non mechanical air supply inlet to building or the combustion air inlet to any other appliance		1 ft. (30 cm) for appliances > 10,000 Btuh (3 kW)
K - Clearance to a mechanical air supply inlet		6 ft. (1.83 m)
L - Clearance above paved sidewalk or paved driveway located on public property		7 ft. (2.13 m) *
M - Clearance under veranda, porch, deck, or balcony		1 ft. (30 cm) **
¹ In accordance with the CSA B149.1, Natural Gas and Propane Installation Code * A vent shall not be terminated directly above a sidewalk or paved driveway that is located between two single family dwellings and serves both dwellings. ** Permitted only if veranda, porch, deck, or balcony is fully open on a minimum of two sides beneath the floor. For clearances not specified in CSA B149.1, the following statement shall be included: "Clearance in accordance with local installation codes and the requirements of the gas supplier and the manufacturer's installation instructions."		

Installing the Water Heater

NOTICE: Follow the vent system manufacturer's installation instructions for proper installation of the vent system and combustion air-inlet systems.

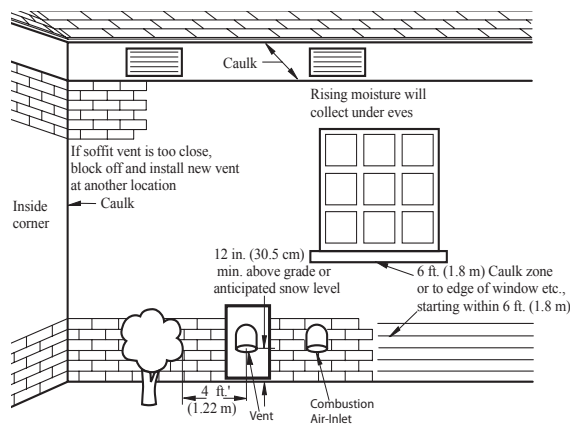


Horizontal Vent Terminal Location

A vent shall not terminate:

- where it may cause hazardous frost or ice accumulations on adjacent property surfaces;
- less than 7 ft. (2.1 m) above a paved sidewalk or a paved driveway that is located on public property;
- within 6 ft. (1.8 m) of a mechanical air-supply inlet to any building;
- above a regulator within 3 ft. (900 mm) horizontally of the vertical centerline of the regulator vent outlet to a maximum vertical distance of 15 ft. (4.5 m);
- except as required by CAN/CSA B149.1 Natural Gas and Propane Installation Code, any distance less than that of any gas pressure regulator vent outlet as detailed;
- less than 1 ft. (300 mm) above average snowfall or grade level, reference CAN/CSA B149.1 Natural Gas and Propane Installation Code;
- within 12 in. (300 mm) of a window or door that can be opened in any building, of any nonmechanical air-supply inlet to any building, or of the combustion air inlet of any other appliance;
- underneath a veranda, porch, or deck unless:
 - the veranda, porch, or deck is fully open on a minimum of two sides beneath the floor; and
 - the distance between the top of the vent termination and the underside of the veranda, porch, or deck is greater than 1 ft. (300 mm).

Additional Considerations



⚠ WARNING: Moisture in the flue gas will condense as it leaves the vent terminal. In cold weather this condensate can freeze on the exterior wall, under the eaves and on surrounding objects. Some discoloration to the exterior of the building is to be expected. However, improper location or installation can result in severe damage to the structure or exterior finish of the building

- 1 To help prevent moisture from freezing on walls and under eaves, do not locate the vent terminal on the side of a building with prevailing winds.
- 2 When terminating the vent and combustion air-inlet pipes through brick or masonry surfaces, the installation of a rust-resistant sheet metal backing plates behind the vent and combustion air-inlet terminals are recommended.
- 3 **DO NOT** locate the vent terminal too close to shrubbery, as flue gasses may damage them.
- 4 Caulk all cracks, seams and joints within 6 ft. (1.83 m) of the vent and combustion air-inlet terminals.
- 5 Insulate vent pipe exposed to cold conditions (attics, crawl spaces, etc.) with inflammable material to help prevent moisture from accumulating in the vent pipe.
- 6 Support horizontal sections of the vent and combustion air-inlet pipe every 4 ft. (1.22 m). **DO NOT** rigidly secure the vent system. Provisions must be made to allow for expansion and contraction of the vent system.
- 7 **DO NOT** install the vent and combustion air-inlet terminals less than 1 ft. (30 cm) above grade or average snowfall whichever is greater.
- 8 Permanently seal annular openings around the vent and combustion air-inlet system penetrations using approved materials to prevent entry of combustion products into the building.

Horizontal Vent and Combustion Air-Inlet Terminal Installation

Read these instructions thoroughly and make sure you understand all steps and procedures before proceeding with the installation.

Determine the locations for the vent and combustion air-inlet terminals then make two (2) holes through the exterior wall to accommodate the vent and combustion air-inlet pipes.

- Maintain a minimum distance of 12 in. (30.5 cm) between the vent and combustion air-inlet terminal centerlines.

Insert lengths of vent and combustion air-inlet pipes through the wall as shown.

- Allow sufficient length of pipe to extend beyond the exterior wall of the building for attachment of the vent and combustion air-inlet terminals.

Place the supplied 1/2 in. (1.3 cm) mesh metal screens inside each terminal fitting.

Note: For cold climates the screens may be removed.

Connect the terminals to the vent and combustion air-inlet pipes which are extending out of the building.

- Ensure that the back of the supplied terminals are flush with the outside wall surface.

Complete the installation of the remainder of the vent system and attach it to the vent connector fitting on the water heater's blower assembly.

- **Horizontal lengths of the vent system must slope downward a minimum of 1/8 in. per foot (10 mm per m).**

IMPORTANT: When the vent system cannot be sloped away from the water heater or, if the vent system has vertical section(s), then all horizontal sections must slope upwards a minimum of 1/8 in. per foot (10 mm per m);

DO NOT use unequal diameters of pipe and fittings for the vent and combustion air-inlet systems except as defined previously

NOTICE: The difference between the vent and combustion air-inlet system equivalent lengths must be no greater than 5 ft. (1.5 m).

Complete the installation of the remainder of the combustion air-inlet system and attach it to the combustion air-inlet connector fitting on the water heater's combustion air-inlet tube assembly.

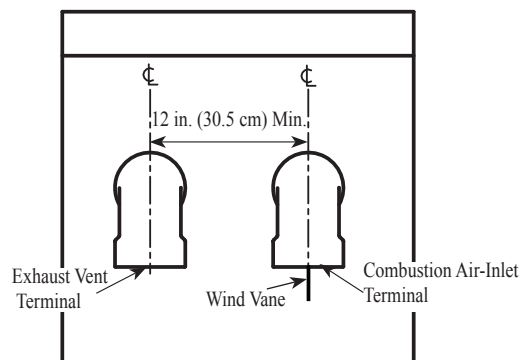
Support vertical and horizontal lengths of the vent and combustion air-inlet systems as previously mentioned.

For 75 Gallon Power Direct Vent Models ONLY:

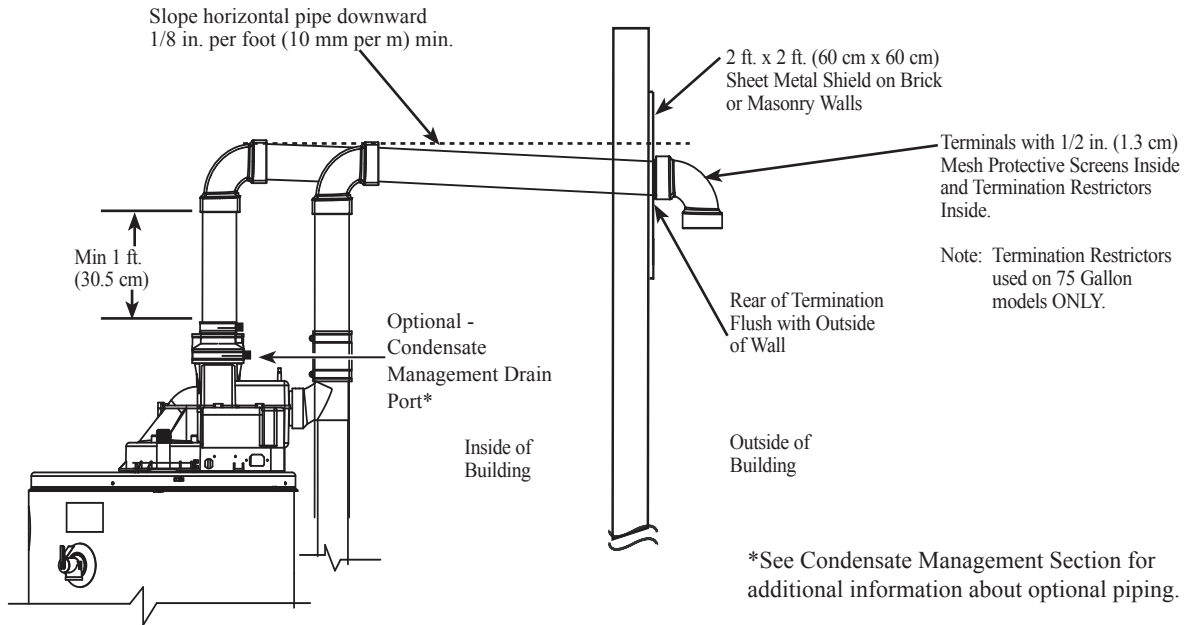
These water heater models are supplied with two (2) vent and combustion air-inlet termination restrictors. These restrictors help the water heater achieve peak efficiency when the water heater is installed using 3 in. (7.6 cm) diameter pipe at the minimum equivalent vent and combustion air-inlet lengths of 8 ft. (2m).

IMPORTANT: Do not install the termination restrictors in equivalent vent and/or combustion air-inlet lengths longer than 8 ft. (2 m) or on any other Power Direct Vent model.

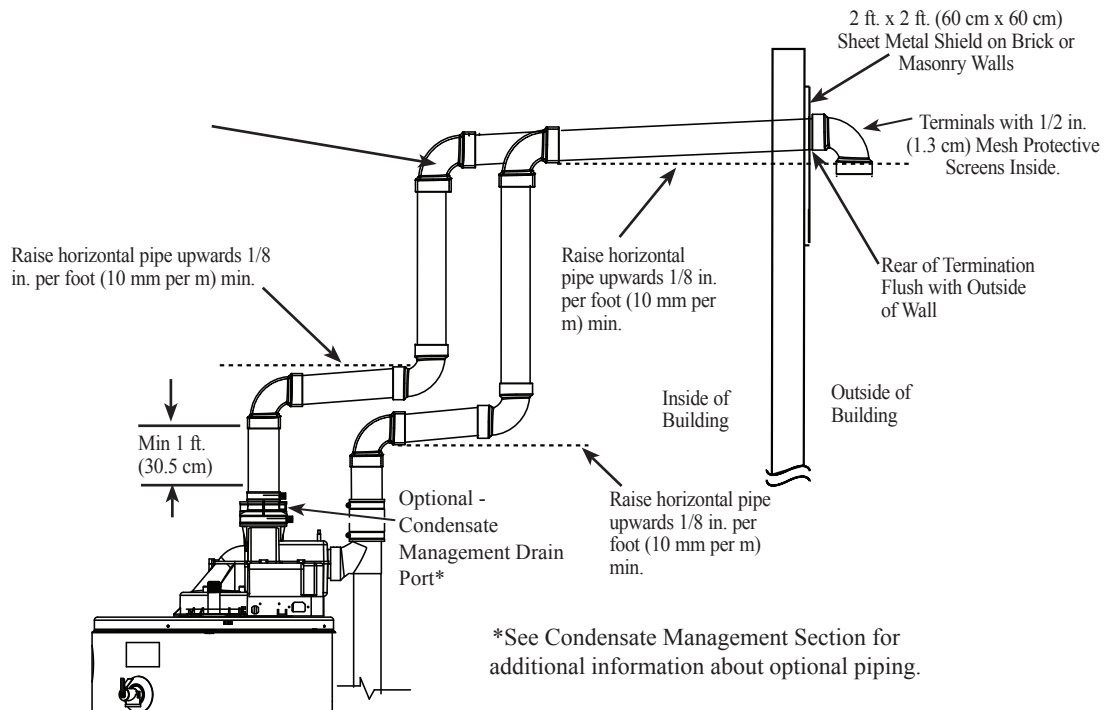
NOTICE: Termination Restrictors supplied for use with 75 Gallon models ONLY.



Installing the Water Heater



Horizontal Vent and Combustion Air-Inlet Terminal Installation



Alternate Horizontal Vent and Combustion Air-Inlet Terminal Installation

Horizontal Vent and Combustion Air-Inlet Alternate Vent Riser Terminal Installation

(40, 50, & 65 Gallon Models ONLY)

Read these instructions thoroughly and make sure you understand all steps and procedures before proceeding with the installation.

Determine the locations for the vent and combustion air-inlet terminals then make two (2) holes through the exterior wall to accommodate the vent and combustion air-inlet pipes.

- Maintain a minimum horizontal distance of 12 in. (30.5 cm) between the vent and combustion air-inlet terminal centerlines.
- Maintain a minimum distance from the vent and combustion air-inlet terminals of not less than 1 ft. (30.5 cm) above grade or average snowfall whichever is greater.

Insert lengths of vent and combustion air-inlet pipes through the wall as shown.

- Allow sufficient length of pipe to extend beyond the exterior wall of the building for attachment of the vent riser assemblies as shown.

Place the supplied 1/2 in. (1.3 cm) mesh metal screens inside each terminal fitting.

NOTICE: For cold climates the screens may be removed.

Connect the vent riser assemblies to the vent and combustion air-inlet pipes which are extending out of the building.

- Ensure that the back of the 90° elbows are flush with the outside wall surface and that the vent and combustion air-inlet terminations of the vent risers are parallel with the outside wall.

IMPORTANT: Remember to include the additional 90° elbows and vertical height of vent and combustion air-inlet pipes of the vent riser when calculating the maximum equivalent vent and combustion air-inlet system lengths. The maximum equivalent vent and combustion air-inlet system lengths must be as specified by Table 1 or 2.

- The vent and combustion air-inlet terminations are not included in the equivalency calculations.

Complete the installation of the remainder of the vent system and attach it to the vent connector fitting on the water heater's blower assembly.

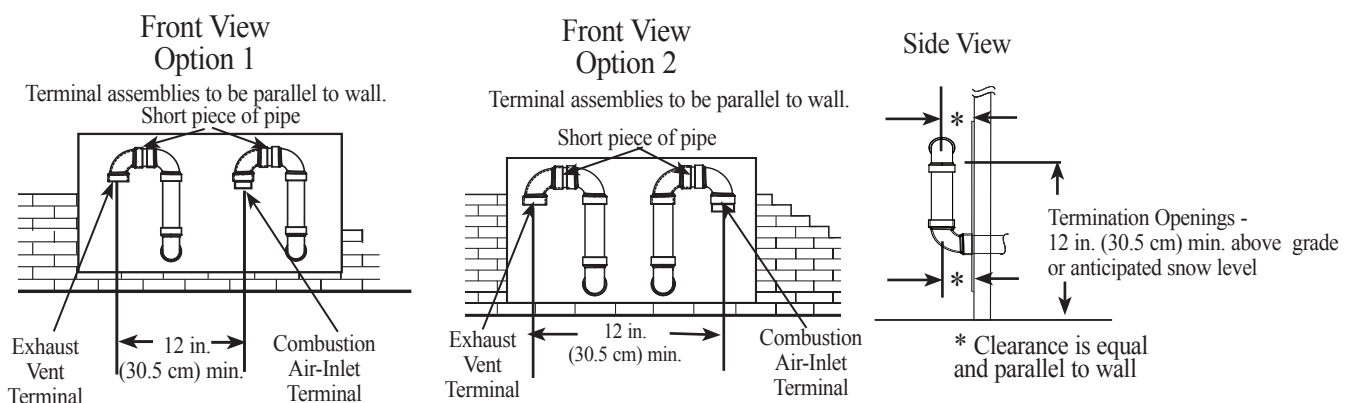
- **Horizontal sections of the vent system must slope downward toward the water heater a minimum of 1/8 in. per foot (10 mm per m).**

DO NOT use unequal diameters of pipe and fittings for the vent and combustion air-inlet systems except as defined previously

NOTICE: The difference between the vent and combustion air-inlet system equivalent lengths must be no greater than 5 ft. (1.5 m).

Complete the installation of the remainder of the combustion air-inlet system and attach it to the combustion air-inlet connector fitting on the water heater's combustion air-inlet tube assembly.

Support vertical and horizontal lengths of the vent and combustion air-inlet systems as previously mentioned.



Installing the Water Heater

Horizontal Vent- Alternate Concentric Terminal Installation:

Contact Manufacturer's National Service Department for Kit information, see "If You Need Service" section.

Read these instructions thoroughly and make sure you understand all steps and procedures before proceeding with the installation.

Determine the location for the concentric terminal then make a 5 in. (12.7 cm) hole through the exterior wall.

Disassemble the concentric terminal assembly.

- Note: The concentric terminal assembly consists of an inner, straight vent pipe, an outer, straight combustion air-inlet pipe, a Wye fitting and rain cap.

The concentric terminal assembly is designed to accept 3 in. (7.6 cm) diameter pipe.

If 2 in. (5.1 cm) diameter pipe is used:

- Then either 2 in. x 3 in. (5.1 cm x 7.6 cm) pipe increasers,
- Or flush bushings must be installed to the vent and combustion air-inlet connections of the terminal assembly.
- **DO NOT** use the concentric terminal assembly with 4 in. (10.2 cm) vent and combustion air-inlet systems.

From inside the building, insert the outer, straight combustion air-inlet pipe through the wall so that the rear of the rain cap when installed sits flush with the outside wall.

NOTICE: The concentric terminal assembly may be reduced in length as follows:

- Measure for desired installation length then cut the outer, straight combustion air-inlet pipe accordingly but not less than 12 in. (30 cm).
- Measure and cut the straight inner vent pipe of the concentric terminal assembly so it is 13 in. (5.1 cm) longer in length than the outer, straight combustion air-inlet pipe.
- Ensure that there is no insulation or debris in the pipe.

Assemble the vent pipe assembly.

- Clean and cement the rain cap to the inner, straight vent pipe.
- From the outside, slide the vent pipe with rain cap assembly through the combustion air-inlet pipe until the rear of the rain cap is flush with the outside wall.
- Clean and cement the rain cap to the combustion air-inlet pipe.
- Clean and cement a 3 in. (7.6 cm) diameter, ULC-S636 approved, Schedule 40, PVC, 90° street elbow to the rain cap.

From the inside, clean and cement the wye fitting to the vent and combustion air-inlet pipes of the termination assembly.

Complete the installation of the remainder of the vent system and attach it to the vent connector fitting on the water heater's blower assembly.

IMPORTANT: Raise all horizontal sections upwards a minimum of 1/8 in. per foot (10 mm per m).

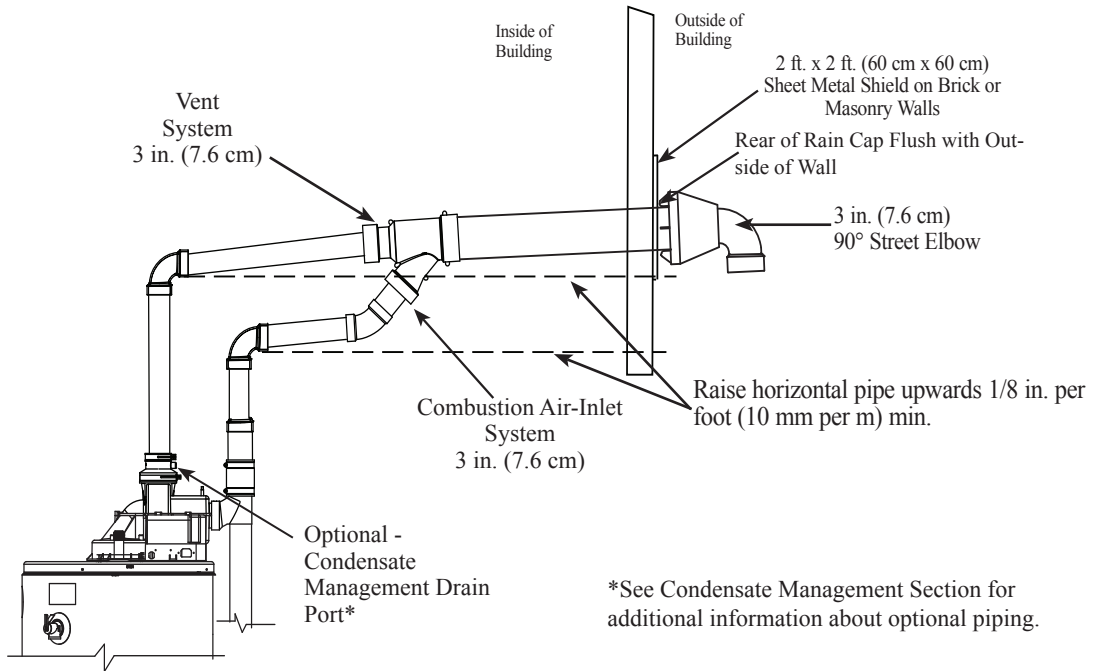
DO NOT use unequal diameters of pipe and fittings for the vent and combustion air-inlet systems except as defined previously

NOTICE: The difference between the vent and combustion air-inlet system equivalent lengths must be no greater than 5 ft. (1.5 m).

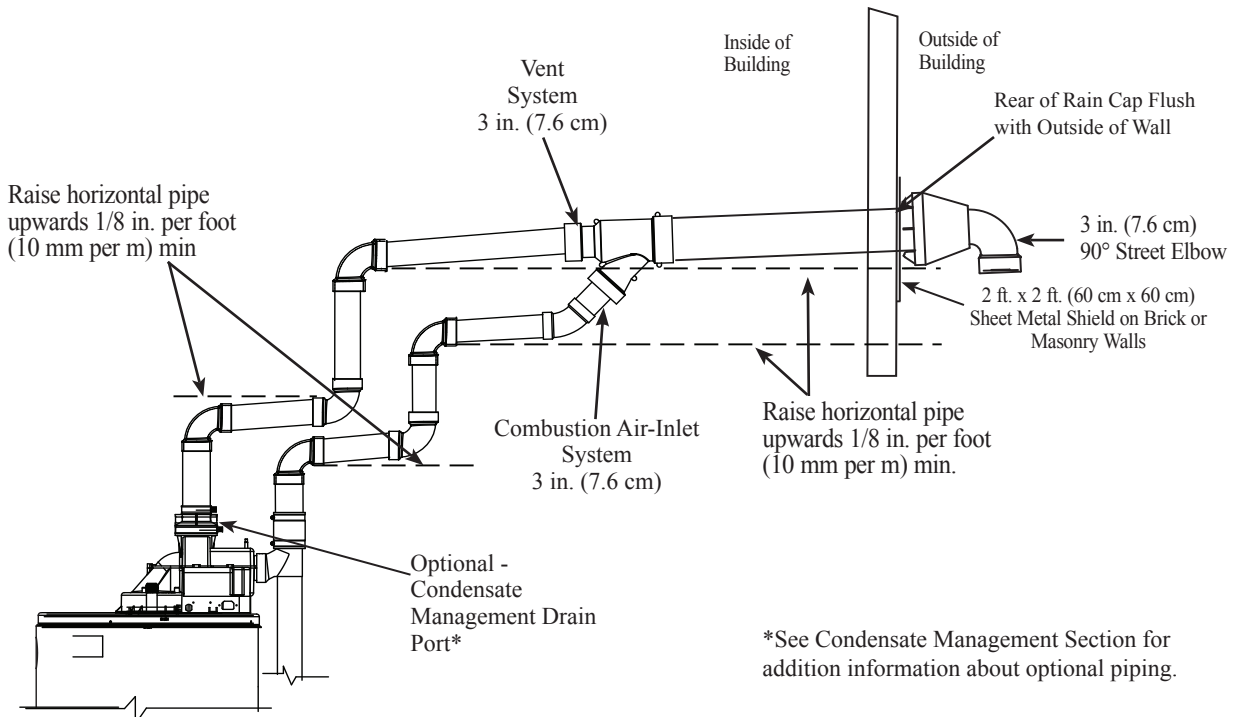
Complete the installation of the remainder of the combustion air-inlet system and attach it to the combustion air-inlet connector fitting on the water heater's combustion air-inlet tube assembly.

Support vertical and horizontal lengths of the vent and combustion air-inlet systems as previously mentioned.

IMPORTANT: Ensure that all the coupling clamps are tight before allowing the water heater to operate.



Horizontal Vent - Concentric Terminal Installation



Alternate Horizontal Vent - Concentric Terminal Installation

Installing the Water Heater

Vertical Vent and Combustion Air-Inlet Installation

The location of the vent and combustion air-inlet terminals depends on the following minimum clearances and considerations:

- 1 Minimum 18 in. (46 cm) exposed pipe above roof.
- 2 Maximum 2 ft. (61 cm) exposed pipe above roof level without additional support for vent.
- 3 Four (4) ft. (1.22 m) from any gable, dormer or other roof structure with building interior access (i.e., vent, window, etc.).
- 4 Within 6 ft. (1.8 m) of mechanical air supply inlet.
- 5 Maintain a minimum horizontal distance of 12 in. (30.5 cm) between the vent and combustion air-inlet terminal centerlines.

Read these instructions thoroughly and make sure you understand all steps and procedures before proceeding with the installation.

Determine the locations for the vent and combustion air-inlet terminals then make two (2) holes through the roof and interior ceiling(s) to accommodate the vent and combustion air-inlet pipes.

- Maintain a minimum horizontal distance of 12 in. (31 cm) between the vent and combustion air-inlet terminals.

Assemble the vent pipe assembly.

Install the vent system and attach it to the vent connector fitting on the water heater's blower assembly.

- **Horizontal lengths of the vent system must slope towards the water heater a minimum of 1/8 in. per foot (10 mm per m).**

Install the combustion air-inlet system and attach it to the combustion air-inlet connector fitting on the water heater's combustion air-inlet tube assembly.

- Support vertical and horizontal lengths of the vent and combustion air-inlet systems as previously mentioned.

Determine the vent and combustion air-inlet terminal heights and cut the pipe accordingly.

NOTICE: Vent pipe, fittings, solvent cement, primers and procedures must conform to ULC-S636.

- Insert lengths of vent and combustion air-inlet pipes through the ceiling wall as shown.
- Install adequate flashing where the vent and combustion air-inlet pipes pass through the roof.
- Connect a short piece of pipe approximately 3 in. (7.6 cm) to the terminals and elbows.

Place the supplied 1/2 in. (1.3 cm) mesh metal screens inside each terminal fitting then connect a short piece of pipe approximately 3 in. (7.6 cm) between the terminals and elbows.

NOTICE: For cold climates the screens may be removed.

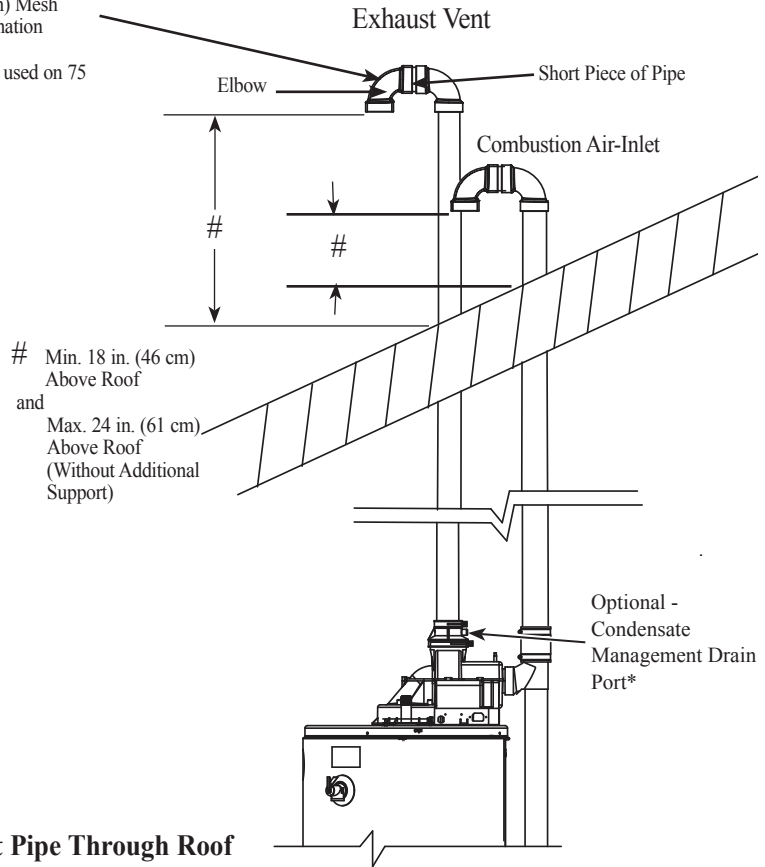
For 75 Gallon Power Direct Vent Models ONLY:

These water heater models are supplied with two (2) vent and combustion air-inlet termination restrictors. These restrictors help the water heater achieve peak efficiency when the water heater is installed using 3 in. (7.6 cm) diameter pipe at the minimum equivalent vent and combustion air-inlet lengths specified in Table 2.

IMPORTANT: Do not install the termination restrictors in equivalent vent and/or combustion air-inlet lengths longer than 8 ft. (2 m) or on any other Power Direct Vent model.

NOTICE: Termination Restrictors supplied for use with 75 Gallon models ONLY.

Terminals with 1/2 in. (1.3 cm) Mesh Protective Screens and Termination Restrictors Inside.
 Note: Termination Restrictors used on 75 Gallon models ONLY

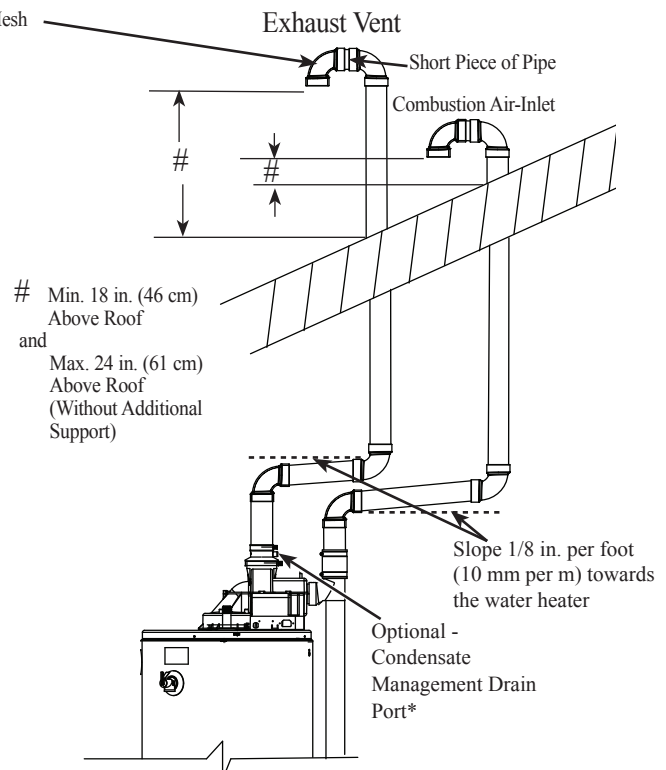


Important: The vent terminal must not terminate below the combustion air-inlet terminal.

*See Condensate Management Section for additional information about optional piping.

Exhaust Vent and /or Combustion Air-Inlet Pipe Through Roof

Terminals with 1/2 in. (1.3 cm) Mesh Protective Screens Inside.



*See Condensate Management Section for additional information about optional piping.

Alternate Vent and /or Combustion Air-Inlet Pipe Through Roof

Installing the Water Heater

Vertical Vent - Alternate Concentric Terminal Installation:

Contact Manufacturer's National Service Department for Kit information, see "If You Need Service" section.

The location of the vent and combustion air-inlet terminal depends on the following minimum clearances and considerations:

- 1 Minimum 18 in. (46 cm) exposed pipe above roof.
- 2 Maximum 2 ft. (61 cm) above roof level without additional support for vent.
- 3 Four (4) ft. (1.22 m) from any gable, dormer or other roof structure with building interior access (i.e., vent, window, etc.).
- 4 Six (6) ft. (1.8 m) of a mechanical air supply inlet.

Read these instructions thoroughly and make sure you understand all steps and procedures before proceeding with the installation.

Determine the location for the concentric terminal then make a 5 in. (12.7 cm) hole through the roof and interior ceiling(s) to accommodate the terminal, vent and combustion air-inlet system pipes and install a weather-seal boot/flashing (not supplied) for 4 -1/2 in. (12.4 cm) PVC pipe.

The concentric terminal assembly is designed to accept 3 in. (7.6 cm) diameter pipe. If 2 in. (5.1 cm) diameter pipe is used.

- Then either 2 in. x 3 in. (5.1 cm x 7.6 cm) pipe increasers.
- Or flush bushings must be installed to the vent and combustion air-inlet connections of the terminal assembly.
- **DO NOT** use the concentric terminal assembly with 4 in. (10.2 cm) vent and combustion air-inlet systems.

Disassemble the concentric terminal assembly.

- Note: The concentric terminal assembly consists of an inner, straight vent pipe, an outer, straight combustion air-inlet pipe, a Wye fitting and rain cap.

From inside the building, insert the outer, straight combustion air-inlet pipe through the weather-seal boot flashing so that the height from the roof to the rear of the rain cap when installed is as specified in the diagram.

NOTICE: The concentric terminal assembly may be reduced in length as follows:

- Measure for desired installation length then cut the outer, straight combustion air-inlet pipe accordingly but not less than 12 in. (30 cm).

- Measure and cut the straight inner vent pipe of the concentric terminal assembly so it is 13 in. (5.1 cm) longer in length than the outer, straight combustion air-inlet pipe
- Ensure that there is no insulation or debris in the pipe.

Assemble the vent pipe assembly.

- Clean and cement the rain cap to the inner, straight vent pipe.

From the outside, slide the vent pipe with rain cap assembly through the combustion air-inlet pipe until the rain cap is fully seated on the pipe.

- Clean and cement the rain cap to the combustion air-inlet pipe.
- Clean and cement a 3 in. (7.6 cm) diameter, ULC-S636 approved, Schedule 40, PVC, 90° street elbow to the rain cap.
- Clean and cement a short, straight section of 3 in. (7.6 cm) diameter, ULC-636 approved straight pipe to the 90° street elbow.
- Clean and cement a 3 in. (7.6 cm) diameter, Schedule 40, PVC, 90°, 1/4 standard bend, ULC-S636 approved elbow to the short, straight section of pipe.

From the inside, clean and cement the wye fitting to the vent and combustion air-inlet pipes of the termination assembly.

Complete the installation of the remainder of the vent system and attach it to the vent connector fitting on the water heater's blower assembly.

- Horizontal lengths of the vent system must slope downward toward the water heater a minimum of 1/8 in. per foot (10 mm per m).

DO NOT use unequal diameters of pipe and fittings for the vent and combustion air-inlet systems except as defined previously.

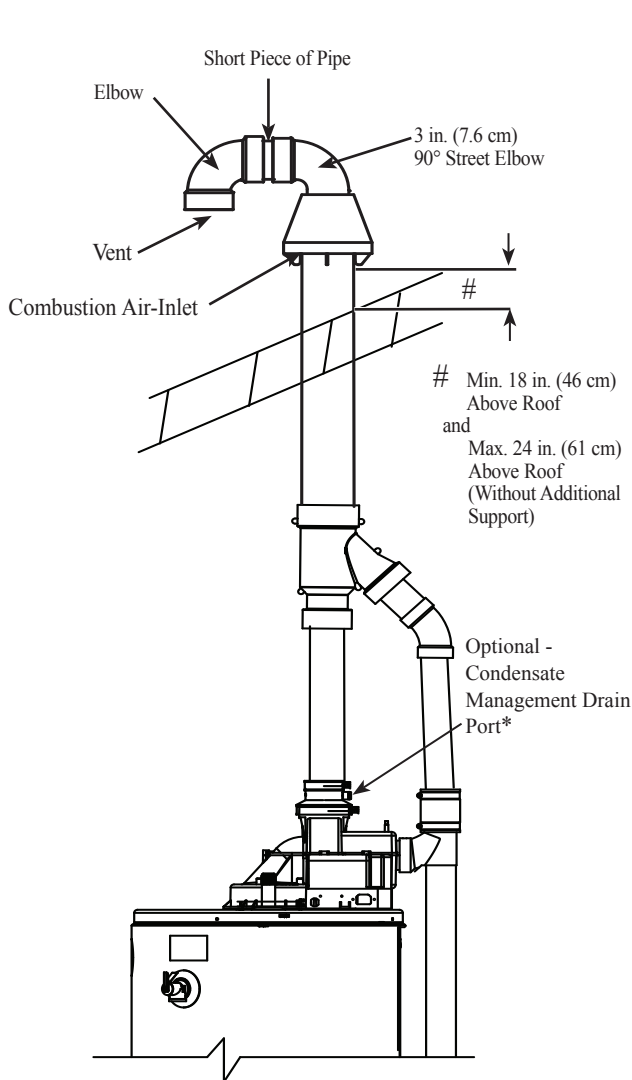
NOTICE: The difference between the vent and combustion air-inlet system equivalent lengths must be no greater than 5 ft. (1.5 m).

Complete the installation of the remainder of the combustion air-inlet system and attach it to the combustion air-inlet connector fitting on the water heater's combustion air-inlet tube assembly.

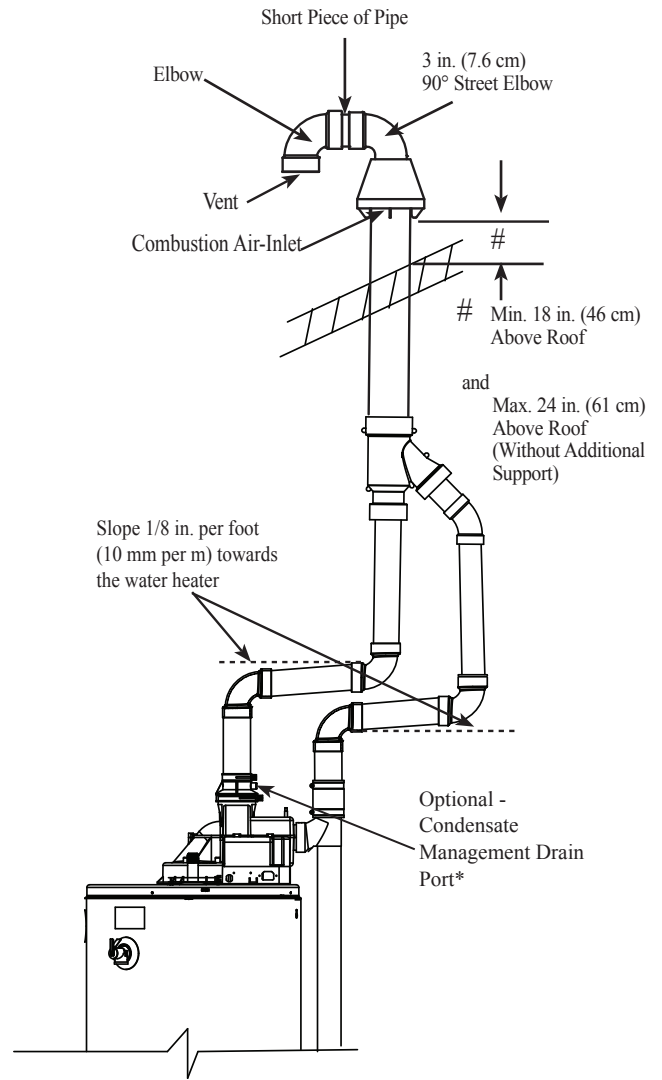
Support vertical and horizontal lengths of the vent and combustion air-inlet systems as previously mentioned.

IMPORTANT: Ensure that all the coupling clamps are tight before allowing the water heater to operate.

⚠ WARNING: Do not operate the water heater with the rain cap and elbows removed or recirculation of combustion products may occur and/or the vent and combustion air-inlet systems could take in water, causing damage to the water heater. Failure to follow this warning could result in damage to the unit, improper operation, personal injury, or death.



Concentric Vent and /or Combustion Air-Inlet Pipe Through Roof



Alternate Concentric Vent and /or Combustion Air-Inlet Pipe Through Roof

*See Condensate Management Section for additional information about optional piping.

Installing the Water Heater

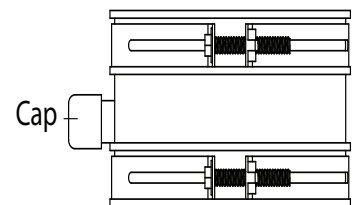
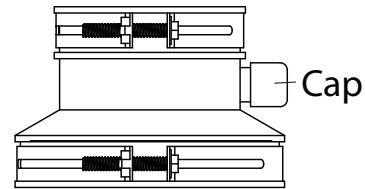
Condensate Management - Optional Piping

There is no condensate collection and disposal required for Rheem water heaters under most conditions. Installations where the vent system length is short or where it runs through conditioned space in the home, such as basements or interior walls, do not typically cause condensation and will not require any condensation disposal methods regardless of vent pipe slope. The images on page 22 show the recommended vent pipe slope of no less than 1/8 in. per foot (10 mm per m) away from the water heater. Any condensation in the venting system will drain toward the vent termination. The blower pipe coupling features a capped drain port which is not needed in this case.

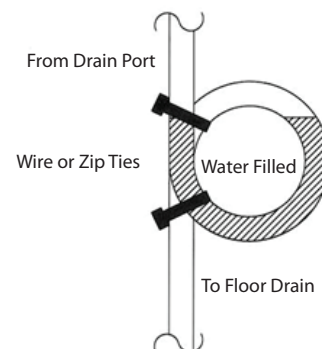
⚠ CAUTION: Make sure the drain port cap is securely in place.

There are vent piping configurations, when combined with certain environmental conditions that can produce enough condensate to require collection and disposal. When a slope away from the water heater cannot be achieved and condensate handling is required in a horizontal vent system, slope the vent pipe toward the water heater 1/8 in. per foot (10 mm per m) minimum and condensate management means as follows:

- Remove the cap from vent pipe coupling, drain port on the blower assembly.



- Connect 1/2 in. I.D, flexible, PVC (or equivalent material), clear tubing to the drain port. Note: The tubing must be of sufficient length to reach a floor drain, outside the building or other required condensate disposal termination requirements (Refer to local codes).
- Loop the drain tube so that it has a circular trap and secure the top and bottom of the loop with wire ties or plastic zip ties as shown. DO NOT restrict any portion of the drain tube. The loop and all sections of the tube must not be restricted or collapsed.

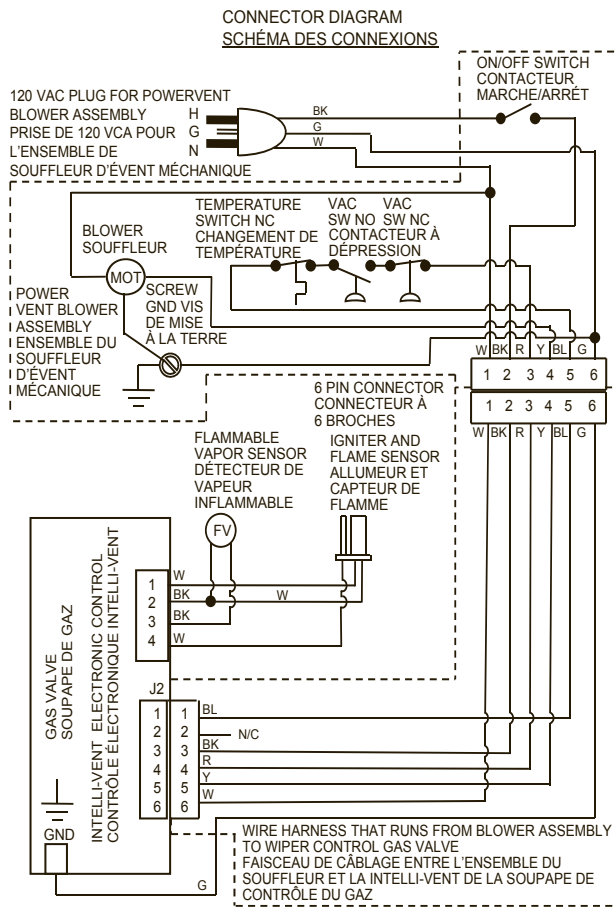


- Fill the drain tube with water so that no combustion gases might vent into the room.
- Route the drain tube to a floor drain or outside the building or other required condensate disposal termination requirements (Refer to local codes).

Wiring

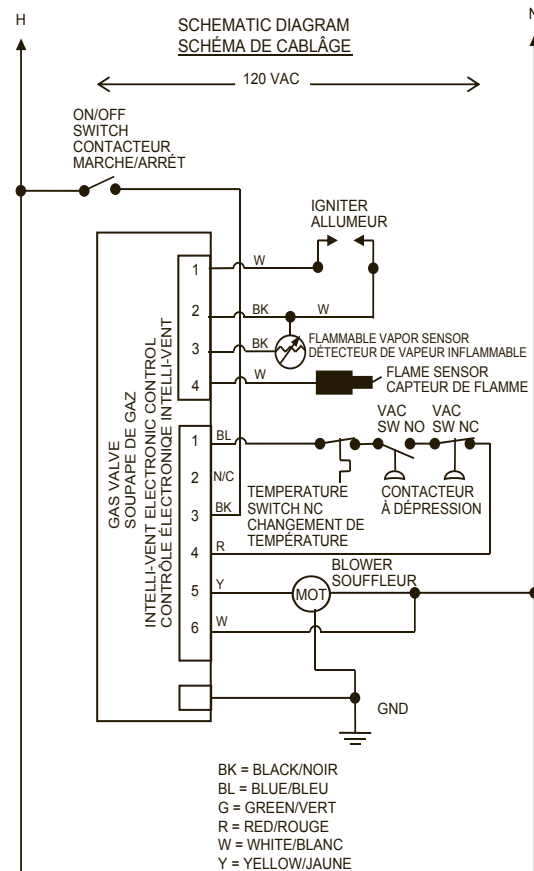
This water heater may be connected to electric service with the power cord provided (**DO NOT** use an extension cord). A grounding receptacle is required.

The water heater must be electrically grounded in accordance with local codes, or, in the absence of local codes, in accordance with latest edition of the National Electric Code ANSI/NFPA No. 70 in US and for Canada the Canadian Electrical Code CSA C22.1. Refer to the figures below for water heater internal wiring.



ANY REPLACEMENT IGNITOR CABLE MUST BE RATED AT 250° C
TOUT CÂBLE D'ALLUMAGE DE REMPLACEMENT DOIT ÊTRE ÉTALONNÉ À 250° C

120V 50/60 Hz LESS THAN 5 AMPS



NOTE: IF ANY OF THE ORIGINAL WIRE SUPPLIED WITH THE APPLIANCE MUST BE REPLACED, IT MUST BE REPLACED WITH A 18 GA, 600 V, 105° C WIRE.

REMARQUE: SI UNE PARTIE QUELCONQUE DU CÂBLAGE ORIGINAL FOURNI AVEC L'APPAREIL DOIT ÊTRE REMPLACÉE, ELLE DOIT ÊTRE REMPLACÉE AVEC UN FIL DE CALIBRE 18, 600 VCA, 105° C.

CAUTION! Wiring errors can cause improper and dangerous operation.
VERIFY PROPER OPERATION AFTER SERVICING!

Installing the Water Heater

▲WARNING: DANGER OF FIRE OR BODILY INJURY - Solvent cements and primers are highly flammable. Provide adequate ventilation and do not assemble near heat source or open flame. Do not smoke. Avoid skin or eye contact. Observe all cautions and warnings on material containers.

▲CAUTION: For proper installation:

DO NOT use solvent cement that has become curdled, lumpy or thickened.

DO NOT thin solvent cement. Observe shelf precautions printed on the containers.

For applications below 32°F (0°C) use only low temperature type solvent cement.

Appropriate solvent and cleaner must be used for the type of pipe used (PVC, CPVC or ABS).

Cementing Joints (US Only)

All joints in the vent piping must be properly sealed and the following materials are recommended:

PVC materials should use ASTM D2564 grade cement.

CPVC materials should use ASTM F493 grade cement.

ABS materials should use ASTM D2235 grade cement.

Cleaner-Primer and Medium Body Solvent Cement:

- 1 Cut pipe end square, remove jagged edges and burrs. Chamfer end of pipe, then clean fitting socket and pipe joint area of all dirt, grease or moisture.
- 2 After checking pipe and socket for proper fit, wipe socket and pipe with cleaner-primer. Apply a liberal coat of primer to inside surface of socket and outside of pipe. Do not allow primer to dry before applying cement.

- 3 Apply a thin coat of cement evenly in the socket. Quickly apply a heavy coat of cement to the pipe end and insert pipe into fitting with a slight twisting motion until it bottoms out.

NOTICE: Cement must be fluid; if not, recoat.

- 4 Hold the pipe fitting for 30 seconds to prevent the tapered socket from pushing the pipe out of the fitting.
- 5 Wipe all excess cement from the joint with a rag. Allow 15 minutes before handling. Cure time will vary according to fit, temperature and humidity.

NOTICE: Stir the solvent cement frequently while using. Use a natural bristle brush or the dauber supplied with the can.

NOTICE: This unit is equipped with a Flammable Vapour Sensor. Do not apply power until enough time has passed to allow the vapours from the primer and cement to dissipate.

Insulation Blankets

Insulation blankets, available to the general public, for external use on gas water heaters are not necessary. The purpose of an insulation blanket is to reduce the standby heat loss encountered with storage tank heaters. This water heater meets or exceeds the National Appliance Energy Conservation Act standards with respect to insulation and standby loss requirements making an insulation blanket unnecessary.

The manufacturer's warranty does not cover any damage or defect caused by installation, attachment or use of any type of energy saving or other unapproved devices (other than those authorized by the manufacturer) into, onto or in conjunction with the water heater. The use of unauthorized energy saving devices may shorten the life of the water heater and may endanger life and property.

The manufacturer disclaims any responsibility for such loss or injury resulting from the use of such unauthorized devices.

▲CAUTION: If local codes require the application of an external insulation blanket to this water heater, pay careful attention to the following so as not to restrict the proper function and operation of the water heater:

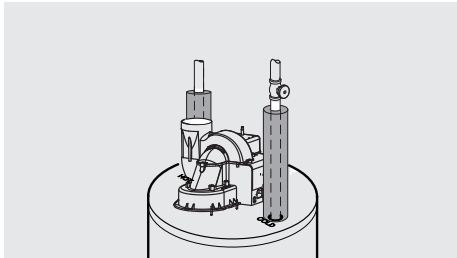
- **DO NOT** cover the operating or warning labels attached to the water heater or attempt to relocate them on the exterior of insulation blanket.
- **DO NOT** apply insulation to the top of the water heater. This will interfere with the safe operation of the blower assembly.
- **DO NOT** cover the burner access door, jacket door, combination gas control (thermostat) or pressure and temperature relief valve.
- **DO NOT** apply insulation to the area where the Flammable Vapour Sensor is located. This area must be unobstructed so as not to restrict air flow to the sensor.
- Inspect the insulation blanket frequently making certain it has not sagged and it is not restricting the air flow to the Flammable Vapour sensor located around the lower perimeter of the water heater jacket. This could result in an unsafe operating condition.

Heat Traps

For increased energy efficiency, some water heaters have been supplied with factory installed 3/4 in. or 1 in. NPT heat trap fittings in the hot outlet line and cold water inlet line. These heat trap fittings may require a minimum of one (1) 90°, 3/4 in. or 1 in. NPT elbow

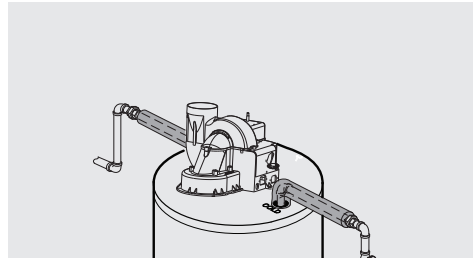
and may require an additional 90°, 3/4 in. or 1 in. NPT elbow or a 3/4 in. or 1 in. coupling depending on your model of water heater and installation needs. See illustration of nipples and heat traps on page 46.

Hot and Cold Pipe Insulation Installation



Typical vertical piping arrangement

For increased energy efficiency, some water heaters have been supplied with two 24 in. (61 cm) long sections of pipe insulation.



Typical horizontal piping arrangement

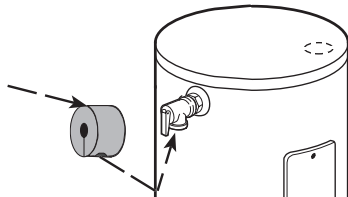
Please install the insulation, according to the illustrations above, that best meets your requirements.

T&P Insulation Installation

For increased energy efficiency, this water heater has been supplied with a 2 3/8" section of T&P insulation. Please install the insulation as shown below.

Slip the insulation cover over the T&P Valve through the center hole and align the hole in the side with the opening of the T&P Valve.

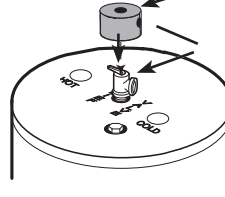
Ensure the T&P Valve opening is not obstructed by the insulation.



Typical Side Connect T & P Arrangement.

Slip the insulation cover over the T&P Valve through the center hole and align the hole in the side with the opening of the T&P Valve.

Ensure the T&P Valve opening is not obstructed by the insulation.

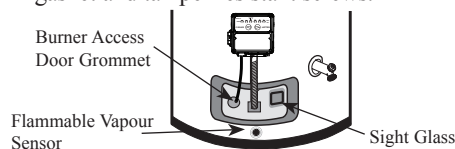


Typical Top Connect T & P Arrangement.

During Installation of this water heater.....

DO

- **DO** check inlet gas pressure to ensure that it is within the range specified on the rating plate.
- **DO** maintain proper clearances to combustibles as specified on the rating plate.
- **DO** allow enough time for joint cement vapours to dissipate BEFORE applying power to the water heater.
- **DO** ensure that the venting system complies with the guidelines found in the Use and Care Manual and National Fuel Gas Code for US installations or in the CAN/CSA - B149.1 Natural Gas and Propane Installation Code for Canada Installations.
- **DO** contact a qualified service technician if the main burner will not stay lit. The burner chamber is designed to be sealed utilizing a gasket and tamper resistant screws.



DON'T

- **DON'T** block or restrict the Flammable Vapour Sensor located around the lower portion of the water heater jacket.
- **DON'T** remove the Burner Access Door unless absolutely necessary. This should only be done by a qualified service technician. A new burner access door gasket must be installed on any burner access door that has been removed.
- **DON'T** install this water heater where standing water may occur. The base of the water heater is meant to be mounted on a dry surface.
- **DON'T** allow cleaners, solvents, or other materials to come into contact with the Flammable Vapour Sensor.
- **DON'T** operate the water heater if the sight glass or burner access door grommet is damaged or broken (see to the left).

Installation Checklist

A. Water Heater Location

- In a location where the vent and combustion air-inlet systems will be within the requirements specified in this manual.
- Indoors and protected from freezing temperatures.
- Proper clearance from combustible surfaces observed and water heater not installed on carpeted floor.
- Air supply free of corrosive elements and flammable vapours.
- Provisions made to protect area from water damage.
- Catch pan installed.
- Sufficient room to service the water heater.
- Combustible materials, such as clothing, cleaning materials, rags, etc. clear of the base of the water heater.
- Flammable vapour sensor is not blocked.

B. Water Supply

- Water heater completely filled with water.
- Air purged from water heater and piping.
- Water connections tight and free of leaks.

C. Gas Supply

- Gas line equipped with shut-off valve, union and sediment trap.
- Approved pipe joint compound used.
- Soap and water solution used to check all connections and fittings for possible gas leak.
- Gas Company inspected installation (if required).

D. Relief Valve

- Temperature and Pressure Relief Valve properly installed and discharge line run to open drain.
- Discharge line protected from freezing.

E. Venting and Combustion Air-Inlet Systems

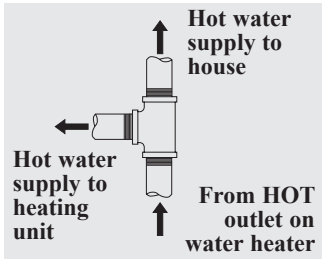
- Water Heater vented separately from all other appliances.
- Blower assembly properly installed.
- Proper materials and techniques used in the installation of the vent and combustion air-inlet systems.
- Vent pipe properly secured to the exhaust connector of the blower assembly.
- Vent and combination air-inlet systems supported at required intervals.
- Appropriate minimum clearances observed.
- Precautions taken to prevent moisture damage around vent termination.
- Vapours from nonmetallic pipe cement and primer have dissipated prior to applying electrical power.
- Combustion Air-Inlet pipe properly secured to the combustion air-inlet piping tee.

F. Wiring

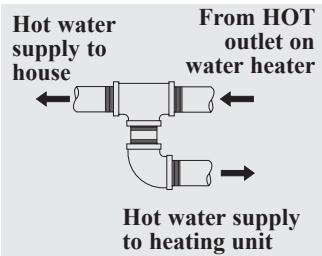
- Correct power supply (120 VAC).
- Electrical connections tight.
- Water Heater properly grounded and proper polarity observed.

Supplemental Instructions for Gas Water Heaters Installed in Potable Water/Space Heating Applications

Local codes or plumbing authority requirements may vary from the instructions or diagrams provided in this manual and take precedent over these instructions.



Tee fitting for vertical hot water supply lines.



Tee fitting for horizontal hot water supply lines.

Combination Potable Water and Space Heating Application

Tee fitting must be installed as shown. This ensures that any air in the water lines will be purged through the domestic water faucets and showers.

⚠ DANGER: When this system requires water for space heating at elevated temperatures (above 125°F [52°C.]), a mixing or tempering valve must be installed in the hot water supply line to the house in order to reduce the scald hazard potential.

⚠ DANGER: Any piping or components used in the installation of this water heater in a combination potable and space heating application must be suitable for use with drinking water.

⚠ DANGER: If this water heater is installed in an application intended to supply domestic hot water needs and hot water for space heating purposes, do not connect the heater to an existing heating unit or components of a heating system that have previously been used with a non drinking water system. Toxic chemicals such as those used for boiler treatment may be present and will contaminate the drinking water supply causing possible health risks. Never introduce toxic chemicals, such as those used for boiler treatment, into this system.

Notice: 50 ft. (15.2 m) maximum distance from water heater to fan coil (developed length) is required for Massachusetts State.

Typical Piping Diagram for Combination Potable/Space Heating Installation

Nominal 3/4" size mixing or tempering valve (refer to warning above). Follow mixing or tempering valve manufacturer's instructions for installation of the valve.

Spring loaded check valve in heating unit hot water supply line and cold water return line (not supplied with water heater)

NOTE: This check valve is incorporated in some heating units. Refer to the installation instructions supplied with specific heating unit to determine if it is required.

Isolation valve in hot water supply line to heating unit (not supplied with water heater)

See diagrams above for proper pipe application for vertical or horizontal supply lines.

Temperature and Pressure Relief Valve, tie to location approved by local code

Gas line to water heater

Temperature and pressure relief valve discharge line

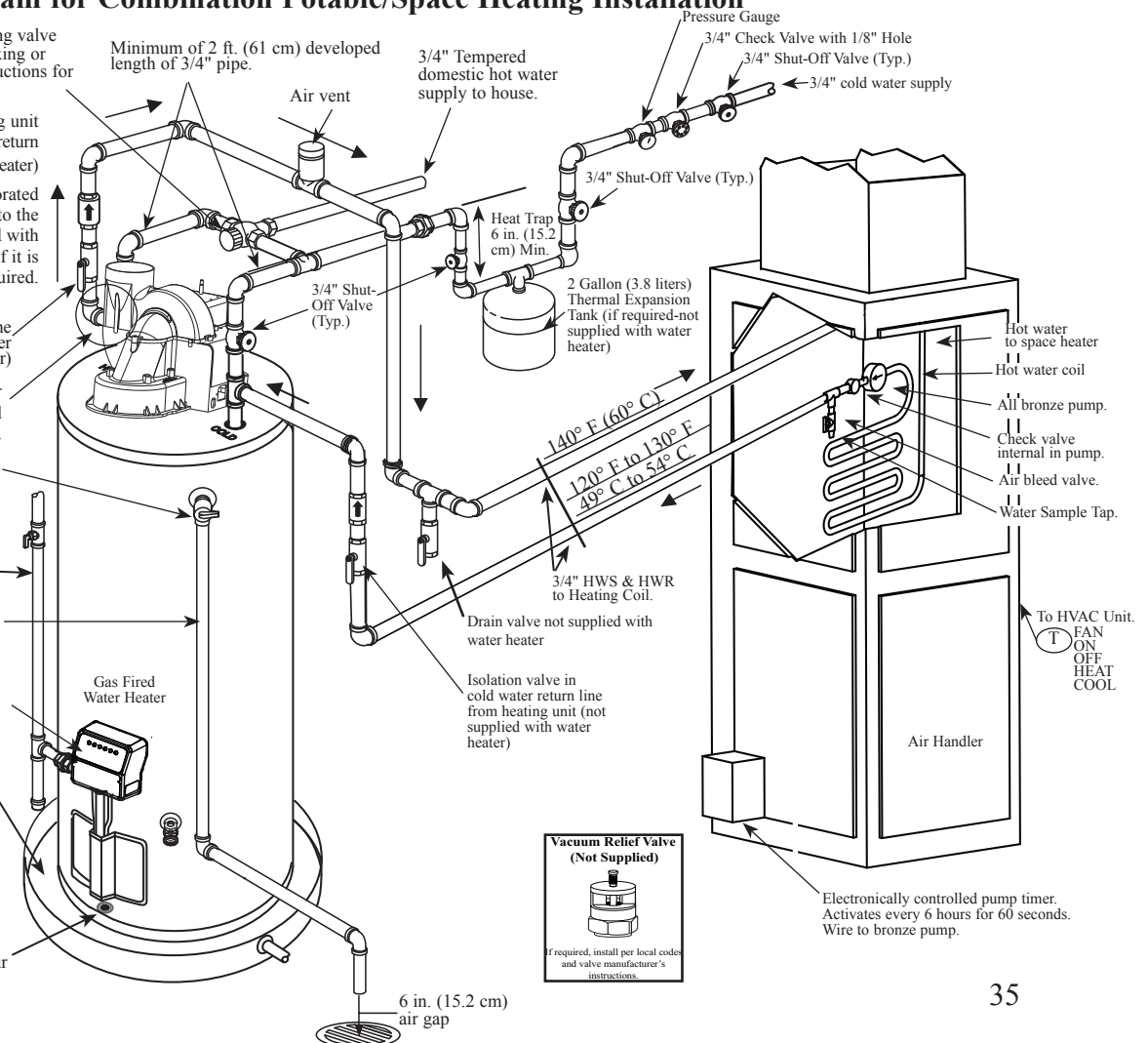
Combination gas control (Thermostat)

Water Heater drain pan installed in accordance with the Local and State Code

Water heater to be in accordance with the Local and State Energy Code

All water piping shall be insulated in accordance with Local and State Energy Code.

Flammable Vapour Sensor



Lighting the Water Heater






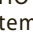

Before operating this water heater, be sure to read and follow the instructions on the label pictured below and all other labels on the water heater, as well as the warnings printed in this manual. Failure to do so can result in unsafe operation of the water heater resulting in property damage, personal injury, or death. Should you have any problems reading or following the instructions in this manual, STOP, and get help from a qualified person.

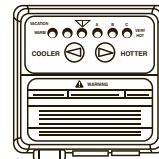
FOR YOUR SAFETY READ BEFORE OPERATING

⚠ WARNING: If you do not follow these instructions and the Use & Care Manual instructions exactly, a fire or explosion may result causing property damage, personal injury or loss of life.




- A. This appliance does not have a pilot. It is equipped with an ignition device which automatically lights the burner. Do **NOT** try to light the burner by hand.
- B. BEFORE PUTTING THIS APPLIANCE INTO SERVICE - Smell all around the appliance area for gas. Be sure to smell next to the floor because some gas is heavier than air and will settle on the floor.
WHAT TO DO IF YOU SMELL GAS
 - Do not try to light any appliance.
 - Do not touch any electric switch; do not use any phone in your building.
 - Immediately call your gas supplier from a neighbor's phone. Follow the gas supplier's instructions.
 - If you cannot reach your gas supplier, call the fire department.
- C. Use only your hand to push in the gas control buttons. Never use tools. If the control buttons will not push in, don't try to repair them, call a qualified service technician. Force or attempted repair may result in fire or explosion.
- D. Do not use this appliance if any part has been under water. Immediately call a qualified installer or service agency to replace a flooded water heater. Do not attempt to repair the unit! It must be replaced!

OPERATING INSTRUCTIONS

1. Stop! Read the safety information above on this label.
2. Toggle the "ON/OFF" switch located on the blower assembly to the "ON" position.
3. Set the thermostat to the lowest setting by pressing the COOLER  and HOTTER  buttons at the same time and holding them for (1) second. Depress the COOLER  button until only the WARM indicator light is lit.
4. Toggle the "ON/OFF" switch located on the blower assembly to the "OFF" position.
5. Turn off all electrical power to the appliance.
6. This appliance is equipped with a Hot Surface Ignition System which automatically lights the burner. Do **NOT** open the inner door of this appliance and try to light the burner by hand!
7. Wait five (5) minutes to clear out any gas. If you smell gas, STOP! Follow "B" in the safety information above on this label. If you do not smell gas, go ahead to the next step.
8. Turn on all electrical power to the appliance.
9. Toggle the "ON/OFF" switch located on the blower assembly to the "ON" position.
10. Set thermostat to the desired temperature setting by pressing the COOLER  and HOTTER  buttons at the same time and holding them for (1) second. Depress the HOTTER  button until the desired temperature display setting is lit. The preferred starting point for temperature setting is indicated by  on the thermostat.
11. If the appliance will not operate, follow the instructions "TO TURN OFF GAS TO APPLIANCE" and call your service technician or gas supplier.



TO TURN GAS OFF TO THE APPLIANCE

1. Set the thermostat to the lowest setting by first depressing the COOLER  and HOTTER  buttons at the same time and holding for (1) second. Depress the COOLER  button until only the WARM indicator light is lit.
2. Toggle the "ON/OFF" switch located on the blower assembly to the "OFF" position.
3. Turn off all electrical power to the appliance.

Operating the Water Heater

▲ CAUTION: Hydrogen gas can be produced in a hot water system served by this water heater that has not been used for a long period of time (generally two weeks or more). **HYDROGEN GAS IS EXTREMELY FLAMMABLE!!** To dissipate such gas and to reduce risk of injury, it is recommended that the hot water faucet be opened for several minutes at the kitchen sink before using any electrical appliance connected to the hot water system. If hydrogen is present, there will be an unusual sound such as air escaping through the pipe as the water begins to flow. Do not smoke or use an open flame near the faucet at the time it is open.

Safety Precautions

- A** Do not turn off manual gas shut-off valve if water heater has been subjected to over heating, fire, flood, physical damage or if the gas supply fails to shut off.
- B** Do Not turn on water heater unless it is completely filled with water.
- C** Do Not turn on water heater if cold water supply shut-off valve is closed.
- D** Do Not allow combustible materials such as newspaper, rags or mops to accumulate near water heater.
- E** Do Not store or use gasoline or other flammable vapours and liquids, such as adhesives or paint thinner, in vicinity of this or any other appliance. If such flammables must be used, open doors and windows for ventilation, and all gas burning appliances in the vicinity should be shut off including their pilot burners, to avoid vapours lighting.
- F** If there is any difficulty in understanding or following the Operating Instructions or the Care and Cleaning section, it is recommended that a qualified person or serviceman perform the work.

NOTICE: Flammable vapours can be drawn by air currents from surrounding areas to the water heater.

Operating Procedure

This water heater is equipped with a hot surface ignitor to light the main burner. There is no pilot light to be lit, but on initial start-up, it is recommended that the outer door be removed (leave inner door in place for safety) to view through the sight glass if the hot surface ignitor and main burner are operating properly.

Once filled with water, it is only necessary to plug the power cord in and make sure the “ON/OFF” switch located on the blower assembly is in the “ON” position to put the water heater into operation. Within seconds the hot surface

ignitor should heat up, then the gas valve should open and the main burner ignite. After the main burner ignites, replace the outer door. If no main burner flame is established, the gas control will go through three trials for ignition before going into a lock-out. A warning light will alert the user of this lock-out condition. If this happens, refer to “Troubleshooting Guide.”

TO SHUT OFF WATER HEATER – Turn switch located on the side of the blower assembly to the “OFF” position. See diagram on page 46 for location of blower assembly.

Water Temperature Setting

▲ DANGER: Hotter water increases the Potential for Hot Water SCALDS. Households with small children, disabled, or elderly persons may require a 120°F (49°C) or lower combination gas control (thermostat) setting to prevent contact with unsafe water temperatures.

The temperature of the water in the water heater can be regulated by pressing the buttons on the front of the combination gas control (thermostat).

Safety and energy conservation are factors to be considered when selecting the water temperature setting of the water heater’s combination gas control (thermostat). The lower the temperature setting, the greater the savings in energy and operating costs.

To comply with safety regulations, the combination gas control (thermostat) was set at its lowest setting before the water heater was shipped from the factory. The recommended starting point temperature is 120°F (49°C).

Water temperatures above 125°F (52°C) can cause severe burns or death from scalding. Be sure to read and follow the warnings outlined in this manual and on the label located on the water heater near the gas control (thermostat).

Mixing valves are available for reducing point of use water temperature by mixing hot and cold water in branch water lines. Contact a licensed plumber or the local plumbing authority for further information.

The chart on the next page may be used as a guide in determining the appropriate water temperature for your home.

Operating the Water Heater

Water Temperature Setting...

Maximum water temperatures occur just after the burner has shut off. To determine the water temperature, turn on a hot water faucet and place a thermometer in the water stream.

To avoid any unintentional changes in water temperature settings, the combination gas control (thermostat) has a tamper resistant feature for changing the temperature setting. To change the temperature setting follow these instructions.

1. "Wake Up" the temperature indicators by holding down both "COOLER" and "HOTTER" temperature adjustment buttons at the same time for one second, see Figure below. One or two of the temperature indicators will light up. These indicators will only remain on for 30 seconds if no further buttons are pressed. After 30 seconds the control will go back to "sleep" mode.
2. Release both of the temperature buttons.
 - a. To decrease the temperature press and release the "COOLER" button until the desired setting is reached.
 - b. To increase the temperature press and release the "HOTTER" button until the desired setting is reached.

NOTICE: Holding down the button will not continue to lower or raise the temperature setting. The button must be pressed and released for each temperature change desired.

A condition known as "stacking" or "layering" can occur when a series of short and frequent hot water

draws are taken.

The hottest temperature water will be at the top of the tank, closest to the outlet pipe delivering hot water to the home.

Stacking can cause this top layer of water to be hotter than the water toward the bottom of the tank near the combination gas control (thermostat). Therefore, always remember to test the water temperature with your hand before use and remember that hotter water increases the risk of scald injury.

Also, always supervise young children or others who are incapacitated.

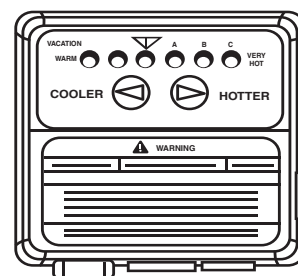
The combination gas control (thermostat) is constructed with a built in safety shutoff device designed to shut off the gas supply to the burner if the main burner is extinguished for any reason.

The combination gas control (thermostat) is also equipped with a gas shutoff device that will shut off the gas supply to the burner if the water heater exceeds normal operating temperatures. Refer to the Before You Call For Service section of this manual, or contact your dealer.

▲ WARNING: Should overheating occur or the gas supply fail to shut off, turn off the manual gas (shutoff) valve to the appliance.

If the water heater has been subjected to fire, flood or physical damage, turn off the manual gas (shutoff) valve, and do not operate the water heater again until it has been checked by a qualified service technician.

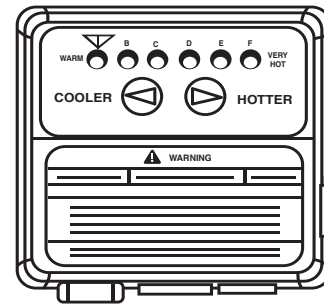
Temperature Setting for 50 & 65 gallons	Display ▼ A B C	Burns on Adult Skin
WARM = approx. 70°F (21°C)	● ○ ○ ○ ○ ○	-----
▼ = approx. 120°F (49°C)	○ ○ ● ○ ○ ○	More than 5 minutes
A = approx. 130°F (54°C)	○ ○ ○ ● ○ ○	About 30 seconds
B = approx. 140°F (60°C)	○ ○ ○ ○ ● ○	Less than 5 seconds
C = approx. 150°F (66°C)	○ ○ ○ ○ ○ ●	About 1-1/2 seconds
C-Flashing = approx. 160°F (71°C)	○ ○ ○ ○ ○ ●	About 1/2 seconds



Time/Temperature Relationship in Scalds

Water Temperature	Time To Produce a Serious Burn
120°F (49°C)	More than 5 minutes
125°F (52°C)	1½ to 2 minutes
130°F (54°C)	About 30 seconds
135°F (57°C)	About 10 seconds
140°F (60°C)	Less than 5 seconds
145°F (63°C)	Less than 3 seconds
150°F (66°C)	About 1½ seconds
155°F (68°C)	About 1 second

Temperature Setting for 75 gallons	Display ▼ B C D E F	Burns on Adult Skin
▼ = approx. 120°F (49°C)	● ○ ○ ○ ○ ○	More than 5 minutes
B = approx. 130°F (54°C)	● ● ○ ○ ○ ○	About 30 seconds
C = approx. 140°F (60°C)	○ ● ○ ○ ○ ○	Less than 5 seconds
D = approx. 150°F (66°C)	○ ○ ● ○ ○ ○	About 1-1/2 seconds
E = approx. 160°F (71°C)	○ ○ ○ ● ○ ○	About 1/2 seconds
F = approx. 170°F (77°C)	○ ○ ○ ○ ● ○	-----
F = approx. 180°F (82°C)	○ ○ ○ ○ ○ ●	-----



Sequence of Operation

During initial start-up or a call for heat, the control will verify the vent vacuum switch is open.

Once the control verifies the vent vacuum switch is open, the control will energize the blower motor for the pre-purge sequence (approximately 5 seconds).

The control will verify the vent vacuum switch has closed, ensuring that the blower is functioning properly and that the venting system is not blocked.

The control will then proceed through a sequence of self-diagnostics before initiating a trial for ignition.

During the trial for ignition, the hot surface ignitor will warm up.

Once the hot surface ignitor warms up, the main gas valve will open allowing gas to flow to the main burner.

Once the main burner ignites, the control will verify that the burner flame is present through the flame sense circuit. The hot surface ignitor will then turn off.

The main burner will remain lit throughout the heat cycle until the water temperature setting is reached.

Once the water temperature setting is reached, the control will close the main gas valve which will extinguish the main burner flames.

The blower motor will stay energized for an additional 5 seconds after the control verifies that the burner flame is extinguished in order to clear combustion gases from the water heater.

After the post-purge sequence, the control will de-energize the blower motor and go into a stand-by mode awaiting the next call for heat.

This water heater is equipped with a flammable vapour sensor that is monitored continuously by the electronic control in all modes of operation.

In the event that flammable vapours are detected, the control will automatically shut down the water heater and prevent the water heater from being started again.

The following is a list of materials that will cause the Flammable Vapour Sensor to shut down the water heater.

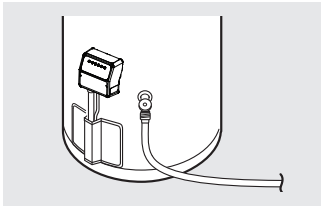
- Vapours of Gasoline.
- Vapours of certain flammable paints, stains, and thinners.
- Vapours of vent pipe Cement & Solvents.
- Bleach (direct contact with flammable vapour sensor).
- Some other flammable materials and their vapours.

If the flammable vapour sensor shuts down the water heater, then the electronic control will display the appropriate error code and you should then promptly contact a qualified service technician.

Refer to the “NOTICE” on page 3 for additional information.

Care and Cleaning of the Water Heater

Draining the Water Heater



▲ CAUTION: Shut off gas to the water heater at the manual gas shut-off valve before draining water.

▲ DANGER: Before manually operating the temperature and pressure relief valve, make certain no one will be exposed to the hot water released by the valve. The water drained from the tank may be hot enough to present a scald hazard and should be directed to a suitable drain to prevent injury or damage.

Before turning off the cold water supply to the water heater, open a hot water faucet allowing sufficient cold water into the tank to prevent the risk of a scald injury while draining the water heater. Once the water in the tank is no longer hot, turn off the cold water supply to the water heater. Open a hot water faucet or lift the handle on the relief valve to admit air to the tank.

Attach a garden hose to the drain valve on the water heater and direct the stream of water to a drain. Open the valve.

▲ DANGER: Before manually operating the relief valve, make certain no one will be exposed to the danger of the hot water released by the valve. The water may be hot enough to create a scald hazard. The water should be released into a suitable drain to prevent injury or property damage.

▲ DANGER: Hotter water increases the potential for Hot Water Scalds.

▲ DANGER: Failure to perform the recommended Routine Preventative Maintenance can harm the proper operation of this water heater, which can cause carbon monoxide dangers, excessive hot water temperatures and other potentially hazardous conditions.

Routine Preventative Maintenance

Properly maintained, your water heater will provide years of dependable trouble-free service.

It is recommended that a periodic inspection of the combination gas control (thermostat), burner, relief valve, internal flue-way, vent and combustion air-inlet systems should be made by service personnel qualified in gas appliance repair.

It is suggested that a routine preventative maintenance program be established and followed by the user.

Inspect the combustion air-inlet and vent systems. Make certain that all joints are secure and that combustion air-inlet and vent pipe supports are all in place. Check the outdoor combustion air-inlet and vent terminals to see that they are free of obstructions, and that there is no damage nearby caused by condensate.

Periodically, lift and release the lever handle on the temperature pressure relief valve, located near the top of the water heater, to make certain the valve operates freely. Allow several gallons to flush through the discharge line to an open drain.

NOTICE: If the temperature and pressure relief valve on the water heater discharges periodically, this may be due to thermal expansion in a closed water system. Contact the water supplier or your plumbing contractor on how to correct this.

DO NOT plug the relief valve outlet.

A water heater's tank can act as a settling basin for solids suspended in the water. It is therefore not uncommon for hard water deposits to accumulate in the bottom of the tank. If allowed to accumulate, these solids can cover the combination gas control (thermostat) sensors, causing the sensors to operate erratically. Because accumulated solids can prevent the combination gas control (thermostat) sensors from accurately reading the water temperature, the water at the fixture can be hotter than the combination gas control (thermostat) setting. It is suggested that a few quarts of water be drained from the water heater's tank every month to clean the tank of these deposits.

Rapid closing of faucets or solenoid valves in automatic water using appliances can cause a banging noise heard in a water pipe. Strategically located risers in the water pipe system or water hammer arresting devices can be used to minimize the problem.

The anode rod should be removed from the water heater's tank periodically, for inspection and replaced when more than 6 in. (15.2 cm) of core wire is exposed at either end of the rod.

Make sure the cold water supply is turned off before removing anode rod.

This water heater incorporates a combustion shutoff device that shuts the operation of the water heater down if undesirable combustion conditions occur, such as the presence of flammable vapours or blockage of the combustion air-inlet and/or vent systems. Please contact a qualified service technician if this occurs.

Housekeeping

▲ DANGER: Combustible materials, such as clothing, cleaning materials, or flammable liquids, etc., must not be placed against or next to the water heater.

Make sure the Flammable Vapour Sensor is not blocked or obstructed.

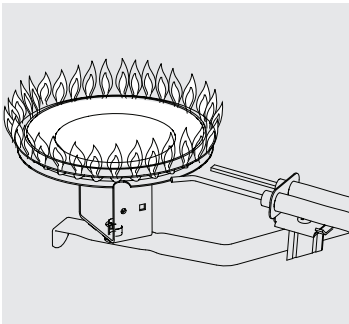
DO NOT expose the Flammable Vapour Sensor to water, solvents or cleaning agents.

Combustion Air-Inlet and Vent System Inspection

Inspect the combustion air-inlet and vent systems. Make certain that all joints are secure and that combustion air-inlet and vent system supports are all in place.

Check the outdoor combustion air-inlet and vent system terminals to see that they are free of obstructions, and that there is no damage nearby caused by condensate.

Burner Inspection



Representative burner flame pattern

Through the sight glass, visually inspect the hot surface ignitor and main burner periodically.

Inspect the hot surface ignitor with the main burner off and inspect the main burner while firing.

If any unusual burner operation is noted, the water heater should be shut off until qualified service assistance can be obtained.

▲ CAUTION: For your safety, cleaning of the burner must be performed only by qualified service personnel, as it involves the disconnection of gas piping and leak testing. The burner chamber is a sealed area. If the burner access door is removed, the burner access door gasket must be replaced.

For cleaning, remove the burner from the water heater. A vacuum cleaner can be used on the burner and floor shield inside the water heater. The burner can also be cleaned by scrubbing with mild detergent.

NOTICE: Refer to the Hydrogen Gas Caution in the Operating Instructions.

Vacation and Extended Shut-Down

If the water heater is to remain idle for an extended period of time, the power and water to the appliance should be turned off to conserve energy and prevent a build-up of dangerous hydrogen gas.

The water heater and piping should be drained if they might be subjected to freezing temperatures.

After a long shut-down period, the water heater's operation and controls should be checked by qualified service personnel. Make certain the water heater is completely filled again before placing it in operation.

NOTICE: Do not remove the anode rod from the water heater's tank, except for inspection and/or replacement, as operation with the anode rod removed will greatly shorten the life of the glass lined tank and will exclude warranty coverage.

Anode Rod

This water heater is equipped with an anode rod designed to prolong the life of the glass lined tank. The anode rod is slowly consumed, thereby eliminating or minimizing corrosion of the glass lined tank.

Water sometimes contains a high sulfate and/or mineral content and together with cathodic protection process can produce a hydrogen sulfide, or rotten egg odor in the heated water. Chlorination of the water supply should minimize the problem.

Before You Call For Service



Troubleshooting Tips

Save time and money! Review the charts on the following pages first and you may not need to call for service.

This water heater incorporates shut off devices that shuts the operation of the water heater down if undesirable combustion conditions occur, such as the presence of flammable vapours or blockage of the vent and/or combustion air-inlet systems. Please contact a Qualified Service Technician if this occurs.

Problem	Possible Causes	What To Do
Condensation	This usually happens when a new heater is filled for the first time.	This is normal, after the water in the tank warms up, the condensation will disappear. Refer to page 11 for more information.
	Moisture from the products of combustion condensing on the tank surface.	This is normal and will disappear in time. Refer to page 11 for more information.
	An undersized water heater will cause condensation.	Use a water heater size that meets the requirements of your needs.
Yellow flame or soot	Scale on top of the burner.	Contact a qualified service technician to remove scale.
	Vent and/or combustion air-inlet systems are blocked.	Remove obstruction or debris from vent and/or combustion air-inlet systems.
Unable to light the main burner	Air in gas line.	Contact a qualified service technician to purge the air from the gas line.
	Blocked vent system.	Contact a qualified service technician to evaluate vent system for blockage.
	Blocked combustion air-inlet system.	Contact a qualified service technician to evaluate the combustion air-inlet system for blockage.
	Pressure switches.	Make sure the pressure switch hoses are not "kinked".
	Wire connection(s) not fully secured.	Contact a qualified service technician to confirm wire connections.
	Combustion Shutoff Device tripped.	Combustion shutoff device(s) should be inspected by a qualified service technician.
	Gas control problem.	Contact a qualified service technician.
Main burner does not stay lit	Energy shutoff device open.	The combination gas control (thermostat) should be replaced by a qualified service technician.
	Combustion shutoff device tripped.	The combustion shutoff device should be inspected by a qualified service technician.

⚠ CAUTION: Label all wires prior to disconnection when servicing controls. Wiring errors can cause improper and dangerous operation. **VERIFY PROPER OPERATION AFTER SERVICING.**

⚠ CAUTION: For your safety **DO NOT** attempt repair of gas piping, combination gas control (thermostat), burners, vent and/or combustion air-inlet systems or other safety devices. Refer repairs to qualified service personnel.

Before You Call For Service

Troubleshooting Tips



Save time and money! Review the charts on the following pages first and you may not need to call for service. This water heater incorporates shut off devices that shut the operation of the water heater down if undesirable combustion conditions occur, such as the presence of flammable vapours or blockage of the vent and /or combustion air-inlet systems. Please contact a Qualified Service Technician if this occurs.

Problem	Possible Causes	What to Do
Rumbling noise	Scale and sediment.	Drain the water heater to remove scale and sediment from the tank. Refer to page 40.
Relief valve producing popping noise or draining	Pressure build up caused by thermal expansion in a closed system.	This is an unacceptable condition and must be corrected. Contact the water supplier or plumbing contractor on how to correct this. Do not plug the relief valve outlet.
Not enough or no hot water	Water usage may have exceeded the capacity of the water heater.	Wait for the water heater to recover after an abnormal demand.
	Low gas pressure.	Check gas supply pressure and manifold pressure.
	The combination gas control (thermostat) may be set too low.	See the "Water Temperature Setting" of the water heater section of this manual.
	Leaking or open hot water faucets.	Make sure all faucets are closed.
	Check valve error codes.	Refer to gas valve error code table on pages 44 and 45.
	"ON / OFF" switch turned off.	Turn "ON".
	Blower unplugged.	Plug in, verify power supply (120 VAC).
	Combustion Shutoff Device tripped.	Contact a qualified service technician.
Water is too hot	The combination gas control (thermostat) is set too high.	See the "Water Temperature Setting" of the water heater section of this manual.
	Combination gas control (thermostat) is defective.	Contact a qualified service technician to replace the combination gas control (thermostat).

⚠ CAUTION: Label all wires prior to disconnection when servicing controls. Wiring errors can cause improper and dangerous operation. VERIFY PROPER OPERATION AFTER SERVICING.

⚠ CAUTION: For your safety DO NOT attempt repair of gas piping, combination gas control (thermostat), burners, vent and or combustion air-inlet systems or other safety devices. Refer repairs to qualified service personnel.

Gas Valve LED Codes (50 and 65 Gallons)

LED Status	Problem	Solution
▼ A B C ● ○ ○ ● ○ ○	An open earth ground circuit to the ignition system.	<ol style="list-style-type: none"> 1. Check that the earth ground connection is properly connected. 2. Check that the ground conductor on the water heater is properly connected.
▼ A B C ● ○ ● ○ ● ○	Wiring error or a high resistance to earth ground.	<ol style="list-style-type: none"> 1. Check proper connection of line neutral and hot wires. 2. Check that the water heater is securely connected to earth ground.
▼ A B C ● ○ ● ○ ○ ○	Pressure switch remained closed longer than 5 seconds after the call for heat began.	<ol style="list-style-type: none"> 1. Verify that the wiring to the pressure switch(es) is correct. 2. Replace the pressure switch(es).
▼ A B C ● ○ ● ○ ○ ●	Pressure switch remained opened longer than 5 seconds after the combustion blower was energized.	<ol style="list-style-type: none"> 1. Verify that the wiring to the pressure switch(es) is correct. 2. Verify that the wiring to the pressure switch(es) is connected correctly. 3. Check the vent and / or combustion air-inlet systems for obstructions.
▼ A B C ● ○ ● ○ ● ●	Error in the hot surface ignitor circuit.	<ol style="list-style-type: none"> 1. Check that all wiring is correct and secure. 2. Replace hot surface ignitor.
▼ A B C ● ○ ○ ● ● ○	System in lockout.	<ol style="list-style-type: none"> 1. Gas supply is off or too low to operate. Turn on the gas supply and / or increase the inlet gas supply pressure. 2. Hot surface ignitor not positioned correctly. 3. Low voltage to the water heater. Increase supply voltage to rated voltage. 4. Electric polarity to unit is incorrect - test and correct. 5. Check the vent and/or the combustion air-inlet systems for obstructions.
▼ A B C ● ○ ○ ○ ● ●	Problem in the combination gas valve driver circuit.	<ol style="list-style-type: none"> 1. Turn power to the water heater off for 10 seconds and then back on. 2. Replace the combination gas control (thermostat)
▼ A B C ● ○ ● ● ● ○	Problem with the internal circuit.	<ol style="list-style-type: none"> 1. Turn power to the water heater off for 10 seconds and then back on. 2. Replace the combination gas control (thermostat)
▼ A B C ● ● ● ● ● ●	Problem with the internal circuit.	<ol style="list-style-type: none"> 1. Turn power to the water heater off for 10 seconds and then back on. 2. Replace the combination gas control (thermostat)
▼ A B C ● ○ ○ ○ ● ○	Flame signal sensed out of proper sequence.	<ol style="list-style-type: none"> 1. Replace the combination gas control (thermostat)
▼ A B C ● ○ ○ ● ● ●	ECO activated.	<ol style="list-style-type: none"> 1. Replace the combination gas control (thermostat)
▼ A B C ● ○ ● ● ○ ○	One of the temperature adjust buttons stuck closed.	<ol style="list-style-type: none"> 1. Press and release each of the buttons once. 2. Replace the combination gas control (thermostat).
▼ A B C ● ○ ● ● ○ ●	Water temperature sensor is either open or short circuited.	<ol style="list-style-type: none"> 1. Check that all wiring is correct and secure. 2. Replace the combination gas control (thermostat)
▼ A B C ● ○ ○ ● ○ ●	Unit shuts down.	<ol style="list-style-type: none"> 1. Check for correct wiring to FV sensor. 2. Check for open circuits to FV sensor. 3. Replace FV sensor.
▼ A B C ● ○ ○ ○ ○ ●	Unit shuts down and in lockout.	<ol style="list-style-type: none"> 1. FV sensor detected presence of flammable vapours. 2. Contact a service agency.

⚠ CAUTION: Label all wires prior to disconnection when servicing controls. Wiring errors can cause improper and dangerous operation. VERIFY PROPER OPERATION AFTER SERVICING.

⚠ CAUTION: For your safety DO NOT attempt repair of gas piping, combination gas control thermostat, burners, vent and/or combustion air-inlet systems or other safety devices. Refer repairs to qualified service personnel.

Gas Valve LED Codes (75 Gallons)

LED Status	Problem	Solution
▼ B C D E F ● ○ ○ ● ○ ○	An open earth ground circuit to the ignition system.	<ol style="list-style-type: none"> 1. Check that the earth ground connection is properly connected. 2. Check that the ground conductor on the water heater is properly connected.
▼ B C D E F ● ○ ● ○ ● ○	Wiring error or a high resistance to earth ground.	<ol style="list-style-type: none"> 1. Check proper connection of line neutral and hot wires. 2. Check that the water heater is securely connected to earth ground.
▼ B C D E F ● ○ ● ○ ○ ○	Pressure switch remained closed longer than 5 seconds after the call for heat began.	<ol style="list-style-type: none"> 1. Verify that the wiring to the pressure switch(es) is correct. 2. Replace the pressure switch(es).
▼ B C D E F ● ○ ● ○ ○ ●	Pressure switch remained opened longer than 5 seconds after the combustion blower was energized.	<ol style="list-style-type: none"> 1. Verify that the wiring to the pressure switch(es) is correct. 2. Verify that the wiring to the pressure switch(es) is connected correctly. 3. Check the vent and / or combustion air-inlet systems for obstructions.
▼ B C D E F ● ○ ● ○ ● ●	Error in the hot surface ignitor circuit.	<ol style="list-style-type: none"> 1. Check that all wiring is correct and secure. 2. Replace hot surface ignitor.
▼ B C D E F ● ○ ○ ● ● ○	System in lockout.	<ol style="list-style-type: none"> 1. Gas supply is off or too low to operate. Turn on the gas supply and / or increase the inlet gas supply pressure. 2. Hot surface ignitor not positioned correctly. 3. Low voltage to the water heater. Increase supply voltage to rated voltage. 4. Electric polarity to unit is incorrect - test and correct. 5. Check the vent and/or the combustion air-inlet systems for obstructions.
▼ B C D E F ● ○ ○ ○ ● ●	Problem in the combination gas valve driver circuit.	<ol style="list-style-type: none"> 1. Turn power to the water heater off for 10 seconds and then back on. 2. Replace the combination gas control (thermostat).
▼ B C D E F ● ○ ● ● ● ○	Problem with the internal circuit.	<ol style="list-style-type: none"> 1. Turn power to the water heater off for 10 seconds and then back on. 2. Replace the combination gas control (thermostat).
▼ B C D E F ● ● ● ● ● ●	Problem with the internal circuit.	<ol style="list-style-type: none"> 1. Turn power to the water heater off for 10 seconds and then back on. 2. Replace the combination gas control (thermostat).
▼ B C D E F ● ○ ○ ○ ● ○	Flame signal sensed out of proper sequence.	<ol style="list-style-type: none"> 1. Replace the combination gas control (thermostat).
▼ B C D E F ● ○ ○ ● ● ●	ECO activated.	<ol style="list-style-type: none"> 1. Allow water temperature in the tank to cool off, then turn power to the water heater off for 10 seconds and then back on. 2. If error code re-occurs, reduce the thermostat setting. 3. Replace the combination gas control (thermostat).
▼ B C D E F ● ○ ● ● ○ ○	One of the temperature adjust buttons stuck closed.	<ol style="list-style-type: none"> 1. Press and release each of the buttons once. 2. Replace the combination gas control (thermostat).
▼ B C D E F ● ○ ● ● ○ ●	Water temperature sensor is either open or short circuited.	<ol style="list-style-type: none"> 1. Check that all wiring is correct and secure. 2. Replace the combination gas control (thermostat).
▼ B C D E F ● ○ ○ ● ○ ●	Unit shuts down.	<ol style="list-style-type: none"> 1. Check for correct wiring to FV sensor. 2. Check for open circuits to FV sensor. 3. Replace FV sensor.
▼ B C D E F ● ○ ○ ○ ○ ●	Unit shuts down and in lockout.	<ol style="list-style-type: none"> 1. FV sensor detected presence of flammable vapours. 2. Contact a service agency.

⚠ CAUTION: Label all wires prior to disconnection when servicing controls. Wiring errors can cause improper and dangerous operation. VERIFY PROPER OPERATION AFTER SERVICING.

⚠ CAUTION: For your safety DO NOT attempt repair of gas piping, combination gas control thermostat, burners, vent and/or combustion air-inlet systems or other safety devices. Refer repairs to qualified service personnel.

Replacement Parts

For 50, 65 and 75 Gallon Models equipped for use with Natural or Liquefied Petroleum/LP gas.

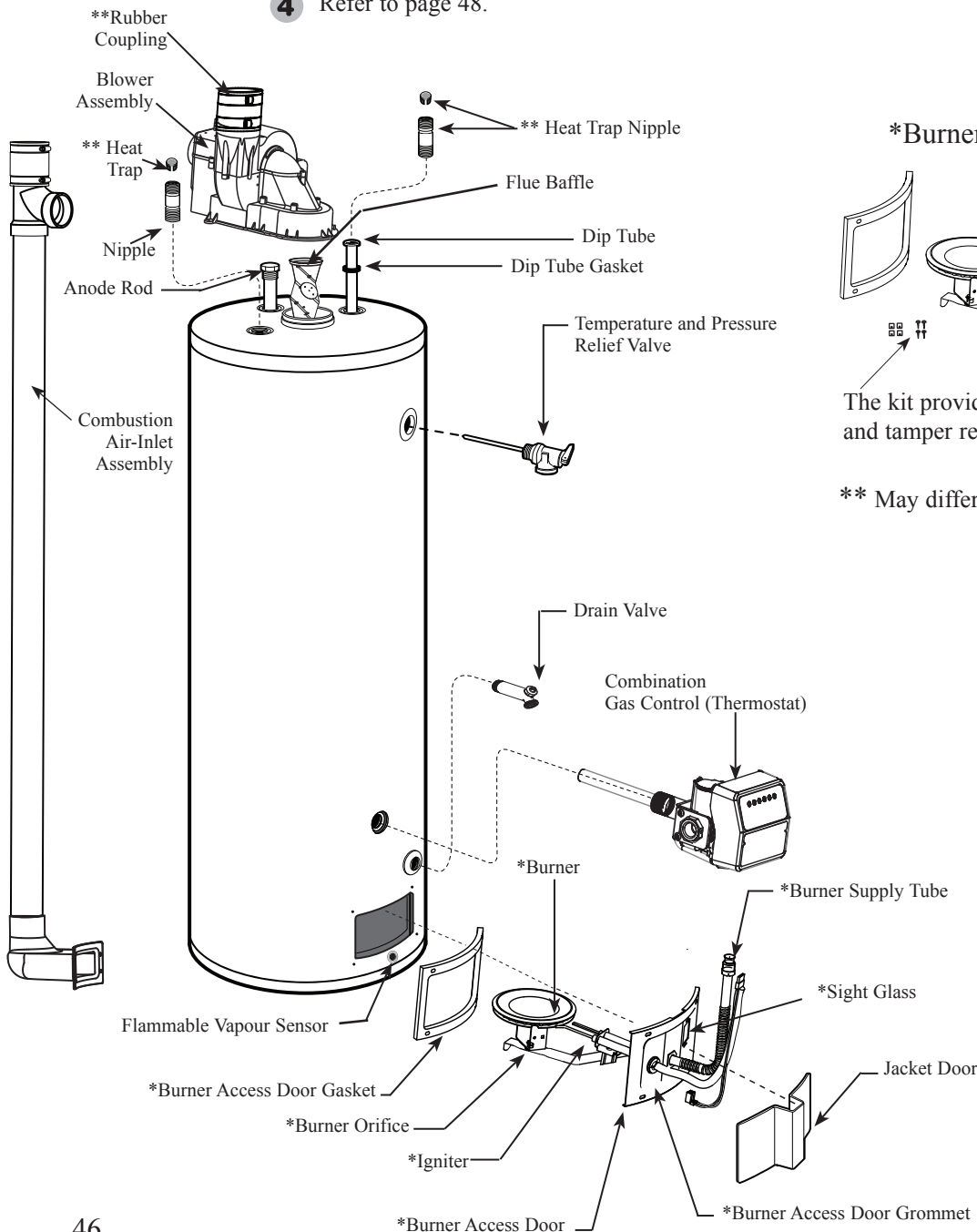
Instructions For Placing a Parts Order

All parts orders should include:

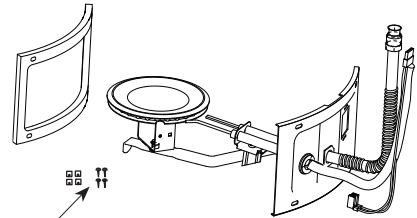
- 1 The model and serial number of the water heater from the rating plate.
- 2 Specify type of gas (Natural or Liquefied Petroleum/LP gas) as marked on the rating plate.
- 3 Part description (as noted below) and number of parts desired.
- 4 Refer to page 48.

CAUTION: For your safety, **DO NOT** attempt repair of gas piping, gas control (thermostat), burners, vent connectors or other safety devices. Refer repairs to qualified service personnel.

Use only original equipment replacement parts.



*Burner Assembly Kit



The kit provides extra speed clips and tamper resistant screws.

** May differ in actual appearance.

Notes:

IF YOU NEED SERVICE



1. Should you have any questions about your new water heater, or if it requires adjustment, repair, or routine maintenance, it is suggested that you first contact your installer, plumbing contractor or previously agreed upon service agency. In the event the firm has moved, or is unavailable, refer to the telephone directory, commercial listings or local utility for qualified service assistance.
2. Should your problem not be solved to your complete satisfaction, you should then contact the Manufacturer's National Service Department at the following address:

1241 Carwood Court
Montgomery, Alabama 36117
Phone: 1-800-432-8373.

Rheem Canada Ltd
125 Edgeware, Unit 1
Brampton, Ontario L6Y 0P5

Technical Support: 1-800-432-8373

Warranty: 1-800-263-8342

When contacting the manufacturer, the following information will be requested:

- a. Model and serial number of the water heater as shown on the rating plate attached to the jacket of the heater.
 - b. Address where the water heater is located and physical location.
 - c. Name and address of installer and any service agency who performed service on the water heater.
 - d. Date of original installation and dates any service work was performed.
 - e. Details of the problems as you can best describe them.
 - f. List of people, with dates, who have been contacted regarding your problem.
-

COMMENT OBTENIR L'ASSISTANCE DE SERVICE



1. Si vous avez une question quelconque au sujet de votre chauffe-eau neuf ou s'il nécessite ajustement, réparation ou entretien routinier, il est suggéré de communiquer d'abord avec l'installateur, l'entrepreneur de plomberie ou l'agence de service précédemment acceptée. Dans le cas où la compagnie a démenagé ou n'est pas disponible, consulter les listes commerciales de l'annuaire téléphonique pour obtenir une assistance de service qualifiée.
2. Si votre problème n'est pas résolu à votre satisfaction complète, veuillez communiquer avec le département de service du fabricant à l'adresse suivante :

1241 Carwood Court
Montgomery, Alabama 36117
Phone: 1-800-432-8373.

Rheem Canada Ltd
125 Edgeware, Unit 1
Brampton, Ontario L6Y 0P5

Soutien technique 1-800-432-8373
Garantie: 1-800-263-8342

Lors de tout contact avec le fabricant, les renseignements suivants doivent être disponibles:

- a. Numéros de modèle et de série du chauffe-eau tel qu'indiqué sur la plaque signalétique collée sur l'enveloppe du chauffe-eau.
- b. L'adresse où le chauffe-eau est situé et peut être examiné.
- c. Nom et adresse de l'installateur ou de l'agence de service ayant effectué l'entretien du chauffe-eau.
- d. Date de l'installation originale et dates de tout service d'entretien effectué.
- e. Détails du problème au mieux de votre connaissance.
- f. Liste des personnes, avec les dates, qui ont été contactées au sujet de votre problème.

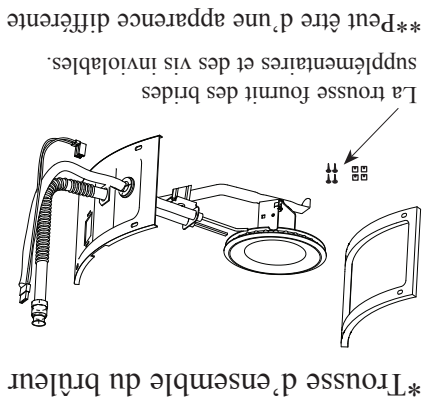
Pièces de rechange

Pour les modèles de 50, 65 et 75 gallons équipés pour usage gaz naturel ou gaz liquide.

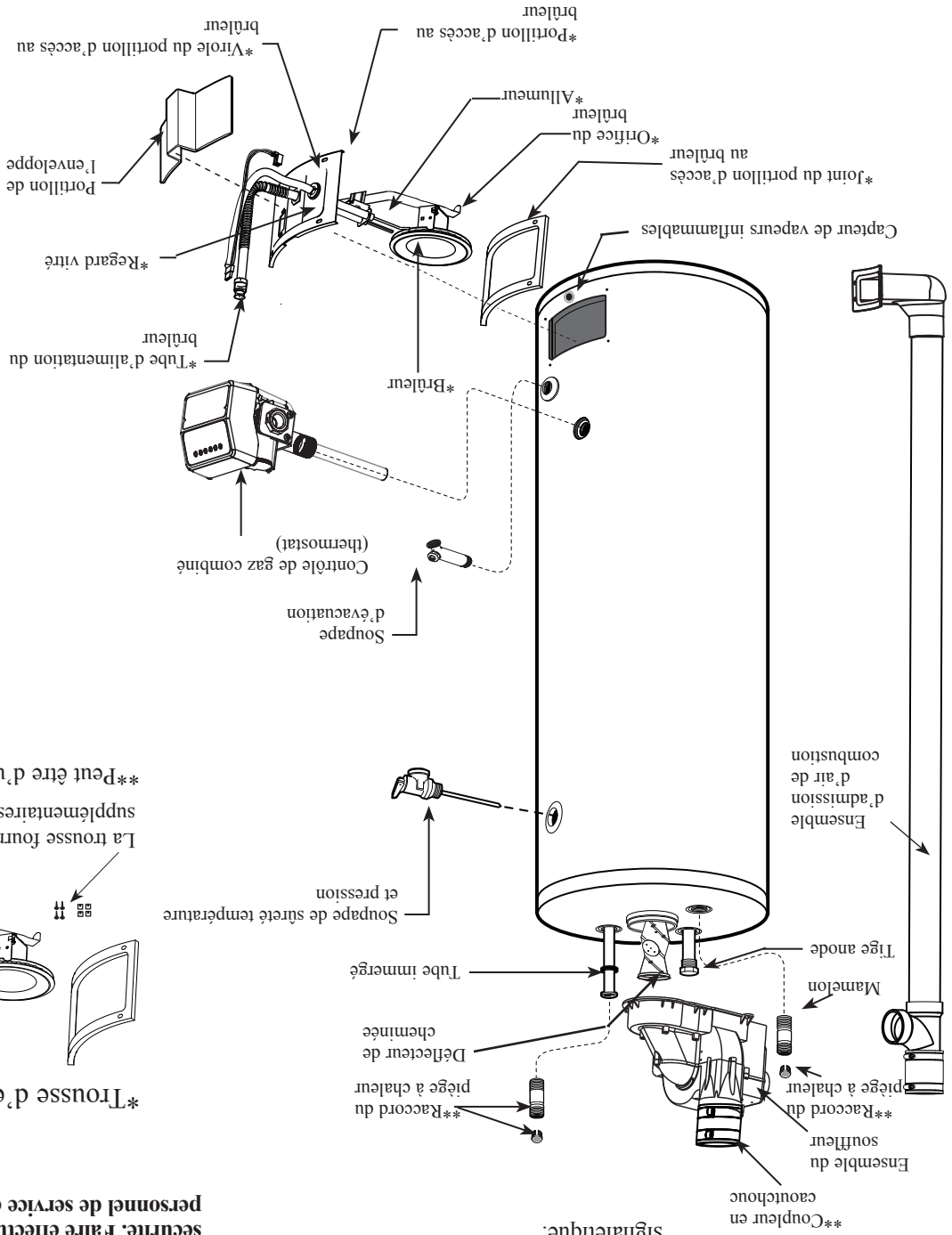
Directives pour placer une commande de pièces

Toutes les commandes de pièces doivent comprendre :

- 1 Le numéro de modèle et de série du chauffe-eau, indiqué sur la plaque eau, indiqué sur la plaque signalétique.
 - 2 Préciser le type de gaz (gaz naturel ou liquide), tel qu'indiqué sur la plaque signalétique.
- ⚠ **ATTENTION :** Dans le but de votre sécurité, NE PAS tenter de réparer les canalisations de gaz, le panneau de contrôle (thermostat), le brûleur, les connecteurs d'évent ou autres dispositifs de sécurité. Faire effectuer les réparations par un personnel de service qualifié.
- 3 Description des pièces (tel qu'indiqué ci-dessous) et le nombre de pièces voulues.
 - 4 Consulter la page 48.



**Peut être d'une apparence différente



Codes DEL du système de gaz (75 Gallons)

Status DEL	Problème	Solution
▲ B C D E F ● ● ● ● ● ● ● ●	Un circuit de mise à la terre ouvert dans le système d'allumage.	1. Vérifier que la connexion de mise à la terre est adéquatement connectée. 2. Vérifier que le conducteur de mise à la terre du chauffe-eau est adéquatement connecté.
▲ B C D E F ● ● ● ● ● ● ● ●	Erreur de câblage ou résistance élevée de mise à la terre.	1. Vérifier la bonne connexion des fils neutre et sous tension. 2. Vérifier que le chauffe-eau est adéquatement connecté à la terre.
▲ B C D E F ● ● ● ● ● ● ● ●	Le pressostat reste fermé plus longtemps que 5 secondes après que la demande de chaleur ait commencé.	1. Vérifier que le câblage du pressostat est correct. 2. Remplacer le pressostat.
▲ B C D E F ● ● ● ● ● ● ● ●	Le pressostat reste ouvert plus longtemps que 5 secondes après que le souffleur de combustion ait été mis en service.	1. Vérifier que le câblage du pressostat est correct. 2. Vérifier que le câblage au pressostat est adéquatement connecté. 3. Vérifier qu'il n'y a aucune obstruction dans les systèmes d'évent et/ou d'admission d'air de combustion.
▲ B C D E F ● ● ● ● ● ● ● ●	Erreur du circuit de l'allumeur à surface chaude.	1. Vérifier que tout le câblage est correct et sécuritaire. 2. Remplacer l'allumeur à surface chaude.
▲ B C D E F ● ● ● ● ● ● ● ●	Système verrouillé.	1. L'alimentation de gaz est fermée ou trop faible pour fonctionner. Ouvrir l'alimentation de gaz et/ou augmenter la pression d'alimentation d'entrée de gaz. 2. L'allumeur de surface chaude n'est pas correctement positionné. 3. Faible tension au chauffe-eau. Augmenter la tension d'alimentation à la tension prévue. 4. La polarité électrique de l'appareil est incorrecte. Tester et corriger. 5. Le dispositif d'arrêt de combustion s'est déclenché, communiquer avec l'agence de service.
▲ B C D E F ● ● ● ● ● ● ● ●	Problème dans le circuit de la soupape de gaz.	1. Mettre le chauffe-eau hors tension pendant 10 secondes puis le remettre sous tension. 2. Remplacer la soupape de gaz combinée (thermostat).
▲ B C D E F ● ● ● ● ● ● ● ●	Problème avec le circuit interne.	1. Mettre le chauffe-eau hors tension pendant 10 secondes puis le remettre sous tension. 2. Remplacer la soupape de gaz combinée (thermostat).
▲ B C D E F ● ● ● ● ● ● ● ●	Signal de flamme captée hors du fonctionnement séquentiel.	1. Remplacer la soupape de gaz combinée (thermostat).
▲ B C D E F ● ● ● ● ● ● ● ●	ECO activé.	1. Remplacer la soupape de gaz combinée (thermostat).
▲ B C D E F ● ● ● ● ● ● ● ●	L'un des boutons de réglage de la température est fermé.	1. Appuyer et relâcher chacun des boutons une seule fois. 2. Remplacer la soupape de gaz combinée (thermostat).
▲ B C D E F ● ● ● ● ● ● ● ●	Le capteur de température de l'eau est soit ouvert ou court-circuité.	1. Vérifier que tout le câblage est correct et sécuritaire. Remplacer la soupape de gaz combinée (thermostat).
▲ B C D E F ● ● ● ● ● ● ● ●	L'appareil s'arrête.	1. Vérifier le câblage du capteur de vapeurs inflammables. 2. Vérifier des circuits ouverts au capteur de vapeurs inflammables. 3. Remplacer le capteur de vapeurs inflammables.
▲ B C D E F ● ● ● ● ● ● ● ●	L'unité s'arrête et se verrouille.	1. Le capteur de vapeurs inflammables a détecté la présence de vapeurs inflammables. 2. Communiquer avec une agence de service.

ATTENTION : Lors de l'entretien des contrôles, étiqueter tous les fils avant de les déconnecter. Des erreurs de câblage peuvent causer un fonctionnement inadéquat et dangereux. VEUILLEZ VÉRIFIER LE BON FONCTIONNEMENT APRÈS TOUT ENTRETIEN.

ATTENTION : Dans le but de votre sécurité, NE PAS tenter de réparer les canalisations de gaz, la soupape de gaz combinée (thermostat), les brûleurs, les connecteurs d'évent et/ou les systèmes d'admission d'air de combustion ou autres dispositifs de sécurité. Faire effectuer les réparations par le personnel de service qualifié.

Codes DEL du système de gaz (50 et 65 Gallons)

Status DEL	Problème	Solution
▲ ABC ●●●●●●	Un circuit de mise à la terre ouvert dans le système d'allumage.	1. Vérifier que la connexion de mise à la terre est adéquatement connectée. 2. Vérifier que le conducteur de mise à la terre du chauffe-eau est adéquatement connecté.
▲ ABC ●●●●●●	Erreur de câblage ou résistance élevée de mise à la terre.	1. Vérifier la bonne connexion des fils neutre et sous tension. 2. Vérifier que le chauffe-eau est adéquatement connecté à la mise à la terre.
▲ ABC ●●●●●●	Le pressostat reste fermé plus longtemps que 5 secondes après que la demande de chaleur ait commencé.	1. Vérifier que le câblage du pressostat est correct. 2. Remplacer le pressostat.
▲ ABC ●●●●●●	Le pressostat reste ouvert plus longtemps que 5 secondes après que le souffleur de combustion ait été mis en service.	1. Vérifier que le câblage du pressostat est correct. 2. Vérifier que le câblage au pressostat est connecté adéquatement. 3. Vérifier qu'il n'y a aucune obstruction dans les systèmes d'évent et/ou d'admission d'air de combustion.
▲ ABC ●●●●●●	Erreur du circuit de l'allumeur à surface chaude.	1. Vérifier que tout le câblage est correct et sécuritaire. 2. Remplacer l'allumeur à surface chaude.
▲ ABC ●●●●●●	Système verrouillé.	1. L'alimentation de gaz est fermée ou trop faible pour fonctionner. Ouvrir l'alimentation de gaz et/ou augmenter la pression d'alimentation d'entrée de gaz. 2. L'allumeur de surface chaude n'est pas correctement positionné. 3. Faible tension au chauffe-eau. Augmenter la tension d'alimentation à la tension prévue. 4. La polarité électrique de l'appareil est incorrecte. Tester et corriger. 5. Le dispositif d'arrêt de combustion s'est déclenché, communiquer avec l'agence de service.
▲ ABC ●●●●●●	Problème dans le circuit de la soupape de gaz.	1. Mettre le chauffe-eau hors tension pendant 10 secondes puis le remettre sous tension. 2. Remplacer la soupape de gaz combinée (thermostat).
▲ ABC ●●●●●●	Problème avec le circuit interne.	1. Mettre le chauffe-eau hors tension pendant 10 secondes puis le remettre sous tension. 2. Remplacer la soupape de gaz combinée (thermostat).
▲ ABC ●●●●●●	Signal de flamme captée hors du fonctionnement séquentiel.	1. Remplacer la soupape de gaz combinée (thermostat).
▲ ABC ●●●●●●	ECO active.	1. Remplacer la soupape de gaz combinée (thermostat).
▲ ABC ●●●●●●	L'un des boutons de réglage de la température est fermé.	1. Appuyer et relâcher chacun des boutons une seule fois. 2. Remplacer la soupape de gaz combinée (thermostat).
▲ ABC ●●●●●●	Le capteur de température de l'eau est soit ouvert ou court-circuité.	1. Vérifier que tout le câblage est correct et sécuritaire. Remplacer la soupape de gaz combinée (thermostat).
▲ ABC ●●●●●●	L'appareil s'arrête.	1. Vérifier le câblage du capteur de vapeurs inflammables. 2. Vérifier des circuits ouverts au capteur de vapeurs inflammables. 3. Remplacer le capteur de vapeurs inflammables.
▲ ABC ●●●●●●	L'unité s'arrête et se verrouille.	1. Le capteur de vapeurs inflammables a détecté la présence de vapeurs inflammables. 2. Communiquer avec une agence de service.

ATTENTION : Lors de l'entretien des contrôles, étiqueter tous les fils avant de les déconnecter. Des erreurs de câblage peuvent causer un fonctionnement inadéquat et dangereux. VEUILLEZ VÉRIFIER LE BON FONCTIONNEMENT APRÈS TOUT ENTRETIEN.

ATTENTION : Dans le but de votre sécurité, NE PAS tenter de réparer les canalisations de gaz, la soupape de gaz combinée (thermostat), les brûleurs, les connecteurs d'évent et/ou les systèmes d'admission d'air de combustion ou autres dispositifs de sécurité. Faire effectuer les réparations par le personnel de service qualifié.

Avant d'appeler le service d'entretien

Conseils de recherche des pannes



Économisez du temps et de l'argent. Examinez les tableaux des pages suivantes d'abord et vous pourrez ne pas avoir besoin d'appeler le technicien.

Ce chauffe-eau comprend un dispositif d'arrêt qui arrête le fonctionnement du chauffe-eau dans le cas de combustion dangereuse, comme la présence de vapeurs inflammables ou d'une obstruction des systèmes de ventilation et/ou d'admission d'air de combustion. Veuillez communiquer avec un technicien de service qualifié si cette situation se produit.

Problème	Causes possibles		Que faire
Bruit de grondement	Tarte et sédiment.		Vider le chauffe-eau pour éliminer le tartre et les sédiments du réservoir. Voir la page 40.
La soupape de sûreté produit un bruit de claquement ou se vide	Accumulation de pression causée par une expansion thermique dans un système fermé.		C'est une condition inacceptable qui doit être corrigée. Communiquer avec un fournisseur d'eau ou un entrepreneur de plomberie pour corriger cette situation. Ne pas boucher l'orifice de sortie de la soupape de sûreté.
Insuffisamment d'eau chaude ou pas d'eau chaude	L'usage de l'eau peut avoir excédé la capacité du chauffe-eau.	Attendre que le chauffe-eau récupère après une demande anormale.	Vérifier la pression d'alimentation de gaz et la pression au collecteur.
	La soupape de gaz combinée (thermostat) peut être réglée trop basse.	Robinetts d'eau chaude ouverts ou fuyants.	Voir le « Réglage de la température de l'eau » dans le chapitre du chauffe-eau de ce manuel.
	S'assurer que tous les robinets sont fermés.	Vérifier les erreurs de la soupape de gaz.	Se référer au tableau de codes d'erreurs de la soupape à gaz aux pages 44 et 45.
	Contacteur « MARCHÉ/ARRÊT » (ON/OFF) est sur « off ».	Le souffleur est débranché.	Le mettre sur « ON » (MARCHÉ).
			Le brancher. Vérifier l'alimentation électrique (120VAC).
	Système d'arrêt de combustion déclenché.	Communiquer un technicien de service qualifié.	Communiquer un technicien de service qualifié.
L'eau est trop chaude	La soupape de gaz combinée (thermostat) est à un réglage trop élevé.	Contrôle de gaz (thermostat).	Consulter le « Réglage de la température de l'eau » dans le chapitre du chauffe-eau de ce manuel. Communiquer un technicien de service qualifié pour remplacer la soupape de gaz combinée (thermostat).

ATTENTION : Lors de l'entretien des contrôles, étiqueter tous les fils avant de les déconnecter. Des erreurs de câblage peuvent causer un fonctionnement inadéquat et dangereux. VEUILLEZ VÉRIFIER LE BON FONCTIONNEMENT APRÈS TOUT ENTRETIEN.

ATTENTION : Dans le but de votre sécurité, NE PAS tenter de réparer les canalisations de gaz, la soupape de gaz combinée (thermostat), les brûleurs, les connecteurs d'évent et/ou les systèmes d'admission d'air de combustion ou autres dispositifs de sécurité. Faire effectuer les réparations par le personnel de service qualifié.

Avant d'appeler le service d'entretien

Conseils de recherche des pannes



Économisez du temps et de l'argent. Examinez les tableaux des pages suivantes d'abord et vous pourrez ne pas avoir besoin d'appeler le technicien.

Ce chauffe-eau comprend un dispositif d'arrêt qui arrête le fonctionnement du chauffe-eau dans le cas de combustion dangereuse, comme la présence de vapeurs inflammables ou d'une obstruction des systèmes de ventilation et/ou d'admission d'air de combustion. Veuillez communiquer avec un technicien de service qualifié si cette situation se produit.

Problème	Causes possibles		Que faire
Condensation	Ceci se produit normalement lorsqu'un chauffe-eau neuf est rempli pour la première fois.	Ceci est normal. Après que l'eau dans le réservoir se chauffe, la condensation disparaîtra. Consulter la page 11 pour de plus amples renseignements.	Ceci est normal et elle disparaîtra. Consulter la page 11 pour de plus amples renseignements.
Flamme jaune	Accumulation de tartre sur le brûleur.	Enlever l'obstruction et les débris des systèmes d'admission d'air de combustion sont obstrués.	Communiquer un technicien de service qualifié pour enlever le tartre.
	Un chauffe-eau d'un format trop petit causera de la condensation.		Utiliser un chauffe-eau du format correspondant à vos besoins.
Impossible d'allumer le brûleur principal	Air dans la canalisation de gaz.	Communiquer un technicien de service qualifié pour purger l'air de la canalisation de gaz.	Communiquer un technicien de service qualifié pour évaluer l'obstruction du système d'admission d'air.
	Système d'admission d'air de combustion obstrué.	Communiquer un technicien de service qualifié pour évaluer l'obstruction du système d'admission d'air.	S'assurer que boyau du pressostat n'est pas « coincé ».
	Pressostat.		Communiquer un technicien de service qualifié pour confirmer la connexion de câblage.
	Connexion de câblage pas totalement sécurisée.	Communiquer un technicien de service qualifié pour inspecter le dispositif d'arrêt de combustion.	Communiquer un technicien de service qualifié pour problème de contrôle de gaz.
	Dispositif d'arrêt de combustion déclenché.	Communiquer un technicien de service qualifié pour inspecter le dispositif d'arrêt de combustion.	Dispositif de coupure d'énergie
	Le brûleur de la veilleuse ne reste ouvert.	Dispositif de coupure d'énergie	La soupape de gaz combinée (thermostat) doit être remplacée par un technicien de service qualifié.
	pas allumé	Dispositif d'arrêt de combustion déclenché.	Le dispositif d'arrêt de combustion doit être inspecté par un technicien de service qualifié.

ATTENTION : Lors de l'entretien des contrôles, étiqueter tous les fils avant de les déconnecter. Des erreurs de câblage peuvent causer un fonctionnement inadéquat et dangereux. VEUILLEZ VÉRIFIER LE BON FONCTIONNEMENT APRÈS TOUT ENTRETIEN.

ATTENTION : Dans le but de votre sécurité, NE PAS tenter de réparer les canalisations de gaz, la soupape de gaz combinée (thermostat), les brûleurs, les connecteurs d'évent et/ou les systèmes d'admission d'air de combustion ou autres dispositifs de sécurité. Faire effectuer les réparations par le personnel de service qualifié.

▲ DANGER : Des produits combustibles comme vêtements, produits de nettoyage ou liquides inflammables, etc., ne doivent pas être placés à proximité du chauffe-eau.

Entretien

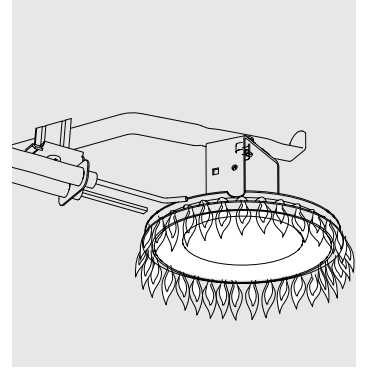
S'assurer que le capteur de vapeurs inflammables n'est pas bloqué ni obstrué.
NE PAS exposer le capteur de vapeurs inflammables aux agents de nettoyage.

Inspection des systèmes d'évent et d'admission d'air de combustion

Inspecter les systèmes d'évent et d'admission d'air de combustion. S'assurer que tous les joints sont sécurisés et que tous les supports d'évent et d'admission d'air de combustion sont en place.

Inspection du brûleur

À travers le voyant vitré, inspecter visuellement l'allumeur à surface chaude et le brûleur principal.
Inspecter l'allumeur à surface chaude avec le brûleur principal arrêté et inspecter le brûleur principal pendant qu'il fonctionne.
L'utilisateur devrait inspecter visuellement le fonctionnement du brûleur périodiquement. La flamme doit être uniforme et d'une couleur bleue.



Si l'on remarque un fonctionnement inhabituel du brûleur, le chauffe-eau doit être fermé jusqu'à ce qu'une assistance de service qualifiée soit obtenue.

▲ ATTENTION: Dans le but de votre sécurité, le nettoyage du brûleur principal doit être effectué uniquement par du personnel de service qualifié, étant donné qu'il nécessite la déconnexion de la canalisation de gaz et une recherche des fuites. La chambre de combustion est un endroit scellé. Si le portillon d'accès au brûleur est enlevé, le joint du portillon d'accès au brûleur doit être remplacé.
Pour le nettoyage, enlever le brûleur du chauffe-eau. Un aspirateur peut être utilisé sur le brûleur et le sol de l'intérieur du chauffe-eau. Le brûleur peut aussi être nettoyé en le frottant avec un détergent doux.

Vacances et fermeture de longue durée

AVIS : Consulter l'avertissement pour gaz hydrogène dans les directives de fonctionnement.

Si le chauffe-eau doit rester sans être utilisé pendant une période prolongée, l'alimentation électrique et en eau à l'appareil doivent être fermées pour conserver l'énergie et éviter une accumulation de gaz hydrogène dangereux. Le chauffe-eau et les canalisations doivent être vidangés s'ils risquent d'être soumis à des températures inférieures au gel.

Tige anode

Ce chauffe-eau est équipé d'une tige anode conçue pour prolonger la durée de vie du réservoir double de verre. La tige anode se consomme lentement, éliminant ou minimisant la corrosion du réservoir double de verre.

AVIS : Ne pas enlever la tige anode du réservoir du chauffe-eau, sauf pour l'inspection et/ou le remplacement, étant donné que le fonctionnement sans tige anode risque de réduire considérablement la durée de vie du réservoir double de verre et annulera la protection de garantie.

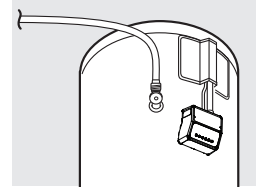
Nettoyage et entretien du chauffe-eau

Entretien et nettoyage du chauffe-eau

▲ ATTENTION : Fermer l'alimentation du gaz au chauffe-eau à la soupape d'arrêt manuelle avant de vidanger le chauffe-eau.

▲ DANGER : Avant de faire fonctionner manuellement la soupape de sûreté, s'assurer que personne ne sera exposé au danger de tout contact avec l'eau chaude sortant de cette soupape. L'eau peut être suffisamment chaude pour créer un risque d'éboullantage. L'eau évacuée peut être dirigée vers un drain adéquat pour éviter toutes blessures ou dégâts. Avant de fermer l'alimentation d'eau froide au chauffe-eau, ouvrir le robinet d'eau chaude permettant à suffisamment d'eau froide de pénétrer dans le réservoir pour éviter le risque de blessures par ébullantage lors de la vidange du chauffe-eau. Lorsque l'eau du réservoir n'est plus chaude, fermer l'alimentation d'eau froide au chauffe-eau. Ouvrir le robinet d'eau chaude ou soulever la poignée de la soupape de sûreté pour permettre à l'air de pénétrer dans le réservoir.

Fixer un tuyau d'arrosage à la soupape de vidange du chauffe-eau et diriger le jet d'eau vers un drain adéquat où il ne causera aucun dégât. Ouvrir la soupape de vidange.



Entretien préventif routinier

Adéquatement entretenu, votre chauffe-eau vous assurera des années de service fiable et sans problème.

Il est recommandé qu'une inspection périodique du contrôle du gaz (thermostat) du brûleur, de la cheminée interne et du système de ventilation soit effectuée par du personnel de service qualifié dans les réparations d'appareils au gaz.

Inspecter les systèmes d'évent et d'admission d'air de combustion. S'assurer que tous les joints sont sécurisés et que tous les supports des tuyaux de l'évent et de l'admission de combustion sont en place. Vérifier les sorties d'évent et d'admission d'air de combustion pour s'assurer qu'il n'y a aucune obstruction et qu'il n'y a aucun dégât causé aux abords par le condensat.

Périodiquement, soulever et relâcher le levier de la soupape de sûreté de pression qui se trouve sur la canalisation de sortie d'eau chaude du chauffe-eau, pour s'assurer que la soupape fonctionne librement. Laisser plusieurs gallons sortir par la canalisation de vidange vers un drain ouvert.

AVIS: Si la soupape de sûreté de pression du chauffe-eau vidange périodiquement, cela peut être causé par une expansion thermique dans un système d'eau fermé. Communiquer avec le fournisseur de l'eau ou votre entrepreneur de plomberie pour corriger cette situation.

NE PAS boucher la sortie de la soupape de sûreté.

Le réservoir d'un chauffe-eau peut servir de bassin de sédimentation pour les solides dangereux.

▲ DANGER: Avant de faire fonctionner manuellement la soupape de sûreté, s'assurer que personne ne sera exposé au danger de tout contact avec l'eau chaude dégagée par la soupape. L'eau peut être suffisamment chaude pour créer un risque d'éboullantage. L'eau évacuée peut être dirigée vers un drain adéquat pour éviter toute blessure ou tout dégât.

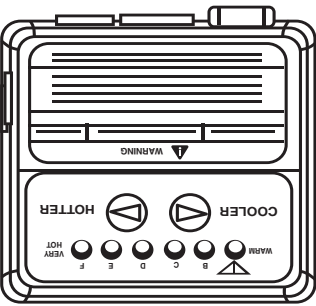
▲ DANGER: De l'eau très chaude augmentant le risque d'éboullantage par eau chaude.

▲ DANGER: Si l'entretien préventif recommandé n'est pas effectué conformément aux directives, le bon fonctionnement de ce chauffe-eau peut être endommagé ce qui peut causer des risques d'asphyxie par monoxyde de carbone, des températures d'eau excessivement chaudes et d'autres risques dangereux.

S'assurer que l'alimentation en eau froide est fermée avant d'enlever la tige anode.

Ce chauffe-eau comporte un dispositif d'arrêt de combustion qui arrête le fonctionnement du chauffe-eau si des conditions de combustion indésirables se produisent, comme la présence de vapeurs inflammables ou une obstruction des orifices d'admission d'air de combustion. Veuillez communiquer avec un technicien de service qualifié si cette situation se produit.

Chronologie de fonctionnement...



▲ = approx. 120°F (49°C)		● =		○ =			
▲ = approx. 120°F (49°C)		●	○	○	○		
B = approx. 130°F (54°C)		●	○	○	○		
C = approx. 140°F (60°C)		○	●	○	○		
D = approx. 150°F (66°C)		○	○	○	○		
E = approx. 160°F (71°C)		○	○	○	○		
F = approx. 170°F (77°C)		○	○	○	○		
F = approx. 180°F (82°C)		○	○	○	○		
Affichage		▲	B	C	D	E	F
Brûlera la peau d'un adulte							

Lors de la mise en service initiale ou de demande de chaleur, le contrôle vérifiera si le contacteur de dépression est ouvert.

Après que le contrôle vérifie si le contacteur de dépression du souffleur est ouvert, le contrôle lancera le moteur du souffleur pour la séquence de purge (environ 5 secondes).

Le contrôle vérifiera aussi que le contacteur de dépression du souffleur s'est fermé, assurant ainsi que le souffleur fonctionne adéquatement et que le système de ventilation n'est pas obstrué.

Le contrôle passera ensuite à une série d'auto-diagnostics avant de commencer un essai d'allumage.

Au cours de l'essai d'allumage, la surface chaude de l'allumeur se réchauffera.

Après que l'allumeur à surface chaude se soit réchauffé, la soupape de gaz s'ouvre permettant au gaz de pénétrer dans le brûleur principal.

Après que le brûleur principal s'allume, le contrôle vérifiera que la flamme du brûleur est présente par le circuit du capteur de flammes. L'allumeur à surface chaude se fermera ensuite.

Le brûleur principal restera allumé pendant le cycle du chauffage, jusqu'à ce que la température de l'eau ait atteint le réglage voulu.

Après que la température de l'eau ait atteint le réglage voulu, le contrôle fera la soupape de gaz principale qui arrêtera l'admission de gaz au brûleur principal.

Le souffleur du moteur fonctionnera pendant 5 secondes de plus après que le contrôle vérifie que la flamme du brûleur n'est pas captée, de manière à éliminer les gaz de combustion du chauffe-eau.

Après la séquence de purge, le contrôle arrêtera le souffleur du moteur et passera en mode d'attente, pour attendre le prochain appel de chaleur.

Ce chauffe-eau est équipé d'un capteur de vapeurs inflammables qui est surveillé continuellement par le contrôle électronique, quels que soient les modes de fonctionnement.

Dans le cas où des vapeurs inflammables sont détectées, le contrôle arrêtera automatiquement le chauffe-eau et empêchera le chauffe-eau de se remettre en marche.

Ce qui suit sont des exemples de produits qui causeront le capteur de vapeurs inflammables de fermer le chauffe-eau.

- Vapeurs d'essence.
- Vapeurs de certaines peintures, teintures et diluants inflammables.
- Vapeurs de ciment et de solvants de tuyaux de conduite de ventilation.
- Javelissants (contact direct avec capteur de vapeurs inflammables).
- Certains autres produits inflammables ou leurs vapeurs.

Si le capteur de vapeurs inflammables arrête le chauffe-eau, le contrôle électronique affichera le code d'erreur approprié et vous devrez communiquer promptement avec un technicien de service qualifié.

Vous pouvez consulter « L'avis » de la page 3 pour de plus amples détails.

Réglage de la température de l'eau.....

La température maximale de l'eau se produit juste après que le brûleur se soit éteint. Pour déterminer la température de l'eau, ouvrez un robinet d'eau chaude et placez un thermomètre dans le jet d'eau.

1. Mettre les boutons d'indicateurs de température sous tension en appuyant sur les deux boutons de réglage de température « PLUS FRAIS » (COOLER) et « PLUS CHAUD » (HOTTER) en même temps pendant une seconde. Voir la figure ci-dessous. Un ou les deux indicateurs de température s'allumeront. Ces indicateurs ne resteront allumés que pendant 30 secondes si aucun autre bouton n'est enfoncé. Après 30 secondes, le contrôle reviendra en mode « sommeil » (sleep).
2. Relâcher les deux boutons de température :
 - a. Pour baisser la température, appuyer et relâcher le bouton « PLUS FRAIS » (COOLER) jusqu'à ce que le réglage voulu soit atteint.
 - b. Pour augmenter la température, appuyer et relâcher le bouton « PLUS CHAUD » (HOTTER) jusqu'à ce que le réglage voulu soit atteint.

Le contrôle de gaz (thermostat) comporte aussi un dispositif d'arrêt d'alimentation du gaz d'usage unique qui coupe l'alimentation de gaz au brûleur si la température du chauffe-eau excède les températures de fonctionnement normales. Consulter la section « Avant d'appeler pour obtenir une visite de service » dans ce manuel ou communiquer avec votre dépositaire.

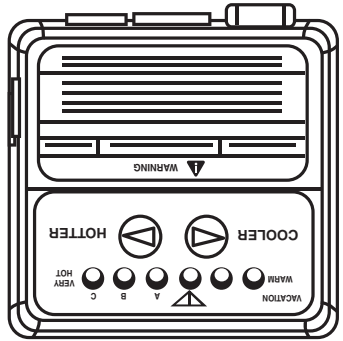
▲ MISE EN GARDE : Si une surchauffe survient ou si l'alimentation de gaz ne se ferme pas, couper l'alimentation de gaz à la soupape d'arrêt manuelle du gaz de l'appareil.

Si le chauffe-eau a été soumis à un incendie, une inondation ou des dégâts, fermer la soupape d'arrêt manuelle du gaz et ne pas utiliser le chauffe-eau et ne pas utiliser le chauffe-eau jusqu'à ce qu'il ait été vérifié par un technicien de service qualifié.

Rapport d'ébouillantage durée / température

Température	Durée pour causer une brûlure grave
120 °F (49 °C)	Plus de 5 minutes
125 °F (52 °C)	1½ à 2 minutes
130 °F (54 °C)	Environ 30 secondes
135 °F (57 °C)	Environ 10 secondes
140 °F (60 °C)	Moins de 5 secondes
145 °F (63 °C)	Moins de 3 secondes
150 °F (66 °C)	Environ 1½ seconde
155 °F (68 °C)	Environ 1 seconde

Tableau fourni par l'Institut des brûlures de Shriners



Réglage de la température
50 & 65 gallons
▲ ABC Affichage
Brûlera la peau d'un adulte

CHAUD = approx. 21°C (70°F)	● ○ ○ ○ ○ ○
▲ = approx. 49°C (120°F)	○ ○ ○ ○ ● ○
A = approx. 54°C (130°F)	○ ○ ○ ○ ● ○ ○
B = approx. 60°C (140°F)	○ ○ ○ ○ ● ○ ○ ○
C = approx. 66°C (150°F)	○ ○ ○ ○ ● ○ ○ ○ ○
C-Clignotant = approx. 71°C (160°F)	● ○ ○ ○ ○ ○ ○ ○
Environ 1/2 seconde	Environ 1/2 seconde

Fonctionnement du chauffe-eau

AVERTISSEMENT : Un système d'eau chaude qui n'a pas été utilisé pendant une période prolongée (généralement deux semaines ou plus) peut produire de l'hydrogène. L'HYDROGÈNE EST UN GAZ

EXTRÊMEMENT INFLAMMABLE!! Afin de dissiper un tel gaz et de réduire le risque de blessures, nous recommandons d'ouvrir le robinet d'eau chaude de l'évier de la cuisine pendant quelques minutes avant d'utiliser un appareil électrique connecté au système d'eau chaude. La présence éventuelle d'hydrogène dans le système sera signalée par un son inhabituel, comme celui de l'air s'échappant d'un tuyau, lorsque l'eau commence à couler. Ne fumez pas et n'approchez aucune flamme du robinet lorsqu'il est ouvert.

Mesures de sécurité

- A** Couper l'arrivée de gaz à la soupape d'arrêt si le chauffe-eau a été surchauffé, soumis à un incendie, une inondation, des dommages ou si l'alimentation de gaz ne se ferme pas.
- B** Ne Pas mettre le chauffe-eau en service, s'il n'est pas totalement rempli d'eau.
- C** Ne Pas mettre le chauffe-eau en service si la soupape d'arrivée d'eau froide est fermée.
- D** Ne Pas conserver de matériaux combustibles comme journaux, linges ou vadrouilles à proximité du chauffe-eau.

AVIS: Des vapeurs inflammables peuvent être attirées par les courants d'air aux abords du chauffe-eau.

- E** Ne Pas conserver ou utiliser d'essence et d'autres liquides et vapeurs inflammables comme des adhésifs et des diluants à peinture à proximité de cet appareil ou d'autres. Si des produits inflammables doivent être utilisés, ouvrir les portes et les fenêtres pour assurer la ventilation et tous les appareils fonctionnant au gaz à proximité doivent être fermés, y compris leurs veilleuses pour éviter d'enflammer les vapeurs.
- F** S'il est difficile de comprendre ou de suivre les directives de fonctionnement ou d'entretien de ce manuel, il est recommandé qu'un technicien de service ou une personne qualifiée effectue le travail.

Procédures de fonctionnement

Ce chauffe-eau est équipé d'un allumeur par surface chaude pour allumer le brûleur principal. Il n'y a pas de veilleuse à allumer, mais lors de la mise en service initiale, il est recommandé que le portillon extérieur soit enlevé (laisser le portillon intérieur en place dans le but de la sécurité) pour voir à travers le regard vitré pour déterminer si l'allumeur à surface chaude et le brûleur principal fonctionnent adéquatement.

Après avoir rempli d'eau le chauffe-eau, il est seulement nécessaire de brancher le cordon d'alimentation électrique et de s'assurer que le contacteur « MARCHE/ARRÊT » (ON/OFF) situé sur l'ensemble du souffleur est à la position « MARCHE » (ON). En quelques secondes, POUR FERMER LE CHAUFFE-EAU – Placer le contacteur sur l'ensemble du souffleur à la position « ARRÊT » (OFF). Pour voir l'emplacement de l'ensemble du souffleur, voir le diagramme de la page 46.

Réglage de la température de l'eau

▲ DANGER : De l'eau très chaude augmente le risque d'ÉBOULLANTAGE par eau chaude. Les foyers où il y a des petits enfants, des personnes âgées ou invalides, peuvent exiger un réglage du thermostat au gaz à 49°C (120°F) ou même plus bas pour éviter tout contact avec des températures dangereuses de l'eau.

La température de l'eau du chauffe-eau est réglée en appuyant sur les boutons à l'avant du contrôle du gaz (thermostat). La sécurité et la conservation énergétique sont des facteurs à considérer lors de la sélection du réglage de la température de l'eau au contrôle du gaz (thermostat) du chauffe-eau. Plus le réglage est bas, meilleures sont les économies d'énergie et de coûts. Pour être conforme aux réglementations de sécurité, le contrôle du gaz (thermostat) a été réglé au réglage le plus bas avant que le chauffe-eau ait été expédié de l'usine. La température de départ recommandée est de 49°C. (120°F).

Les températures de l'eau supérieures à 52°C (125°F) peuvent causer de graves brûlures ou la mort par éboullantage. S'assurer de lire et de respecter les mises en garde dans ce manuel et sur l'étiquette placée sur le chauffe-eau à proximité du contrôle de gaz (thermostat). Des soupapes de mélange sont disponibles pour réduire la température de l'eau au point d'utilisation en mélangeant l'eau chaude et froide dans des canalisations séparées. Communiquer avec un plombier licencié ou l'autorité de plomberie locale pour de plus amples renseignements.

Le tableau de la page suivante peut être utilisé comme guide pour déterminer la température adéquate de l'eau pour votre maison.

Allumage du chauffe-eau

Avant d'utiliser ce chauffe-eau, s'assurer de lire et de respecter les directives indiquées sur l'étiquette illustrée ci-dessous, toutes les autres étiquettes collées sur le chauffe-eau ainsi que les avertissements imprimés dans ce manuel. Si ces directives ne sont respectées, il peut en résulter un fonctionnement non sécuritaire du chauffe-eau, risquant de causer des dégâts à la propriété, des blessures personnelles ou la mort. Si vous avez une question quelconque au sujet de la compréhension des instructions indiquées dans ce manuel, ARRÊTEZ-VOUS et communiquez avec un technicien qualifié.

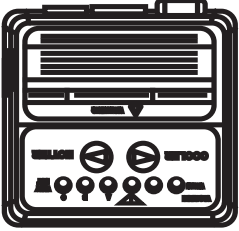
POUR VOTRE SÉCURITÉ, VEUILLEZ LIRE AVANT DE METTRE EN MARCHÉ

AVERTISSEMENT: Si ces directives ne sont pas suivies exactement, un incendie ou un explosion risque d'en résulter, causant des dégâts à la propriété, des blessures personnelles ou la mort.

- A. Cet appareil n'est équipé d'une veilleuse, il est équipé d'un dispositif d'allumage qui allume automatiquement le brûleur. **NÉ PAS** tenter d'allumer le brûleur manuellement.
- B. **AVANT DE METTRE CET APPAREIL EN SERVICE -** Renvoyer tout autour de l'appareil pour déceler une odeur de gaz. S'assurer de renifler au niveau du sol parce que certains gaz sont plus lourds que l'air et peuvent s'accumuler au niveau du sol.
- QUE FAIRE SI L'ON SENT UNE ODEUR DE GAZ -**
- o Ne pas tenter d'allumer d'appareil.
 - o Ne pas toucher d'interrupteurs électriques; ne pas utiliser les téléphones se trouvant dans l'édifice.
- Appeler immédiatement votre fournisseur de gaz de chez remplacement
- C. Utiliser uniquement la main pour appuyer sur le bouton de contrôle du gaz. Ne jamais utiliser d'outils. Si le bouton ne peut être enfoncé à la main, ne pas tenter de le réparer, appeler Direct Energy Home Services. Le fait de forcer le bouton ou tenter de le réparer peut déclencher une explosion ou un incendie.
- D. Ne pas utiliser cet appareil s'il a été plongé dans l'eau, même partiellement. Appeler immédiatement Direct Energy Home Services qui remplacera un chauffe-eau inondé. Ne pas tenter de réparer l'unité Elle doit être remplacé

DIRECTIVES DE FONCTIONNEMENT

1. ARRÊTEZ! Lire les directives de sécurité ci-dessus, sur cette étiquette.
2. Placer le contacteur «ON/OFF» (MARCHÉ/ARRÊT) situé sur l'ensemble du souffleur à la position «ON» (MARCHÉ).
3. Régler le thermostat au réglage le plus bas en appuyant sur le bouton «COOLERS» (PLUS FRAIS) ou «HOTTERS» (PLUS CHAUD) en même temps et en les maintenant enfoncés pendant (1) seconde. Appuyer sur le bouton «COOLERS» (PLUS FRAIS) uniquement jusqu'à ce que le témoin lumineux «WARM» (CHAUD) s'allume.
4. Placer le contacteur «ON/OFF» (MARCHÉ/ARRÊT) situé sur l'ensemble du souffleur à la position «OFF» (ARRÊT).
5. Couper toute alimentation électrique à l'appareil.
6. Cet appareil est équipé d'un système d'allumage par NE PAS ouvrir le portillon intérieur de cet appareil et ne pas tenter d'allumer le brûleur manuellement.
7. Attendre cinq (5) minutes pour éliminer tout gaz restant. Si l'on sent une odeur de gaz, S'ARRÊTER et suivre la rubrique «B» des directives de sécurité indiquées ci-dessus. Si l'on ne sent pas de gaz, passer à l'étape suivante.



COMMENT COUPER L'ARRIVÉE DE GAZ À L'APPAREIL

1. Régler le thermostat au réglage le plus bas en appuyant sur les boutons «COOLERS» (PLUS FRAIS) ou «HOTTERS» (PLUS CHAUD) en même temps et en les maintenant enfoncés pendant (1) seconde. Appuyer sur le bouton «COOLERS» (PLUS FRAIS) uniquement jusqu'à ce que le témoin lumineux «WARM» (CHAUD) s'allume.
2. Placer le contacteur «ON/OFF» (MARCHÉ/ARRÊT) situé sur l'ensemble du souffleur à la position «OFF» (ARRÊT).
3. Couper toute alimentation électrique à l'appareil.

Directives supplémentaires pour chauffe-eau au gaz installés dans les applications de chauffage d'appoint et d'eau potable

Les exigences des codes locaux ou des autorités de plomberie peuvent varier des instructions ou des schémas fournis dans ce manuel et ont précédence sur ces directives.

Application pour chauffage d'appoint et d'eau potable

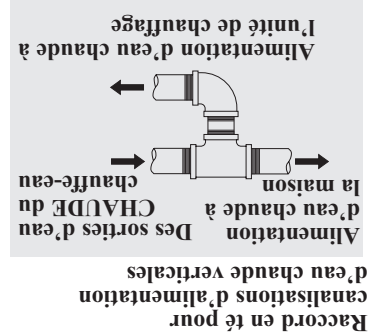
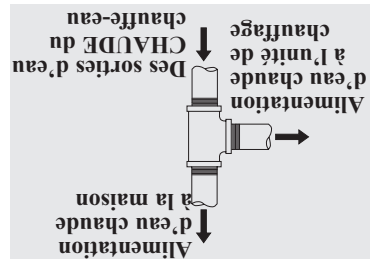
▲ DANGER : Si ce chauffe-eau est installé dans une application conçue pour fournir des besoins d'eau chaude domestiques et d'eau chaude pour chauffe-eau à un élément de chauffage existant ou aux éléments d'un système de chauffage qui est précédemment été utilisé avec un système pour eau non potable. Des produits chimiques toxiques comme celui utilisé pour le traitement des chaudières peut être présent et contamineront l'eau potable, causant des risques de santé possibles. Ne jamais introduire des produits chimiques toxiques utilisés pour le traitement des chaudières dans ce système.

AVIS : 15,2 m (50 pi.) distance maximale entre le chauffe-eau et le serpentin du ventilateur (longueur développée) est requise dans l'état du Massachusetts.

Le raccord en té doit être installé comme illustré. Ceci assure que tout air dans les canalisations d'eau soit purgé des robinets d'eau domestiques et des douches.

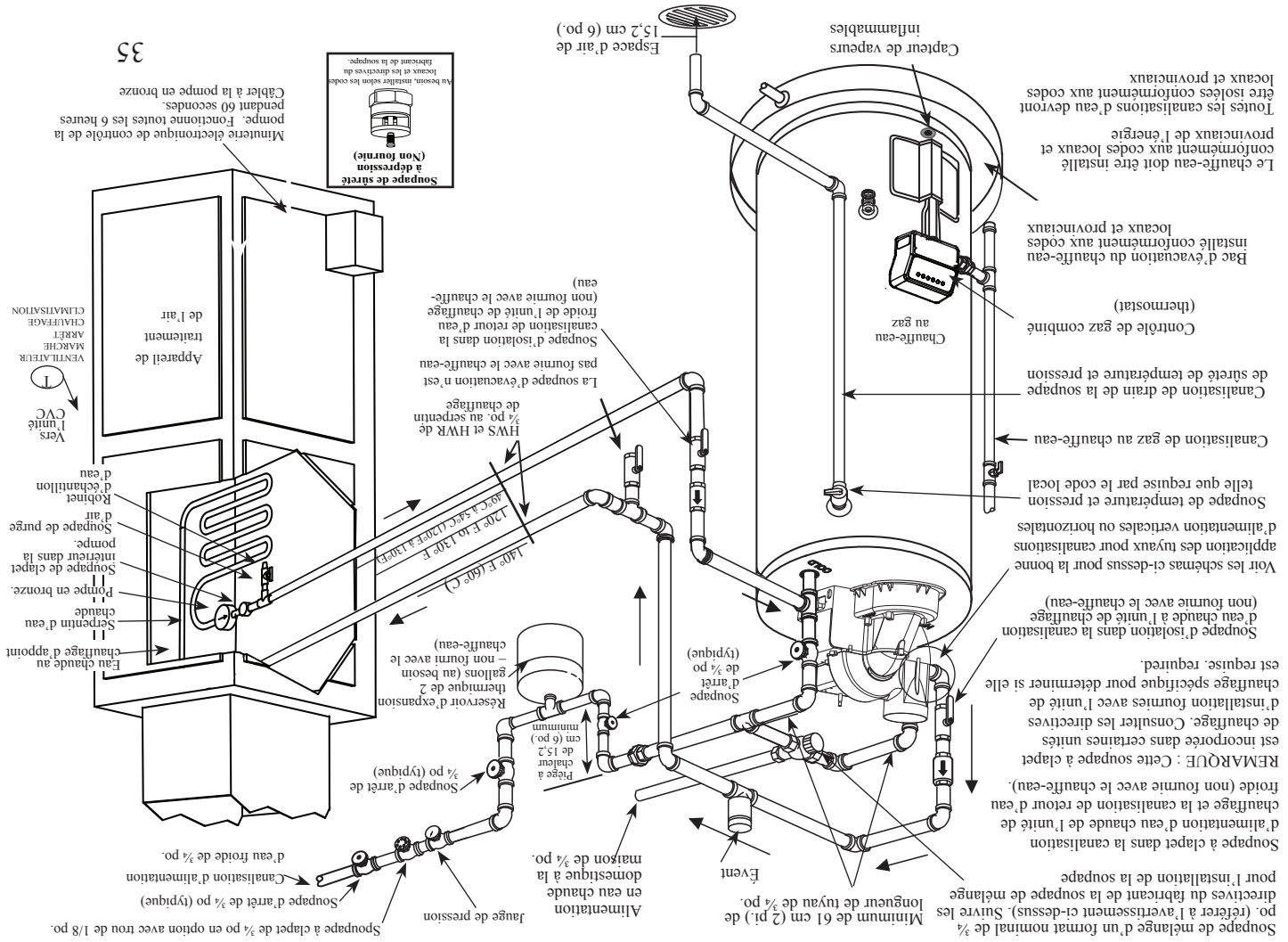
▲ DANGER : Lorsque ce système exige de l'eau pour chauffage d'appoint à des températures élevées [plus de 52°C (125°F)], une soupape de mélange doit être installée dans la canalisation d'alimentation d'eau chaude à la maison de manière à réduire le risque de danger par ébullitance.

▲ DANGER : Toute canalisation ou chauffe-eau dans une application combinée de chauffage d'appoint et d'eau potable doit être convenable pour usage avec de l'eau potable.



Raccord en té pour canalisations d'alimentation d'eau chaude horizontales

Schéma typique de canalisation pour installation de combinaison de chauffage d'appoint / d'eau potable.



Liste de vérification de l'installation

A. Emplacement du chauffe-eau

- Dans un endroit où les systèmes d'évent et d'admission d'air de combustion seront conformes avec exigences spécifiques de ce manuel.
- À l'intérieur et protégé des températures inférieures au gel.
- Dégagement adéquat de tous sols combustibles et le chauffe-eau ne peut être installé sur un sol revêtu d'une moquette.
- La fourniture d'air exempte d'éléments corrosifs et de vapeurs inflammables.
- Protéger la surface de tout dégât par l'eau.
- Bac de récupération installé.
- Suffisamment de place pour l'entretien du chauffe-eau.
- Les matières combustibles comme les vêtements, les matériaux de nettoyage, les linges, etc. sont placés à l'écart de la base du chauffe-eau.
- Le capteur de vapeurs inflammables n'est pas obstrué.

B. Admission d'eau

- L'air est purgé du chauffe-eau et des canalisations.
- Les connexions de canalisation d'eau sont serrées et ne comportent aucune fuite.

C. Admission de gaz

- La canalisation de gaz est équipée d'une soupape d'arrêt, d'un raccord union et d'une trappe à sédiments.
- De la pâte à joint approuvée est utilisée.
- La compagnie de gaz a inspecté l'installation (au besoin).

D. Soupape de sûreté

- Une soupape de sûreté et de température de pression et un tube de drain sont adéquatement installés.
- La canalisation de drain est protégée du gel.

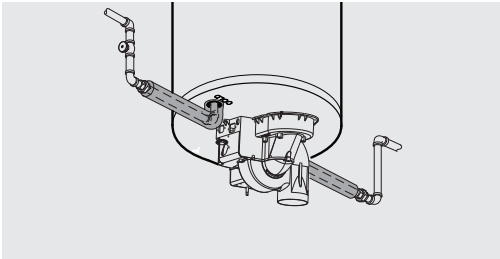
E. Systèmes d'évent et d'admission d'air de combustion

- Le chauffe-eau est ventilé séparément de tous les autres appareils.
- Les dégagements minimums appropriés sont être respectés.
- Ensemble du souffleur adéquatement installé.
- Des précautions sont prises pour éviter de dégât par l'humidité aux abords de la sortie d'évent
- Techniques et matériaux adéquats utilisés pour l'installation des systèmes d'évent et d'admission d'air de combustion.
- Les vapeurs provenant du ciment pour tuyau non métallique et de l'appât se sont dissipés avant de mettre l'appareil sous tension.
- Tuyau d'évent adéquatement sécurisé au connecteur d'échappement de l'ensemble du souffleur.
- Le tuyau d'admission d'air de combustion est adéquatement sécurisé au té de la canalisation d'admission d'air de combustion.
- Les systèmes d'évent et d'admission d'air de combustion sont soutenus aux intervalles requis.

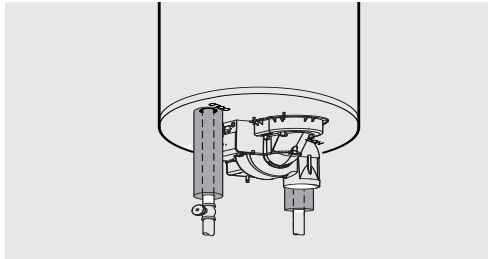
F. Câblage

- Alimentation électrique correcte (120 volts).
- Les connexions électriques sont bien serrées.
- Le chauffe-eau est adéquatement mis à la terre et la bonne polarité est respectée.

Installation d'isolation pour canalisations d'eau chaude et froide



Disposition typique des canalisations horizontales

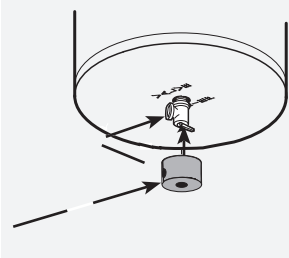


Disposition typique des canalisations verticales

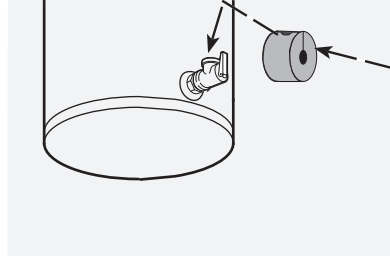
Pour augmenter l'efficacité énergétique, certains chauffe-eau ont été fournis avec deux longues sections d'isolant de 61 cm (24 po). Veuillez installer l'isolation conformément aux illustrations ci-dessus correspondant le mieux à vos exigences.

Installation de l'isolation de la soupape de sûreté

Pour une efficacité énergétique accrue, ce chauffe-eau a été livré avec une section de 2 3 / 8 " d'isolation pour la soupape de sûreté. S'il vous plat, installez l'isolant comme indiqué ci-dessous.



Disposition typique d'une connexion de la soupape de sûreté sur le dessus



Disposition typique d'une connexion de la soupape de sûreté sur le côté

Glissez l'isolation sur la soupape de sûreté à travers l'ouverture centrale et alignez l'ouverture sur le côté avec l'ouverture de la soupape de sûreté.

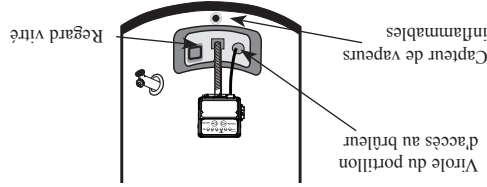
Au cours de l'installation de ce chauffe-eau...

À faire

- Vérifier la pression d'admission de gaz pour s'assurer qu'elle est conforme à la plage spécifiée sur la plaque signalétique.
- Maintenir les dégagements adéquats aux matériaux combustibles, comme spécifié sur la plaque signalétique.
- Prévoir suffisamment de temps pour que les vapeurs du ciment pour joint se dissipent AVANT de mettre le chauffe-eau sous tension.
- S'assurer que le système de ventilation est conforme aux directives qui se trouvent dans le manuel d'utilisation et d'entretien et dans le Code national du gaz naturel et propane CAN/CSA B149.1.
- Contacter un technicien de service qualifié si le brûleur principal ne reste pas allumé. La chambre du brûleur est conçue pour être scellée avec un joint et des vis inviolables.

À ne pas faire

- Ne pas obstruer ou restreindre les orifices d'admission d'air ou le capteur de vapeurs inflammables qui se trouve dans la partie inférieure du chauffe-eau.
- Ne pas enlever le portillon avant sauf si c'est absolument nécessaire. Ceci ne doit être effectué que par un technicien qualifié. Un nouveau joint de portillon d'accès au brûleur doit être installé lorsque la porte d'accès au brûleur a été enlevée.
- Ne pas installer ce produit où des inondations peuvent se produire. La base du chauffe-eau est conçue pour être montée sur une surface sèche.
- Ne pas permettre à des nettoyeurs, des solvants ou tous autres produits d'entrer en contact avec le capteur de vapeurs inflammables.
- Ne pas utiliser le chauffe-eau si le regard vitré ou la vitrole du portillon d'accès au brûleur est endommagée ou cassée (voir le schéma à gauche).



Installation du chauffe-eau

Collage des joints (E.-U. seulement)

AVERTISSEMENT : OÙ DE BLESSURES – Les ciments de solvant et les apprêts sont extrêmement inflammables. Prévoir une ventilation adéquate et ne pas assembler à proximité d'une source de chaleur ou d'une flamme nue. Ne pas fumer. Éviter tout contact avec la peau et les yeux. Observer les mises en garde et les avertissements indiqués sur les contenants.

AVERTISSEMENT : OÙ DE BLESSURES – Les ciments de solvant et les apprêts sont extrêmement inflammables. Prévoir une ventilation adéquate et ne pas assembler à proximité d'une source de chaleur ou d'une flamme nue. Ne pas fumer. Éviter tout contact avec la peau et les yeux. Observer les mises en garde et les avertissements indiqués sur les contenants.

▲ ATTENTION : POUR UNE BONNE INSTALLATION :

NE PAS utiliser de ciment de solvant qui a formé des grumeaux ou qui s'est épaissi.

NE PAS diluer le ciment de solvant. Respecter les précautions de rangement indiquées sur le contenant.

Pour les applications à des températures inférieures à 32°F (0°C) utiliser uniquement du ciment de solvant pour basse température.

Le nettoyant et le solvant appropriés doivent être utilisés pour le type de tuyau de ventilation utilisé (PVC, ABS ou CPVC).

Tous les joints de la canalisation, d'évent doivent être adéquatement étanchéifiés en utilisant les matériaux et la procédure ci-dessous :

Les matériaux de PVC doivent utiliser du ciment de qualité ASTM D - 2564
Les matériaux de CPVC doivent utiliser du ciment de qualité ASTM F - 493
Les matériaux en ABS doivent utiliser du ciment de qualité ASTM D - 2235

Aprêt de nettoyage et ciment de solvant d'épaisseur moyenne.

1 Couper le tuyau d'équerre, enlever les ébarbures. Chanfreiner l'extrémité du tuyau puis nettoyer la douille du raccord et le joint du tuyau en enlevant toute saouillure, graisse ou humidité.

2 Après avoir vérifié la bonne adaptation du tuyau et de la douille, essuyer la douille et le tuyau avec l'apprêt de nettoyage. Appliquer une bonne couche d'apprêt à l'intérieur de la surface de la douille et à l'extérieur du tuyau. Ne pas laisser sécher l'apprêt avant d'appliquer le ciment.

3 Appliquer une mince couche de ciment dans la douille. Appliquer ensuite une épaisse couche de ciment sur le tuyau et insérer le tuyau dans le raccord avec un léger mouvement de torsion jusqu'à ce qu'il arrive en butée.

4 Maintenir le raccord du tuyau pendant 30 secondes pour éviter que l'extrémité chanfreinée de la douille pousse le tuyau hors du raccord.

5 Essuyer l'excès de ciment du joint avec un lingé. Laisser sécher avant toute manipulation. Le temps de durcissement variera selon l'adaptation, la température et l'humidité ambiante.

AVIS : Agiter le ciment de solvant fréquemment lors de l'usage. Utiliser un pinceau en soies naturelles ou le tampon fourni avec la boîte. La dimension adéquate du pinceau est de 1 po.

AVIS : Cette unité comporte un capteur de vapeurs inflammables. Ne pas mettre l'appareil sous tension avant que suffisamment de temps se soit écoulé pour permettre aux vapeurs de l'apprêt et du ciment de se dissiper.

● Ne pas recouvrir les étiquettes de fonctionnement ou d'avertissement placées sur le chauffe-eau ou ne pas tenter de les replacer à l'extérieur de la couverture d'isolation.

● Ne pas appliquer d'isolation au sommet du chauffe-eau. Ceci gênera le bon fonctionnement de l'ensemble du souffleur.

● Ne pas recouvrir le portillon d'accès au brûleur, le portillon de l'enveloppe, le contrôle de gaz (thermostat), la soupape de gaz ou la soupape de sortie température et pression.

● Ne pas appliquer d'isolation sur l'endroit où le capteur de vapeur inflammable est situé. Cet endroit doit être sans obstruction de manière à ne pas restreindre le débit d'air au capteur.

● Inspecter la couverture d'isolation fréquemment pour s'assurer qu'elle ne se soit pas affaïssée et ne restreindra pas le débit d'air au capteur de vapeurs inflammables qui est situé sur le périmètre intérieur de l'enveloppe du chauffe-eau. Ceci pourrait résulter en des fonctionnements insécuritaires.

Pièges à chaleur

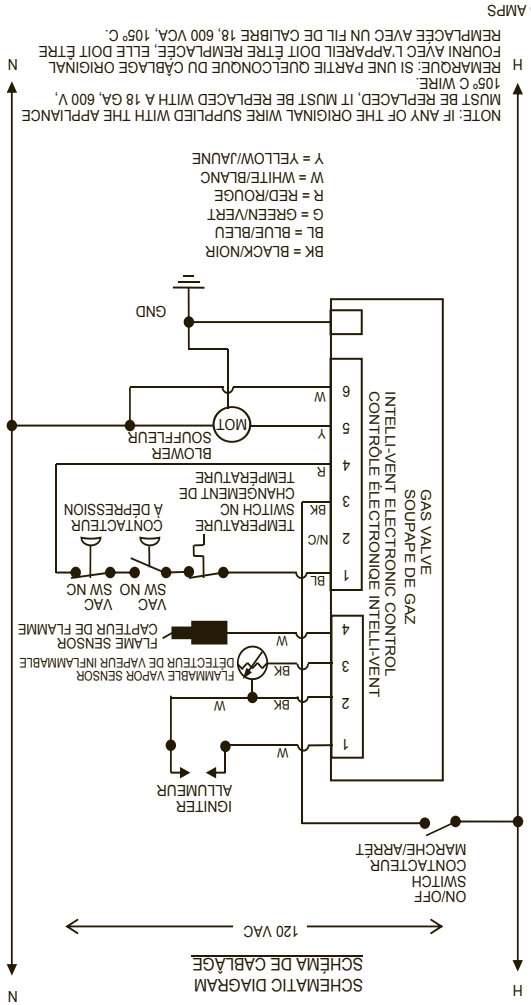
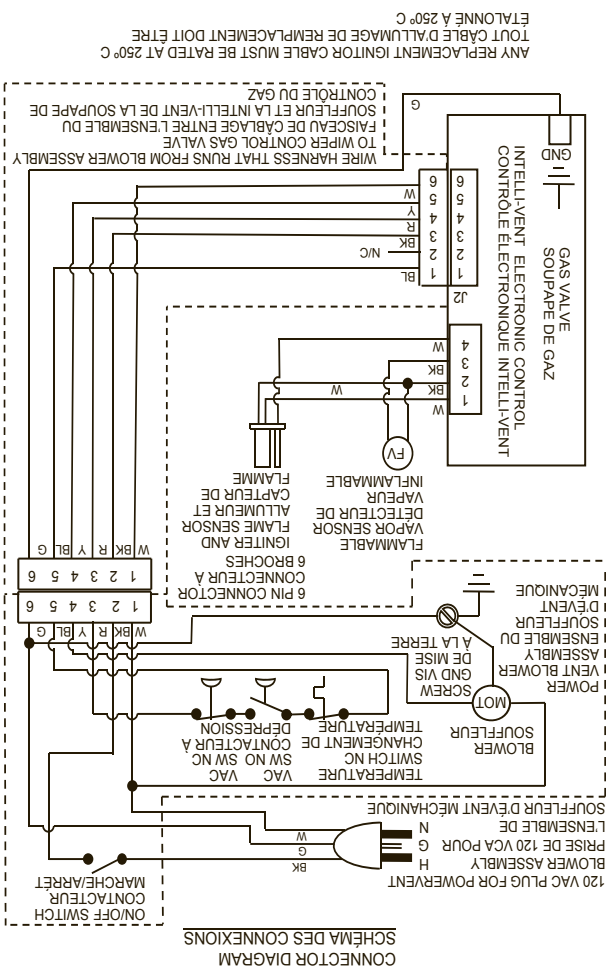
Pour augmenter l'efficacité énergétique, certains chauffe-eau ont été fournis avec des pièges à chaleur de 3/4 po NPT, installés en usine, sur la canalisation de sortie d'eau chaude et la canalisation d'entrée d'eau froide. Ces raccords de piège à chaleur peuvent exiger un minimum de un (1) coude à 90° de 3/4 po. ou 1 pouce NPT

et peuvent exiger un coude supplémentaire à 90° de 3/4 po. ou de 1 pouce NPT ou un coupleur de 3/4 po. ou 1 po selon votre modèle de chauffe-eau et les besoins de l'installation. Voir l'illustration des raccords et des pièges à chaleur de la page 46.

Cablage

Le chauffe-eau peut être raccordé au service électrique par le cordon d'alimentation fourni (NE PAS utiliser de rallonge électrique). Une prise mise à la terre est requise.

Le chauffe-eau doit être mis à la terre électrique conformément aux codes locaux, ou en l'absence de codes locaux, conformément à l'édition la plus récente du code électrique canadien CSA C22.1. Consulter les dessins ci-dessous pour le câblage interne du chauffe-eau.



ATTENTION ! Des erreurs de câblage peuvent causer un fonctionnement inadéquat et dangereux. VÉRIFIER LE BON FONCTIONNEMENT APRÈS L'ENTRETIEN !

NOTE: IF ANY OF THE ORIGINAL WIRE SUPPLIED WITH THE APPLIANCE MUST BE REPLACED, IT MUST BE REPLACED WITH A 18 GA. 600 V, 105° C WIRE.
REMARQUE: SI UNE PARTIE QUELCONQUE DU CÂBLAGE ORIGINAL FOURNI AVEC L'APPAREIL DOIT ÊTRE REMPLACÉE, ELLE DOIT ÊTRE REMPLACÉE AVEC UN FIL DE CALIBRE 18, 600 VCA, 105° C.

ANY REPLACEMENT IGNITOR CABLE MUST BE RATED AT 250° C ETALONNE À 250° C
TOUT CÂBLE D'ALLUMAGE DE REMPLACEMENT DOIT ÊTRE

120V 50/60 HZ LESS THAN 5 AMPS

Gestion du Condensat – tuyauterie optionnelle

- Dans la plupart des conditions, il n'y a pas de collecte et d'évacuation de condensat requise pour les chauffe-eau Rheem. Dans les installations où le système d'évent est court ou traverse des espaces conditionnés de la résidence, tel que sous-sols ou murs intérieurs, ceci ne cause typiquement de condensation et ne requerra de méthodes de disposition de condensat sans égard à la pente du tuyau d'évent. L'image à la page 20 montre la pente recommandée de l'évent de pas moins de 1/8 po. Par pied (10 mm par m) du chauffe-eau. Toute condensation dans le système d'évent va s'écouler vers la terminaison de l'évent. Le raccord du tuyau de soufflerie comprend un orifice de drainage avec capuchon qui n'est pas requis dans ce cas.

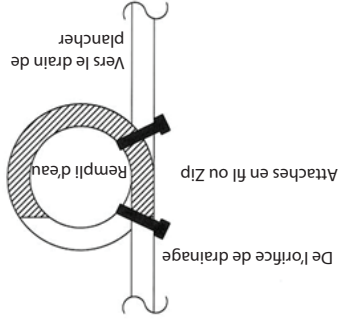
ATTENTION : Vous assurer que le capuchon de l'orifice de drainage est bien en place.

Il ya configurations de tuyauterie d'évacuation, quand combinée à certaines conditions environnementales qui peuvent produire assez de condensat pour en exiger la collecte et l'élimination. Lorsque la pente à partir du chauffe-eau ne peut pas être atteinte et la manipulation des condensats est nécessaire dans un système d'évacuation horizontal, la pente du tuyau d'évacuation vers le Chauffe-eau 1 / 8 po par pied (10 mm par m) minimum la gestion des moyens et de condensat comme suit:

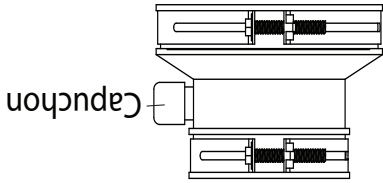
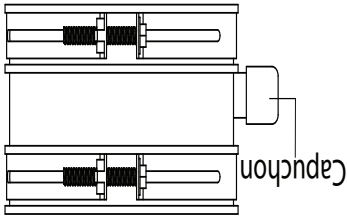
- Enlevez le chapeau de l'accouplement de pipe de passage, orifice de vidange du ventilateur.

- Connectez un tuyau transparent d'3/8 po. I.D. flexible, en PVC (ou matériau équivalent), à l'orifice de drainage.

Remarque: Le tube doit être de longueur suffisante pour atteindre un drain de plancher, en dehors du bâtiment ou d'autres exigences d'élimination de condensat requis (voir les codes locaux).



- Remplir le tube de vidange avec de l'eau afin que les gaz de combustion ne puissent s'introduire dans la pièce.
- Orientez le tube de drainage à un drain de plancher ou à l'extérieur du bâtiment ou autres exigences de terminaison d'élimination du condensat. (Se référer aux codes locaux).



compressées.

NE doivent PAS être restreintes ou La boucle et toutes les sections du tube ou attaches en plastique tel que montré.

et de la boucle avec des liens de fil ait un piège circulaire et sécuriser le haut Enroulez le tuyau d'évacuation afin qu'il

Remarque : La différence entre les longueurs équivalentes du système d'admission d'air de combustion et d'évent ne doit pas être supérieure à 1,5 mm (5 pieds).

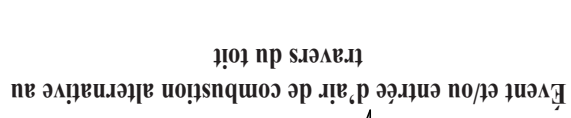
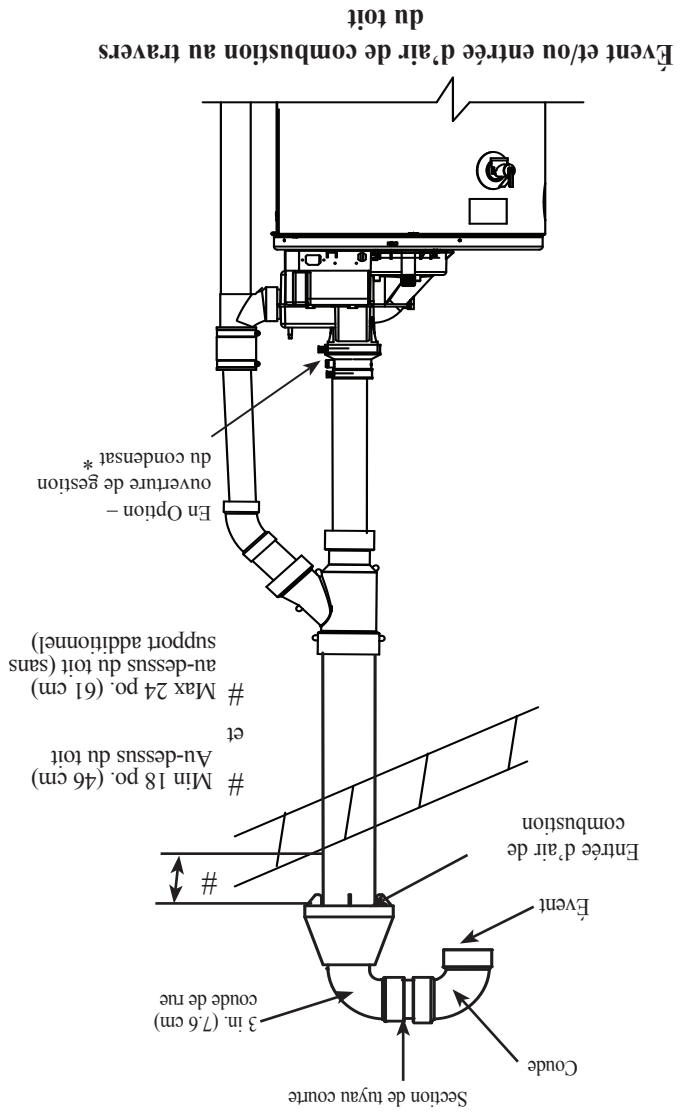
Terminer l'installation du reste du système d'admission d'air de combustion et le fixer au raccord de connecteur d'admission d'air de combustion sur l'ensemble du tube d'admission d'air de combustion du chauffe-eau.

- Soutenir les longueurs horizontales du système d'admission d'air de combustion doivent être inclinées vers le bas à l'écart du chauffe-eau d'un minimum de 10 mm par mètre (1/8 po. par pied).

Des longueurs verticales et horizontales des systèmes d'évent et d'admission d'air de combustion comme précédemment mentionné.

IMPORTANT : S'assurer que tous les brides des raccords sont serrées avant de permettre au chauffe-eau de fonctionner.

AVERTISSEMENT : Ne pas utiliser de chauffe-eau avec le capuchon pare-pluie et le coude déposés sinon la recirculation de combustion peut survenir et/ou les systèmes d'admission d'air de combustion et d'évent pourraient soulever de l'eau qui pourrait causer des dégâts au chauffe-eau. Si cet avertissement n'est pas suivi, il peut en résulter des dégâts à l'unité, un fonctionnement inadéquat, des blessures personnelles ou la mort.



*Voir la Section de Gestion du Condensat pour de renseignements supplémentaires concernant les options de tuyauterie.

Installation du chauffe-eau

Événement vertical – Autre installation concentrique et d'admission d'air de combustion:

Communiquer avec le département du service national du fabricant pour les informations du kit. Voir la section de la couverture arrière du manuel « Si vous avez besoin de service »

- 3 1,2 mètres (4 pi.) de tout pignon, lucarne ou toute autre structure du toit avec accès à l'intérieur de l'édifice (par exemple, ventilation, fenêtre, etc.).
- 4 À 1,8 mètre (6 pi.) de toute admission d'air mécanique.
- 2 Maximum 61 cm (2 pi.) au-dessus du niveau du toit sans support supplémentaire pour l'événement.

Lire ces directives soigneusement et vous assurer que vous comprenez toutes les étapes et les procédures avant d'effectuer l'installation.

Déterminer l'emplacement de la sortie concentrique puis faire un trou de 12,7 cm (5 po.) à travers le toit et les plafonds pour accommoder les tuyaux de la sortie d'événement et du système d'admission d'air de combustion et installer un solin étanche (non fourni) pour le tuyau de PVC de 12,4 cm (4-1/2 po.).

L'ensemble de la sortie concentrique est conçu pour accepter un tuyau de 7,6 cm (3 po.) de diamètre. Si un tuyau de 5,1 cm (2 po.) de diamètre est utilisé :

- Soit un raccord d'évasement de 5,1 cm x 7,6 cm (2 po. x 3 po.).
- Ou des bagues de mise à niveau doivent être installées aux connexions d'admission d'air de combustion et d'événement de l'ensemble de sortie.
- NE PAS utiliser d'ensemble de sortie concentrique avec les systèmes d'événement et d'admission d'air de combustion de 10,2 cm (4 po.).
- Remarque : L'ensemble de sortie concentrique consiste d'un tuyau droit d'événement, d'un tuyau droit intérieur, d'un tuyau extérieur, d'un tuyau droit intérieur, d'un tuyau extérieur, d'un raccord d'admission d'air de combustion, d'un raccord en Y et d'un capteur pare-pluie.

De l'extérieur de l'édifice, insérer le tuyau d'admission d'air de combustion droit extérieur à travers le solin étanche de sorte que la hauteur du toit à l'arrière du capuchon pare-pluie lorsqu'il est installé soit comme spécifié dans le diagramme.

Mesurez et coupez la partie linéaire de l'événement intérieur de la terminaison concentrique afin qu'il soit 13 po. (5,1 cm) plus longue que la section extérieure du tuyau d'entrée d'air de combustion.

Terminer l'installation du reste du système de ventilation et le fixer le raccord de connecteur d'événement à l'ensemble du souffleur du chauffe-eau.

De l'intérieur, nettoyer et cimenter le raccord en Y au tuyau d'admission d'air de combustion et d'événement de l'ensemble de sortie.

Nettoyer et cimenter une section courte et droite

de tuyau droit approuvé UL-C-S636 de 7,6 cm (3 po.) de diamètre au coude à 90°.

Nettoyer et cimenter un coude approuvé UL-C-S636 à courbe standard de 1/4, à 90° en PVC de calibre 40, de 7,6 cm (3 po.) de diamètre à la section courte et droite du tuyau.

Nettoyer et cimenter le capuchon pare-pluie au tuyau d'admission d'air de combustion.

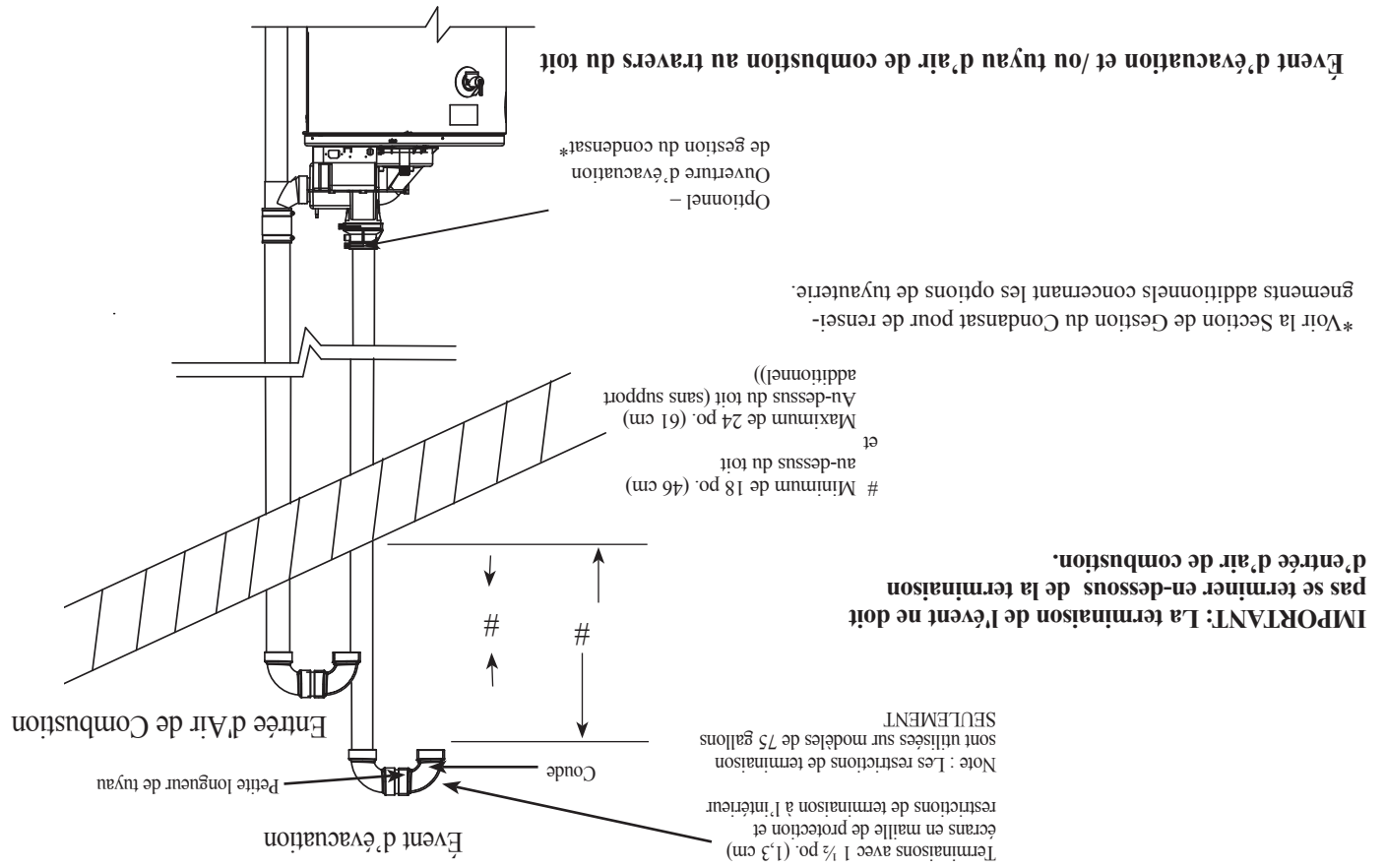
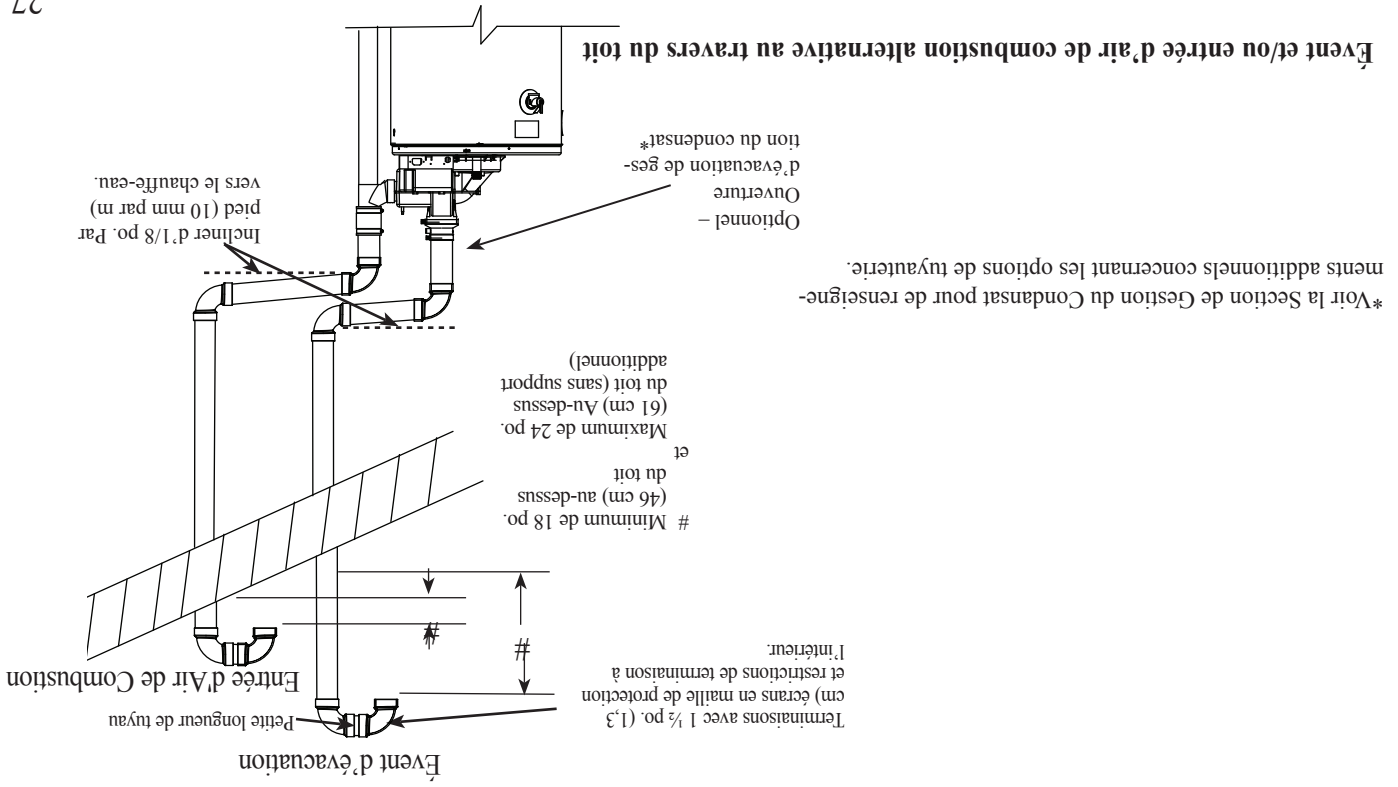
Nettoyer et cimenter le capuchon pare-pluie au mur extérieur.

De l'extérieur, glisser le tuyau d'événement avec l'ensemble du capuchon pare-pluie à travers le tuyau d'admission d'air de combustion jusqu'à ce que l'arrière du capuchon pare-pluie soit de niveau avec le mur extérieur.

Nettoyer et cimenter le capuchon pare-pluie au tuyau droit intérieur.

Assembler l'ensemble de tuyau d'événement dans le tuyau.

S'assurer qu'il n'y a aucune isolation ou débris



Installation du chauffe-eau

Installation de l'évent vertical et de l'admission d'air de combustion

- 1 L'emplacement de la sortie d'évent et de la sorte d'admission d'air de combustion dépend des dégagements suivants et des considérations indiquées:
- 2 Une distance minimale de l'évent d'échappement est de 46 cm (18 po.) au-dessus du toit.
Maximum 61 cm (24 pi.) au-dessus du niveau du toit sans support supplémentaire pour tuyau exposé.

- Lire ces directives soigneusement et vous assurer que vous comprenez toutes les étapes et les procédures avant d'effectuer l'installation.
- Déterminer l'emplacement des sorties d'admission d'air de combustion et de l'évent dans le toit et le plafond intérieur pour accommoder les tuyaux d'admission d'air de combustion et d'évent.
- Maintenir une distance minimale de 30,5 cm (12 po.) entre les sorties d'admission d'air de combustion et de l'évent.

Assembler la sortie de l'ensemble de la canalisation d'évent.

Installer le système d'évent et le fixer au raccord du connecteur d'évent sur l'ensemble du souffleur du chauffe-eau.

- Les longueurs horizontales du système d'évent doivent s'incliner vers le chauffe-eau pour un minimum de 1/8 po. par pied (10 mm par 25,6 mm).

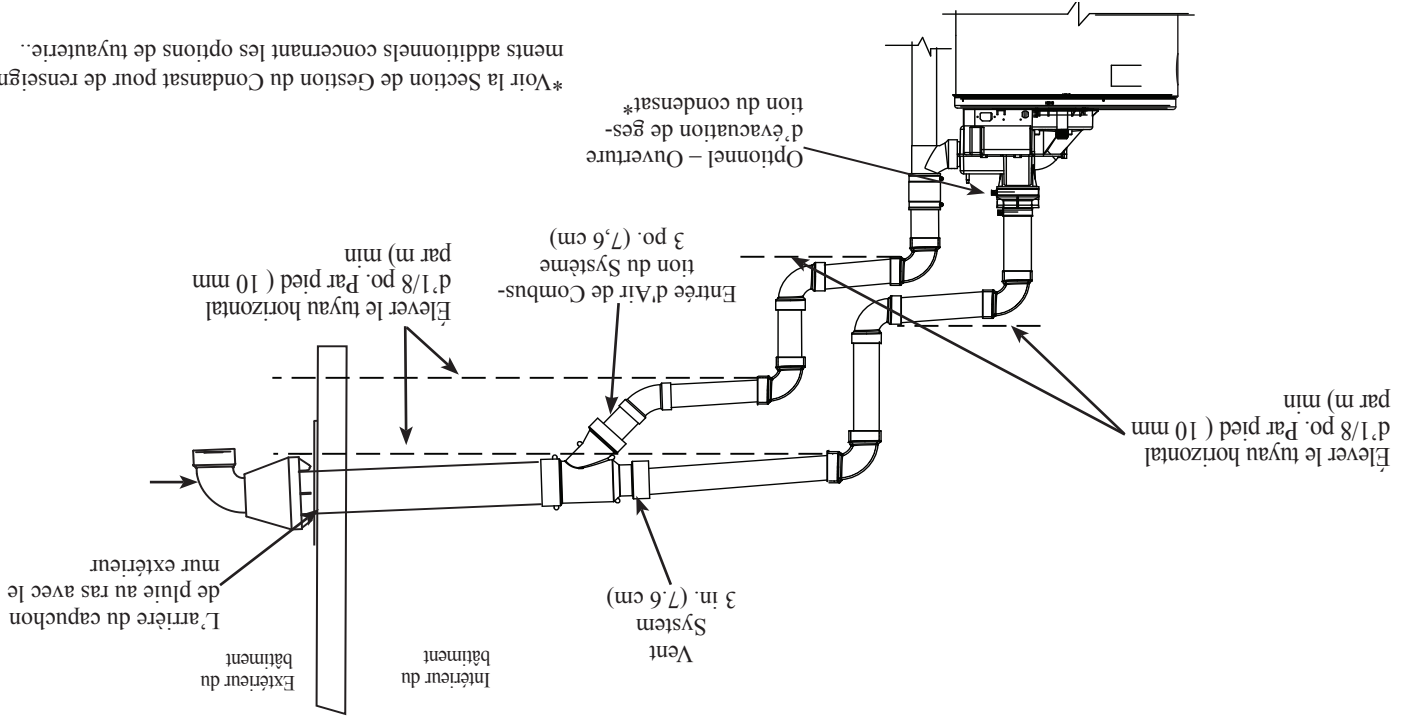
Installer le système d'admission d'air de combustion et fixer au raccord du connecteur d'admission d'air de combustion sur l'ensemble du souffleur du chauffe-eau.

- Les longueurs horizontales du système d'admission d'air de combustion doivent être inclinées vers le bas à l'écart du chauffe-eau d'un minimum de 10 mm par mètre (1/8 po. par pied).
- Soutenir les longueurs verticales et horizontales des systèmes d'évent et d'admission d'air de combustion comme précédemment mentionné.

Déterminer la hauteur des sorties d'admission d'air de combustion et d'évent et couper le tuyau en fonction.

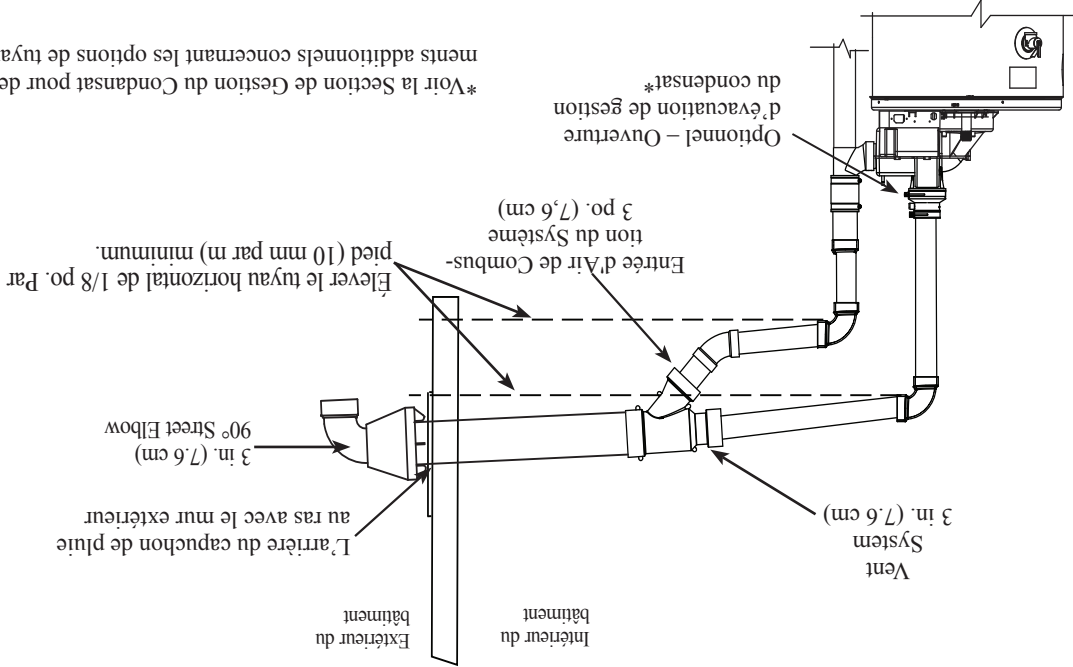
Alternative d'Event Horizontal – Installation de la terminaison Concentrique

*Voir la Section de Gestion du Condensat pour de renseignements additionnels concernant les options de tuyauterie..



Event Horizontal – Installation de la terminaison Concentrique

*Voir la Section de Gestion du Condensat pour de renseignements additionnels concernant les options de tuyauterie..



Installation du chauffe-eau

Évent horizontale – Autre installation concentrique et d'admission d'air de

combustion : Communiquer avec le département du service national du fabricant pour les informations du kit. Voir la section de la couverture arrière du manuel « Si vous avez besoin de service »

- Lire ces directives soigneusement et vous assurer que vous comprenez toutes les étapes et les procédures avant d'effectuer l'installation.
- Déterminer l'emplacement de la sortie concentrique puis faire un trou de 12,7 cm (5 po.) dans le mur extérieur.
- Démontez l'ensemble de sortie concentrique.
- Remarque : L'ensemble de sortie concentrique consiste d'un tuyau droit d'évent, d'un tuyau extérieur d'admission d'air de combustion, d'un raccord en Y et d'un capuchon pare-pluie. L'ensemble de la sortie concentrique est conçu pour accepter un tuyau de 7,6 cm (3 po.) de diamètre. Si le tuyau de 2 po. (5,1 cm) est utilisé.
 - Alors des multiplicateurs de tuyaux de 2 po. X 3 po. (5,1 cm X 7,6 cm).
 - Ou bien des bagues doivent être installées aux connexions de l'évent et d'air de combustions de l'assemblage de terminaison.
 - **NE PAS** utiliser d'ensemble de sortie concentrique avec les systèmes d'évent et d'admission d'air de combustion de 10,2 cm (4 po.).
- De l'extérieur de l'édifice, insérer le tuyau d'admission d'air de combustion droit extérieur de sorte que l'arrière du pare-pluie lorsqu'il est installé soit de niveau avec le mur extérieur.
- NOTICE: The concentric terminal assembly may be reduced in length as follows:**
- Mesurez pour la longueur d'installation désirée l'entrée d'air de combustion en fonction de ce qui est requis, mais pas moins de 12 po. (30 cm).
 - Mesurez et coupez la partie linéaire de l'évent intérieur de la terminaison concentrique afin qu'il soit 13 po. (5,1 cm) plus longue que la section extérieure du tuyau d'entrée d'air de combustion.
 - Vous assurer qu'il n'y a pas d'isolation ou de débris sans le tuyau.
 - Assembler l'ensemble de tuyau d'évent.
 - Nettoyer et cimenter le capuchon pare-pluie au tuyau d'évent droit intérieur.
 - De l'extérieur, glisser le tuyau d'évent avec l'ensemble du capuchon pare-pluie à travers le tuyau d'admission d'air de combustion jusqu'à ce que l'arrière du capuchon pare-pluie soit de niveau avec le mur extérieur.
 - Nettoyer et cimenter le capuchon pare-pluie au tuyau d'admission d'air de combustion.
- Nettoyer et cimenter un coude à 90° en PVC de calibre 40 approuvé UL-C-S636 de 7,6 cm (3 po.) de diamètre au capuchon pare-pluie (Voir Figure 3).

Installation Alternative de la terminaison de l'évent pour évent et entrée d'air de combustion horizontale (pour Modèles de 40, 50 & 65 Gallons SEULEMENT)

Lire ces instructions au complet et assurez-vous de comprendre chaque étape et procédez avant de procéder à l'installation.

Decidez de la localisation des terminaisons d'évent et d'entrée d'air de combustion et pratiquez deux (2) ouvertures à travers le mur extérieur afin d'accommoder les tuyaux d'évent et d'air de combustion.

- Conservez une distance horizontale minimum de 12 po. (30,5 cm) entre les terminaisons de l'évent et de l'entrée d'air de combustion.
- Maintenez une distance minimale entre les terminaisons de l'évent et de l'entrée d'air de combustion d'au moins 1 pi. (30,5 cm) au-dessus du sol ou de la moyenne des averses de neige, en fonction de la plus élevée.

Insérez les longueurs de tuyaux d'évent et d'air de combustion tel que montré.

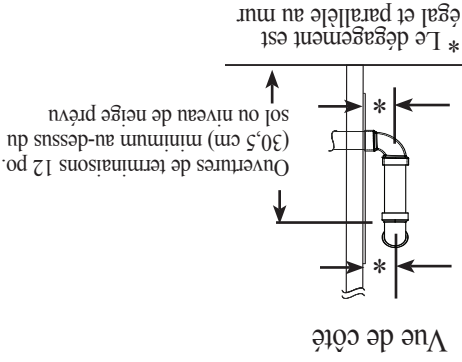
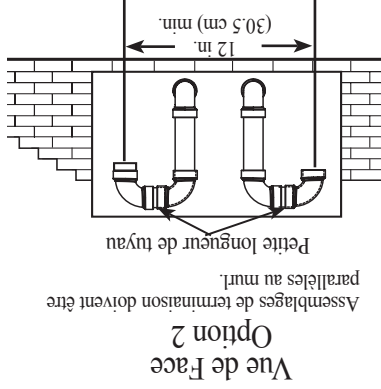
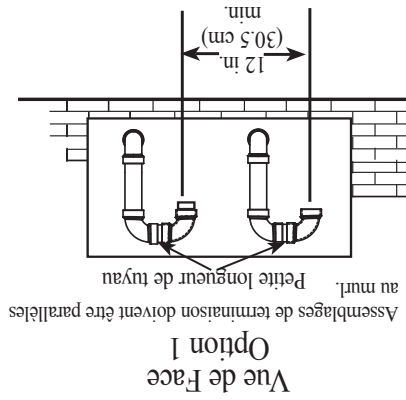
- Laissez une section suffisamment longue du mur extérieur pour relier les assemblages de montants d'évent tel que montré.

Placez les écrans métalliques mailles de 1/2 po. (1,3 cm) fournis à l'intérieur de chaque raccord de terminaison.

AVIS: Pour des climats froids, les écrans peuvent être enlevés.

Connectez les montants d'évents aux tuyaux d'évent et d'air de combustion qui projettent à l'extérieur du bâtiment.

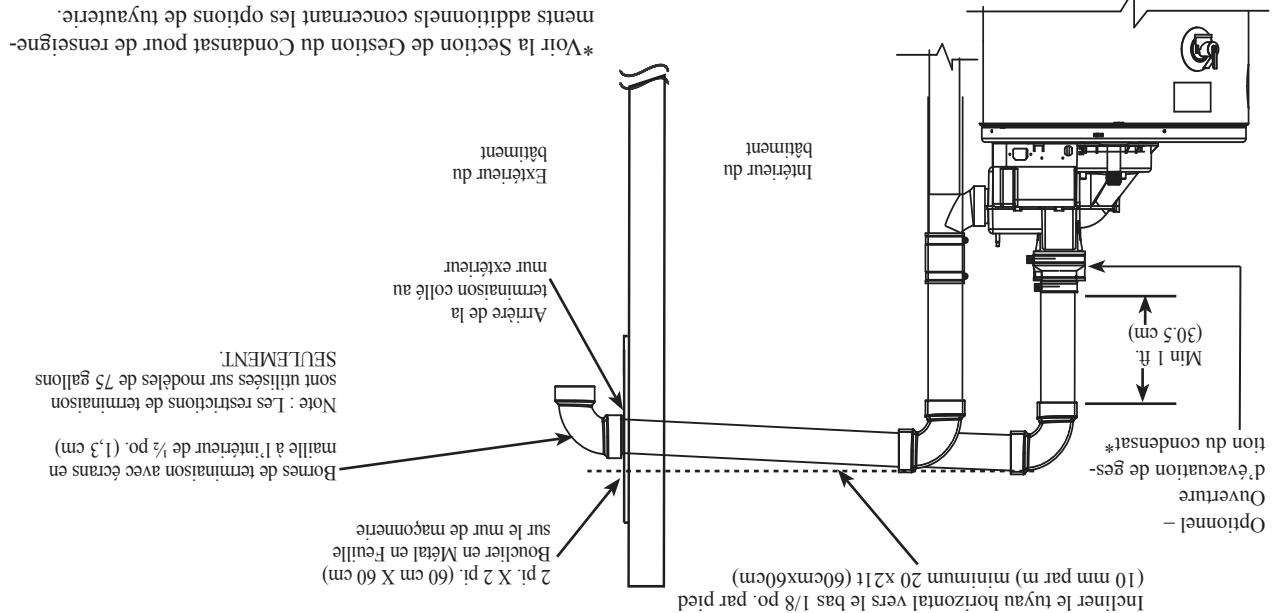
- Assurez-vous à ce que le dos des coudes 90° est contre avec la surface extérieure du mur et que les terminaisons de l'évent et de l'entrée d'air de combustion des événements sont parallèles au mur extérieur.



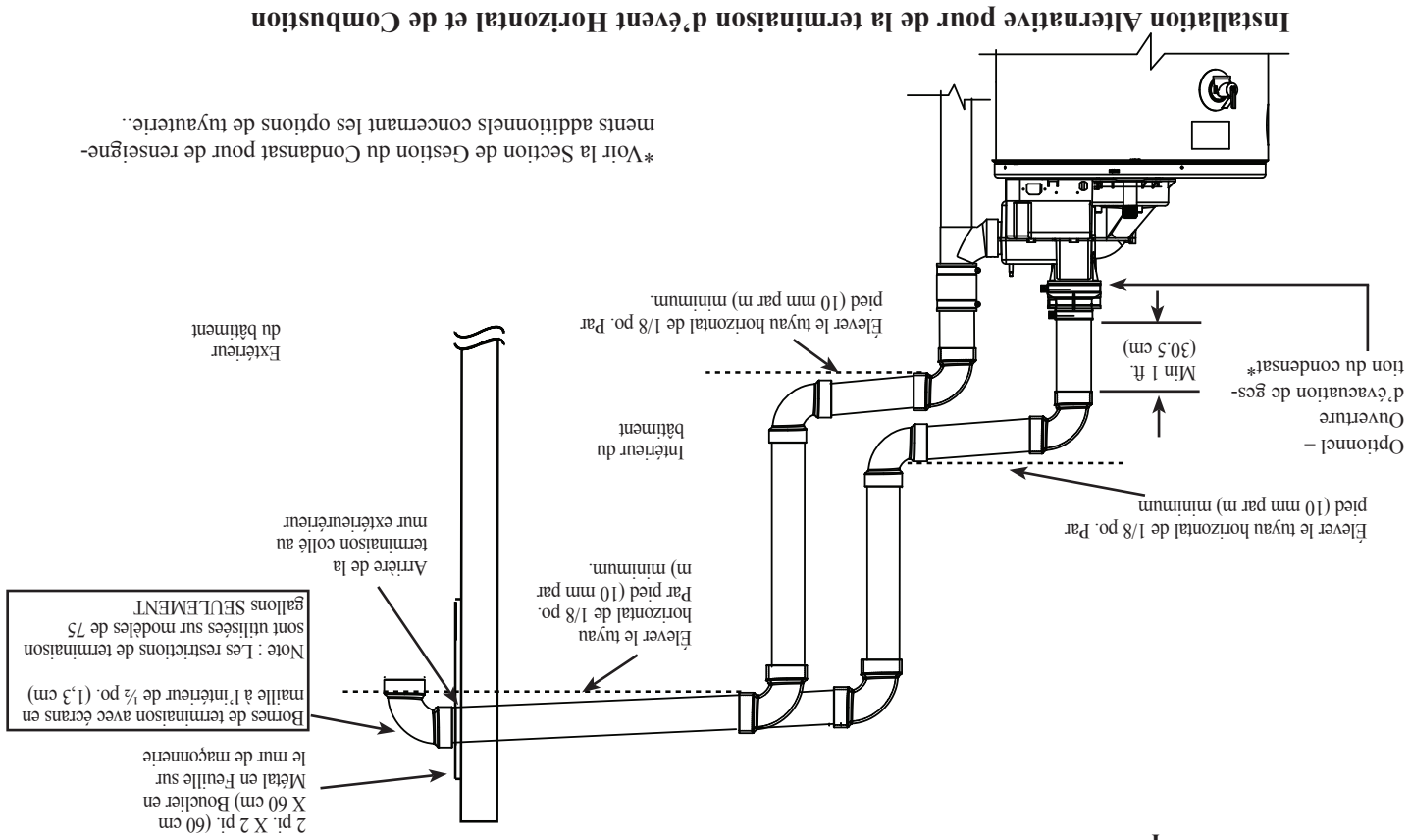
- Les terminaisons de l'évent et l'entrée d'air de combustion ne sont pas incluses dans les calculs d'équivalence.
 - Complétez l'installation du reste du système d'évent et le raccord de connexion d'évent sur l'ensemble du ventilateur du chauffe-eau.
 - Les sections horizontales du système d'évent doivent être inclinées vers le bas vers le chauffe-eau d'un minimum de 1/8 po. Par pied (10 mm par m).
- NE PAS utiliser des longueurs et raccords de dimensions différents pour le système d'évent et d'entrée d'air de combustion sauf tel que défini au préalable.
- AVIS : La différence de longueur équivalente entre l'évent et le système d'entrée d'air de combustion ne doit être supérieure à 5 pi. (1,5 m).
- Complétez l'installation du reste du système d'entrée d'air de combustion et le raccord de l'assemblage à l'assemblage du tube d'entrée d'air de combustion du chauffe-eau. Soutenez les longueurs verticales et horizontales de l'évent et d'entrée d'air de combustion des systèmes tel que mentionné précédemment.

IMPORTANT: Se rappeler d'inclure les coudes 90° et hauteurs verticales de l'évent et d'air de combustion des montants d'évent lors du calcul la longueur équivalente maximum des longueurs de l'évent et d'air de combustion. Les longueurs maximums du système d'évent et d'air de combustion doivent être telles que spécifiées aux Tableaux 1 ou 2.

Installation du chauffe-eau



Installation pour de la terminaison d'évent Horizontal et de Combustion



Installation Alternative pour de la terminaison d'évent Horizontal et de Combustion

Installation de la sortie horizontale d'évent et d'admission d'air de combustion

NE PAS utiliser des diamètres de tuyaux et raccords pour les systèmes d'évent ou de combustion sauf comme indiqués précédemment.

AVIS : La différence entre les longueurs équivalentes des systèmes d'évent et de combustion ne doit pas être supérieure à 5 pi. (1,5 m).

Terminer l'installation du reste du système d'admission d'air de combustion et le fixer au raccord de combustion sur l'ensemble du tube d'admission d'air de combustion du chauffe-eau.

• Soutenir les longueurs verticales et horizontales des systèmes d'évent et d'admission d'air de combustion comme précédemment mentionné.

Pour modèles à évent direct mécanique de 75 gallons SEULEMENT

Ces modèles de chauffe-eau sont fournis avec deux (2) sorties d'évent et d'admission d'air de combustion avec restricteurs. Ces restricteurs aident le chauffe-eau à atteindre l'efficacité maximale lorsque le chauffe-eau est installé en utilisant des tuyaux de 7,6 cm (3 po.) de diamètre de la longueur minimale équivalente d'évent et d'entrée d'air de combustion de 2,44 mètres (8 pieds).

IMPORTANT : Ne pas installer les restricteurs de sorties dans des longueurs d'évent et/ou d'entrée d'air de combustion supérieures à 2,44 mètres (8 pieds) ou à tout autre modèle à sortie d'évent direct mécanique.

REMARQUE : Les restricteurs de sortie sont utilisés **UNIQUEMENT** sur les modèles de 75 gallons.

Lire ces directives soigneusement et vous assurer que vous comprenez toutes les étapes et les procédures avant d'effectuer l'installation.

Déterminer l'emplacement des sorties d'admission d'air de combustion et d'évent puis faire deux (2) trous dans les murs extérieurs pour accommoder les tuyaux d'admission d'air de combustion et d'évent.

Maintenir une distance minimale de 30,5 cm (12 pouces) entre les lignes centrales de la sortie d'évent et d'admission d'air de combustion.

Insérer des longueurs d'évent et d'admission d'air de combustion dans le mur comme illustré.

• Permettre suffisamment de longueur de tuyau de sortie de l'extérieur du mur de l'édifice pour fixer les sorties d'admission d'air de combustion et d'évent.

Remarque : Pour les climats froids, les écrans peuvent être enlevés.

Placer les écrans de treillis en métal fournis de 1,3 cm (1/2 po.) à l'intérieur de chaque raccord de sortie.

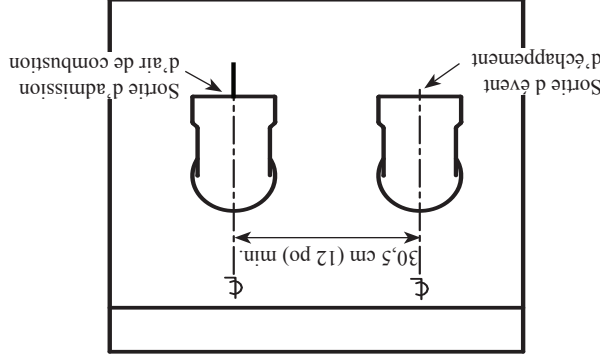
Connecter les sorties aux canalisations d'évent et d'admission d'air de combustion qui sortent de l'édifice.

• S'assurer que la partie arrière des sorties fournies sont de niveau avec la surface extérieure du mur.

Terminer l'installation du reste du système de ventilation et fixer le raccord de connecteur d'évent à l'ensemble du souffleur du chauffe-eau.

• Les longueurs horizontales du système d'évent doivent avoir une pente inclinée avec un minimum de 1/8 po. Par pied (10 mm par m).

IMPORTANT : Lorsque le système d'évent ne peut être incliné du chauffe-eau ou bien, si le système d'évent à des sections verticales, alors toutes les sections horizontales doivent aller vers le haut avec un minimum de 1/8 po. Par pied (10 mm par m).



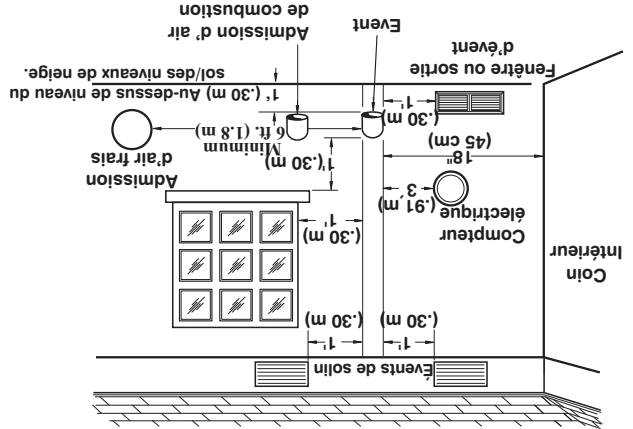
Installation du chauffe-eau

AVTS : Suivre les directives d'installation du fabricant du système de ventilation pour assurer la bonne installation du système de ventilation.

Emplacement de la sortie d'évent horizontale

Un évent ne doit pas sortir

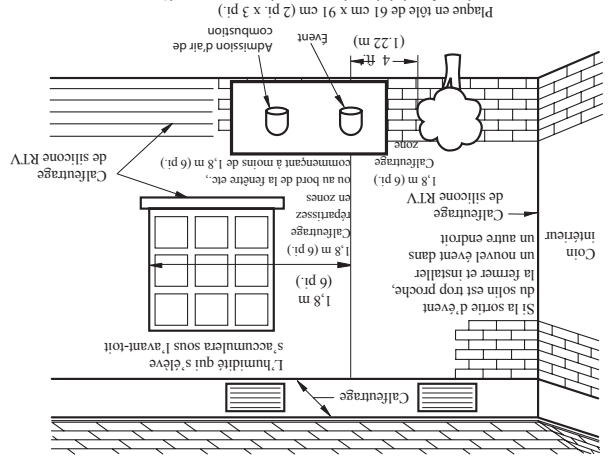
- Peut causer des risques dangereux de gel ou d'accumulations de glace sur les surfaces adjacentes à la propriété;
- Moins de 7 pieds (2,1 m) au-dessus d'un trottoir pavé ou une entrée d'auto situé sur un terrain public.
- Moins de 6 pieds (1,8 m) d'une admission d'air mécanique de n'importe quel édifice.
- Au-dessus d'un ensemble de compteur et régulateur à moins de 3 pieds (900 mm) horizontalement de la ligne centrale verticale de la sortie d'évent du régulateur jusqu'à une distance verticale maximale de 15 pieds (4,5 m).
- Saut si requis la norme CAN/CSA B149.1 du code d'installation du gaz naturel et propane, toutes les distances sont inférieures à celle de la sortie d'évent du régulateur de pression de gaz tel que détaillé.;
- Moins de 300 mm (1 pied) au-dessus du niveau des chutes de neige ou du niveau de sol, référence CAN/CSA B149.1 du code d'installation du gaz naturel et propane.
- Moins de 12 pouces (300 mm) d'une fenêtre ou d'une porte pouvant être ouverte, dans n'importe quel édifice, de toute entrée d'admission d'air non mécanique, dans n'importe quel édifice, ou de l'entrée d'admission d'air de combustion de n'importe quel autre appareil.
- Sous une véranda, un porche ou un patio sauf si
- la véranda, le porche ou le patio sont complètement ouverts d'un minimum de deux côtés en-dessous du plancher; et
- la distance entre le sommet de la sortie d'évent et la partie intérieure de la véranda, du porche ou patio est supérieure à 1 pied (300 mm).



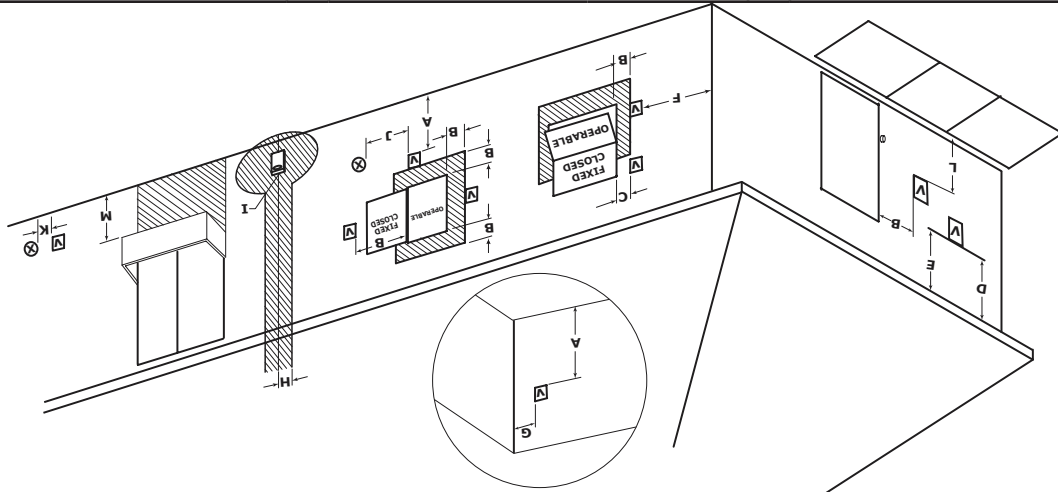
Considérations supplémentaires

- 1 Pour éviter que l'humidité se congèle sur les murs et sur les avant-toits, ne pas placer la sortie d'évent sur le côté d'un édifice exposé aux vents d'hiver.
- 2 Lors de l'installation de la sortie d'évent, à travers des surfaces de briques ou de maçonnerie, l'installation d'une feuille de métal résistante à la rouille derrière l'évent et admission d'air de combustion est recommandée.
- 3 NE PAS placer la sortie d'évent trop près d'arbustes, étant donné que les gaz d'évacuation peuvent les endommager.
- 4 Calfeutrer toutes les fentes et les joints à 1,83 mètres (6 pieds) de la sortie d'évent et d'admission d'air de combustion.
- 5 Isoler la conduite d'évent exposée aux conditions froides (greniers, espaces sanitaires, etc.) avec des matériaux ininflammables pour éviter toute pénétration d'humidité dans la conduite d'évent.
- 6 Soutenir les sections horizontales des tuyaux d'admission d'air de combustion et d'évent tous les 1,22 mètre (4 pieds). NE PAS sécuriser rigide le système de ventilation. Des dispositions doivent être prises pour permettre la dilatation et la contraction du système de ventilation.
- 7 NE PAS installer les terminaisons d'évent et de combustion à moins de 1 pi. (30 cm) au-dessus du sol ou de la hauteur moyenne des chutes de neige, en fonction de celle la plus élevée.
- 8 Sceller en permanence les ouvertures annulaires autour des entrées des systèmes d'évent et de combustion en utilisant les matériaux approuvés afin de prévenir l'entrée de produits de combustion à l'intérieur du bâtiment

AVERTISSEMENT : L'humidité des gaz d'évacuation se condensera lorsque ils sortent de la sortie d'évent. Par temps froids, cette humidité peut se congeler sur le mur extérieur, sous les avant-toits et sur les objets environnants. Une certaine décoration de l'extérieur de l'édifice peut se produire. Toutefois, une mauvaise installation peut résulter en des dégâts graves à la structure ou au fini extérieur de l'édifice.



Dégagements de sortie d'évent direct - Canada

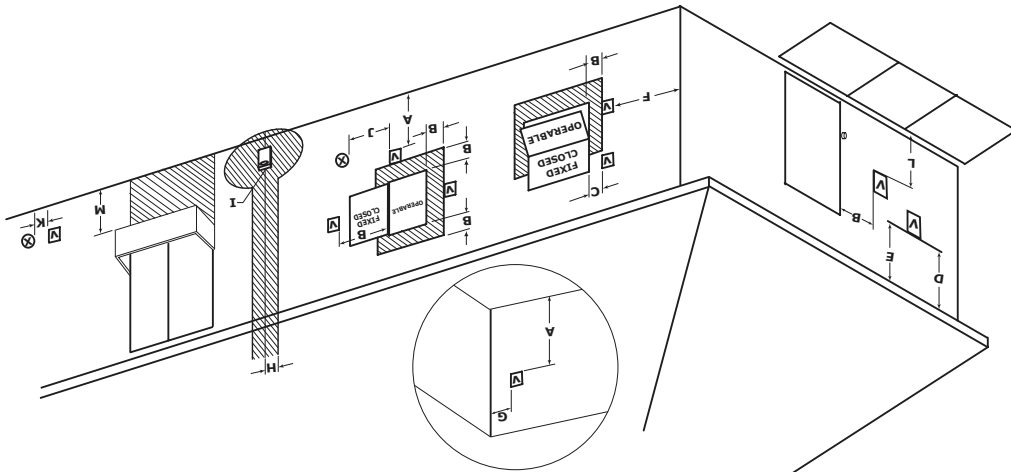


<input type="checkbox"/> SORTIE D'ÉVENT <input checked="" type="checkbox"/> ENTRÉE D'ADMISSION D'AIR <input type="checkbox"/> ENDROIT OÙ LA SORTIE N'EST PAS PERMISE	
Installations canadiennes ¹	
A = Dégagement du sol, véranda, balcon ou patio	12 pouces (30 cm)
B = Dégagement à une fenêtre ou porte qui peut être ouverte	1 pied (30 cm) pour appareils < 10,000 BTUH (3 Kw)
C = Dégagement à une fenêtre fermée en permanence	* 1 pied (30 cm)
D = Dégagement vertical à un sous-toit ventilé localisé au-dessus de l'évent	2 pieds (61 cm)
E = Dégagement à un sous-toit sans ventilation	1 pied (30 cm)
F = Dégagement à un coin extérieur	1 pied (30 cm)*
G = Dégagement à un coin intérieur	2 pieds (61 cm)
H = Dégagement de chaque côté de la ligne de centre au-dessus du compteur/régulateur	3 pieds (91 cm) à l'intérieur d'une hauteur de 15 pieds (4,57 m) au-dessus du compteur/régulateur
I = Dégagement à la sortie d'évent du régulateur de service	3 pieds (91 cm)
J = Dégagement à une entrée d'air non forcée au bâtiment ou entrée d'air de combustion pour tout autre appareil	1 pied (30 cm) pour appareils > 10,000 BTUH (3 Kw)
K = Dégagement à une entrée d'air mécanique.	6 pieds (1.83 m)
L = Dégagement au-dessus d'un trottoir pavé ou entrée d'auto situé sur un terrain public	7 pieds (2.13 m)
M = Dégagement en-dessous d'une véranda, balcon ou patio	12 pouces (30 cm)

¹ En conformité à la norme CSA B149.1, Installation pour gaz naturel et propane.
 * Une sortie d'évent ne se terminera pas directement au-dessus d'un trottoir pavé ou entrée d'auto pavée qui est situé entre deux habitations à une famille et qui dessert les deux habitations.
 ** Permis seulement si la véranda, le balcon ou le patio sont complètement ouverts d'un minimum de deux côtés en-dessous du plancher.
 Pour les dégagements non précisés dans la norme CSA B149.1, la déclaration suivante devra être incluse : « Dégagement conforme avec les codes d'installation locaux et les exigences du fournisseur de gaz ».

Installation du chauffe-eau

Dégagements de sortie d'évent direct - US



<input type="checkbox"/> SORTIE D'ÉVENT	<input checked="" type="checkbox"/> ENTRÉE D'ADMISSION D'AIR	<input checked="" type="checkbox"/> ENDROIT OÙ LA SORTIE N'EST PAS PERMISE
---	--	--

Installations américaines

A = Dégagement du sol, véranda, balcon ou patio 12 pouces (30 cm)	B = Dégagement à une fenêtre ou porte qui peut être ouverte 6 pouces (15 cm) pour appareils ≤ 10,000 BTUH (3 kW), 9 pouces (23 cm) pour appareils > 10,000 BTUH (3 kW) et ≤ 50,000 BTUH (15 kW), 12 pouces (30 cm) pour appareils > 50,000 BTUH (15 kW)	C = Dégagement à une fenêtre fermée en permanence *
D = Dégagement vertical à un sous-toit ventilé localisé au-dessus de l'évent *	E = Dégagement à un sous-toit sans ventilation *	F = Dégagement à un coin extérieur *
G = Dégagement à un coin intérieur *	H = Dégagement de chaque côté de la ligne de centre au-dessus du compteur/régulateur *	I = Dégagement à la sortie d'évent du régulateur de service *
J = Dégagement à une entrée d'air non forcée au bâtiment ou entrée d'air de combustion pour tout autre appareil 6 pouces (15 cm) pour appareils ≤ 10,000 BTUH (3 kW), 9 pouces (23 cm) pour appareils > 10,000 BTUH (3 kW) et ≤ 50,000 BTUH (15 kW), 12 pouces (30 cm) pour appareils > 50,000 BTUH (15 kW)	K = Dégagement à une entrée d'air mécanique 3 pieds (91 cm) au-dessus si à l'intérieur de 10 pieds (3 m) horizontalement	L = Dégagement au-dessus d'un trottoir pavé ou entrée d'auto situé sur un terrain public *
M = Dégagement en-dessous d'une véranda, balcon ou patio *	1 En conformité à la présente norme ANSI Z223.1/NFPA 54, Installation pour gaz naturel et propane. *Pour les dégagements non précisés dans la norme ANSI Z223.1/NFPA 54, la déclaration suivante devra être incluse : « Dégagement conforme avec les codes d'installation locaux et les exigences du fournisseur de gaz ».	

*Utiliser uniquement des sorties concentriques Rheem de 7,6 cm (3 po.).

Tableau 1							
<i>Du niveau de la mer jusqu'à 609 m (2 000 pieds) au dessus du niveau de la mer</i>							
Modèle	Pouces	Pieds	Mètres	Pieds	Mètres	Sorties des systèmes d'évent et d'admission d'air de combustion	
						Diamètre des systèmes d'évent et d'admission d'air de combustion	Longueurs équivalentes minimales permises des systèmes d'évent et d'admission d'air de combustion (chaque longueur de tuyau)
50 gallons, 65 000 et 47 000 Btu/h	4	7	2	100	30	Coudes à 90°	Concentrique
	3	7	2	40	12		
	3	7	2	55	17	Coudes à 90°	
50 gallons, 65 000 et 47 000 Btu/h	3	7	2	100	30	Coudes à 90°	Concentrique
	4	7	2	40	12		
	3	7	2	55	17	Coudes à 90°	
50 gallons, 65 000 et 47 000 Btu/h	3	8	2,5	100	30	Coudes à 90°	Concentrique
	4	8	2,5	40	12		
	3	8	2,5	50	15	Coudes à 90°	
50 gallons, 65 000 et 47 000 Btu/h	3	8	2,5	100	30	Coudes à 90°	Concentrique
	4	8	2,5	40	12		
	3	8	2,5	50	15	Coudes à 90°	
50 gallons, 65 000 et 47 000 Btu/h	3	7	2	100	30	Coudes à 90°	Concentrique
	4	7	2	40	12		
	3	7	2	50	15	Coudes à 90°	
50 gallons, 65 000 et 47 000 Btu/h	3	8	2,5	100	30	Coudes à 90°	Concentrique
	4	8	2,5	40	12		
	3	8	2,5	50	15	Coudes à 90°	
50 gallons, 65 000 et 47 000 Btu/h	3	8	2,5	100	30	Coudes à 90°	Concentrique
	4	8	2,5	40	12		
	3	8	2,5	50	15	Coudes à 90°	
75 gallons, 75 100 et 70 000 Btu/h	3	8	3	100	30	Coudes à 90°	Concentrique
	4	8	3	40	12		
	3	8	3	20	6		
75 gallons, 75 100 et 70 000 Btu/h	3	8	3	100	30	Coudes à 90°	Concentrique
	4	8	3	40	12		
	3	8	3	20	6		
75 gallons, 75 100 et 70 000 Btu/h	3	7	2	100	30	Coudes à 90°	Concentrique
	4	7	2	40	12		
	3	7	2	55	17	Coudes à 90°	

De 609 m (2 000 pieds) au-dessus du niveau de la mer jusqu'à 1 828 m (5 999 pi.) au dessus du niveau de la mer

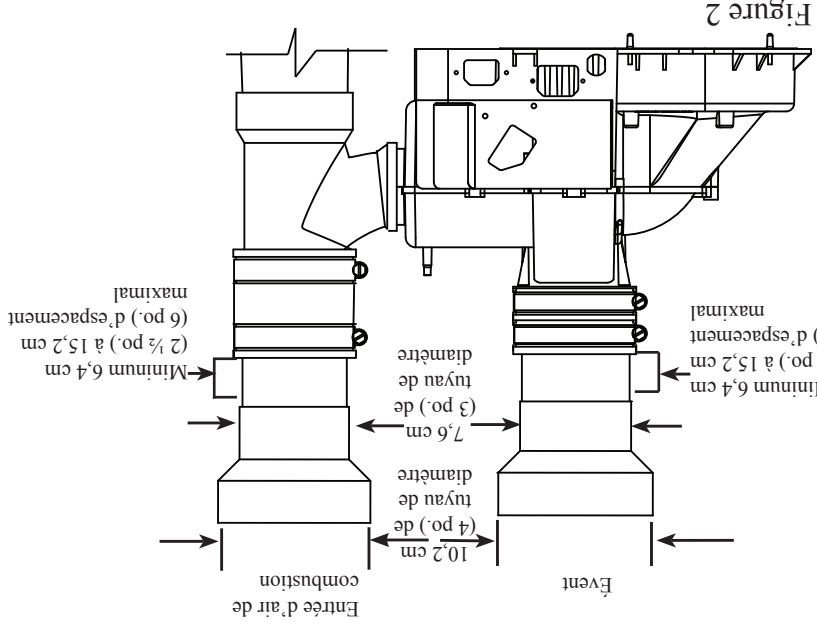
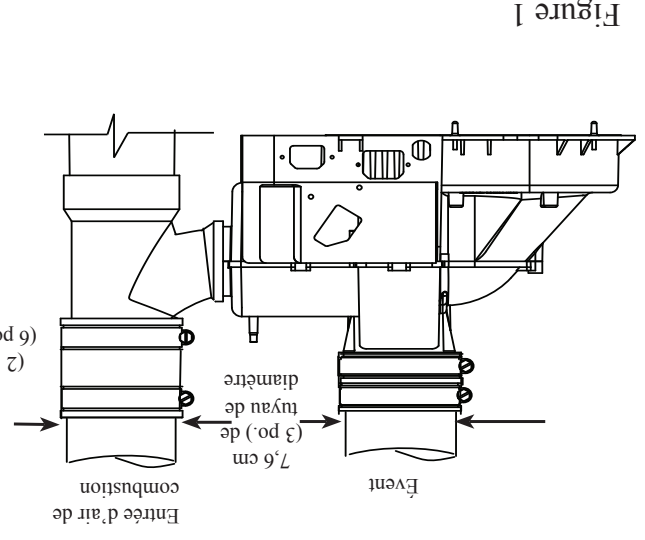
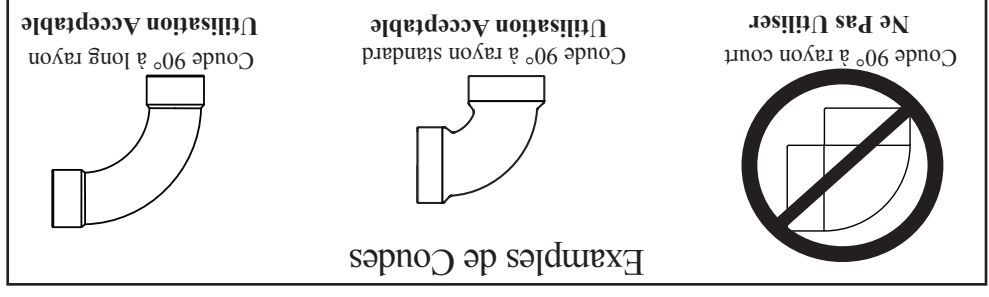
Installation du chauffe-eau

Les longueurs équivalentes minimales et maximales pour les systèmes d'admission d'air de combustion et d'évent sont illustrées dans le Tableau 1.

- Maintenir une hauteur verticale minimale de 30,5 cm (1 pied) de tuyau, y compris des raccords d'évasement (si utilisés), à partir de l'échappement du souffleur avant d'utiliser un coude.
- Les sorties d'admission d'air de combustion et d'évent ne sont pas incluses dans les calculs de l'équivalence.

Remarque : Un (1) coude à courbe standard de ¼ po. à 90 degrés est équivalent à 1,52 mètre (5 pieds) de tuyau droit et Un (1) coude à courbe standard de 1/8 po. est équivalent à 0,76 mètre (2,5 pieds) de tuyau droit.

NE PAS utiliser de coudes à courbe courte. Voir les exemples



Longueurs minimales et maximales d'évent et d'admission d'air de combustion pour les modèles à ventilation mécanique directe de :

50 gallons avec entrée de 65 000 et 47 000 Btu/h

65 gallons avec entrée de 65 000 et 56 000 Btu/h

75 gallons avec entrée de 75 100 et 70 000 Btu/h

Lire ces directives soigneusement et vous assurer que vous comprenez toutes les étapes et les procédures avant d'effectuer l'installation.

1. Raccorder la canalisation du système d'évent à l'ensemble du souffleur en utilisant le coupleur en caoutchouc de 7,6 cm (3 po.) de diamètre et les brides déjà installées.
2. Connecter les canalisations du système d'admission d'air de combustion au té de la canalisation en utilisant le coupleur en caoutchouc de 7,6 cm (3 po.) de diamètre, et les brides déjà installées (voir Figure 1).
3. Pour les sorties d'évent et d'admission d'air de combustion, utiliser les deux (2) coudes de 7,6 cm (3 po.) de diamètre à 90 degrés en PVC, calibre 40, selon la norme de 1/4 po. et avec les coudes fournis avec le chauffe-eau.

1. Raccorder une longueur droite de 7,6 cm (3 po.) de diamètre au coupleur de té de canalisation d'admission d'air de combustion.
2. Suivi par un raccord de 7,6 cm (3 po.) à 10,2 cm (4 po.) de diamètre (Voir Figure 2).

Remarque : La différence entre les longueurs équivalentes du système d'admission d'air de combustion et d'évent ne doit pas être supérieure à 1,5 m (5 pi.).

IMPORTANT : S'assurer que toutes les brides de coupleur sont serrées avant de permettre le fonctionnement du chauffe-eau.

1. Installer un tuyau de 7,6 cm (3 po.) de diamètre, approuvé UL-C-S636 utilisé au coupleur en caoutchouc de l'ensemble du souffleur du chauffe-eau.
2. Avec un raccord réducteur de 7,6 cm (3 po.) à 10,2 cm (4 po.) de diamètre (voir Figure 2).

Les sorties d'admission d'air de combustion et d'évent du chauffe-eau doivent être installées dans la même zone de pression atmosphérique.

Installation du chauffe-eau

Ventilation et admission d'air de combustion – Canada seulement

La méthode de soutien utilisée pour isoler la conduite d'évent des solives de plancher et d'autres membres structuraux pour aider à éviter la transmission de bruit et de vibration. Ne pas soutenir, fixer ou sécuriser d'une manière quelconque le système de ventilation et l'admission d'air de combustion d'une manière qui restreindra l'expansion et la contraction thermique normale du matériau de ventilation choisi.

Si le chauffe-eau est installé comme un remplacement d'un chauffe-eau existant à ventilation mécanique, une inspection soignée de la ventilation et d'admission d'air de combustion existante devra être effectuée avant que tous les travaux d'installation soient effectués. L'évent existant doit être conforme avec les exigences du code.

1 Vérifier que les matériaux adéquats, tels que détaillés dans ce manuel ont été utilisés et que les longueurs minimales et maximales d'évent et d'admission d'air de combustion et l'emplacement des sorties tel que détaillé dans ce manuel ont été respectées.

2 Inspecter soigneusement le système de ventilation et d'admission d'air de combustion dans sa totalité pour indications de fracture ou de fentes, particulièrement aux joints entre les coudes et autres raccords et aux longueurs droites de conduite d'évent.

3 Vérifier le système de ventilation et d'admission d'air de combustion pour toutes indications d'affaiblissement ou autres contraintes des joints à la suite du désalignement des éléments du système.

4 Si l'une quelconque de ces conditions est trouvée, elle doit être corrigée conformément aux directives de ventilation de ce manuel avant de terminer l'installation de votre chauffe-eau et de le mettre en service.

Le chauffe-eau est un appareil à ventilation directe et peut être installé de manière à ce que l'air de combustion soit directement alimenté de l'extérieur et que tous les gaz d'échappement soient évacués vers l'extérieur. Pour assurer une bonne installation de l'évent et du système d'admission d'air de combustion, suivre les directives détaillées dans ce manuel et celles indiquées dans l'édition courante B149.1

NE PAS connecter ce chauffe-eau à un évent ou une cheminée existante. Il doit être ventilé séparément de tous les autres appareils. Ce chauffe-eau doit être ventilé à l'extérieur avec un système de ventilation certifié selon la norme ULC-S636 (édition courante) des laboratoires des assureurs du Canada.

Le système de ventilation doit être installé conformément aux directives d'installation du fabricant du système de ventilation. Les premiers 90 cm (3 pieds) de la sortie de l'appareil doivent être aisément accessibles pour inspection visible.

AVIS : Cette unité doit être ventilée en utilisant des canalisations dans des conduites et des raccords de 7,6 cm (3 po.) ou 10,2 cm (4 po.) de diamètre en PVC ou CPVC, les pages 15 à 26 pour les dimensions approuvées selon le modèle du chauffe-eau.

Les canalisations d'évent et d'admission d'air de combustion doivent être adéquatement soutenues le long des longueurs verticales et horizontales. Les systèmes d'évent et d'admission d'air de combustion de ce chauffe-eau peuvent être installés horizontalement à travers le mur ou verticalement à travers le toit.

La longueur maximale non supportée est recommandée de ne pas être supérieure à 1,22 m (4 pieds).

AVIS : Il est impératif que le premier support soit situé sur la longueur horizontale immédiatement adjacente au premier coude à 90 degrés de la canalisation de la conduite d'évent verticale connectée au chauffe-eau.

Températures Ambiantes d'Installation et spécifications du Système d'Évent		Jusqu'à 100°F (38°C)		100°F (38°C) to 125°F (52°C)	
Modèles		0 à 10 pi. Longueur équivalente du système	10 pi. À Max. Longueur équivalente du système	0 à 10 pi. Longueur équivalente du système	10 pi. À Max. (3 m à Max.) Longueur équivalente du système
Modèles 65 gallons, 65,000 & 56,000 Btu/Hr		PVC ou CPVC		CPVC	PVC ou CPVC
Modèles 50 gallons, 65,000 & 47,000 Btu/hr		CPVC		PVC, ou CPVC	CPVC
Modèles 75 gallons, 75,100 & 70,000 Btu/hr		CPVC		PVC, ou CPVC	CPVC

AVIS: AVIS : Le chauffe-eau peut être installé dans les greniers si les températures ambiantes n'excèdent pas 125°F (52°C) et que des tuyaux et raccords en CPVC homologués ULC-S636 soient utilisés pour tout le système.

▲ DANGER : Si les systèmes d'évent et d'admission d'air de combustion ne sont pas installés adéquatement, la combustion peut se produire dans la section ventilation et l'admission d'air de combustion de ce manuel, il en résultera un fonctionnement non sécuritaire du chauffe-eau, risquant de causer des blessures corporelles, une explosion, un incendie ou la mort.

Pour éviter tout risque d'incendie, d'explosion ou d'asphyxie par le monoxyde de carbone, NE JAMAIS faire fonctionner le chauffe-eau sans s'il est adéquatement ventilé et qu'il dispose d'une admission d'air de combustion adéquate pour assurer un bon fonctionnement tel que détaillé dans la section ventilation et admission d'air de combustion de ce manuel.

AVIS : Cet appareil est équipé d'un capteur de vapeurs inflammables. Ne pas mettre sous tension avant que suffisamment de temps ait passé pour permettre aux vapeurs provenant de l'appât et du ciment de se dissiper.

La canalisation du système d'admission d'air doit être raccordée au système d'admission d'air de la canalisation d'admission d'air de combustion du chauffe-eau, avec le coupleur en caoutchouc et les brides fournies.

canalisations d'évent et les systèmes d'admission d'air de combustion :

PVC (calibre 40 DWV, ASTM D2665)

CPVC (calibre 40, ASTM F438)

ABS (calibre 40 DWV, ASTM D2661)

NE PAS mélanger les tuyaux et les raccords d'ABS avec des tuyaux de PVC ou CPVC. Nota : Il n'est pas acceptable d'interchanger les tuyaux et les raccords de PVC et CPVC.

NOTE : Ce chauffe-eau peut être installé dans les greniers lorsque la température ambiante n'exécède pas 125°F (52°C) et lorsque des tuyaux et raccords en CPVC ou ABS sont utilisés pour tout le système d'évent.

Les systèmes d'évent et d'admission d'air de combustion doivent être adéquatement soutenus le long des longueurs verticales et horizontales.

Les systèmes d'évent et d'admission d'air de combustion de ce chauffe-eau peuvent être installés horizontalement à travers le mur ou verticalement à travers le toit.

La longueur maximale non supportée est recommandée de ne pas être supérieure à 1,22 m (4 pieds).

Il est impératif que le premier support soit situé sur la longueur horizontale immédiatement adjacente au premier coude à 90 degrés de la canalisation de la conduite d'évent verticale connectée au chauffe-eau.

La méthode de soutien utilisée doit isoler la conduite d'évent des solives de plancher et d'autres membres structuraux pour aider à éviter la transmission de bruit et de vibration.

Ne pas soutenir, fixer ou sécuriser d'une manière quelconque le système de ventilation et d'admission d'air de combustion d'une manière qui restreindra l'expansion et la contraction thermique normale du matériau de ventilation choisi. Si le chauffe-eau est installé comme un remplacement d'un chauffe-eau existant à ventilation mécanique, une inspection soignée de la ventilation et d'admission d'air de combustion existante devra être effectuée avant que tous les travaux d'installation soient effectués.

1 Vérifier que les matériaux adéquats, tels que détaillés dans ce manuel ont été utilisés et que les longueurs minimales et maximales d'évent et d'admission d'air de combustion et l'emplacement des sorties tel que détaillé dans ce manuel ont été respectées.

2 Inspecter soigneusement le système de ventilation et d'admission d'air de combustion dans sa totalité pour indications de fracture ou de fentes, particulièrement aux joints entre les coudes et autres raccords et aux longueurs droites de conduite d'évent.

3 Vérifier le système de ventilation et d'admission d'air de combustion pour toute indication d'affaiblissement ou autres contraintes des joints à la suite de désalignement des éléments du système.

4 Si l'une quelconque de ces conditions est trouvée, elle doit être corrigée et d'autres membres structuraux pour aider à éviter la transmission de bruit et de vibration.

terminer l'installation de votre chauffe-eau et de le mettre en service.

Températures Ambiantes d'Installation et spécifications du Système d'Event		Jusqu'à 100°F (38°C)		100°F (38°C) à 125°F (52°C)	
Modèles	Longueur équivalente lente du système (0 à 3 m)	10 pi. À Max. (3 m à Max.)	Longueur équivalente du système	Longueur équivalente du système	Longueur équivalente du système
	Longueur équivalente (0 à 3 m)	0 à 10 pi.	Longueur équivalente du système	Longueur équivalente du système	Longueur équivalente du système
Modèles 65 gallons, 65,000 & 56,000 Btu/Hr	PVC, CPVC, ou ABS		CPVC ou ABS		PVC, CPVC, ou ABS
Modèles 50 gallons, 65,000 & 47,000 Btu/hr	CPVC ou ABS		PVC, CPVC, ou ABS		PVC, CPVC, ou ABS
Modèles 75 gallons, 75,100 & 70,000 Btu/hr	CPVC ou ABS		PVC, CPVC, ou ABS		PVC, CPVC, ou ABS

AVIS : Ce chauffe-eau peut être installé dans les greniers si les températures ambiantes n'exécèdent pas 125°F (52°C) et que des tuyaux et raccords en CPVC soient certifiés UL-C-S636 et utilisés pour tout le système.

Installation du chauffe-eau

Recherche de fuites

- 2 Utiliser une solution savonneuse pour rechercher les fuites aux connexions et aux raccords. La présence de bulles indiquera une fuite de gaz qui doit être corrigée.
- Les connexions d'usine à la soupape de gaz et aux raccords doivent aussi être vérifiées pour déceler des fuites lorsque le chauffe-eau est mis en service.

▲AVERTISSEMENT : Ne jamais utiliser une flamme nue pour rechercher des fuites de gaz étant donné que des blessures, des dégâts à la propriété ou même la mort pourraient en résulter.

- 1 Ouvrir la soupape manuelle de gaz qui fournit le gaz au chauffe-eau.

Essai de pression du système d'alimentation en gaz

Le chauffe-eau et sa soupape manuelle d'arrêt du gaz doivent être déconnectés du système de canalisations d'alimentation de gaz lors de l'essai de pression du système à des pressions supérieures à ½ lb/po² (3,5 kPa). Le chauffe-eau doit être isolé du système d'alimentation de gaz à des pressions égales ou inférieures à 3,5 kPa (1/2 lb/po²).

Haute altitude

L'étalonnage des appareils à gaz est basé sur le fonctionnement au niveau de la mer. À des altitudes plus élevées, le taux d'admission réel peut être inférieur à la valeur indiquée sur l'étiquette signalétique. Ce chauffe-eau peut être installé à des altitudes jusqu'à 1 828 m (5 999 pi.) au-dessus du niveau de la mer.

▲Avertissement : Si un chauffe-eau convenant pour l'altitude de l'endroit où il doit être utilisé n'est pas installé, il peut en résulter un fonctionnement inadéquat de l'appareil, risquant de causer des dégâts à la propriété et/ou de produire du monoxyde de carbone, ce qui pourrait résulter en des blessures personnelles ou la mort.

Ventilation et admission d'air de combustion – E.-U. seulement

PVC (DWV, ASTM-D2665 ou CSA B181.2)
PVC (calibre 40, ASTM-D1785 ou CSA B137.3)
PVC (série SDR, ASTM-D2241 ou CSA B137.3)
CPVC (CPVC 4120, ASTM-D2846 ou CSA B137.6)
CPVC (calibre 40, ASTM-F441 ou CSA B137.3)
CPVC (série SDR, ASTM-F442)
ABS (calibre 40, DWV, ASTM-D2661 ou CSA B181.1)
ABS (calibre 40, DWV, à noyau cellulaire, ASTM-F628)
Ce chauffe-eau est approuvé pour utilisation avec des matériaux suivants pour les

Ce chauffe-eau est un appareil à ventilation directe et peut être installé de manière à ce que l'air de combustion soit directement alimenté de l'extérieur et que tous les gaz d'échappement soient évacués vers l'extérieur. Pour assurer une bonne installation de l'évent et du système d'admission d'air de combustion, suivre les directives détaillées dans ce manuel et celles indiquées dans l'édition courante B149.1.

NE PAS connecter ce chauffe-eau à un évent ou une cheminée existante. Il doit être ventilé séparément de tous les autres appareils.

AVIS : Ce chauffe-eau est approuvé pour utilisation avec les matériaux suivants pour les canalisations d'évent et les systèmes d'admission d'air de combustion :

PVC (calibre 40, à noyau cellulaire, ASTM-F891)

Remplissage du chauffe-eau

Un jet d'eau uniforme provenant du robinet indiquera que le chauffe-eau est plein. Ne pas permettre au capteur de vapeurs inflammables d'être submergé dans l'eau.

S'assurer que la soupape d'évacuation est fermée. Ouvrir la soupape de fermeture de la canalisation d'alimentation en eau froide. Ouvrir un robinet d'eau chaude à proximité, lentement pour permettre à l'air de s'évacuer du chauffe-eau et des canalisations.

▲AVERTISSEMENT : Le

réservoir doit être plein d'eau avant de mettre le chauffe-eau sous tension. La garantie du chauffe-eau ne couvre pas les dommages ou les défaillances résultant d'un fonctionnement avec un réservoir vide ou partiellement vide.

Condensation

Cette situation n'est pas inhabituelle et disparaîtra lorsque l'eau sera chauffée. Toutefois, si la condensation continue de se produire, examiner les canalisations et les raccords pour des fuites possibles.

De la condensation peut se former sur le réservoir lorsqu'il est rempli d'eau pour la première fois. La condensation peut aussi se produire lors d'usage important de l'eau et de température d'alimentation d'eau très froide. Des gouttes d'eau qui tombent sur le brûleur peuvent produire un bruit de grésillement.

Alimentation en gaz

d'arrêt de l'équipement, et plus proche que possible de l'entrée de l'appareil, au moment de l'installation de l'appareil. La trappe à sédiments sera soit un T_é comportant un raccord fermé à sortie à la base ou tout autre dispositif reconnu comme étant une trappe à sédiments efficace.

Ne pas utiliser de force excessive (plus de 31,5 p/lb, 42,7 N●m.) pour serrer le raccord du tuyau à la soupape de contrôle gaz (thermostat), particulièrement si l'on utilise du composé étanche à base de téflon, car le corps de la soupape risque d'être endommagé.

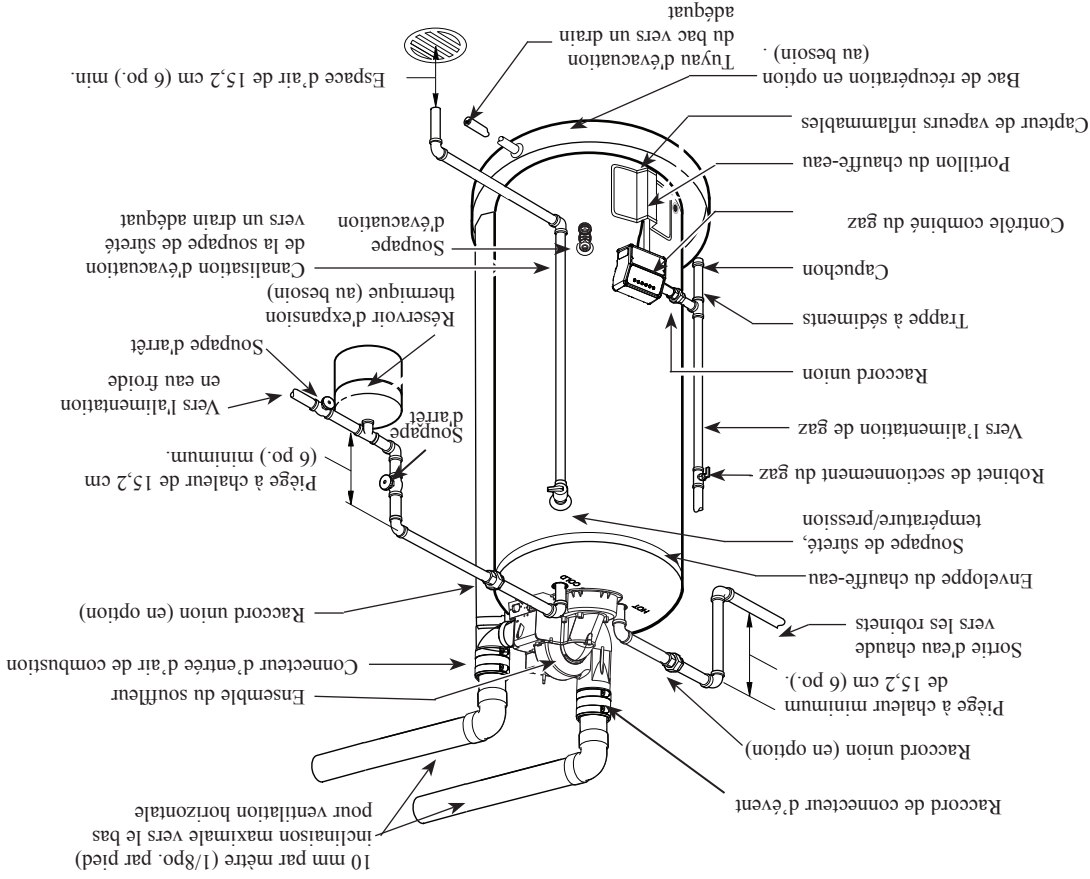
La pression d'entrée de gaz au chauffe-eau ne doit pas excéder 3,5 kPa (14 po. C.E.) pour le gaz naturel et 3,5 kPa (14 po. C.E.) pour le gaz liquide. Dans le but d'effectuer les ajustements d'entrée, la pression minimale d'entrée de gaz (avec le brûleur principal allumé) est illustrée sur la plaque signalétique du chauffe-eau. S'il y a des fluctuations élevées ou basses de pression du gaz, veuillez communiquer avec le fournisseur de gaz pour effectuer les corrections.

La canalisation d'alimentation de gaz au chauffe-eau doit être un tuyau en acier propre, du format adéquat ou tout autre matériau approuvé pour canalisations de gaz. Un raccord union ou un connecteur pour appareil au gaz semi-rigide ou flexible certifié selon la norme ANSI doit être installé sur la canalisation de gaz, à proximité du chauffe-eau. Pour les États-Unis, le National Fuel Gas Code (NFGC) exige l'installation d'une soupape d'arrêt manuelle : voir (NFGC) pour les directives complètes. Le code national CSA de gaz exige l'installation d'une soupape d'arrêt manuelle du gaz : Voir le code d'installation pour gaz naturel et propane pour les directives complètes, norme CAN/CSA B149.1.

Le composé d'étanchéité utilisé sur les joints filetés des canalisations de gaz doit être d'un type résistant à l'action du gaz liquide. Utiliser le composé uniquement sur les filetages mâles. Lorsqu'une trappe à sédiments n'est pas incorporée comme faisant partie de l'appareil, une trappe à sédiments devra être installée en aval de la soupape

Installation du chauffe-eau

Installation typique



AVIS : Le National Fuel Gas Code (NFGC) exige l'installation d'une soupape d'arrêt manuelle : voir (NFGC) pour les directives complètes. Les codes locaux ou les exigences de plomberie peuvent varier des instructions ou des diagrammes fournis et ont précédence sur ces directives.

AVIS : L'association canadienne de normalisation exige l'installation d'une soupape manuelle d'arrêt du gaz. Consulter le code d'installation pour gaz naturel et propane CAN/CSA-B149.1 pour les directives complètes.

Soupape de sûreté

L'étalonnage de pression de la soupape de sûreté ne doit pas excéder 1 034 kPa (150 psi), la pression maximale d'opération du chauffe-eau tel qu'indiqué sur sa plaque signalétique.

L'étalonnage en Btu/h de la soupape de sûreté doit être égal ou excéder l'étalonnage d'entrée en Btu/h du chauffe-eau tel qu'indiqué sur sa plaque signalétique.

Raccorder la sortie de la soupape de sûreté vers un drain ouvert adéquat. La canalisation utilisée doit être d'un type approuvé pour la distribution d'eau chaude.

La canalisation d'évacuation ne peut être intérieure au diamètre de sortie de la soupape et doit être inclinée vers le bas pour permettre à la soupape et à la canalisation d'évacuation d'être totalement évacuée (par gravité).

L'extrémité de la canalisation d'évacuation ne doit pas être filée ou dissimulée et doit être protégée du gel. Aucune soupape quelconque, raccord de restriction ou de réduction ne doit être installé sur la canalisation d'évacuation.

AVIS : Le chauffe-eau ne doit pas être installé à proximité d'une admission d'air contenant des hydrocarbures halogénés.

Atmosphères corrosives

L'air de salons de beauté, d'établissements de nettoyage à sec, de laboratoires de traitement photographique et les zones de rangement pour javellissants liquides et en poudre ou pour produits chimiques pour piscine contiennent souvent des hydrocarbures halogénés. Une admission d'air contenant des hydrocarbures halogénés peut être sans danger pour la respiration, mais lorsqu'elle traverse une flamme de gaz, des éléments corrosifs sont dégagés qui réduiront la durée de vie de Des propulseurs provenant d'aérosols communs ou des fuites de gaz provenant d'équipement de climatisation et de réfrigération sont aussi extrêmement corrosifs lorsqu'ils traversent une flamme. La garantie du chauffe-eau ne couvre pas la défaillance du réservoir causée par une installation dans une atmosphère corrosive.

Expansion thermique

Déterminer si une soupape de sécurité existe dans la canalisation d'alimentation d'eau locaux. Elle peut être installée dans la canalisation d'eau froide sous la forme d'un dispositif de prévention du retour séparé ou elle peut faire partie d'une soupape de réduction de la pression, d'un compteur d'eau ou d'un adoucisseur d'eau. Une soupape de sécurité placée sur la canalisation d'alimentation en eau froide peut causer ce que l'on appelle un «système d'alimentation d'eau ferme». Une canalisation d'alimentation d'eau froide sans soupape de sûreté ou dispositif de prévention de retour s'appelle un «système d'alimentation d'eau ouvert».

Lorsque l'eau est chauffée, son volume augmente et elle crée une augmentation dans la pression du système d'alimentation d'eau. Cette action s'appelle «**expansion thermique**». Dans un système d'alimentation d'eau «ouvert», l'eau excédant la capacité du chauffe-eau revient en arrière dans la canalisation d'alimentation principale de l'eau de la ville où la pression est aisément dissipée. Dans un «système d'alimentation d'eau ferme», toutefois, l'eau ne peut revenir en arrière dans la canalisation principale d'alimentation d'eau de la ville et «l'expansion thermique» en résultant peut causer une

Raccorchements d'alimentation d'eau

Consulter l'illustration ci-dessous pour l'installation typique suggérée. L'installation de raccords union ou de connecteurs souples en cuire est recommandée pour les connexions d'eau chaude et froide, de manière à ce que le chauffe-eau puisse être déconnecté aisément pour l'entretien au besoin. Les connexions de raccords d'alimentation en eau chaude et froide sont clairement indiquées et sont de 3/4 po. NPT pour tous les modèles. Installer une soupape d'arrêt sur la canalisation d'eau froide, à proximité du chauffe-eau.

IMPORTANT : Ne pas appliquer de chaleur aux connexions d'eau CHAUDE ou FROIDE. Si des connexions à souder sont utilisées, souder la canalisation à l'adaptateur avant de raccorder l'eau du chauffe-eau. Toute chaleur appliquée aux raccords d'alimentation en eau endommagera le tube immergé et les pièges à chaleur.

Installation du chauffe-eau

Le chauffe-eau doit être installé conformément à ces directives, aux codes locaux, aux exigences de la compagnie de fourniture de l'eau et/ou en l'absence de codes locaux, pour les installations aux États-Unis, utilisez la plus récente édition du American National Standard/National Fuel Gas Code. Une copie peut être achetée de soit l'American Gas Association, 400 N. Capitol Street NW, Washington, DC 20001 sous la norme ANSI Z223.1 ou l'association nationale de protection contre les incendies, 1 Batterymarch Park, Quincy, MA 02269 sous le livret NFPA 54. Pour les installations au Canada, utiliser l'édition la plus récente du code d'installation pour gaz naturel et propane CAN/CSA B149. Une copie peut être achetée de l'Association canadienne de normalisation, 5060 Spectrum Way, Mississauga, Ontario L4W 5N6.

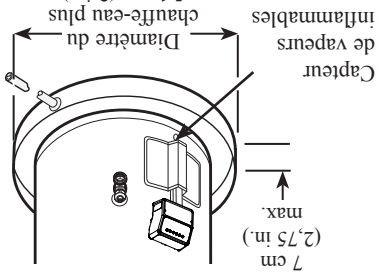
Emplacement

Le chauffe-eau ne doit pas être placé dans un endroit où une fuite de l'échangeur de chaleur ou des connexions de canalisation d'eau résultera en des dégâts dans les endroits adjacents ou les étages inférieurs de l'édifice.

Lorsque de tels endroits ne peuvent être évités, il est recommandé qu'un bac de récupération adéquat, ignifuge et adéquatement drainé soit installé sous le chauffe-eau.

Le chauffe-eau doit être centré dans le bac de récupération. Des troussees de bac de récupération sont disponibles au magasin où le chauffe-eau a été acheté ou de n'importe quel distributeur de chauffe-eau. S'assurer que le plancher sous le chauffe-eau est suffisamment solide pour supporter le poids du chauffe-eau lorsqu'il est rempli d'eau.

L'installation du bac de récupération DOIT être conforme aux codes locaux, le cas échéant.



Avis : NE PAS permettre d'obstruer le capteur de vapeurs inflammables.

Avis : Ne pas permettre au capteur de vapeurs inflammables d'être submergé dans l'eau. S'assurer que le bac de récupération est adéquatement drainé.

▲AVERTISSEMENT : « Construction combustible»

renvoie aux murs et aux plafonds adjacents et ne doit pas être confondu avec des produits et matériaux combustibles ou inflammables. Des produits et matériaux combustibles et/ou inflammables ne doivent jamais être conservés à proximité de cet appareil à gaz ou de tout autre.

En raison du mouvement naturel de l'air dans une pièce ou dans un espace confiné, les vapeurs inflammables peuvent se propager à une certaine distance de l'endroit où les liquides sont utilisés ou conservés. La flamme nue du brûleur principal du chauffe-eau peut enflammer ces vapeurs, créant une condition de fermeture qui empêchera le chauffe-eau de s'allumer. Les chauffe-eau au gaz certifiés FVIR peuvent être installés sur un sol de garage résidentiel sans utiliser le support de 18 pouces, conformément au National Fuel Gas Code, NFPA 54, ANSI Z223.1, pour les installations aux États-Unis et conformément à la norme CAN/CSA B149.1, code d'installation pour gaz naturel et propane pour les installations au Canada, sauf indication contraire de la province, l'état ou les exigences des codes locaux. Le

NE PAS obstruer ni bloquer le capteur de vapeurs inflammables.

- Nous recommandons à ce que ce chauffe-eau soit installé dans des endroits où la température ambiante n'exécède pas 100°F (38°C).
- Le chauffe-eau doit être installé de manière à minimiser la longueur de tuyau de canalisation d'évent en plastique et le nombre de raccords de connexion d'évent requis.
- Se référer à la section d'Event et Combustion pour les exigences du système d'évent.
- Les canalisations d'eau chaude doivent être isolées pour conserver l'eau et l'énergie.
- Le chauffe-eau et les canalisations d'eau doivent être protégés de toute exposition à des températures inférieures au gel.
- **Ne pas** installer le chauffe-eau à l'extérieur.
- Le dégagement minimal de toute construction combustible est de :

Devant *	Côtés	(0 po)	(0 po)	(5 po)
Dessus **	Arrière	0 cm	0 cm	12,7 cm
		0 cm	0 cm	30,5 cm
		(0 po)	(0 po)	(12 po)

- La dimension du dégagement « avant » est mesurée de l'enveloppe du chauffe-eau à la porte du placard.
- "La dimension du dégagement de Dessus » est mesurée du sommet de l'enveloppe du chauffe-eau au plafond.
- Si le chauffe-eau doit être installé sur une moquette, placer une plaque en métal ou un panneau en bois sous le chauffe-eau, en le prolongeant de sa pleine largeur et profondeur d'au moins 7,6 cm (3 pouces) dans toutes les directions. Si le chauffe-eau est installé dans une alcôve ou un placard, le sol tout entier doit être couvert par le panneau.

⚠️ AVERTISSEMENT!

Dans le but de votre sécurité, les directives indiquées dans ce manuel doivent être suivies pour réduire le risque d'incendie ou d'explosion, de décharge électrique ou pour éviter tout dégât à la propriété, blessures personnelles ou la mort.

POUR INSTALLATIONS DANS L'ÉTAT DE CALIFORNIE

La loi dans l'état de Californie exige que les chauffe-eau résidentiels soient décalés, ancrés ou saignés pour résister aux chutes ou un déplacement horizontal causé par les tremblements de terre. Pour les chauffe-eau résidentiels jusqu'à une capacité de 52 gallons, une brochure avec directives de décalage générique pour les tremblements de terre peut être obtenue de : Office of the State Architect, 1102 Q Street, Suite 5100, Sacramento, CA 95814 ou vous pouvez téléphoner au 916-445-8100 ou demandez à dépositaire de chauffe-eau.

MESURES DE SÉCURITÉ

Demandez à l'installateur de vous indiquer l'emplacement de la soupape d'arrêt de gaz et comment la fermer au besoin. Fermer la soupape d'arrêt de gaz si le chauffe-eau a été surchauffé, a subi un incendie, une inondation, des dégâts physiques ou si l'alimentation de gaz ne se ferme pas.

Veillez lire ce manuel dans sa totalité avant d'installer ou d'utiliser le chauffe-eau. Utilisez cet appareil uniquement pour son usage prévu, tel que décrit dans ce manuel d'utilisation et d'entretien. S'assurer que votre appareil est adéquatement installé, conformément aux codes locaux et selon les directives d'installations fournies. Ne pas tenter de réparer ou de remplacer

VEUILLEZ LIRE ET RESPECTER CES RENSEIGNEMENTS DE SÉCURITÉ.

CONSERVEZ CES DIRECTIVES

IMPORTANT

Inspectez soigneusement le chauffe-eau pour tous dégâts avant de procéder à son installation. Une attention particulière doit être apportée à tous bossellements du long panneau de couverture bleu pour l'admission d'air de combustion, les conduites de PVC ou tous dégâts au souffleur, à l'admission d'air de combustion et à l'ensemble de PVC. Si vous trouvez des dégâts, **NE PAS** installer ni tenter de réparer le chauffe-eau. Communiquez avec le fabricant comme indiqué sous le titre « SI VOUS AVEZ BESOIN DE SERVICE » à la page 44.



IMPORTANTS RENSEIGNEMENTS DE SÉCURITÉ. VEUILLEZ LIRE TOUTES LES DIRECTIVES AVANT L'USAGE

⚠ DANGER!



MODELES FONCTIONNANT AU GAZ LIQUIDE ET AU GAZ NATUREL

Le gaz naturel et le gaz liquide comportent un odorisant pour aider la détection de fuites. Certaines personnes peuvent ne pas être capables de sentir ou de reconnaître cet odorisant. Si l'on est pas sûr ou peu familier au sujet de l'odeur causée par le gaz naturel ou le gaz liquide, communiquer avec le fournisseur de gaz. D'autres conditions telles que la «diminution de l'odorisant», qui cause un affaiblissement de l'odorisant ou une réduction de son intensité peuvent aussi dissimuler une fuite de gaz.

lors d'applications avec gaz liquide et gaz naturel et leur installation doit être effectuée conformément aux recommandations du fabricant et/ou les lois locales, les règlements et les réglementations.

Il est recommandé que plus d'une méthode soit utilisée comme solution savonneuse, détecteurs de gaz, etc., pour détecter les fuites lors de l'usage d'appareils au gaz.

⚠ DANGER: Si une fuite de gaz est présente ou si l'on soupçonne son existence :

Ne pas tenter de trouver la cause soi-même, Ne pas tenter d'allumer un appareil ménager quelconque.

Ne pas toucher d'interrupteurs électriques.

Ne pas utiliser de téléphone dans l'édifice.

Quitter la maison immédiatement et s'assurer que la famille et les animaux de compagnie sont aussi sortis.

Laisser les portes ouvertes pour assurer la ventilation et communiquer avec le fournisseur de gaz, une agence de service qualifiée ou le service des pompiers.

Restez à l'écart de la maison (ou de l'édifice) jusqu'à ce que la visite de service ait été effectuée, la fuite corrigée et qu'une agence qualifiée ait déterminé que l'endroit est sécuritaire.

Les chauffe-eau utilisant du gaz liquide sont différents des modèles utilisant du gaz naturel. Un chauffe-eau au gaz naturel ne fonctionnera pas sécuritairement avec du gaz liquide et vice-versa.

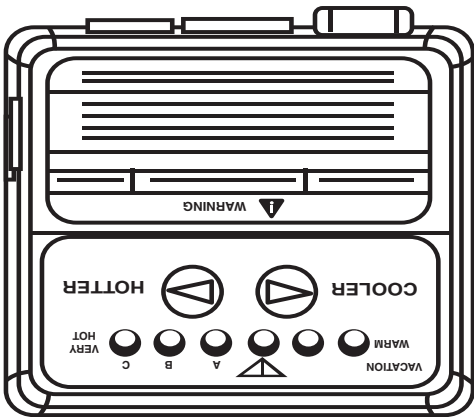
Ne jamais tenter de convertir un chauffe-eau de gaz naturel au gaz liquide. Pour éviter tout risque de dégâts à l'équipement, des blessures personnelles ou un incendie, ne pas connecter ce chauffe-eau à un type de combustible non conforme à la plaque signalétique de l'unité. Gaz liquide pour les appareils au gaz liquide. Gaz naturel pour les appareils au gaz naturel. Ces unités ne sont pas certifiées pour un autre type de combustible.

Les appareils fonctionnant au gaz liquide ne doivent pas être installés en dessous du niveau du sol (comme par exemple dans un sous-sol) si une telle installation est interdite par les lois fédérales, provinciales et/ou locales, les règlements et réglementations.

Le gaz liquide doit être utilisé avec précaution. Il est plus lourd que l'air et s'accumulera d'abord dans les endroits inférieurs, rendant sa détection difficile au niveau du nez.

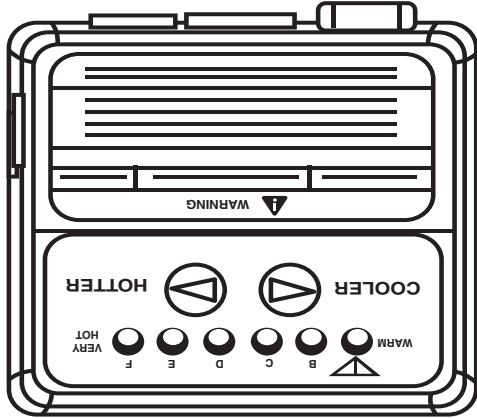
S'assurer de rechercher et de renifler pour détecter des fuites de gaz liquide avant tenter d'allumer l'appareil. Utiliser une solution savonneuse pour vérifier les raccords et les connexions de gaz. L'apparition de bulles à une connexion indique une fuite qui doit être corrigée. Lorsque l'on recherche une fuite de gaz, s'assurer de renifler au niveau du sol. Les détecteurs de gaz sont recommandés

Détails de température du thermostat d'eau



Réglage de la température 50 & 65 gallons		Affichage ▲ ABC	Brûlera la peau d'un adulte
▲ = approx. 49°C (120°F)	○ ○ ○ ● ○ ○ ○ ○ ○ ○ ○ ○	● ○ ○ ○ ○ ○ ○ ○ ○ ○ ○ ○ ○ ○ ○	Plus de 5 minutes
A = approx. 54°C (130°F)	○ ○ ○ ● ○ ○ ○ ○ ○ ○ ○ ○	○ ○ ○ ○ ● ○ ○ ○ ○ ○ ○ ○ ○ ○	Environ 30 secondes
B = approx. 60°C (140°F)	○ ○ ○ ○ ● ○ ○ ○ ○ ○ ○ ○ ○	○ ○ ○ ○ ○ ○ ● ○ ○ ○ ○ ○ ○ ○ ○	Moins de 5 secondes
C = approx. 66°C (150°F)	○ ○ ○ ○ ○ ○ ● ○ ○ ○ ○ ○ ○ ○	○ ○ ○ ○ ○ ○ ○ ○ ● ○ ○ ○ ○ ○ ○ ○	Environ 1-1/2 seconde
C-Clignotant = approx. 71°C (160°F)	○ ○ ○ ○ ○ ○ ○ ○ ○ ○ ○ ○ ○ ○	● ○ ○ ○ ○ ○ ○ ○ ○ ○ ○ ○ ○ ○ ○	Environ 1/2 seconde
CHAUD = approx. 70°C (160°F)	● ○ ○ ○ ○ ○ ○ ○ ○ ○ ○ ○ ○ ○ ○	○ ○ ○ ○ ○ ○ ○ ○ ○ ○ ○ ○ ○ ○ ○ ○	-----

▲ DANGER : De l'eau plus chaude augmente le risque d'ÉBOUILLANTAGE par l'eau chaude.



Réglage de la température 75 gallons		Affichage ▲ BCDEF	Brûlera la peau d'un adulte
▲ = approx. 120°F (49°C)	● ○ ○ ○ ○ ○ ○ ○ ○ ○ ○ ○ ○ ○ ○	○ ○ ○ ○ ○ ○ ○ ○ ○ ○ ○ ○ ○ ○ ○ ○	Plus de 5 minutes
B = approx. 130°F (54°C)	○ ○ ○ ● ○ ○ ○ ○ ○ ○ ○ ○ ○ ○	○ ○ ○ ○ ○ ○ ○ ○ ○ ○ ○ ○ ○ ○ ○ ○	Environ 30 secondes
C = approx. 140°F (60°C)	○ ○ ○ ○ ● ○ ○ ○ ○ ○ ○ ○ ○ ○ ○	○ ○ ○ ○ ○ ○ ○ ○ ○ ○ ○ ○ ○ ○ ○ ○	Moins de 5 secondes
D = approx. 150°F (66°C)	○ ○ ○ ○ ○ ○ ● ○ ○ ○ ○ ○ ○ ○ ○ ○	○ ○ ○ ○ ○ ○ ○ ○ ○ ○ ○ ○ ○ ○ ○ ○	Environ 1-1/2 seconde
E = approx. 160°F (71°C)	○ ○ ○ ○ ○ ○ ○ ○ ● ○ ○ ○ ○ ○ ○ ○ ○	○ ○ ○ ○ ○ ○ ○ ○ ○ ○ ○ ○ ○ ○ ○ ○	Environ 1/2 seconde
F = approx. 170°F (77°C)	○ ○ ○ ○ ○ ○ ○ ○ ○ ○ ● ○ ○ ○ ○ ○ ○ ○ ○	○ ○ ○ ○ ○ ○ ○ ○ ○ ○ ○ ○ ○ ○ ○ ○	-----
F = approx. 180°F (82°C)	○ ○ ○ ○ ○ ○ ○ ○ ○ ○ ○ ○ ○ ○ ○ ○	● ○ ○ ○ ○ ○ ○ ○ ○ ○ ○ ○ ○ ○ ○ ○ ○	-----

▲ DANGER : De l'eau plus chaude augmente le risque d'ÉBOUILLANTAGE par l'eau chaude.

IMPORTANTS RENSEIGNEMENTS DE SÉCURITÉ. VEUILLEZ LIRE TOUTES LES DIRECTIVES AVANT L'USAGE

! DANGER!



La conservation de l'énergie et la sécurité sont des facteurs à considérer lors de la sélection du réglage de température d'eau du thermostat du chauffe-eau au gaz. Les températures d'eau supérieures à 52 °C (125 °F) peuvent causer des brûlures graves ou même la mort par ébouillantage. S'assurer de lire et de suivre les avertissements indiqués sur l'étiquette illustrée ci-dessous. Cette étiquette est aussi apposée sur le chauffe-eau.

Time/Temperature Relationship in Scalds

Rapport d'ébouillantage durée / température

Température	Durée pour causer une brûlure grave
120 °F (49 °C)	Plus de 5 minutes
125 °F (52 °C)	1½ à 2 minutes
130 °F (54 °C)	Environ 30 secondes
135 °F (57 °C)	Environ 10 secondes
140 °F (60 °C)	Moins de 5 secondes
145 °F (63 °C)	Moins de 3 secondes
150 °F (66 °C)	Environ 1½ seconde
155 °F (68 °C)	Environ 1 seconde

Tableau fourni par l'Institut des brûlures de Shriners

Le tableau ci-dessus peut être utilisé comme guide pour déterminer la bonne température de l'eau dans votre résidence.

! DANGER : Dans les foyers où il existe de jeunes enfants, des personnes invalides ou âgées, un réglage de la température de 49 °C (120 °F) ou plus bas du contrôle du gaz (thermostat) est recommandé pour éviter tout contact avec des températures de l'eau « CHAUDE ».

Les températures maximales de l'eau surviennent juste après que le brûleur s'arrête. Pour savoir quelle est la température de l'eau chaude fournie, ouvrir un robinet d'eau chaude et placer un thermomètre sous l'eau courante et lire le thermomètre. Voir de plus amples détails aux pages 33 et 34).
La température de l'eau du chauffe-eau peut être réglée en appuyant sur les boutons comportant des flèches ☺ ☹ à l'avant du contrôle du gaz (thermostat). Pour être conforme aux réglementations de sécurité, le contrôle du gaz (thermostat) a été réglé au réglage le plus bas avant que le chauffe-eau ait été expédié de l'usine. La température voulue de l'eau doit être réglée.

Les illustrations de la page suivante montrent les détails de température approximatives de l'eau pour chaque indication par DEL du genre d'affichage du contrôle combiné de gaz pour les contrôles des modèles de 50 et 65 gallons et le contrôle des modèles de 75 gallons.

! DANGER : De l'eau plus chaude augmente le risque d'ÉBOUILLANTAGE par l'eau chaude.

! DANGER



L'eau à une température supérieure à 125°F peut instantanément causer des brûlures graves ou entraîner la mort.

Le risque de brûlures est plus élevé chez les enfants, les personnes handicapées et les personnes âgées

Lisez la notice d'instruction avant de régler la température du chauffe-eau.

Vérifier la température de l'eau avant de prendre un bain ou une douche.

Des robinets limitateurs de température sont disponibles. Consultez la notice.

Avis : Des soupapes de mélange thermostatique sont disponibles pour réduire la température de l'eau au point d'usage en mélangeant l'eau chaude et froide dans les canalisations d'eau. Veuillez communiquer avec un plombier licencié ou la compagnie de plomberie locale pour de plus amples renseignements.

IMPORTANTS RENSEIGNEMENTS DE SÉCURITÉ. VEUILLEZ LIRE TOUTES LES DIRECTIVES AVANT L'USAGE

Assurez-vous de lire et de comprendre le manuel d'utilisation et d'entretien avant de tenter d'installer ou d'utiliser ce chauffe-eau. Ceci peut vous faire gagner du temps et de l'argent. Prêtez une attention particulière aux directives de sécurité. Si ces avertissements ne sont pas respectés, il pourrait en résulter des blessures sérieuses ou la mort. Si vous avez de difficultés de compréhension des directives de ce manuel ou si vous avez une question quelconque, ARRÊTEZ-VOUS et obtenez l'assistance d'un technicien de service qualifié ou de la compagnie de gaz locale.

AVIS : Ce chauffe-eau est équipé d'un capteur de vapeurs inflammables qui arrêtera automatiquement le chauffe-eau en présence de vapeurs d'essence ou d'autres vapeurs inflammables. Si le capteur de vapeurs inflammables arrête le chauffe-eau, communiquer avec un technicien de service qualifié. Éliminer tout produit dangereux et ventiler les abords du chauffe-eau. Ne pas fermer l'appareil ni ajuster le contacteur MARCHE/ARRÊT (ON/OFF) d'une manière quelconque. Ne pas toucher au capteur de vapeurs inflammables. Ne pas submerger le capteur de vapeurs inflammables dans l'eau. Ne pas permettre au capteur de vapeurs inflammables d'entrer en contact avec toute substance comme javellisant ou nettoyant. Voir la section « Code d'erreur DEL de soupape de gaz » de ce manuel pour une liste des codes de diagnostic.

! DANGER !

VENTILER ADEQUATEMENT LE CHAUFFE-EAU

Si le chauffe-eau n'est pas adéquatement ventilé à l'extérieur, tel qu'expliqué dans la section « Ventilation » des directives d'installation de ce manuel, il peut en résulter un fonctionnement dangereux du chauffe-eau. Pour éviter les risques d'incendie, d'explosion ou d'asphyxie par le monoxyde de carbone, ne jamais utiliser ce chauffe-eau sauf s'il est adéquatement ventilé et qu'il comporte une alimentation d'air adéquate pour assurer son bon fonctionnement. S'assurer d'inspecter la sortie d'évent du chauffe-eau extérieur ou la sortie d'évent et le système de ventilation du chauffe-eau intérieur pour vérifier la bonne installation lors de la première mise en marche; et au moins une fois par an ensuite. Veuillez consulter la section « Entretien et nettoyage » de ce manuel pour de plus amples détails au sujet de l'inspection du système de ventilation et de l'admission d'air de combustion.

! AVERTISSEMENT !

L'essence, ainsi que tous autres produits et liquides inflammables (qui comprennent mais sans s'y limiter adhésifs, solvants, diluants pour peinture, etc.) et les vapeurs qu'ils produisent, sont extrêmement dangereux. NE PAS manipuler, utiliser ou conserver de l'essence ou d'autres produits inflammables ou combustibles à proximité d'un chauffe-eau ou de tout autre appareil. S'assurer de lire et de suivre les directives de l'étiquette d'Avvertissement illustrée ci-dessous ainsi que les autres étiquettes placées sur le chauffe-eau, et les mises en garde imprimées dans ce manuel. Si ces directives ne sont pas suivies, il peut en résulter des dégâts à la propriété, des blessures corporelles ou la mort.



POUR VOS ARCHIVES

Inscrivez les numéros de modèle et de série ici :

#

_____#

Ils se trouvent sur une étiquette placée sur l'appareil.

Agrafez votre facture de vente ou votre chèque annulé ici.

Une preuve de la date d'achat original est nécessaire pour obtenir le service en vertu de la garantie.

VEUILLEZ LIRE CE MANUEL

À l'intérieur, vous trouverez de nombreux conseils utiles sur la

manière d'utiliser et d'entretenir adéquatement votre chauffe-eau.

Un entretien préventif de votre part peut vous faire économiser du temps et de l'argent pendant la durée utile de votre chauffe-eau.

Vous trouverez de nombreuses réponses à des problèmes communs dans le guide de recherche des pannes. Si vous examinez le tableau de recherche des pannes d'abord, il est possible que vous n'ayez pas besoin d'appeler un service d'entretien.

VEUILLEZ LIRE LES

RENSEIGNEMENTS DE SÉCURITÉ

Votre sécurité et la sécurité des tiers sont très importantes. Il y a de nombreux messages de sécurité contenus dans ce manuel et sur votre appareil. Veuillez lire et respecter tous les messages de sécurité.

Voici le symbole d'alerte de sécurité. Ce symbole

indique d'importantes recommandations de sécurité!



Ce symbole vous avise de risques possibles qui peuvent causer la mort ou des blessures.

Tous les messages de sécurité suivront le symbole d'alerte d'AVERTISSEMENT, « ATTENTION » ou « AVIS ».

Ces mots signifient :

▲ DANGER

Une situation immédiatement dangereuse qui résultera en la mort ou de sérieuses blessures.

▲ AVERTISSEMENT

Une situation dangereuse qui pourrait résulter en la mort ou de sérieuses blessures ou de dégâts à la propriété.

Une situation dangereuse qui peut résulter en des blessures mineures ou modérées.

AVIS

Votre attention est attirée pour respecter une procédure particulière ou maintenir une condition particulière.

Renseignements de sécurité

Mesures de sécurité 3-7

Modèles à gaz liquide – (LP) 6

Directives d'installation

Emplacement 8

Connexions d'arrivée d'eau 9

Alimentation en gaz 11

Ventilation et air de combustion -

Entrée 12-29

Gestion du condensat 30

Schéma de câblage 31

Isolation pour tuyau 32

Pièges à chaleur 32

Liste de vérification de l'installation

..... 34

Chauffage d'appoint/eau potable ..

..... 35

Directives d'utilisation

Directives d'allumage 36

Température de l'eau 37-39

Entretien et nettoyage

Vidange 40

Entretien 40

Inspection de système de ventilation

..... 41

Inspection des brûleurs 41

Arrêt prolongé 41

Conseils de recherche des

pannes

Avant d'appeler le service

d'entretien 42-45

Service à la clientèle

Liste des pièces 46

Comment obtenir l'assistance de service 48

Commercial au gaz - Certifié FVIR

PowerDirect Vent Chauffe-eau

Modèles commerciaux de 50, 65 et 75 gallons

L'objectif de ce manuel à deux facettes : pour l'entrepreneur d'installation, il fournira les exigences et les recommandations pour la bonne installation et le réglage adéquat du chauffe-eau et pour le propriétaire-usager, il expliquera les caractéristiques, le fonctionnement, les directives de sécurité, l'entretien et la recherche des pannes du chauffe-eau. Ce manuel comporte aussi une liste de pièces.

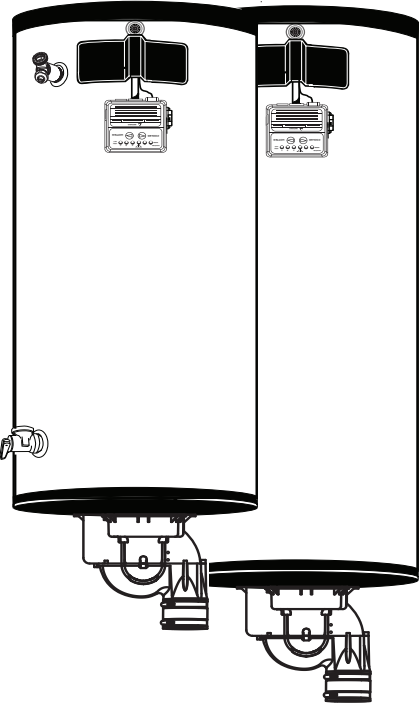
Il est extrêmement important que toutes les personnes qui envisagent d'installer, d'utiliser ou d'ajuster ce chauffe-eau, lisent les directives soigneusement de manière à bien comprendre comment faire. Si vous ne comprenez pas ces directives ou des termes contenus dans les présentes, veuillez obtenir l'aide d'un professionnel.

Toute question au sujet de l'usage, de l'entretien, du service ou de la garantie de ce chauffe-eau doit être adressée au vendeur où il a été acheté. Si des renseignements supplémentaires sont requis, veuillez consulter le chapitre intitulé « Si vous avez besoin de service ».

Ne pas détruire ce manuel. Veuillez le lire soigneusement et le conserver dans un endroit sécuritaire pour vous y reporter au besoin.

⚠ Ce symbole indique d'importantes recommandations de sécurité !

⚠ Avertissement La Proposition 65 De Californie: Ce produit contient des produits chimiques reconnus par l'état de Californie comme étant la cause de cancer, de défauts congénitaux et d'autres problèmes du système reproductif.



⚠ **AVERTISSEMENT** : Si les renseignements contenus dans ces directives ne sont pas suivis exactement, un incendie ou une explosion risque d'en résulter, causant des dégâts à la propriété, des blessures personnelles ou la mort.

▲ DANS LE BUT DE VOTRE SÉCURITÉ!

- Si vous ne pouvez communiquer avec le fournisseur de gaz, appelez le service des pompiers.
- Ne revenez pas dans votre résidence avant d'y avoir été autorisé par le fournisseur de gaz ou le service des pompiers.
- Une installation, des réglages, une modification, un service ou un entretien inadéquat risquent de causer des dégâts à la propriété, des blessures personnelles ou la mort. Veuillez vous reporter à ce manuel. L'installation et le service doivent être effectués par un installateur qualifié, une agence de service ou par le fournisseur de gaz.
- Ne pas utiliser ou stocker de l'essence ou d'autres liquides ou vapeurs inflammables ou d'autres matériaux combustibles à proximité de cet appareil ou d'autres. Cette situation risque de résulter en une explosion ou un incendie.
- **QUE FAIRE SI VOUS SENTEZ UNE ODEUR DE GAZ**
- Ne pas tenter d'allumer d'appareils.
- Ne pas toucher d'interrupteurs électriques; ne pas utiliser des téléphones se trouvant dans l'édifice.
- Appeler immédiatement le fournisseur de gaz de chez un voisin. Suivre les directives du fournisseur de gaz.

