

COMMERCIAL
TACO PUMP REPLACEMENT PARTS

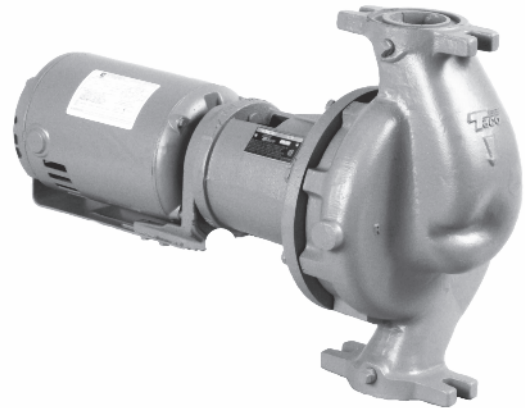
RAYPAK ILLUSTRATED PARTS LIST

MODEL SERIES: "00", "1600" & "1900"

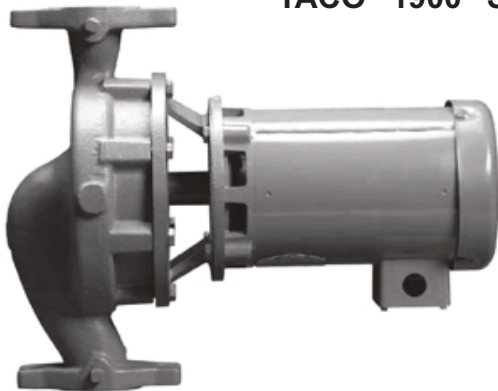
TACO "00" SERIES



TACO "1600" SERIES

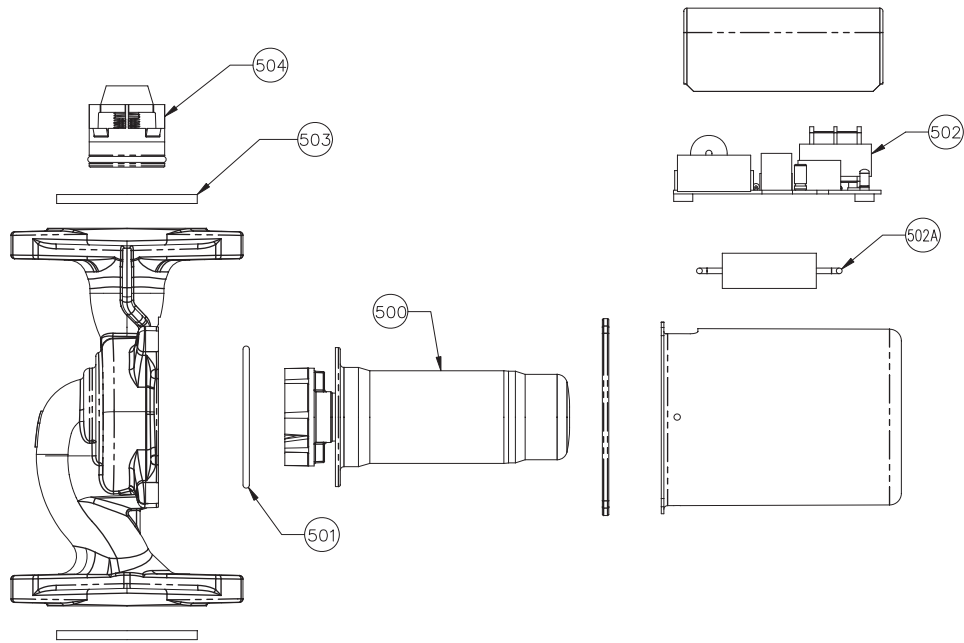


TACO "1900" SERIES



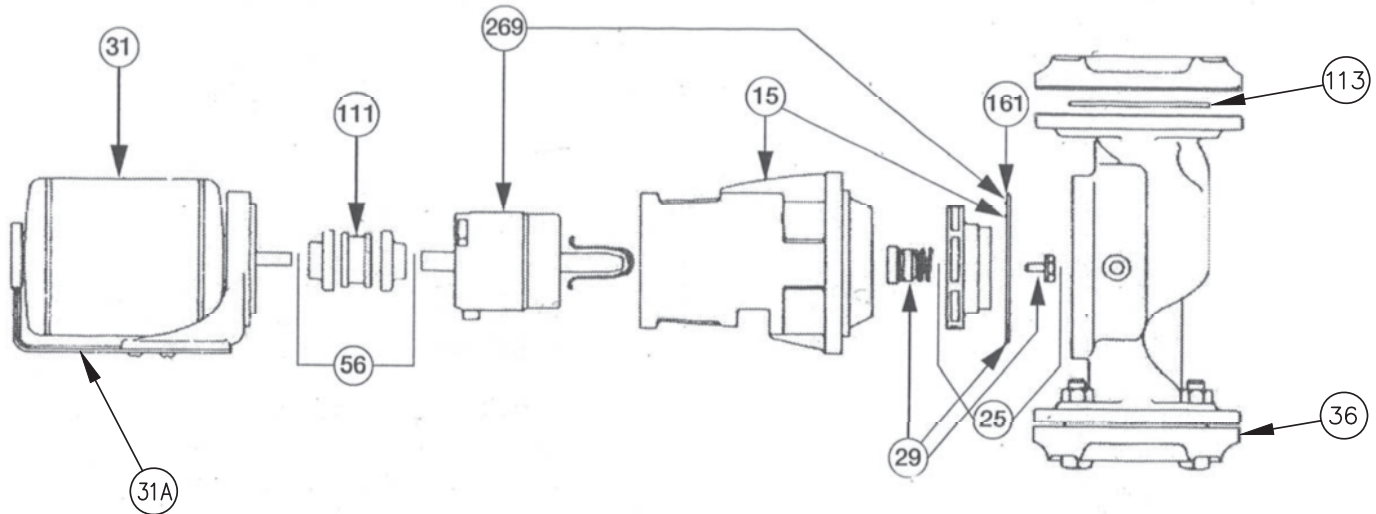
FOR DETAILED INSTRUCTIONS, SEE "HOW TO USE YOUR ILLUSTRATED PARTS LIST", CATALOG NO. 9001.10

RAYPAK 00 CIRCULATORS



ITEM NO.	DESCRIPTION	MODEL	RAYPAK	MODEL	RAYPAK	MODEL	RAYPAK
		006-B4-8	KIT #	007-BF5-J	KIT #	007-SF5	KIT #
500	Cartridge Assy Complete	N/A	—	007-045RP	015271F	007-045RP	015271F
501	Casing O-Ring	N/A	—	008-005RP	015396F	008-005RP	015396F
502A	Capacitor	N/A	—	N/A	—	N/A	—
503	Flange Gasket Kit	N/A	—	007-007RP	015529F	007-007RP	015529F
ITEM NO.	DESCRIPTION	MODEL	RAYPAK	MODEL	RAYPAK		
		0010-F3	KIT #	0010-HSF3	KIT #		
500	Cartridge Assy Complete	0010-021RP	015272F	0010-022RP	015273F		
501	Casing O-Ring	0010-008RP	015322F	0010-008RP	015322F		
502A	Capacitor	009-018RP	015528F	009-018RP	015528F		
503	Flange Gasket Kit	007-007RP	015529F	007-007RP	015529F		
ITEM NO.	DESCRIPTION	MODEL	RAYPAK	MODEL	RAYPAK		
		0011-BF4-J	KIT #	0011-SF4	KIT #		
500	Cartridge Assy Complete	0011-008RP	015274F	0011-008RP	015274F		
501	Casing O-Ring	009-005RP	015524F	009-005RP	015524F		
502A	Capacitor	009-018RP	015528F	009-018RP	015528F		
503	Flange Gasket Kit	007-007RP	015529F	007-007RP	015529F		
ITEM NO.	DESCRIPTION	MODEL	RAYPAK	MODEL	RAYPAK	MODEL	RAYPAK
		0012-BF4	KIT #	0012-SF4-1	KIT #	0012-HBF4-1J	KIT #
500	Cartridge Assy Complete	0012-012RP	951153F	0012-012RP	951153F	0012-012RP	951153F
501	Casing O-Ring	0012-006RP	015525F	0012-006RP	015525F	0012-006RP	015525F
502A	Capacitor	009-018RP	015528F	009-018RP	015528F	009-018RP	015528F
503	Flange Gasket Kit	0012-020RP	015530F	1400-009RP	015531F	1400-009RP	015531F
ITEM NO.	DESCRIPTION	MODEL	RAYPAK	MODEL	RAYPAK	MODEL	RAYPAK
		0012-BF4-J	KIT #	0012-HSF4	KIT #	0012-SF4-1	KIT #
500	Cartridge Assy Complete	0012-012RP	951153F	0012-012RP	951153F	0012-012RP	951153F
501	Casing O-Ring	0012-006RP	015525F	0012-006RP	015525F	0012-006RP	015525F
502A	Capacitor	009-018RP	015528F	009-018RP	015528F	009-018RP	015528F
503	Flange Gasket Kit	0012-020RP	015530F	0012-020RP	015530F	1400-009RP	015531F
ITEM NO.	DESCRIPTION	MODEL	RAYPAK	MODEL	RAYPAK		
		0012-VSBF4-3IFC	KIT #	0012-VSBF4-3JIFC	KIT #		
500	Cartridge Assy Complete	0012-012RP	951153F	0012-012RP	951153F		
501	Casing O-Ring	0012-006RP	015525F	0012-006RP	015525F		
502	PC Board	009-035RP	015277F	009-035RP	015277F		
503	Flange Gasket Kit	0012-020RP	015530F	0012-020RP	015530F		
504	Check Valve	0012-021RP	015515F	0012-021RP	015515F		

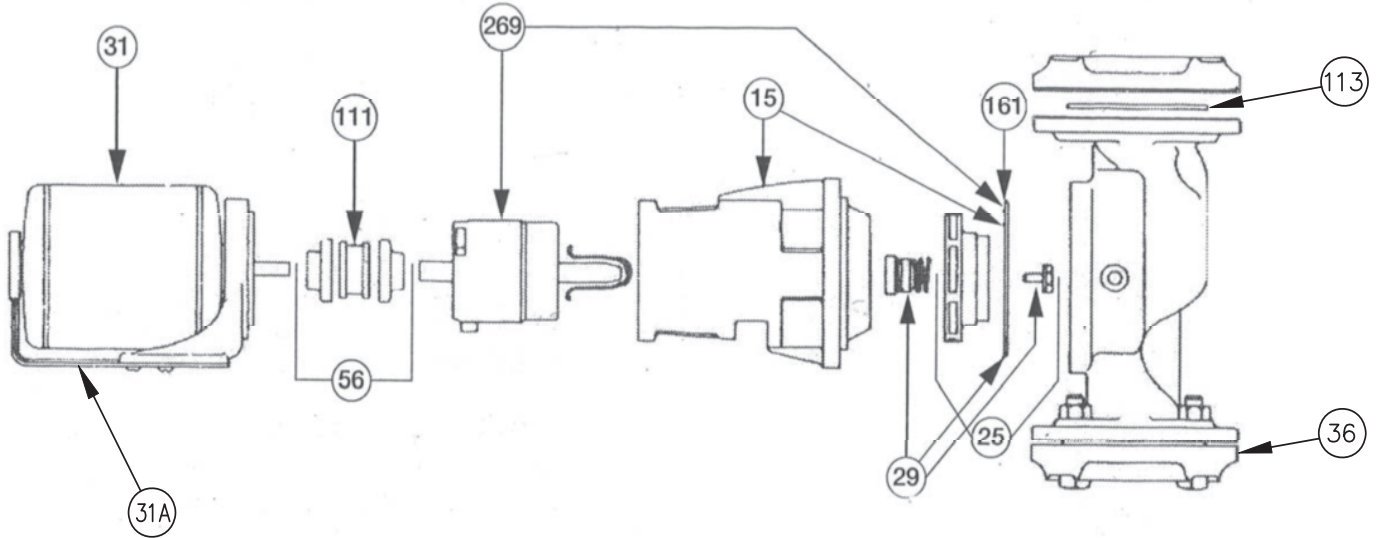
RAYPAK 1600 SERIES INLINE PUMPS



ITEM NO.	DESCRIPTION	MODEL 1611	RAYPAK KIT #	MODEL 1630	RAYPAK KIT #	MODEL 1632	RAYPAK KIT #
15	Bracket- Bronze	1600-156RP	015286F	1600-176RP	015287F	1600-176RP	015287F
25	Impeller (dia. must be Specified) -BRZ	1611-001BRP	015292F	1630-022BRP	015293F	1632-022BRP	015294F
	Diameter	(4.5)		(4.9)		(5.65)	
29	Water Seal Kit (includes Casing Gasket & Impeller Bolt)	1600-868CRP	950388F	1600-868CRP	950388F	1600-868CRP	950388F
36	Flange Kit – 2" BR (2 Bolt)	1600-032BRP	015538F	1600-032BRP	015538F	1600-032BRP	015538F
	Flange Kit – 2" CI (2 Bolt)	1600-032RP	015539F	1600-032RP	015539F	1600-032RP	015539F
	Flange Kit – 2-1/2" BR (2 Bolt)	1634-038RP	014047	1634-038RP	014047	1634-038RP	014047
	Flange Kit – 2-1/2" CI (2 Bolt)	1634-037RP	014048	1634-037RP	014048	1634-037RP	014048
56	Coupler 3J – 1/4 & 1/3 HP (5/8 X 1/2)	1624-043RP	015397F	N/A	—	N/A	—
	Coupler 4J – all 1/2 HP (5/8 X 1/2)	N/A	—	1624-030RP	015283F	N/A	—
	Coupler 4J – 3/4 thru 2 HP (5/8 X 5/8)	N/A	—	N/A	—	1624-053RP	950389F
111	Coupler Insert – all 4J Couplers	N/A	—	1624-004RP	015285F	1624-004RP	015285F
	Coupler Insert – all 3J Couplers	1624-020RP	015284F	N/A	—	N/A	—
113	Flange Gasket kit 2"	1600-169RP	012666F	1600-169RP	012666F	1600-169RP	012666F
113	Flange Gasket kit 2-1/2"	N/A	—	—	013423F	—	013423F
161	Gasket – Volute/Casing	1600-050RP	015299F	1600-050RP	015299F	1600-050RP	015299F
269	Cartridge Assembly & Gasket	1600-160RP-1	015301F	1600-160RP-1	015301F	1600-160RP-1	015301F

ITEM NO.	DESCRIPTION	HP	115/60/1	RAYPAK KIT #	115/230/60/1	RAYPAK KIT #	200-230/460/60/3	RAYPAK KIT #
31	Motor with Mounting Bracket	1/4	121-151RP	950917F	N/A	—	N/A	—
		1/3	131-143RP	950918F	N/A	—	N/A	—
		1/2	N/A	—	132-096RP	950919F	N/A	—
		3/4	N/A	—	133-119RP	950922F	N/A	—
		1	N/A	—	138-119RP	950925F	1661-024RP	015302F
		1-1/2	N/A	—	1636-013RP	015303F	1661-025RP	015304F
		2	N/A	—	1638-012RP	015305F	1661-026RP	015306F
3	N/A	—	N/A	—	N/A	—		
31A	Motor Bracket Assy	1/2	N/A	—	132-033RP	950958F	N/A	—

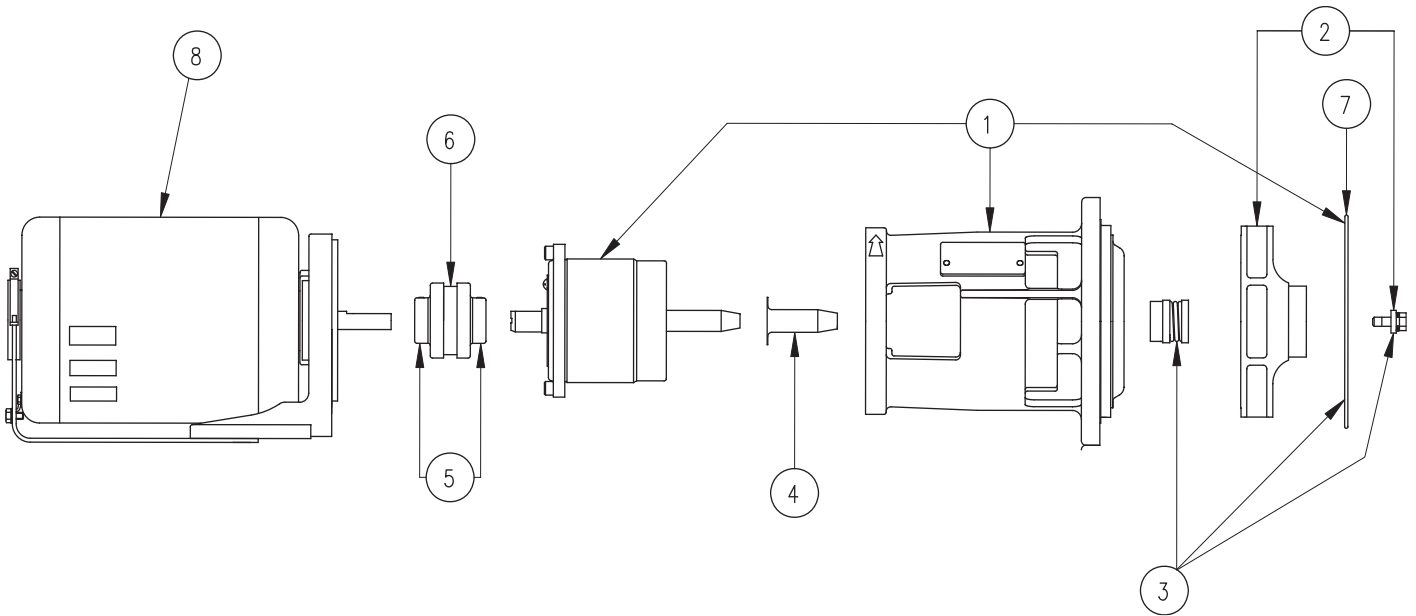
RAYPAK 1600 SERIES INLINE PUMPS



ITEM NO.	DESCRIPTION	MODEL 1634	RAYPAK KIT #	MODEL 1636	RAYPAK KIT #	MODEL 1641	RAYPAK KIT #
15	Bronze Bracket	1604-024RP	015288F	1604-026RP	015289F	1604-026RP	015289F
25	Impeller -BRZ	1634-023BRP	015295F	1636-001BRP	015296F	1641-001BRP	015297F
	Diameter	(6.15)		(6.4)		(6.9)	
29	Water Seal Kit (includes Casing Gasket & Impeller Bolt)	1600-868CRP	950388F	1600-868CRP	950388F	1600-868CRP	950388F
36	Flange Kit – 2" BR (2 Bolt)	1600-032BRP	015538F	N/A	—	N/A	—
	Flange Kit – 2" CI (2 Bolt)	1600-032RP	015539F	N/A	—	N/A	—
	Flange Kit – 2-1/2" BR (2 Bolt)	1634-038RP	014047	N/A	—	N/A	—
	Flange Kit – 2-1/2" CI (2 Bolt)	1634-037RP	014048	N/A	—	N/A	—
	Flange Kit – 2" BR (4 Bolt)	N/A	—	1600-174BRP	015543F	1600-174BRP	015543F
	Flange Kit – 2" CI (4 Bolt)	N/A	—	1600-174RP	015545F	1600-174RP	015545F
	Flange Kit – 2-1/2" BR (4 Bolt)	N/A	—	1634-040RP	014049	1634-040RP	014049
56	Coupler 4J – 3/4 thru 2 HP (5/8 X 5/8)	1624-053RP	950389F	1624-053RP	950389F	1624-053RP	950389F
111	Coupler Insert – all 4J Couplers	1624-004RP	015285F	1624-004RP	015285F	1624-004RP	015285F
113	Flange Gasket kit 2" (2 Bolt)	1600-169RP	012666F	1600-169RP	012666F	1600-169RP	012666F
113	Flange Gasket kit 2-1/2" (2 Bolt)		013423F	N/A	—	N/A	—
113	Flange Gasket kit 2-1/2" (4 Bolt)	N/A	—		014000F		014000F
161	Gasket – Volute/Casing	1600-050RP	015299F	1618-006RP	015300F	1618-006RP	015300F
269	Cartridge Assembly & Gasket	1600-160RP-1	015301F	1600-160RP-1	015301F	1600-160RP-1	015301F

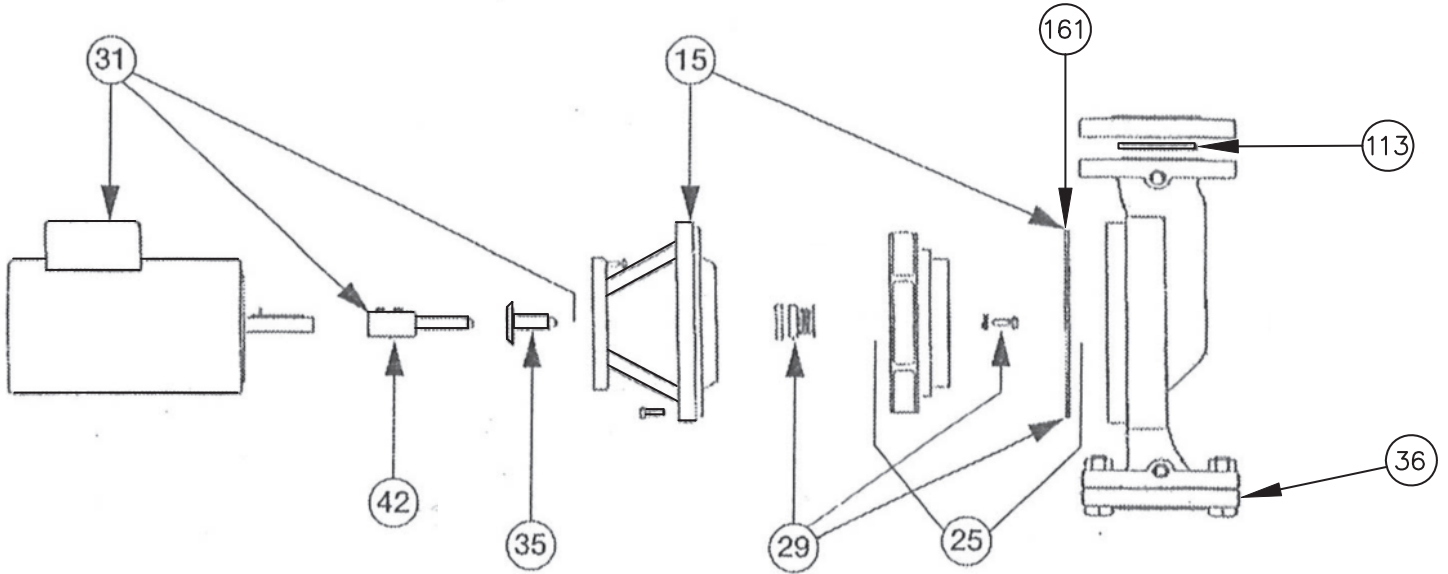
ITEM NO.	DESCRIPTION	HP	115/60/1	RAYPAK KIT #	115/230/60/1	RAYPAK KIT #	200-230/460/60/3	RAYPAK KIT #
31	Motor With Bracket Assembly	1/4	121-151RP	950917F	N/A	—	N/A	—
		1/3	131-143RP	950918F	N/A	—	N/A	—
		1/2	N/A	—	132-096RP	950919F	N/A	—
		3/4	N/A	—	133-119RP	950922F	N/A	—
		1	N/A	—	138-119RP	950925F	1661-024RP	015302F
		1-1/2	N/A	—	1636-013RP	015303F	1661-025RP	015304F
		2	N/A	—	1638-012RP	015305F	1661-026RP	015306F
		3	N/A	—	N/A	—	N/A	—
31A	Motor Bracket Assy	1/2	N/A	—	132-033RP	950958F	N/A	—

RAYPAK 1600 HEADER SERIES PUMPS



ITEM NO.	DESCRIPTION	MODEL 1630-S33L	RAYPAK KIT #	MODEL 1630-S34L	RAYPAK KIT #	MODEL 1630-S50L	RAYPAK KIT #
1	Bracket Assy (includes Shaft, Bearing Assy & Gasket)	1630-079RP	015384F	1630-079RP	015384F	1630-079RP	015384F
2	Impeller Diameter	1630-048BRP (4.25)	950234F	1630-025BRP (4.7)	951079F	1630-054BRP (4.0)	951420F
3	Seal Kit (includes Volute/Casing Gasket & Impeller Bolt)	1600-868CRP	950388F	1600-868CRP	950388F	1600-868CRP	950388F
4	Shaft Sleeve	1600-205RP	951086F	1600-205RP	951086F	1600-205RP	951086F
5	Coupler 3J (1/2 x 1/2) w/Insert	1624-243RP	015282F	1624-243RP	015282F	1624-243RP	015282F
6	Coupler Insert 3J	1624-020RP	015284F	1624-020RP	015284F	1624-020RP	015284F
7	Gasket - Volute/Casing	1630-047RP	800173F	1630-047RP	800173F	1630-047RP	800173F
8	Motor Assembly (Service Factor)	1630-065D (1.00)	951089F	1630-066D (1.25)	951085F	1630-065D (1.00)	951089F

RAYPAK 1900 SERIES INLINE PUMPS



ITEM NO.	DESCRIPTION	MODEL	RAYPAK	MODEL	RAYPAK
		1911	KIT #	1935	KIT #
15	Bronze Bracket	1900-017RP	015290F	1900-019RP	015291F
25	Impeller	1611-001BRP		1635-001BRP	
	Diameter	(4)	015516F	(4.9)	015298F
		(4.6)	015517F	(5.2)	015395F
29	Water Seal Kit (includes Volute/Casing Gasket & Impeller Bolt)	1600-868CRP	950388F	1600-868CRP	950388F
35	Shaft Sleeve (included with Item No. 31)	1600-205RP	951086F	1600-205RP	951086F
36	Flange Kit - 2" BR (2 Bolt)	1600-032BRP	015538F	1600-032BRP	015538F
36	Flange Kit - 2" CI (2 Bolt)	1600-032RP	015539F	1600-032RP	015539F
36	Flange Kit - 2-1/2" BR (2 Bolt)	1634-038 BR	014047	1634-038 BR	014047
36	Flange Kit - 2-1/2" CI (2 Bolt)	1634-037RP	014048	1634-037RP	014048
42	Shaft Adapter (included with Item No. 31)	1900-008RP	015318F	1900-008RP	015318F
113	Flange Gasket kit 2"	1600-169RP	012666F	1600-169RP	012666F
113	Flange Gasket kit 2-1/2"		013423F		013423F
161	Gasket Kit - Volute/Casing	1600-050RP	015299F	1600-050RP	015299F

ITEM NO.	DESCRIPTION	HP	1725-1750 RPM					
			115/208/230/60/1	RAYPAK KIT #	200/60/3	RAYPAK KIT #	208/230/460/60/3	RAYPAK KIT #
31	Motor Assembly	1/4	N/A	—	121-200RP	N/A	121-401RP	015308F
		1/3	N/A	—	131-193RP	N/A	131-294RP	015310F
		1/2	N/A	—	132-170RP	N/A	132-271RP	015312F
		3/4	N/A	—	133-176RP	N/A	133-377RP	015314F
		1	N/A	—	138-167RP	N/A	138-268RP	015316F
		1-1/2	138-269RP	015317F	N/A	—	N/A	—



Registered Quality Management System

www.raypak.com