

# HOT WATER STORAGE TANKS

ASME CODE  
STOCK

235, 335 AND 534 GALLONS



## FEATURES

- 160 PSI ASME
- Vertical
- Manhole - 11" x 15"
- Angle iron legs
- Glass lining
- Threaded openings:
  - 3" NPT Supply, return and outlet
  - 1" NPT T&P relief valve
  - 1-1/4" NPT Drain
- Five-year limited warranty
- Magnesium anodes
- Primer finish

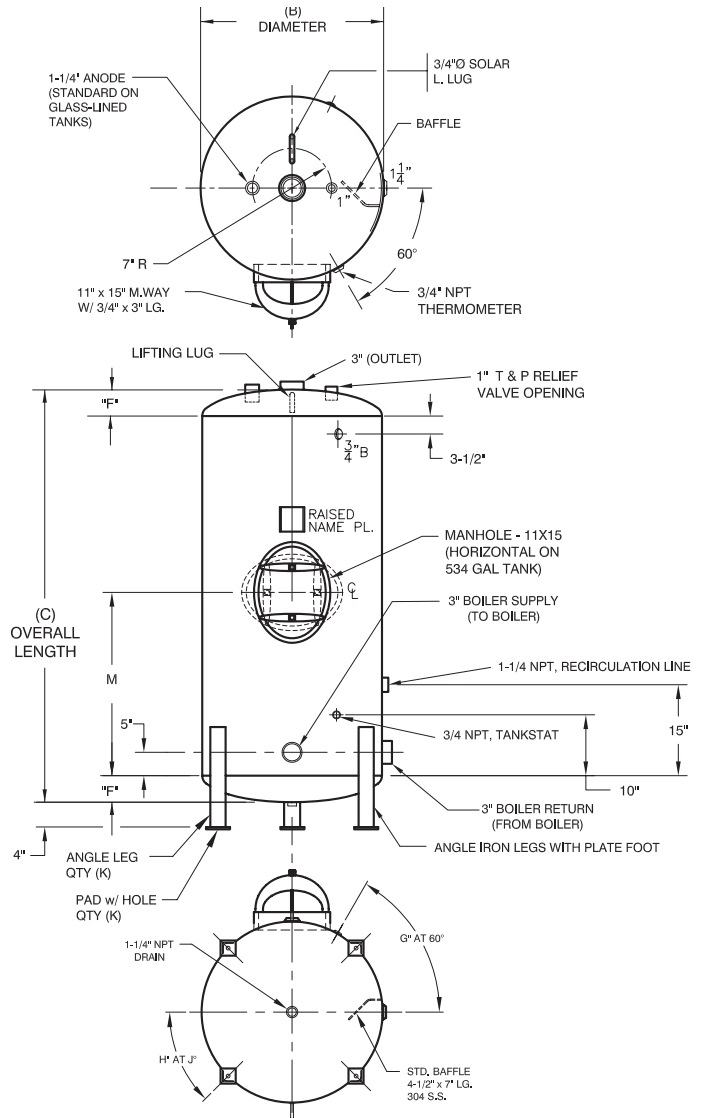
FOR ADDITIONAL ASME TANKS SEE CATALOG NO.

4000.20.1 STOCK, 80-115 GALLONS

4000.21 STOCK, 175 GALLONS

4000.22 CUSTOM, 115-2590 GALLONS

Larger tanks available upon request.



PART NUMBER	VOL GAL	B DIA	C O.A. HT	F	G	H	J	K	M	SHIP WT.
951408	235	30.0	84.0	10.31	15.75	7.88	30"	3	30	673
951409	335	36.0	84.0	12.00	18.88	9.44	30"	3	28.50	810
951410	534	42.0	96.0	12.25	24.94	16.5	45"	4	33	1121

Dimensions are in inches.

Raypak, Inc. reserves the right to make product changes or improvements at any time without notice.

