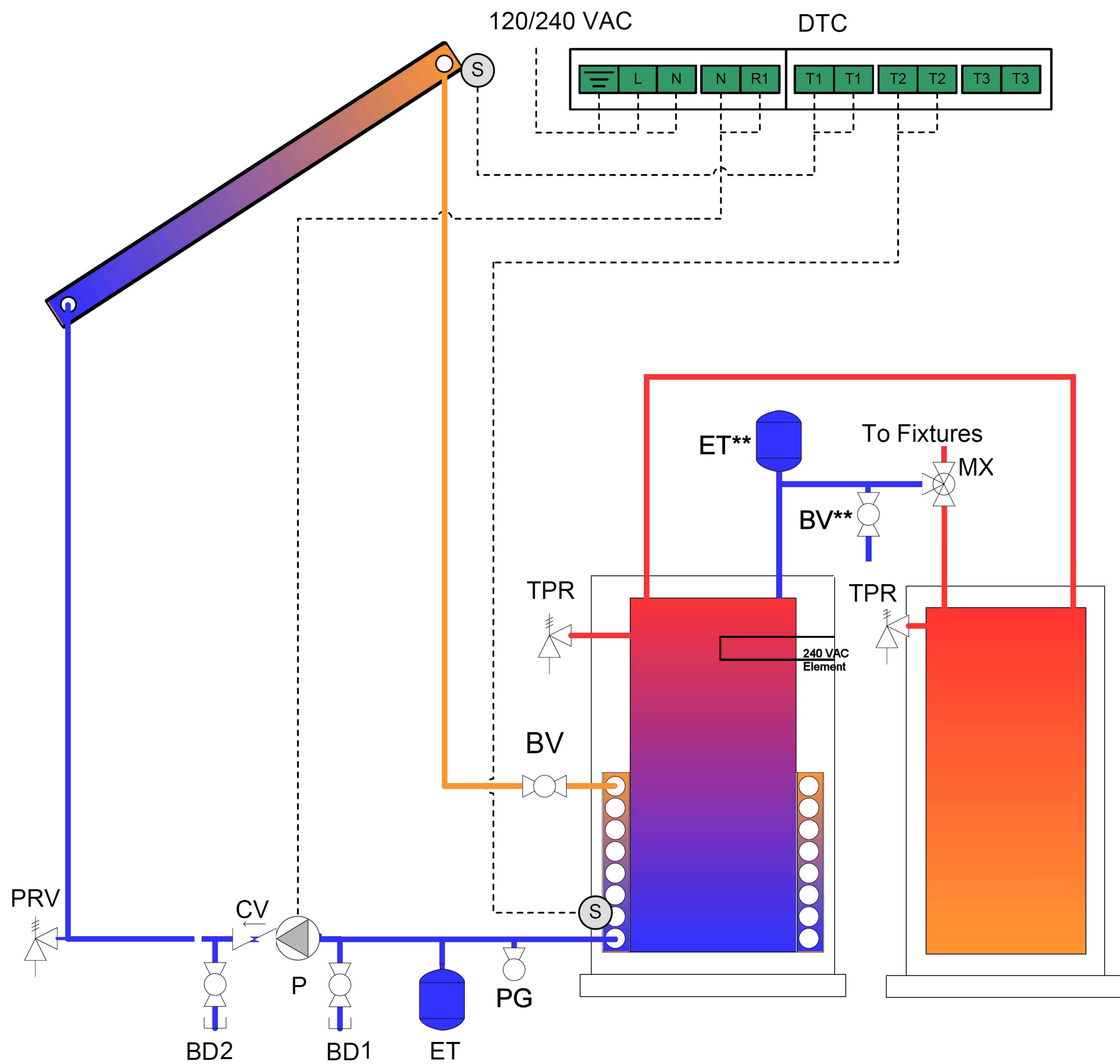


PART	DESCRIPTION
PG	Pressure Gauge
BD	Boiler Drain
BV	Full Port Ball Valve ($\frac{3}{4}$ " Minimum)
CV	Check Valve
DTC	Steca TR0301 Differential Controller
ET	Expansion Tank
MX	Mixing Valve
P	Centrifugal Pump
PRV	Pressure Relief Valve
ET	Thermal Expansion Tank
S	Temperature Sensor
TPR	Temperature Pressure Relief Valve

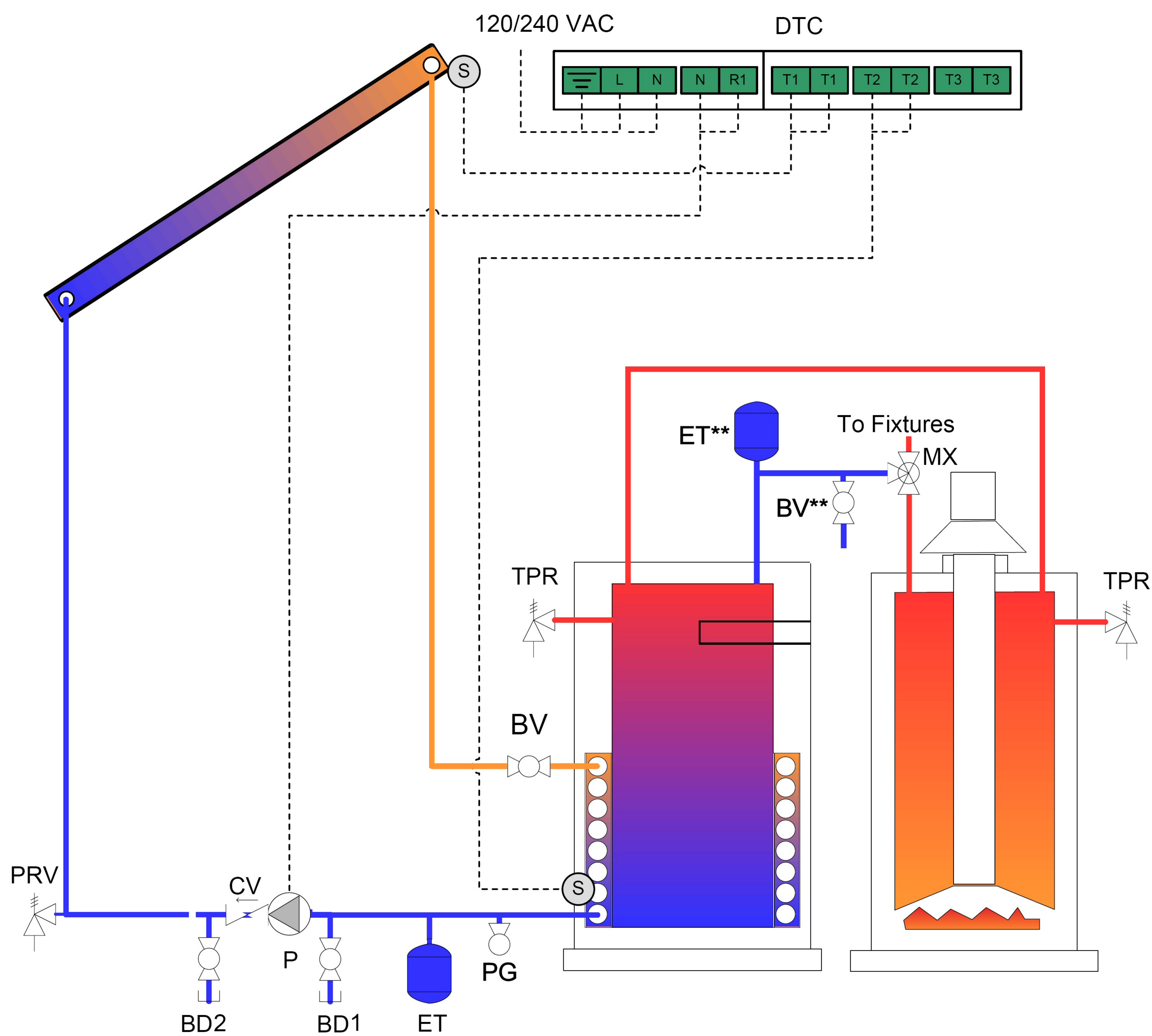
** These parts not provided in SolPak Kit



PART	DESCRIPTION
PG	Pressure Gauge
BD	Boiler Drain
BV	Full Port Ball Valve (3/4" Minimum)
CV	Check Valve
DTC	Steca TR0301 Differential Controller
ET	Expansion Tank
MX	Mixing Valve
P	Centrifugal Pump
PRV	Pressure Relief Valve
ET	Thermal Expansion Tank
S	Temperature Sensor
TPR	Temperature Pressure Relief Valve

** These parts not provided in SolPak Kit

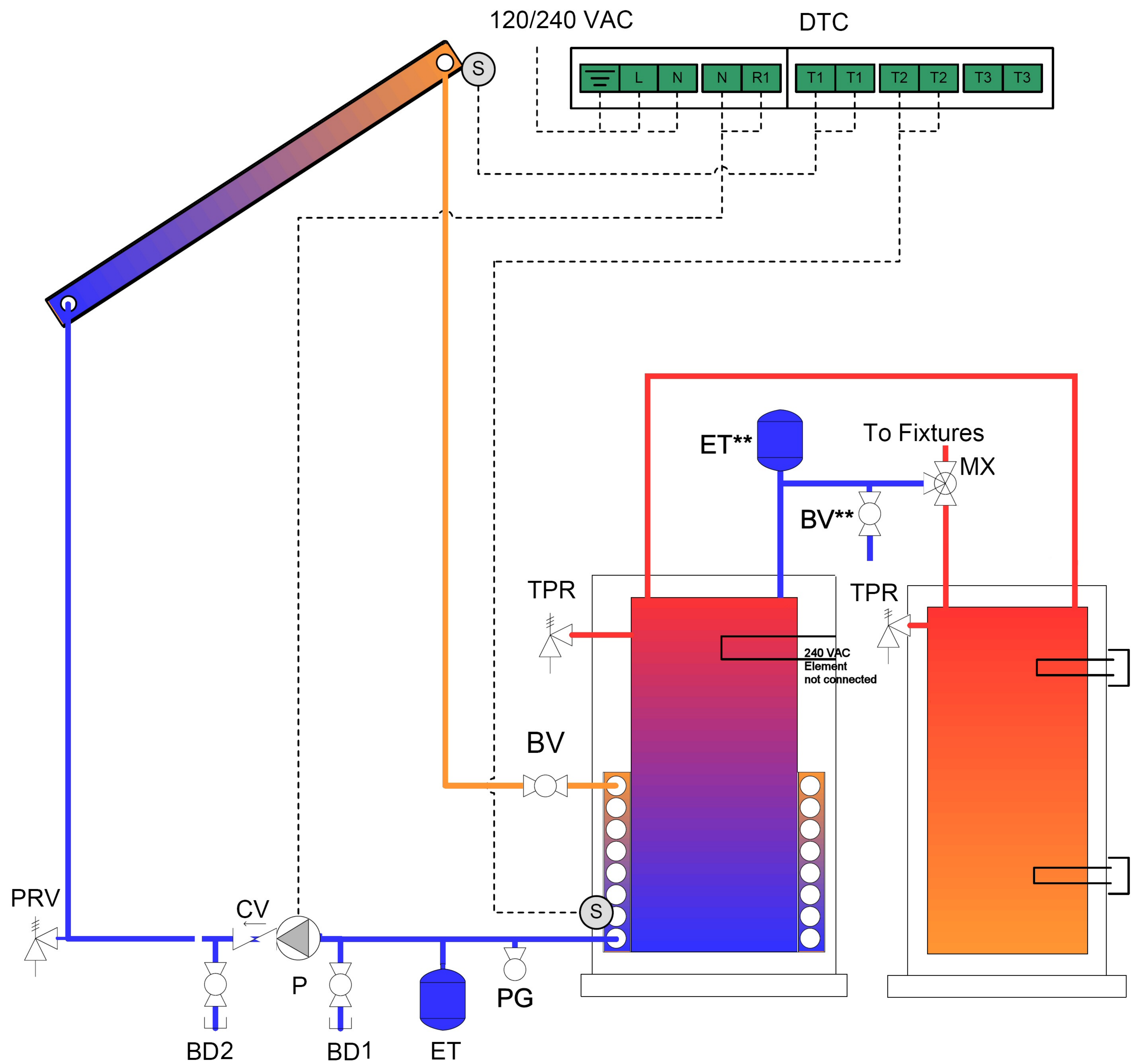
Single SolPak Installation w/ Storage Tank



PART	DESCRIPTION
PG	Pressure Gauge
BD	Boiler Drain
BV	Full Port Ball Valve (3/4" Minimum)
CV	Check Valve
DTC	Steca TR0301 Differential Controller
ET	Expansion Tank
MX	Mixing Valve
P	Centrifugal Pump
PRV	Pressure Relief Valve
ET	Thermal Expansion Tank
S	Temperature Sensor
TPR	Temperature Pressure Relief Valve

** These parts not provided in SolPak Kit

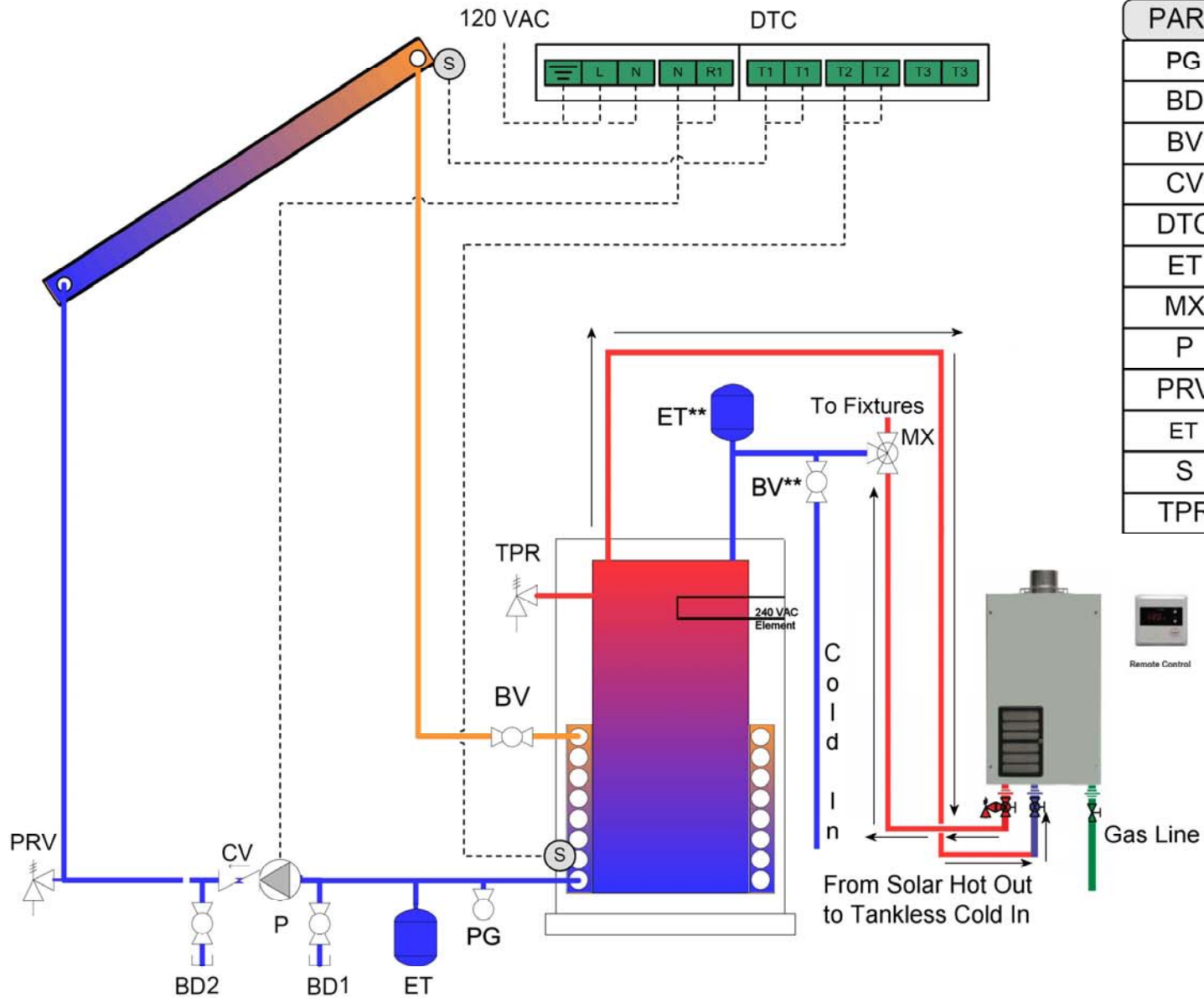
Single SolPak Installation w/ Gas Water Heater



PART	DESCRIPTION
PG	Pressure Gauge
BD	Boiler Drain
BV	Full Port Ball Valve (3/4" Minimum)
CV	Check Valve
DTC	Steca TR0301 Differential Controller
ET	Expansion Tank
MX	Mixing Valve
P	Centrifugal Pump
PRV	Pressure Relief Valve
ET	Thermal Expansion Tank
S	Temperature Sensor
TPR	Temperature Pressure Relief Valve

** These parts not provided in SolPak Kit

Single SolPak Installation w/ Electric Water Heater



PART	DESCRIPTION
PG	Pressure Gauge
BD	Boiler Drain
BV	Full Port Ball Valve (3/4" Minimum)
CV	Check Valve
DTC	Steca TR0301 Differential Controller
ET	Expansion Tank
MX	Mixing Valve
P	Centrifugal Pump
PRV	Pressure Relief Valve
ET	Thermal Expansion Tank
S	Temperature Sensor
TPR	Temperature Pressure Relief Valve

** These parts not provided in SolPak Kit

Single SolPak Installation w/ Tankless Booster