



T-Temp **REACH-IN UNIT COOLER**



The T-Temp model unit cooler is built to mount from the ceiling or wall wherever a compact unit cooler is required.

The versatile T-Temp is designed for use in under counter refrigerators, back bars, reach-ins and other applications. The optional thermostatic expansion valve is mounted inside of the unit.

All T-Temp units are available with our specially formulated coil coating that provides superior corrosion resistance for the coil surface.

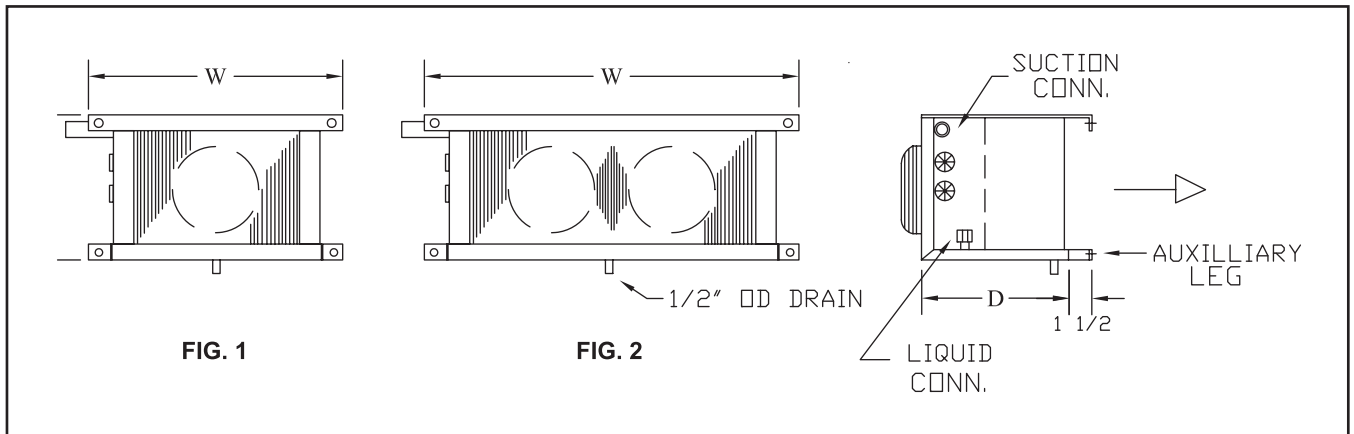


REACH-IN UNIT COOLER

Specifications

MODEL NUMBER	CAP. (Btu/hr)		CFM	MOTOR			CONNECTIONS (in.)			DIMENSIONS (in.)			APPRX SHIP WT. (LBS)
	10°F TD	15°F TD		QTY	AMPS 115V	AMPS 230/1	LIQUID	SUCTION	DRAIN	H	W	D	
TT18-8	800	1200	200	1	0.73	0.37	1/2 F.N.	3/8 OD	1/2 OD	7-1/4	13-3/4	6	10
TT28-13	1300	1950	380	2	1.46	0.73	1/2 F.N.	3/8 OD	1/2 OD	7-1/4	19-1/4	6	15
TT28-17	1700	2550	360	2	1.46	0.73	1/2 F.N.	3/8 OD	1/2 OD	7-1/4	19-1/4	6	16

* All dimensions are in inches.



Due to continuing product development, specifications are subject to change without notice.