



Flex-Temp
**REACH - IN
UNIT COOLER**



The Flex-Temp reach-in coil is designed to meet a number of application needs. Its triangular geometry allows for installation in areas with limited available space.

Flex-Temp is well suited for under-counter refrigerators, reach-in back bars and other similar enclosures.



ColdZone
8101 E. Kaiser Blvd. Suite 110
Anaheim CA. 92808
PH. 800-722-2653 • <http://coldzone.htpgusa.com>

REACH - IN UNIT COOLER

Performance and Electrical Data

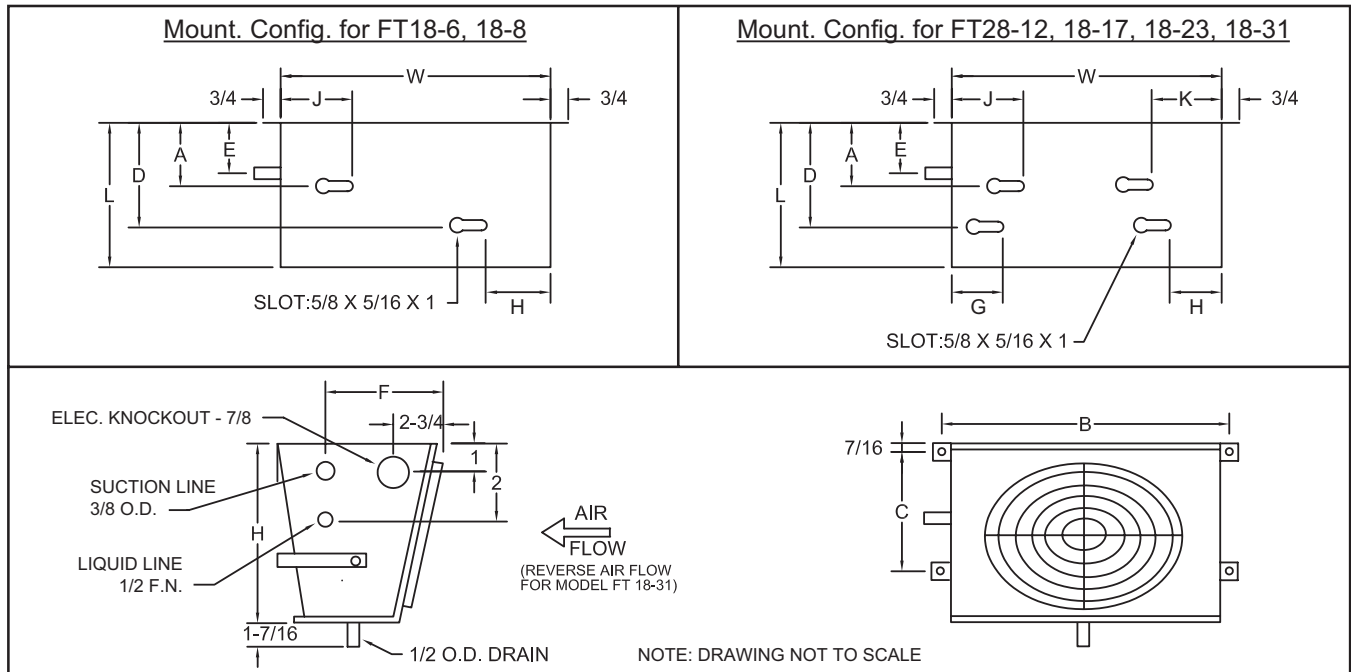
MODEL NUMBER	CAPACITY (Btu/hr)			CFM	MOTOR			CONNECTIONS (in.)			APPRX SHIP WT. (LBS)
	10°F TD	15°F TD	20°F TD		QTY	AMPS 115V	AMPS 230/1	LIQUID	SUCTION	DRAIN	
FT18-6	650	975	1300	150	1	0.73	0.37	1/2 F.N.	3/8 OD	1/2 OD	9
FT18-8	800	1200	1600	140	1	0.73	0.37	1/2 F.N.	3/8 OD	1/2 OD	9
FT28-12	1200	1800	2400	300	2	1.5	0.73	1/2 F.N.	3/8 OD	1/2 OD	14
FT18-17	1700	2550	3400	370	1	1.1	0.55	1/2 F.N.	3/8 OD	1/2 OD	15
FT18-23	2300	3450	4600	610	1	2.0	1.0	1/2 F.N.	3/8 OD	1/2 OD	20
FT18-31	3100	4650	6200	590	1	2.0	1.0	1/2 F.N.	3/8 OD	1/2 OD	23

* All dimensions are in inches.

Physical Data

MODEL NUMBER	DIMENSIONS (in)												
	H	L	W	A	B	C	D	E	F	G	H	J	K
FT18-6	6-3/4	8-15/16	12-1/2	4-5/16	13-1/8	4-5/8	5-5/16	4-1/4	3-15/16	—	2-1/2	2-1/2	—
FT18-8	6-3/4	8-15/16	12-1/2	4-5/16	13-1/8	4-5/8	5-5/16	4-1/4	3-15/16	—	2-1/2	2-1/2	—
FT28-12	7-3/4	8-15/16	18	4-5/16	18-3/4	4-5/8	5-5/16	4-1/4	4-1/16	1-1/2	1-1/2	2-1/2	2-1/2
FT18-17	9-5/8	10-9/16	14	5-1/4	14-5/8	5-1/4	9	4-3/4	5-1/2	1-1/2	1-1/2	2-1/2	2-1/2
FT18-23	11-5/8	13	16-3/4	5-1/4	17-1/2	7	11-1/2	4-1/2	5-5/16	1-1/2	1-1/2	2-1/2	2-1/2
FT18-31	11-5/8	13	16-3/4	5-1/4	17-1/2	7	11-1/2	4-1/2	5-5/16	1-1/2	1-1/2	2-1/2	2-1/2

* All dimensions are in inches.



Due to continuing product development, specifications are subject to change without notice.

*Available with protective coil coating.