



indoor unit

Apex System

Apex Top Mount Refrigeration System

APEX models are delivered, fully assembled and ready to mount. This saves you time and money, because of its quick installation and minimal labor cost. Most APEX units come with a 30" power cord so you can just plug it in and chill.

Air Defrost — 2,500 - 13,500 BTUH
Electric Defrost — 2,400 - 9,000 BTUH



outdoor unit

Features:

- All-in-one refrigeration system
- Factory assembled
- Fully charged and tested
- Attached power cord on most indoor models
- Quick and easy installation
- Indoor and Outdoor units
- HACCP compliant controls



Apex Top Mount Refrigeration System



Replaceable heater and access panel

Saving Time and Money

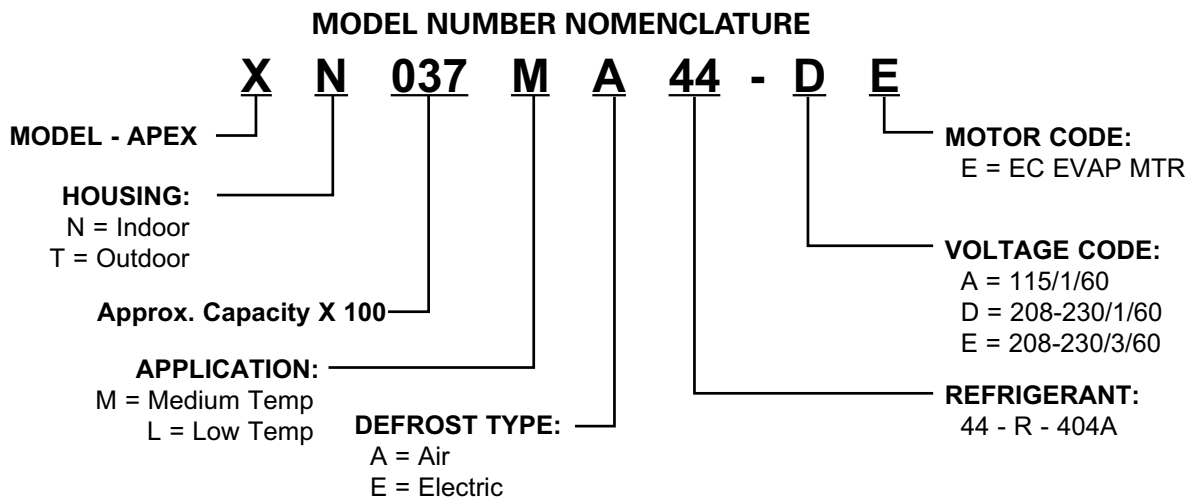
- Two-year warranty on all parts
- Shipped factory assembled and tested
- No piping or loose components to install
- Factory evacuated, charged and run tested
- Motors and fans common to other HTPG product
- Adjustable digital electrical controller preset for typical cooler or freezer applications

Quick Installation

- Installs in a fraction of the time it takes for a typical split refrigeration system.
- The supply/return register mounts flush with a standard 4" ceiling panel which provides for more storage in your cooler or freezer.
- Condensate evaporated on Indoor models so no drain line is required.
- Drain line with heater provided for Outdoor models.



Inside view of an installed walk-in cooler.



Standard Indoor Features:

- Insulated evaporator housing / Mill finish Aluminum
- Fully charged and run tested
- Evaporative Drain pan (no drain line needed)
- Electronic Controller
- Filter / Drier, sight-glass, and TXV

Standard Outdoor Features:

- Most features identical to Indoor models*
- All weather roof
- Drain line with heater
- Crankcase heater

Apex Top Mount Refrigeration System

Performance/Electrical

Med. Temp Air Def. Models	80°F Ambient		90°F Ambient		95°F Ambient		100°F Ambient		110°F Ambient	
	35°F Rm	38°F Rm	35°F Rm	38°F Rm	35°F Rm	38°F Rm	35°F Rm	38°F Rm	35°F Rm	38°F Rm
XN026MA44*	3170	3360	2960	3140	2860	3030	2750	2910	2530	2670
XN029MA44*	3410	3590	3210	3390	3110	3280	3010	3180	2800	2980
XN037MA44*	4300	4520	4070	4280	3950	4160	3820	4030	3570	3770
XN050MA44*	6430	6790	6040	6380	5840	6180	5640	5980	5250	5580
X*068MA44*	7890	8310	7420	7820	7200	7590	6970	7350	6510	6900
X*076MA44*	8630	9100	8130	8580	7880	8320	7630	8060	7140	7560
X*106MA44*	13230	14080	12170	13010	11640	12470	11090	11940	9960	10850
X*134MA44*	16440	17350	15260	16140	14650	15510	14040	14880	12770	13590

Medium Temp Specifications	Volts/Ph 60 Hz	MCA	MOPD	Unit Amps	Indoor Power Cord	NEMA Receptacle	Evap CFM	Cabinet Size	Approximate Weight (Lbs)			
									Indoor		Outdoor	
									Net	Ship	Net	Ship
XN026MA44A*	115/1	15	15	9.6	Yes	5-15R	280	Small	120	185	-	-
XN029MA44A*	115/1	15	15	8.6	Yes	5-15R	280	Small	120	185	-	-
XN037MA44A*	115/1	15	15	11.1	Yes	5-15R	280	Small	125	190	-	-
XN050MA44A*	115/1	20	20	14.5	Yes	5-20R	435	Medium	210	305	-	-
X*050MA44D*	208-230/1	15	15	8.5	Yes	6-15R	435	Medium	210	305	220	360
X*068MA44D*	208-230/1	15	15	9.9	Yes	6-15R	705	Medium	220	315	230	370
X*076MA44D*	208-230/1	15	20	12.3	Yes	6-20R	705	Medium	220	315	230	370
X*106MA44D*	208-230/1	20	20	15.8	Yes	6-20R	1135	Large	295	420	310	485
X*106MA44E*	208-230/3	15	20	12.7	No	-	1135	Large	305	430	320	495
X*134MA44D*	208-230/1	20	30	17.2	No	-	1030	Large	310	435	325	500
X*134MA44E*	208-230/3	20	20	14.2	No	-	1030	Large	310	435	325	500

Low Temp Electric Def. Models	80°F Ambient			90°F Ambient			95°F Ambient			100°F Ambient			110°F Ambient		
	0°F Room	-10°F Room	-20°F Room	0°F Room	-10°F Room	-20°F Room	0°F Room	-10°F Room	-20°F Room	0°F Room	-10°F Room	-20°F Room	0°F Room	-10°F Room	-20°F Room
XN018LE44*	2640	2120	-	2460	1940	-	2360	1850	-	2250	1760	-	2020	-	-
XN024LE44*	3360	2570	1900	3110	2410	1700	3010	2290	1600	2930	2180	1500	2660	1950	1300
X*031LE44*	5130	3960	2770	4540	3420	2290	4250	3160	2040	3960	2900	1790	3390	2380	1260
X*043LE44*	6860	5430	4070	6130	4760	3460	5760	4430	3150	5390	4090	2840	4640	3410	2230
X*051LE44*	8590	6670	4930	7710	5860	4190	7260	5460	3820	6800	5050	3430	5880	4210	2610
X*068LE44*	10840	8620	6760	9690	7530	5690	9100	6970	5140	8510	6420	4590	7320	5320	3450

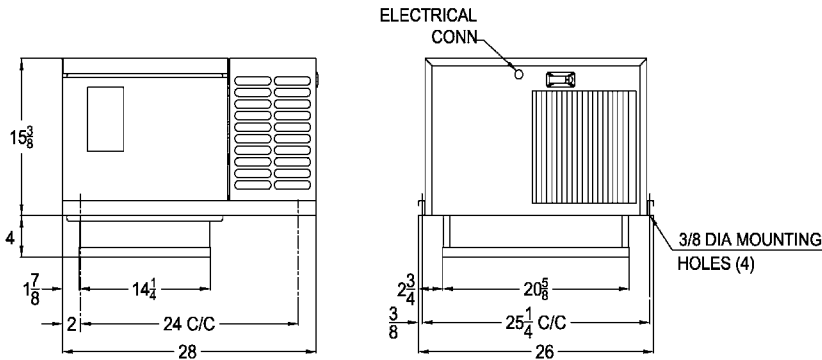
Low Temp Specifications	VOLTS† / PH 60HZ	MCA	MOPD	Unit Amps	Indoor Power Chord	NEMA Recept.	Evap CFM	Cabinet Size	Approximate Weight (LBS)			
									Indoor		Outdoor	
									Net	Ship	Net	Ship
XN018LE44A*	115/1	15	20	11.6	Yes	5-15R	280	Small	140	200	-	-
XN024LE44A*	115/1	15	20	12.8	Yes	5-20R	435	Medium	210	305	-	-
X*024LE44D*	208-230/1	15	15	7.0	Yes	6-15R	435	Medium	210	305	225	365
X*031LE44D*	208-230/1	15	15	12.2	Yes	6-15R	705	Medium	245	340	255	400
X*043LE44D*	208-230/1	20	20	14.0	Yes	6-20R	705	Medium	245	340	255	400
X*051LE44D*	208-230/1	20	20	16.4	Yes	6-20R	1135	Large	315	445	330	510
X*051LE44E*	208-230/3	14	15	13.0	No	-	1135	Large	315	445	330	510
X*068LE44D*	208-230/1	24	30	21.0	No	-	1135	Large	320	450	335	515
X*068LE44E*	208-230/3	20	20	15.2	No	-	1135	Large	320	450	335	515

Min. Amb. : 50°F for indoor models. Max. Amb. : 110°F for all models. † - All 230 volt units can be used as 208 volt. Unit amps are for standard models with electronically commutated evap motors and permanent split capacitor condenser motors.

Apex Top Mount Refrigeration System

Dimensional Drawings

Small Cabinet Size – Indoor

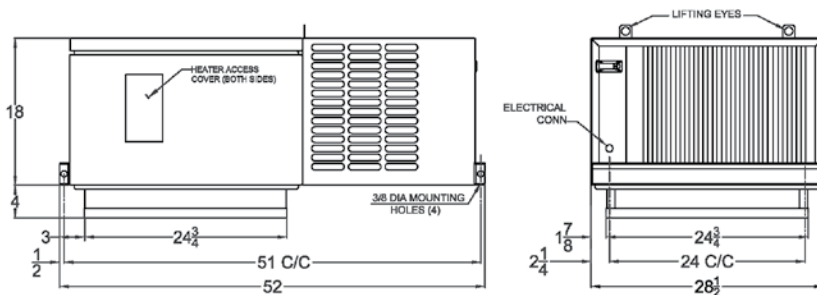


Department of Energy (DOE) Annual Walk-In Energy Factor (AWEF) Ratings

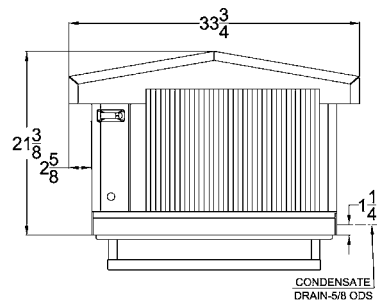
Medium Temp Models	AWEF	
	Outdoor	Indoor
XN026MA44	N/A	3.31
XN029MA44	N/A	3.38
XN037MA44	N/A	3.18
XN050MA44	N/A	4.57
XN068MA44	N/A	4.52
XN076MA44	N/A	4.90
XN106MA44	N/A	5.01
XN134MA44	N/A	5.17
XT050MA44	6.26	N/A
XT068MA44	6.23	N/A
XT076MA44	6.14	N/A
XT106MA44	6.37	N/A
XT134MA44	6.72	N/A

AWEF ratings for LowTemp models will be implemented in 2020.

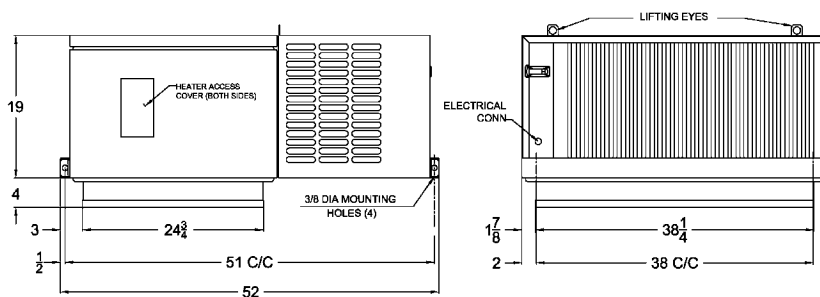
Medium Cabinet Size – Indoor



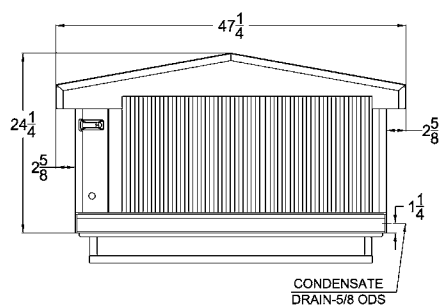
Medium – Outdoor



Large Cabinet Size – Indoor



– Outdoor



Due to continuing product development, specifications are subject to change without notice.



Witt

201 Thomas French Drive, Scottsboro, AL 35769 PHONE (256) 259-7400 FAX (256) 259-7478 witt.htpghusa.com