



Mini Twin Temp

Reach-In Unit Cooler



The MTW reach-in unit cooler is designed for use in hard to fit places. It's extremely low height allows for installation in areas with limited available space.

The MTW is well suited for under-counter refrigerators, reach-in back bars and other similar enclosures. Our specially formulated protective coil coating is optionally available for all MTW unit coolers.

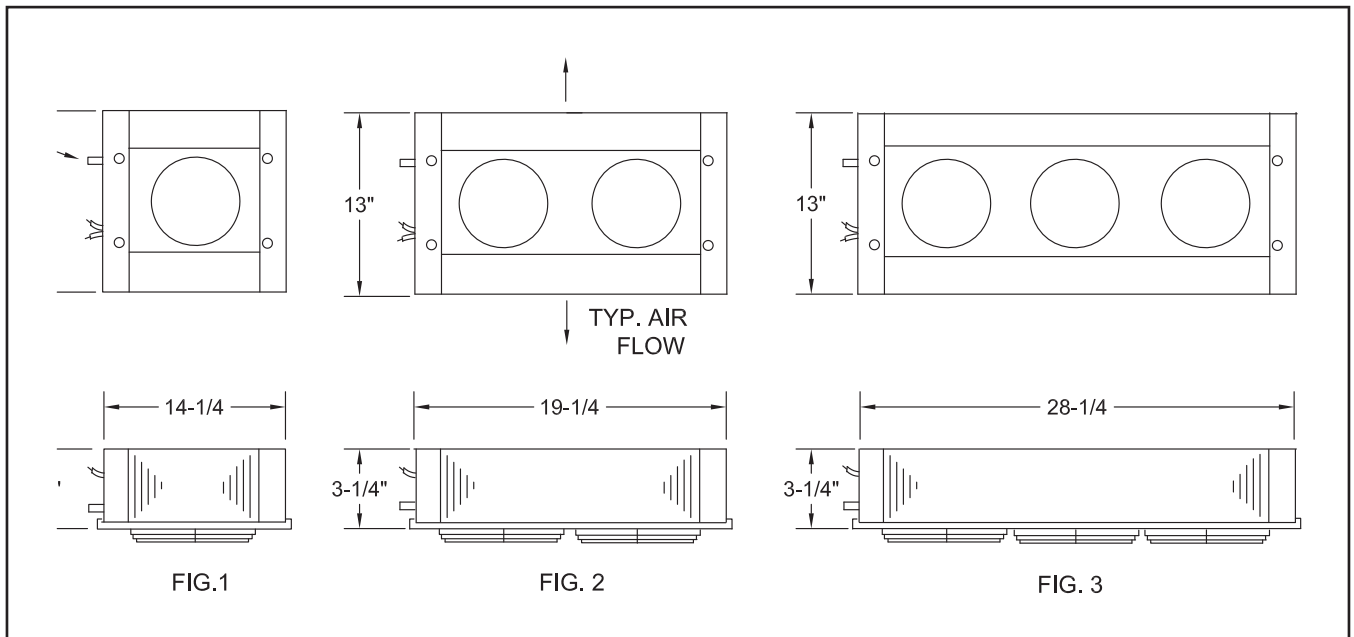


Reach-In Unit Cooler

Physical Data

MODEL NUMBER	CAPACITY (Btu/hr)			CFM	MOTOR			CONNECTIONS (in.)			FIG.	APPRX SHIP WT. (LBS)
	10°F TD	15°F TD	20°F TD		QTY	AMPS 115V	AMPS 230/1	LIQUID	SUCTION	DRAIN		
MTW18-8	800	1200	1600	200	1	.73	.37	1/2 F.N.	3/8 OD	1/2 OD	1	14
MTW28-13	1300	1950	2600	400	2	1.5	.75	1/2 F.N.	3/8 OD	1/2 OD	2	15
MTW28-18	1800	2700	3600	380	2	1.5	.75	1/2 F.N.	3/8 OD	1/2 OD	2	18
MTW38-27	2700	4050	5400	570	3	2.2	1.1	1/2 F.N.	3/8 OD	1/2 OD	3	23

* All dimensions are in inches.



Due to continuing product development, specifications are subject to change without notice.



Witt

201 Thomas French Drive, Scottsboro, AL 35769 PHONE (256) 259-7400 FAX (256) 259-7478 witt.htpgusa.com